



US00D860197S

(12) **United States Design Patent**
Fan et al.

(10) **Patent No.:** **US D860,197 S**
(45) **Date of Patent:** **** Sep. 17, 2019**

(54) **TABLET COMPUTER**

(71) Applicant: **LENOVO (BEIJING) CO., LTD.**,
Beijing (CN)

(72) Inventors: **Jianming Fan**, Beijing (CN); **Lijun Wang**, Beijing (CN)

(73) Assignee: **Lenovo (Beijing) Co., Ltd.**, Beijing (CN)

(**) Term: **15 Years**

(21) Appl. No.: **29/579,629**

(22) Filed: **Sep. 30, 2016**

Related U.S. Application Data

(62) Division of application No. 29/469,331, filed on Oct. 9, 2013, now abandoned.

(30) **Foreign Application Priority Data**

Apr. 9, 2013 (CN) 2013 3 0104790

May 30, 2013 (CN) 2013 3 0218040

(51) **LOC (12) Cl.** **14-02**

(52) **U.S. Cl.**
USPC **D14/341**

(58) **Field of Classification Search**
USPC D14/341-347, 137, 138 R, 138 AA,
D14/138 C, 138 G, 496, 203.1, 203.3,
(Continued)

(56) **References Cited**

U.S. PATENT DOCUMENTS

4,326,727 A * 4/1982 Rock B62D 25/18
248/316.7

D303,111 S 8/1989 Paley
(Continued)

FOREIGN PATENT DOCUMENTS

CN 3660208 6/2007
CN 301167093 3/2010

(Continued)

OTHER PUBLICATIONS

Lenovo Yoga Tablet 8 review, announced Oct. 30, 2013 [online].
[retrieved Nov. 27, 2018]. Available from Internet, URL: <<https://www.digitaltrends.com/tablet-reviews/lenovo-yoga-tablet-8-review/#/9>> (Year: 2013).*

(Continued)

Primary Examiner — Barbara Fox

Assistant Examiner — Dana K Weiland

(74) *Attorney, Agent, or Firm* — Oppedahl Patent Law Firm LLC

(57) **CLAIM**

The ornamental design for a tablet computer, as shown and described.

DESCRIPTION

FIG. 1 is a front view of a tablet computer showing our new design in a first embodiment;

FIG. 2 is a back view thereof;

FIG. 3 is a partially enlarged view of a circled portion in FIG. 2;

FIG. 4 is another partially enlarged view of a circled portion in FIG. 2;

FIG. 5 is a top view of the tablet computer;

FIG. 6 is a bottom view thereof;

FIG. 7 is a left side view thereof;

FIG. 8 is a right side view thereof;

FIG. 9 is a partially enlarged view of a circled portion in FIG. 8;

FIG. 10 is another partially enlarged view of a circled portion in FIG. 8;

FIG. 11 is a front view of a tablet computer showing our new design in a second embodiment;

FIG. 12 is a back view thereof;

FIG. 13 is a top view thereof;

(Continued)

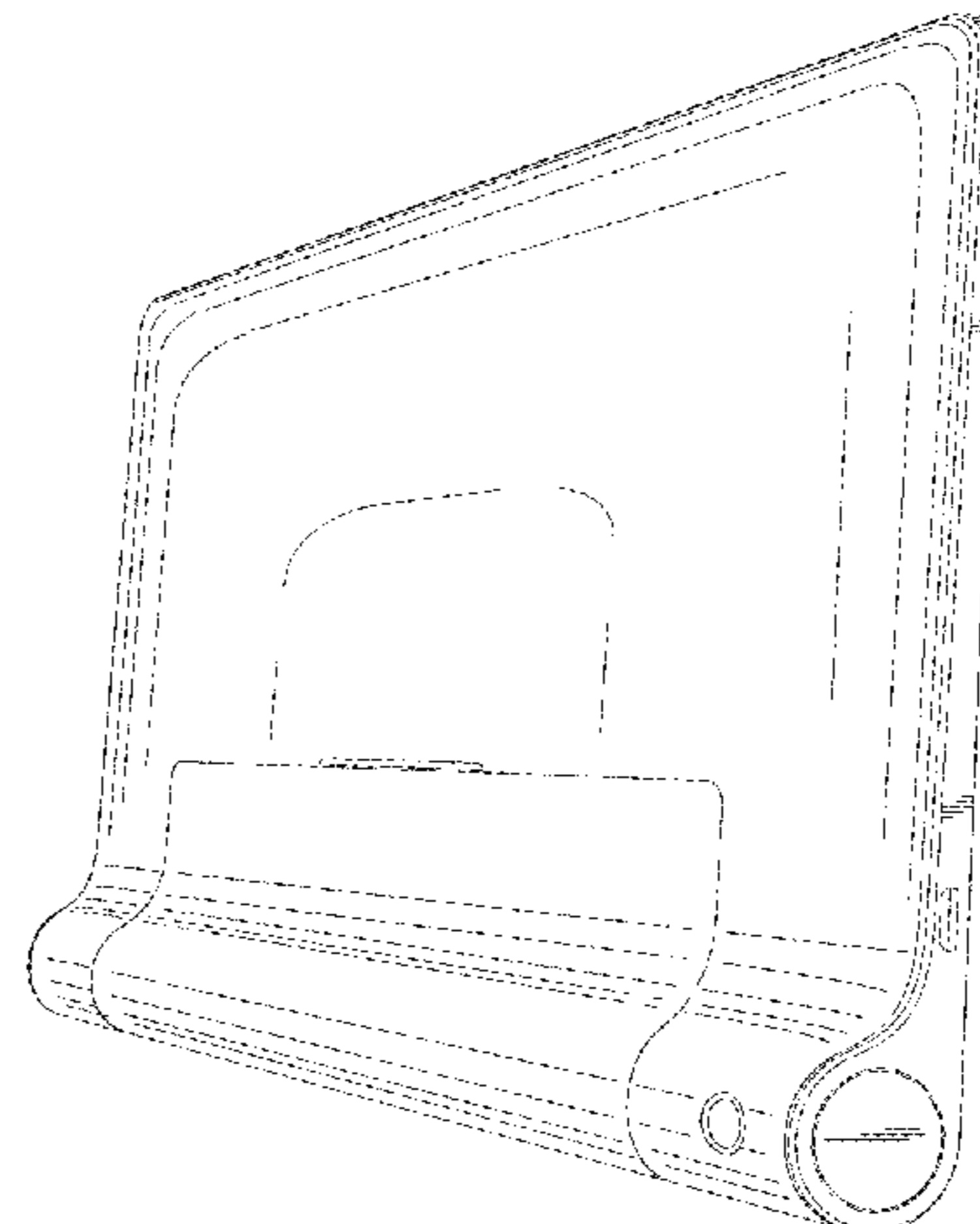
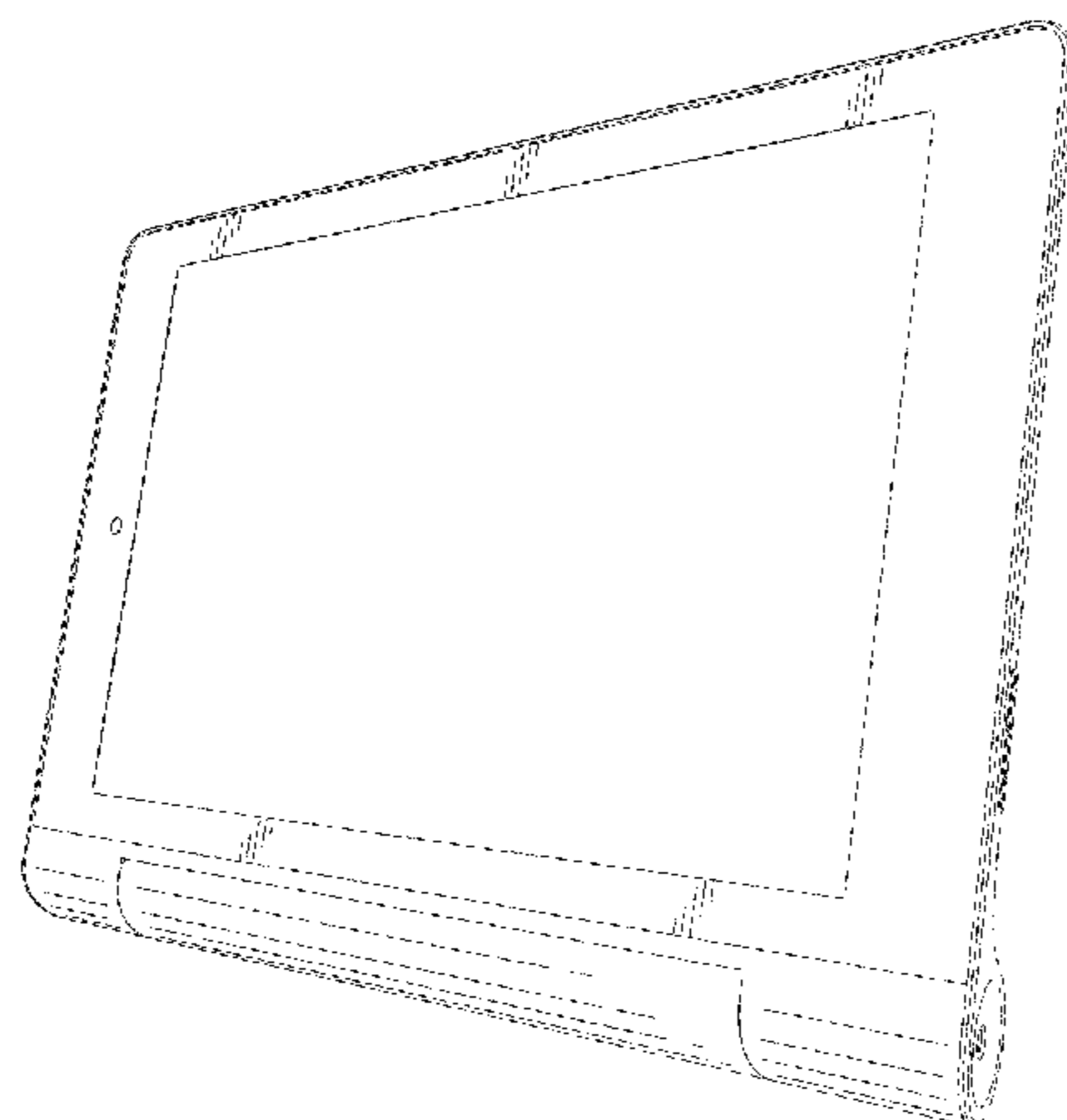


FIG. 14 is a bottom view thereof;
 FIG. 15 is a left side view thereof;
 FIG. 16 is a right side view thereof;
 FIG. 17 is a front perspective view thereof; and,
 FIG. 18 is a back perspective view thereof.
 The broken lines encircling portions of FIGS. 2 and 8 are for the purpose of illustrating a partially enlarged view and form no part of the claimed design.

1 Claim, 7 Drawing Sheets

(58) Field of Classification Search

USPC D14/203.4, 203.7, 129, 130, 147, 218,
 D14/247, 248, 250, 374, 385, 388, 389,
 D14/315–318, 420, 426, 439; D10/65,
 D10/104.1; D21/324, 329, 330, 332;
 455/556.1, 556.2, 566, 575.1, 90.3;
 379/433.04, 433.01, 433.06, 916;
 345/173, 901, 905; 361/679.26, 679.27,
 361/679.3, 679.55, 679.56; D6/308, 310;
 463/37; 248/917–924; 348/376;
 D19/26, 59–60
 CPC A63H 33/3016; G06F 1/1613; H04M
 1/0202; H04M 1/0279; H04M 1/0281;
 H04M 1/0283

See application file for complete search history.

(56) References Cited

U.S. PATENT DOCUMENTS

D310,543	S	9/1990	Brown	
D436,951	S	1/2001	Andresen	
D483,361	S *	12/2003	Yao	D14/341
D506,767	S	6/2005	Imai	
D530,732	S *	10/2006	Tanaka	D16/202
D566,181	S	4/2008	Gerules	
D605,635	S	12/2009	Edahiro	
D612,081	S *	3/2010	Ding	D26/37
D614,602	S	4/2010	Yoo	
D624,539	S	9/2010	Tsai	
D633,149	S *	2/2011	Parshad	D19/91
D643,842	S	8/2011	Marshall	
D656,137	S	3/2012	Chung	
D659,693	S	5/2012	TerMeer	
D664,144	S	7/2012	Akana	
D667,404	S	9/2012	Akana	
8,289,688	B2	10/2012	Behar	
8,295,039	B2	10/2012	Cheng	
D671,919	S *	12/2012	Kim	D14/218
8,379,382	B2	2/2013	Marshall	
D690,692	S	10/2013	Shin	
D691,132	S	10/2013	Sharma	
D699,696	S *	2/2014	Kim	D14/126
D703,133	S	4/2014	Ireland	
D707,211	S	6/2014	Ho	
D735,921	S *	8/2015	Khayat	D26/37

9,125,289	B2 *	9/2015	Vahid	G06F 1/1632
D743,485	S *	11/2015	deBretton Gordon	D19/91
9,244,496	B2 *	1/2016	Sharma	G06F 1/1654
D749,508	S *	2/2016	Ireland	D13/108
9,329,636	B2 *	5/2016	Ning	G06F 1/166
D761,201	S *	7/2016	Ireland	D13/108
D765,654	S *	9/2016	Fan	D14/336
D782,470	S *	3/2017	Raken	D14/341
D782,471	S *	3/2017	Nuk	D14/341
D792,392	S *	7/2017	Sharma	D14/341
D794,629	S *	8/2017	Jiang	D14/341
D797,721	S *	9/2017	Fan	D14/341
9,753,497	B2 *	9/2017	Tian	G06F 1/166
D799,475	S *	10/2017	Fan	D14/341
D813,227	S *	3/2018	Lin	D14/341
D816,666	S *	5/2018	Jiang	D14/341
D823,303	S *	7/2018	Jiang	D14/345
D824,898	S *	8/2018	Xu	D14/341
2006/0250767	A1 *	11/2006	Brophy	G06F 1/1632 361/679.45
2007/0113440	A1	5/2007	Asvadi	
2007/0241002	A1	10/2007	Wu	
2008/0212271	A1	9/2008	Misawa	
2012/0106047	A1	5/2012	Chu	
2015/0055012	A1 *	2/2015	Zheng	G06F 1/1601 348/373
2015/0055285	A1 *	2/2015	Zheng	G06F 1/1656 361/679.26
2015/0378399	A1 *	12/2015	Grinstead	G06F 1/1681 361/679.09
2016/0054756	A1 *	2/2016	Lan	G03B 21/145 353/101
2016/0077550	A1 *	3/2016	Zhang	G06F 1/1643 715/765
2016/0191876	A1 *	6/2016	Zhang	G06F 1/16 348/745
2016/0266478	A1 *	9/2016	Jiang	G03B 29/00

FOREIGN PATENT DOCUMENTS

CN	301216847	S	5/2010
CN	301271732	S	6/2010
CN	301347956	S	9/2010
CN	301605140	S	7/2011
CN	302063759	S	9/2012
CN	302190209	S	11/2012
JP	D2012-15691		3/2013
KR	3020120041604		2/2013
KR	3020120060488		3/2013

OTHER PUBLICATIONS

Apple Magic Trackpad, announced Jul. 27, 2010 [online], [retrieved Dec. 10, 2018]. Available from Internet, URL: <<https://www.amazon.com/Apple-Trackpad-Compatible-Desktop-Computer/dp/B003XI3MW>> (Year: 2010).*

Lenovo Yoga Tablet 8 review, announced Mar. 24, 2014 [online], [retrieved Dec. 10, 2018]. Available from Internet, URL: <<https://gadgets.ndtv.com/tablets/reviews/lenovo-yoga-tablet-8-review-499206>> (Year: 2014).*

* cited by examiner

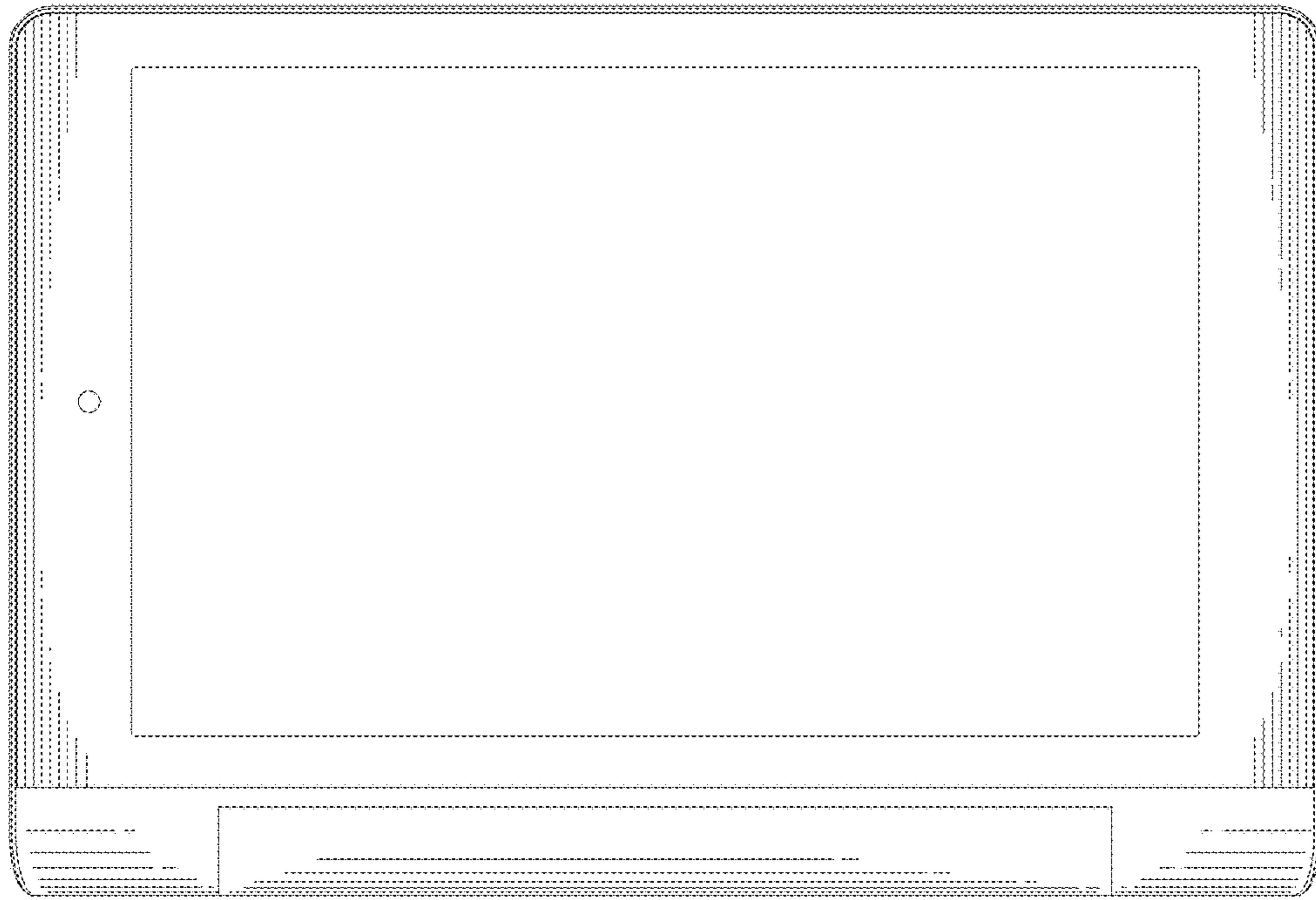


Fig. 1

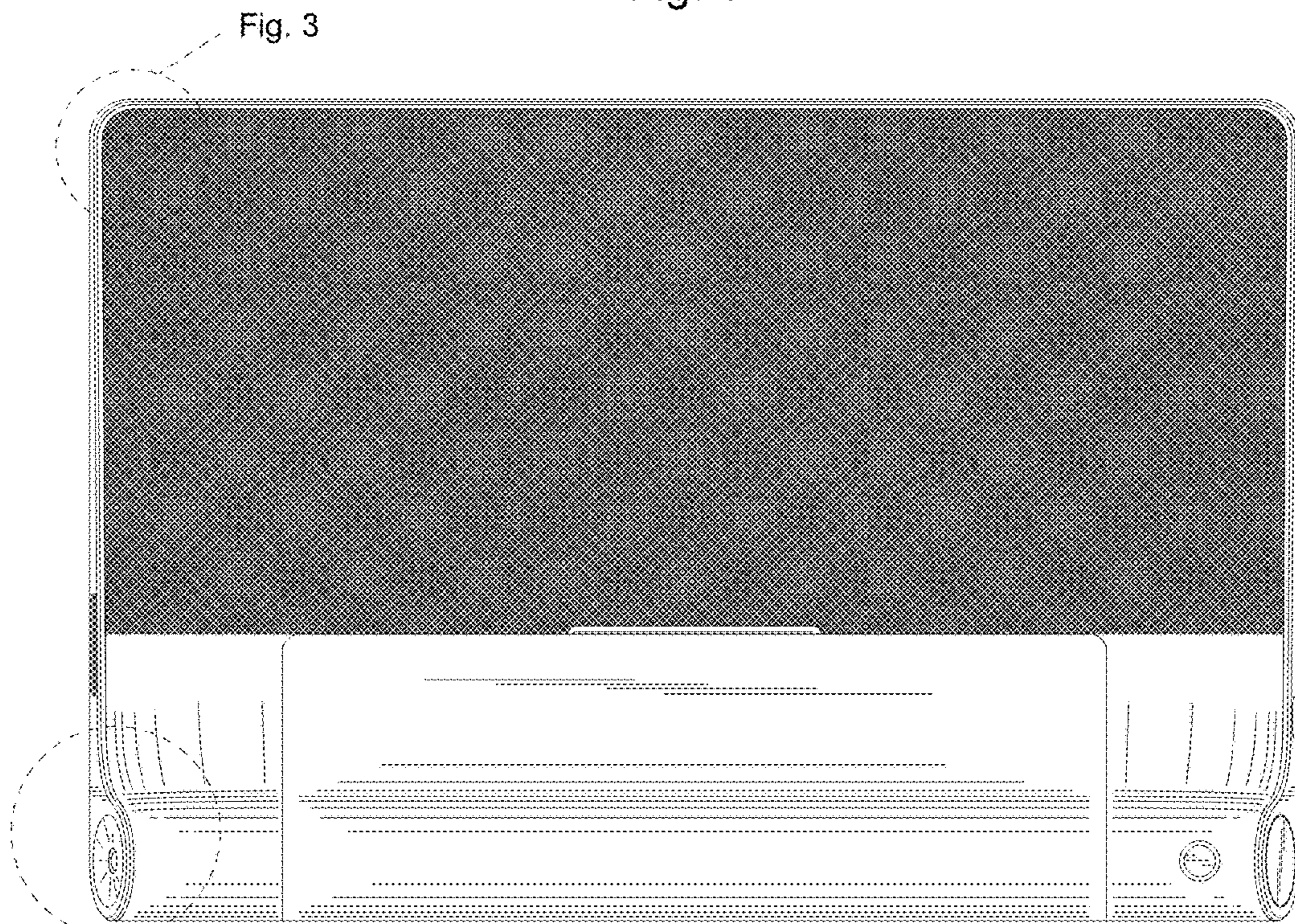


Fig. 3

Fig. 2

Fig. 4

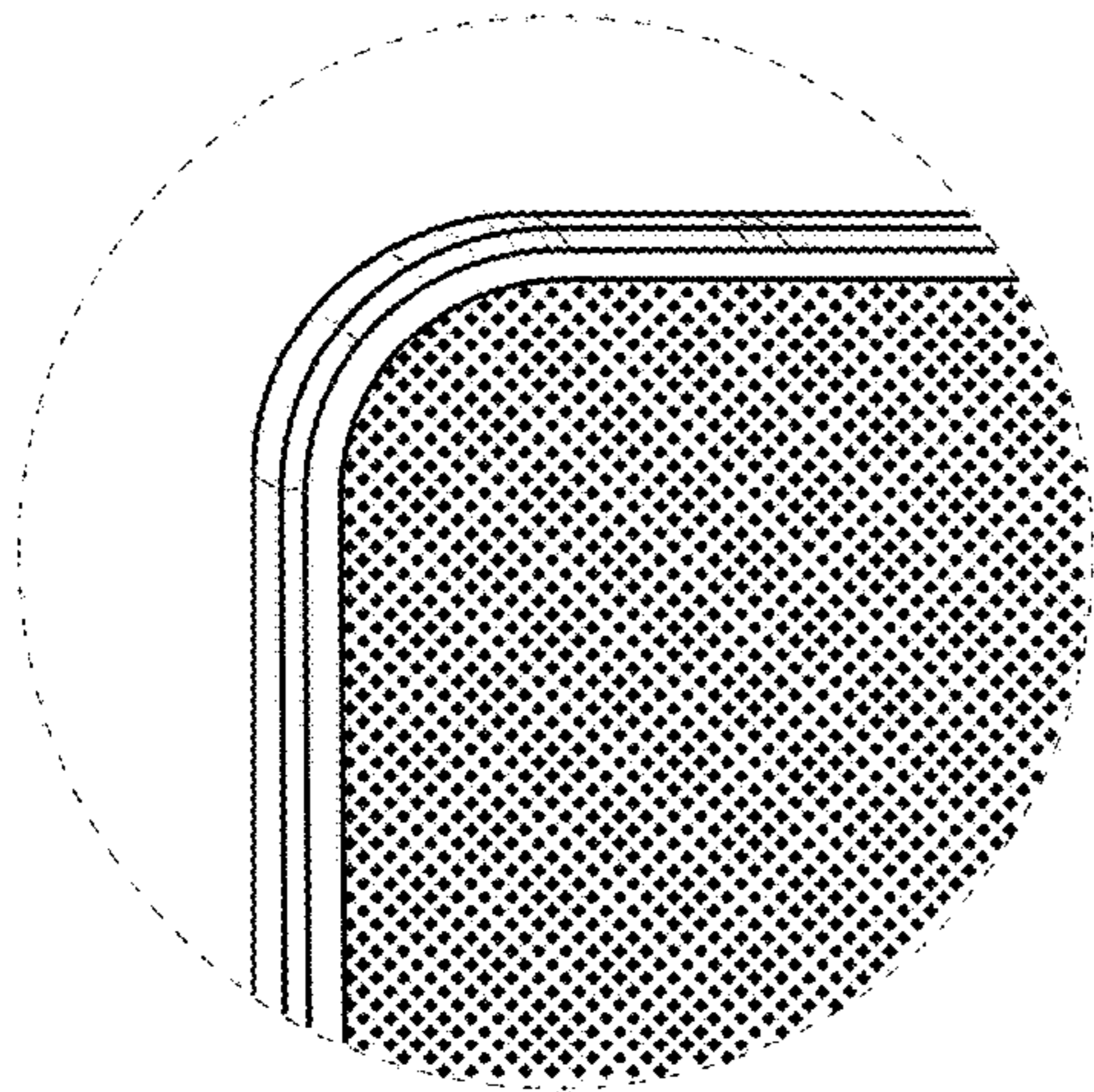


Fig. 3

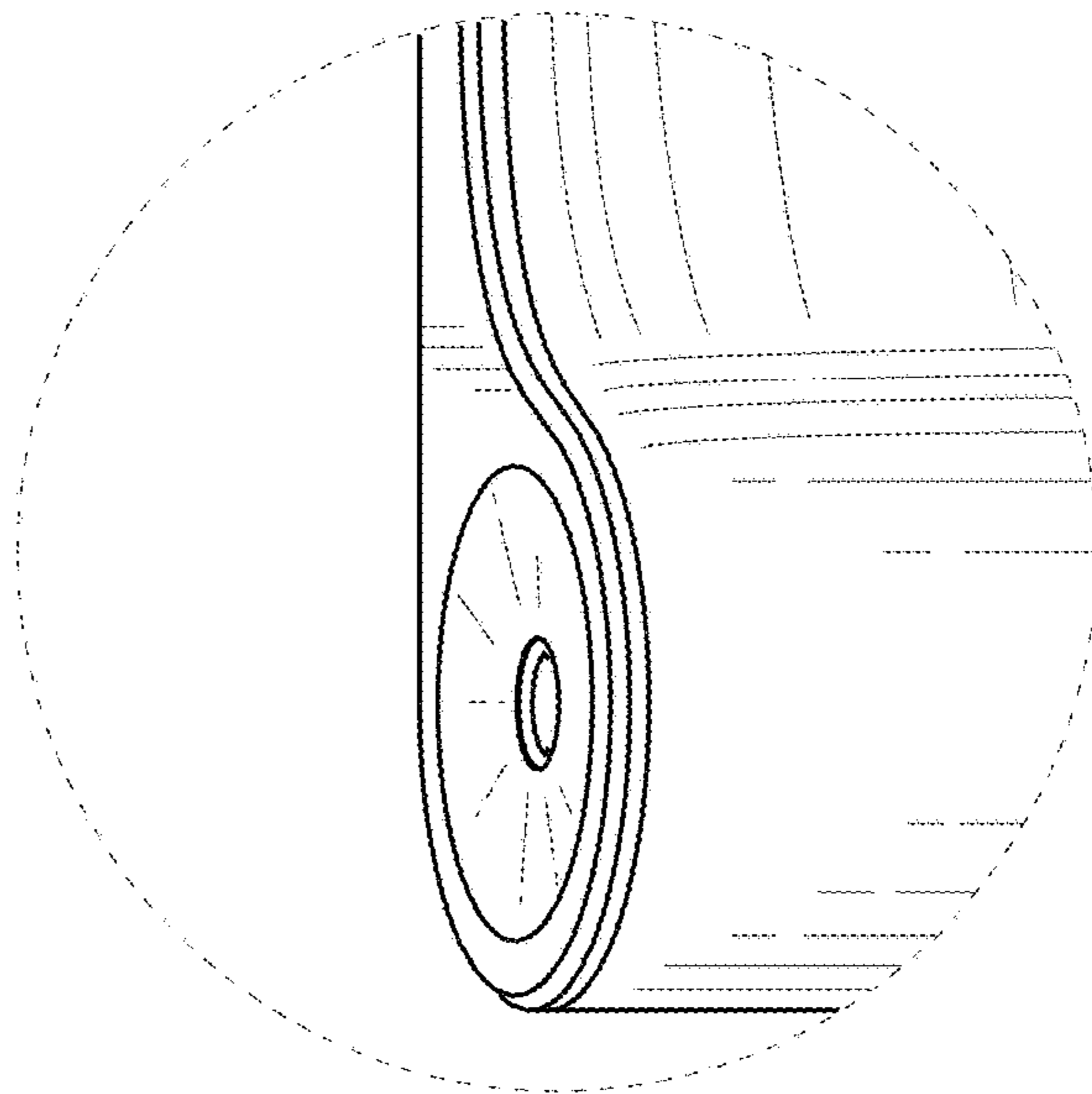


Fig. 4

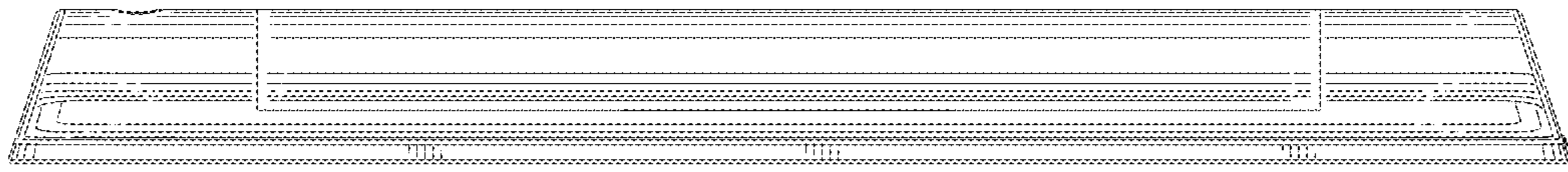


Fig. 5

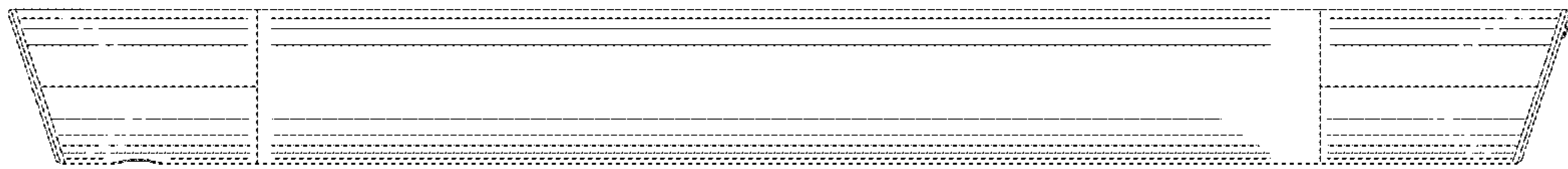


Fig. 6

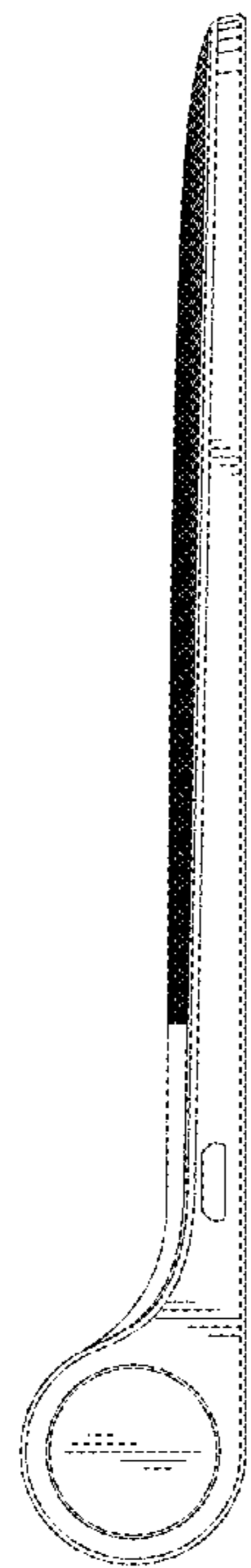


Fig. 7

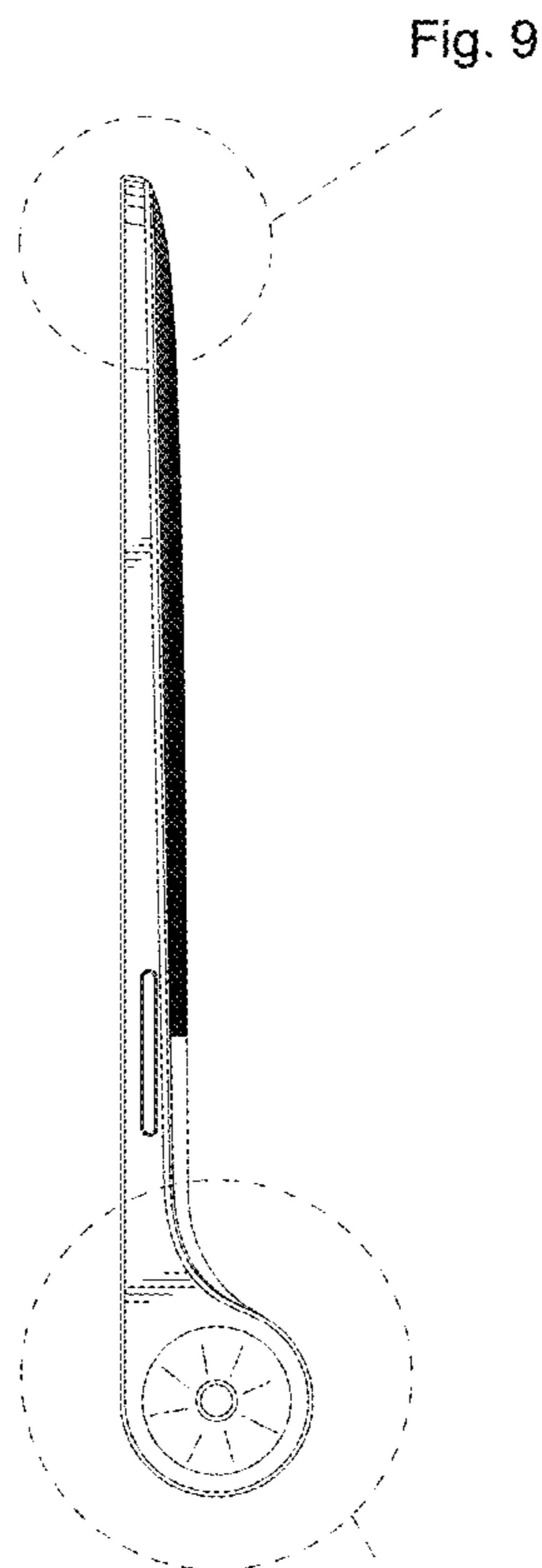


Fig. 8

Fig. 10

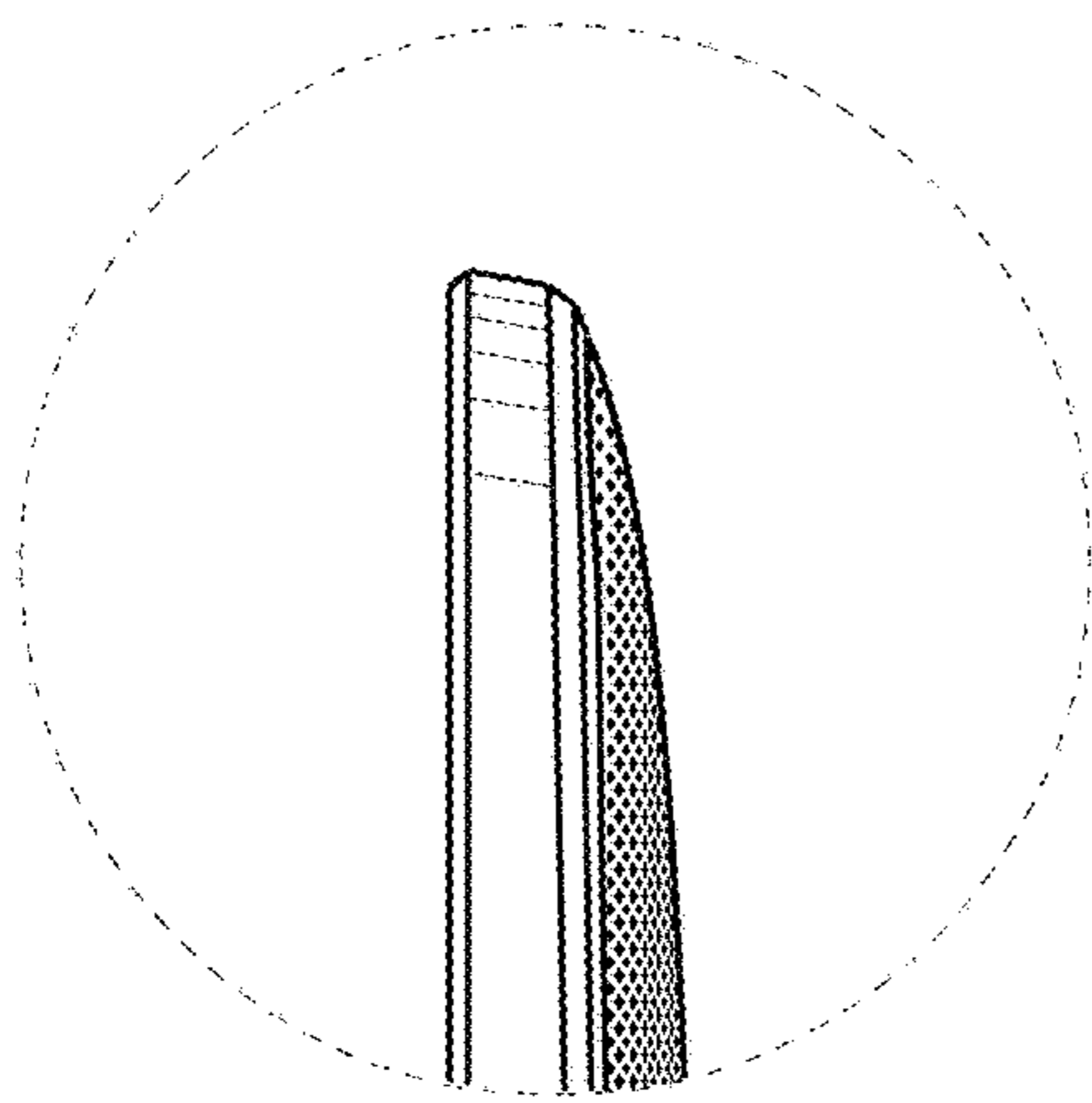


Fig.9

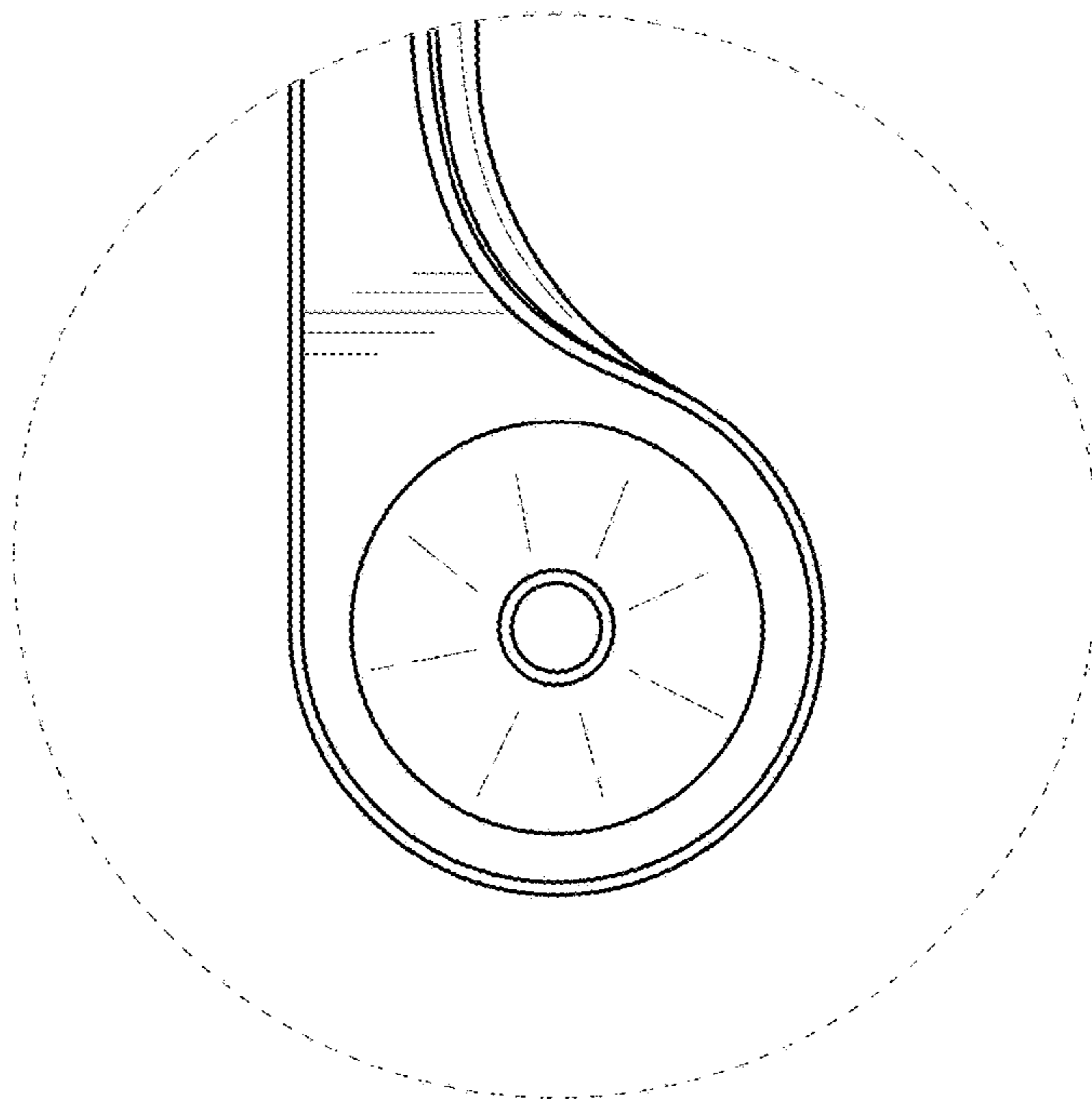


Fig.10

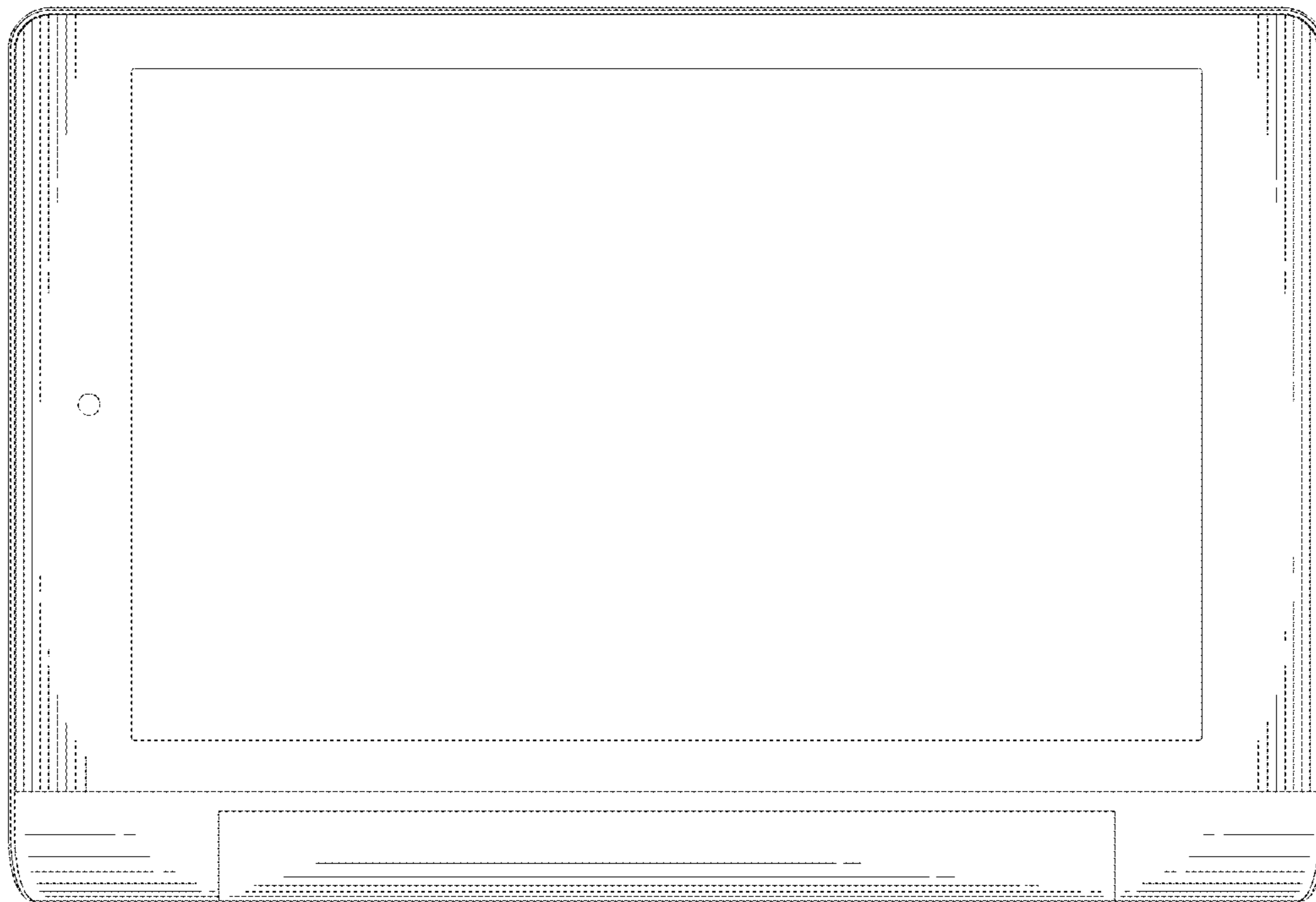


Fig. 11

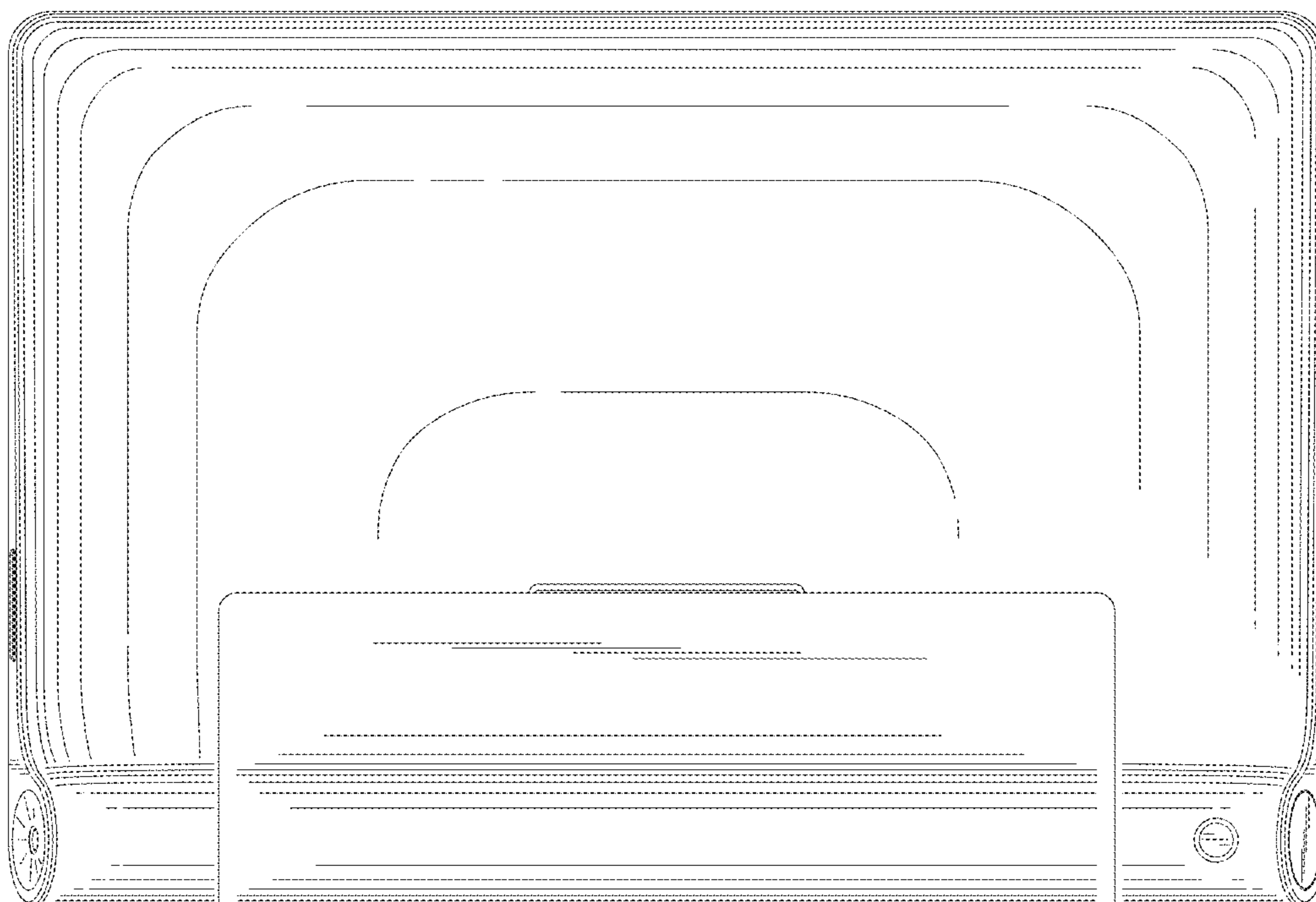


Fig. 12

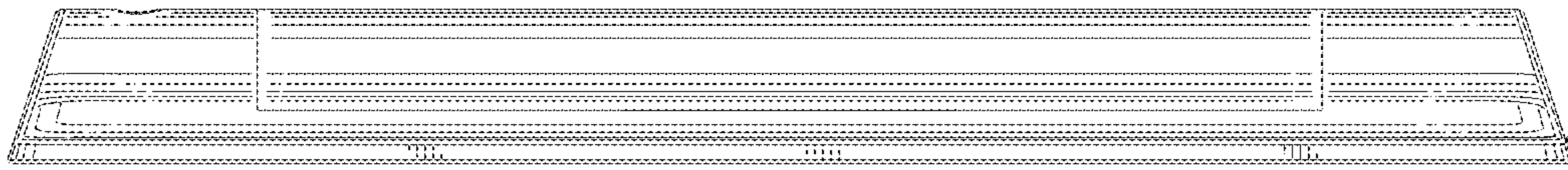


Fig. 13

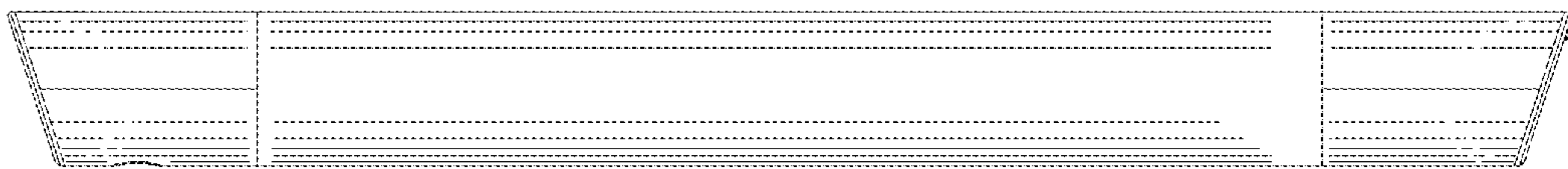


Fig. 14

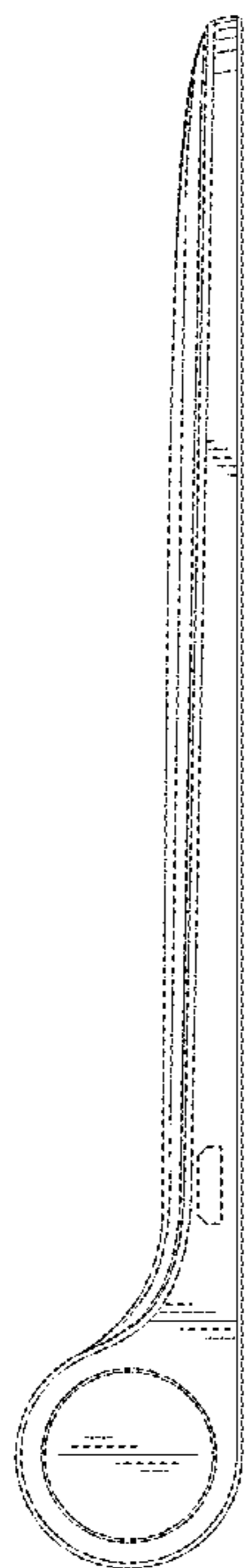


Fig. 15

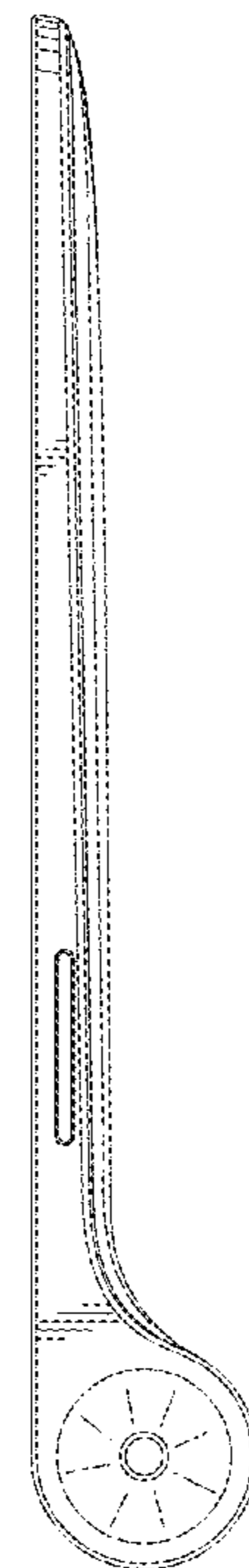


Fig. 16

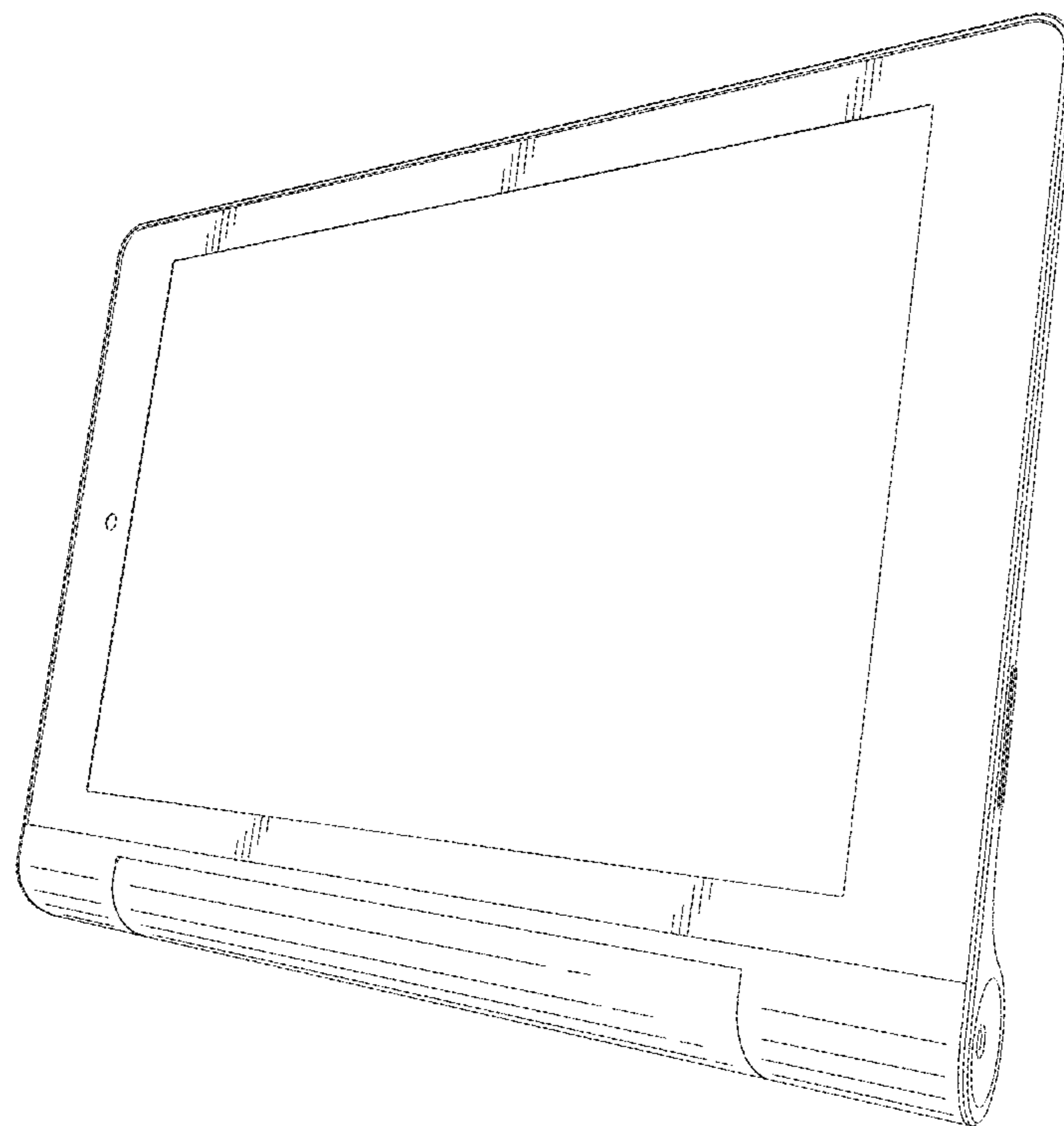


Fig. 17

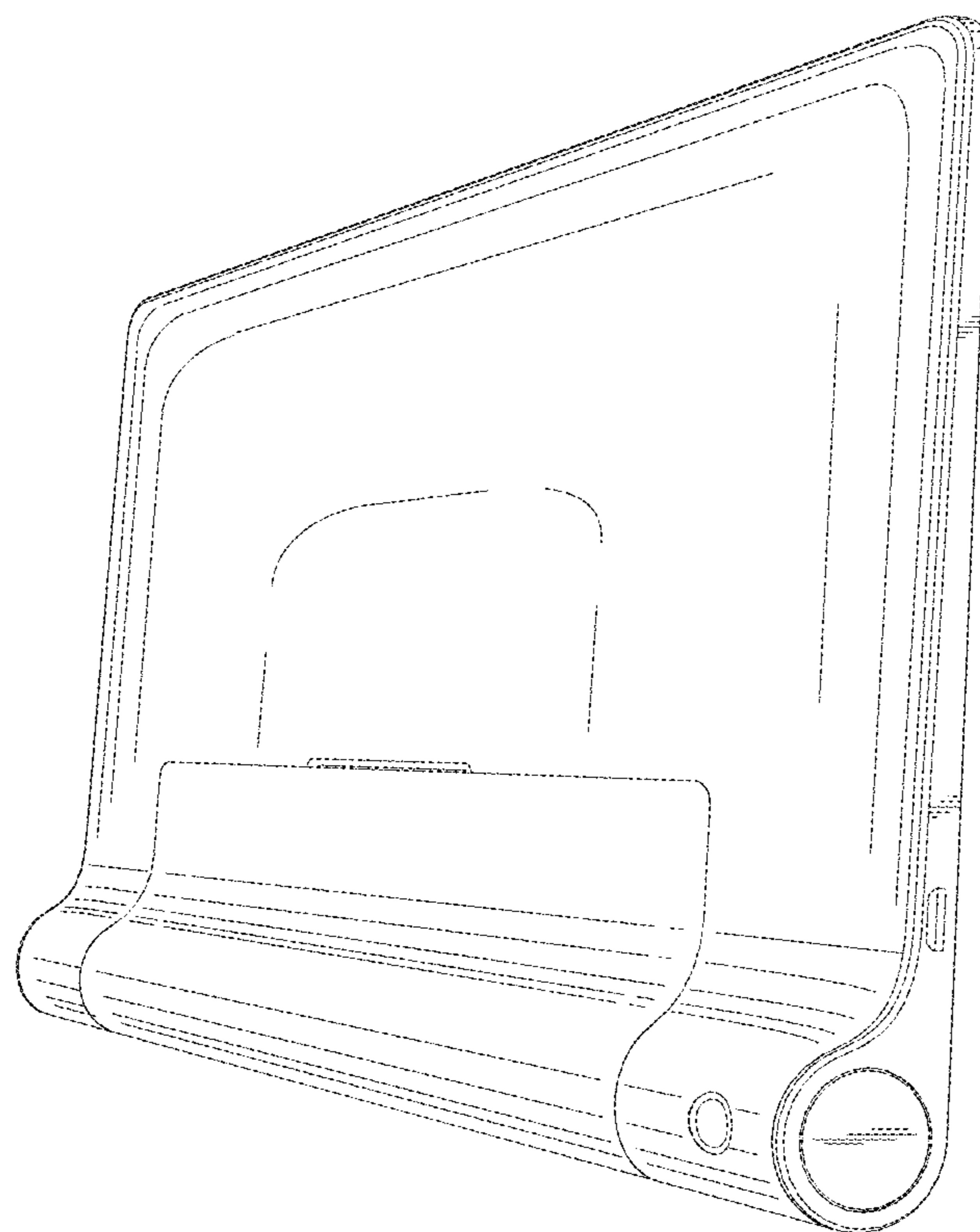


Fig. 18