



US00D860196S

(12) **United States Design Patent**  
**Fan et al.**

(10) **Patent No.: US D860,196 S**  
(45) **Date of Patent: \*\* Sep. 17, 2019**

(54) **TABLET COMPUTER**

FOREIGN PATENT DOCUMENTS

(71) Applicant: **LENOVO (BEIJING) CO., LTD.**,  
Beijing (CN)

CN 3660208 6/2007  
CN 301167093 3/2010

(Continued)

(72) Inventors: **Jianming Fan**, Beijing (CN); **Lijun Wang**, Beijing (CN)

OTHER PUBLICATIONS

(73) Assignee: **Lenovo (Beijing) Co., Ltd.**, Beijing (CN)

Lenovo Yoga Tablet 8 review, announced Oct. 30, 2013 [online]. [retrieved Nov. 27, 2018]. Available from Internet, URL: <<https://www.digitaltrends.com/tablet-reviews/lenovo-yoga-tablet-8-review/#/9>> (Year: 2013).\*

(\*\*) Term: **15 Years**

(Continued)

(21) Appl. No.: **29/579,625**

*Primary Examiner* — Barbara Fox  
*Assistant Examiner* — Dana K Weiland

(22) Filed: **Sep. 30, 2016**

(74) *Attorney, Agent, or Firm* — Oppedahl Patent Law Firm LLC

**Related U.S. Application Data**

(62) Division of application No. 29/469,332, filed on Oct. 9, 2013, now abandoned.

(57) **CLAIM**

The ornamental design for a tablet computer, as shown and described.

**Foreign Application Priority Data**

(30) Apr. 9, 2013 (CN) ..... 2013 3 0104790  
Sep. 2, 2013 (CN) ..... 2013 3 0424818

**DESCRIPTION**

(51) **LOC (12) Cl.** ..... **14-02**

(52) **U.S. Cl.**  
USPC ..... **D14/341**

(58) **Field of Classification Search**  
USPC ..... D14/341–347, 137, 138 R, 138 AA, D14/138 C, 138 G, 496, 203.1, 203.3,  
(Continued)

FIG. 1 is a front view of a tablet computer showing our new design in a first embodiment;  
FIG. 2 is a back view thereof;  
FIG. 3 is a top view thereof;  
FIG. 4 is a bottom view thereof;  
FIG. 5 is a right side view thereof;  
FIG. 6 is a left side view thereof;  
FIG. 7 is a back perspective view thereof;  
FIG. 8 is a front perspective view thereof;  
FIG. 9 is a top perspective view of the tablet computer in an alternate position;  
FIG. 10 is a bottom perspective view thereof;  
FIG. 11 is a front view of a tablet computer showing our new design in a second embodiment;  
FIG. 12 is a back view thereof;  
FIG. 13 is a bottom view thereof;  
FIG. 14 is a top view thereof;  
FIG. 15 is a right side view thereof;  
FIG. 16 is a left side view thereof;

(56) **References Cited**

**U.S. PATENT DOCUMENTS**

4,326,727 A \* 4/1982 Rock ..... B62D 25/18  
248/316.7

D303,111 S 8/1989 Paley  
(Continued)

(Continued)

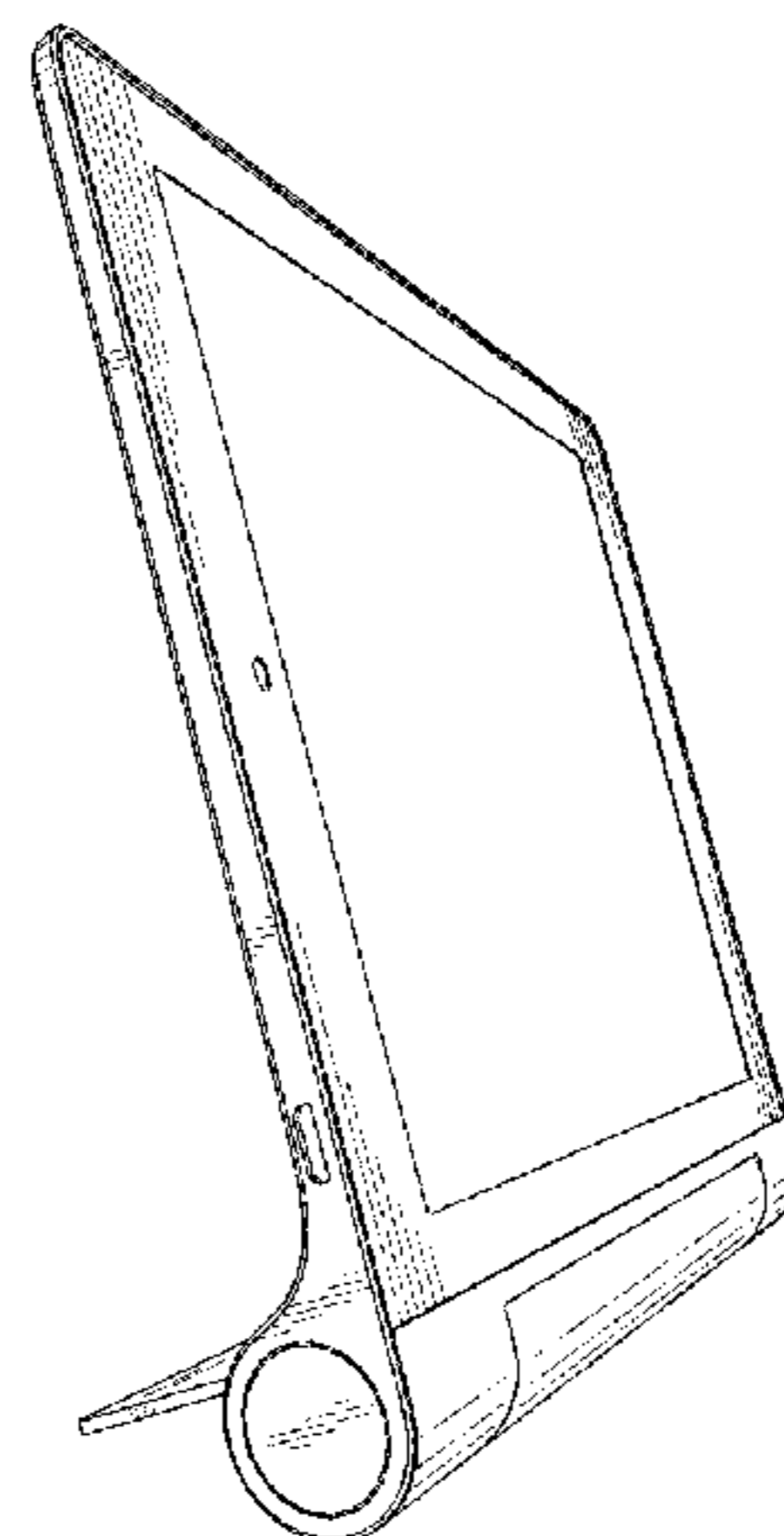
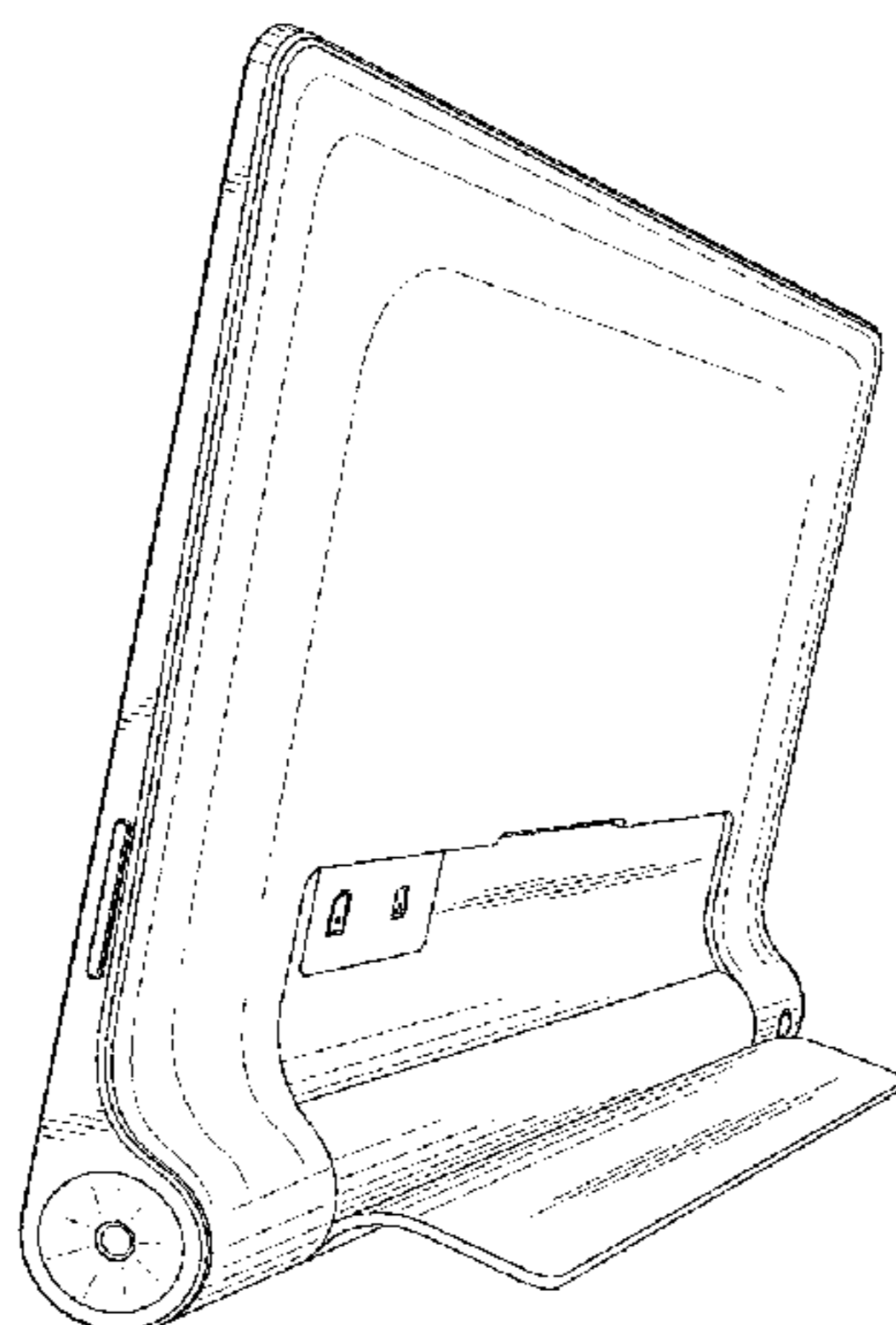


FIG. 17 is a front perspective view thereof; and, FIG. 18 is a back perspective view thereof.

**1 Claim, 11 Drawing Sheets**

**(58) Field of Classification Search**

USPC ..... D14/203.4, 203.7, 129, 130, 147, 218, D14/247, 248, 250, 374, 385, 388, 389, D14/315–318, 420, 426, 439; D10/65, D10/104.1; D21/324, 329, 330, 332; 455/556.1, 556.2, 566, 575.1, 90.3; 379/433.04, 433.01, 433.06, 916; 345/173, 901, 905; 361/679.26, 679.27, 361/679.3, 679.55, 679.56; D6/308, 310; 463/37; 248/917–924; 348/376; D19/26, 59–60  
CPC ..... A63H 33/3016; G06F 1/1613; H04M 1/0202; H04M 1/0279; H04M 1/0281; H04M 1/0283

See application file for complete search history.

**(56) References Cited**

**U.S. PATENT DOCUMENTS**

D310,543	S	9/1990	Brown	
D436,951	S	1/2001	Andresen	
D483,361	S *	12/2003	Yao	D14/341
D506,767	S	6/2005	Imai	
D530,732	S *	10/2006	Tanaka	D16/202
D566,181	S	4/2008	Gerules	
D605,635	S	12/2009	Edahiro	
D612,081	S *	3/2010	Ding	D26/37
D614,602	S	4/2010	Yoo	
D624,539	S	9/2010	Tsai	
D633,149	S *	2/2011	Parshad	D19/91
D643,842	S	8/2011	Marshall	
D656,137	S	3/2012	Chung	
D659,693	S	5/2012	TerMeer	
D664,144	S	7/2012	Akana	
D667,404	S	9/2012	Akana	
8,289,688	B2	10/2012	Behar	
8,295,039	B2	10/2012	Cheng	
D671,919	S *	12/2012	Kim	D14/218
8,379,382	B2	2/2013	Marshall	
D690,692	S	10/2013	Shin	
D691,132	S	10/2013	Sharma	
D699,696	S *	2/2014	Kim	D14/126
D703,133	S	4/2014	Ireland et al.	
D707,211	S	6/2014	Ho et al.	
D735,921	S *	8/2015	Khayat	D26/37
9,125,289	B2 *	9/2015	Vahid	G06F 1/1632
D743,485	S *	11/2015	deBretton Gordon	D19/91
9,244,496	B2 *	1/2016	Sharma	G06F 1/1654
D749,508	S *	2/2016	Ireland	D13/108

9,329,636	B2 *	5/2016	Ning	G06F 1/166
D761,201	S *	7/2016	Ireland	D13/108
D765,654	S *	9/2016	Fan	D14/336
D782,470	S *	3/2017	Raken	D14/341
D782,471	S *	3/2017	Nuk	D14/341
D792,392	S *	7/2017	Sharma	D14/341
D794,629	S *	8/2017	Jiang	D14/341
D797,721	S *	9/2017	Fan	D14/341
9,753,497	B2 *	9/2017	Tian	G06F 1/166
D799,475	S *	10/2017	Fan	D14/341
D813,227	S *	3/2018	Lin	D14/341
D816,666	S *	5/2018	Jiang	D14/341
D823,303	S *	7/2018	Jiang	D14/345
D824,898	S *	8/2018	Xu	D14/341
2006/0250767	A1 *	11/2006	Brophy	G06F 1/1632 361/679.45
2007/0113440	A1	5/2007	Asvadi	
2007/0241002	A1	10/2007	Wu	
2008/0212271	A1	9/2008	Misawa	
2012/0106047	A1	5/2012	Chu	
2015/0055012	A1 *	2/2015	Zheng	G06F 1/1601 348/373
2015/0055285	A1 *	2/2015	Zheng	G06F 1/1656 361/679.26
2015/0378399	A1 *	12/2015	Grinstead	G06F 1/1681 361/679.09
2016/0054756	A1 *	2/2016	Lan	G03B 21/145 353/101
2016/0077550	A1 *	3/2016	Zhang	G06F 1/1643 715/765
2016/0191876	A1 *	6/2016	Zhang	G06F 1/16 348/745
2016/0266478	A1 *	9/2016	Jiang	G03B 29/00

**FOREIGN PATENT DOCUMENTS**

CN	301216847	S	5/2010
CN	301271732	S	6/2010
CN	301347956	S	9/2010
CN	301605140	S	7/2011
CN	302063759	S	9/2012
CN	302190209	S	11/2012
JP	D2012-15691		3/2013
KR	3020120041604		2/2013
KR	3020120060488		3/2013

**OTHER PUBLICATIONS**

Apple Magic Trackpad, announced Jul. 27, 2010 [online], [retrieved Dec. 10, 2018]. Available from Internet, URL: <<https://www.amazon.com/Apple-Trackpad-Compatible-Desktop-Computer/dp/B003XIJ3MW>> (Year: 2010).\*

Lenovo Yoga Tablet 8 review, announced Mar. 24, 2014 [online], [retrieved Dec. 10, 2018]. Available from Internet, URL: <<https://gadgets.ndtv.com/tablets/reviews/lenovo-yoga-tablet-8-review-499206>> (Year: 2014).\*

\* cited by examiner

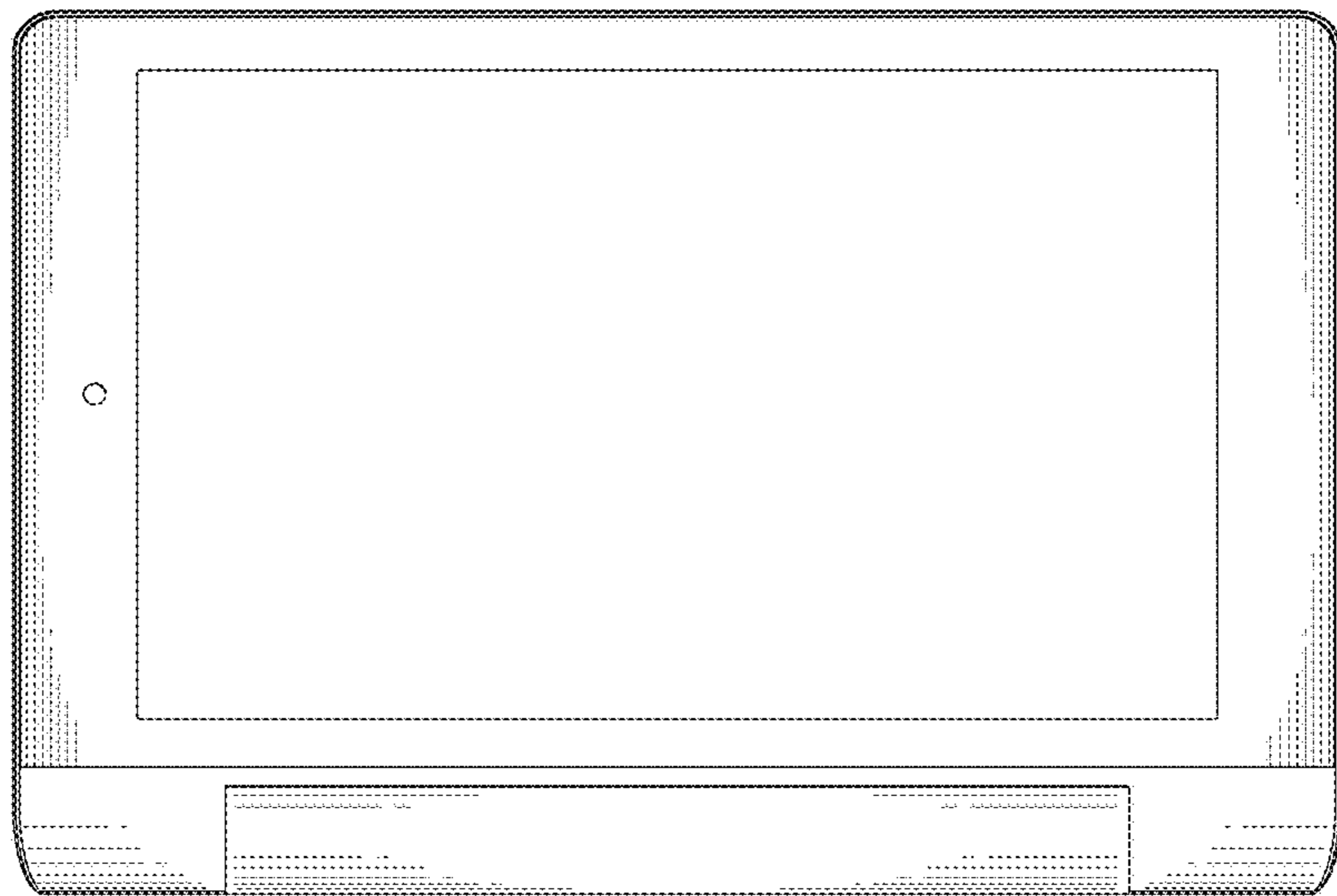


Fig. 1

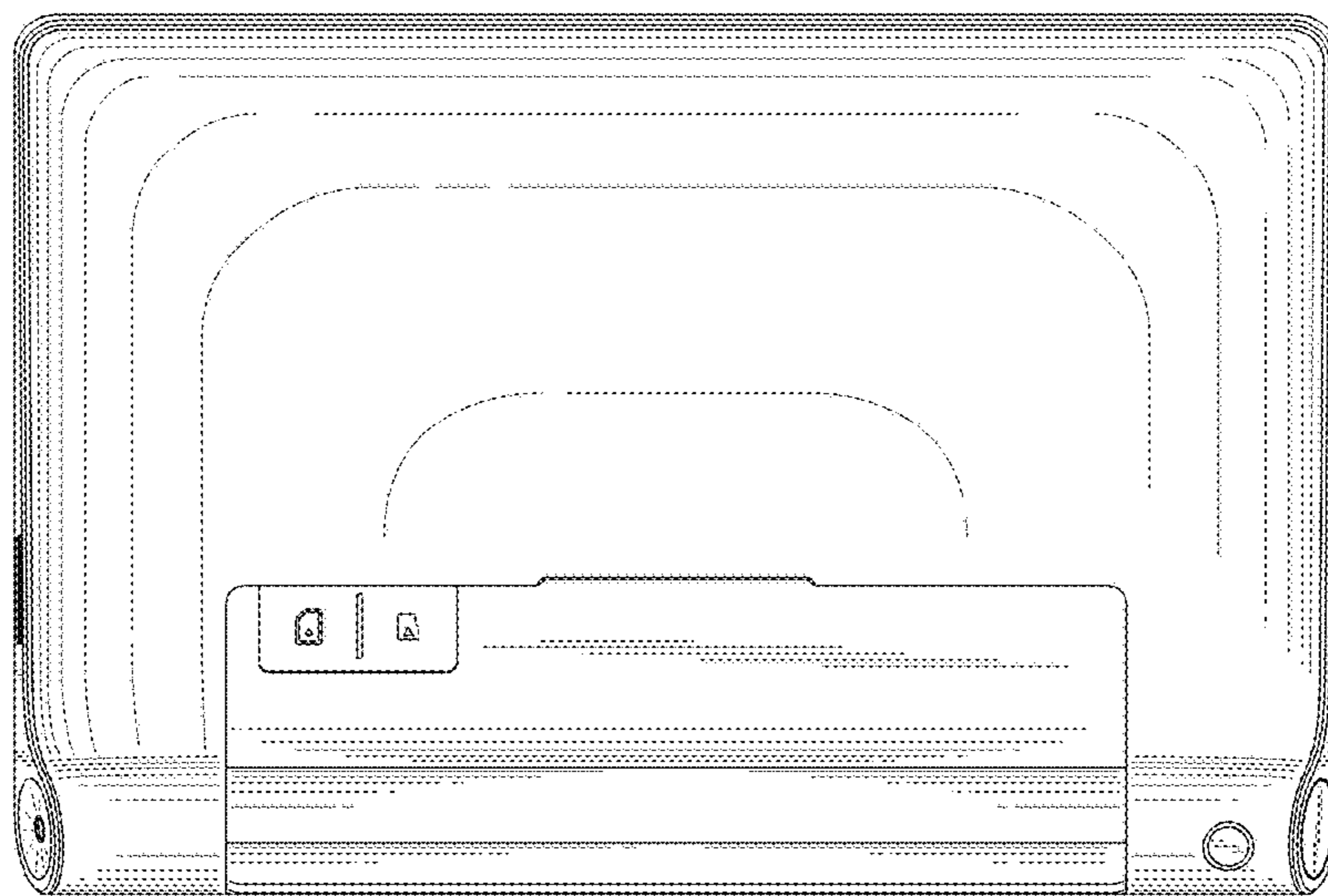


Fig. 2

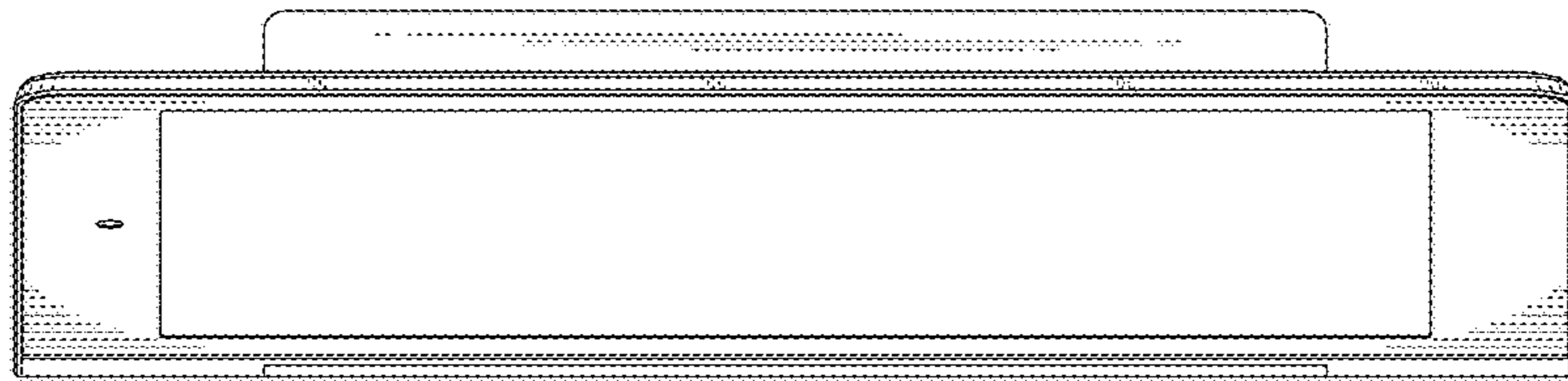


Fig. 3

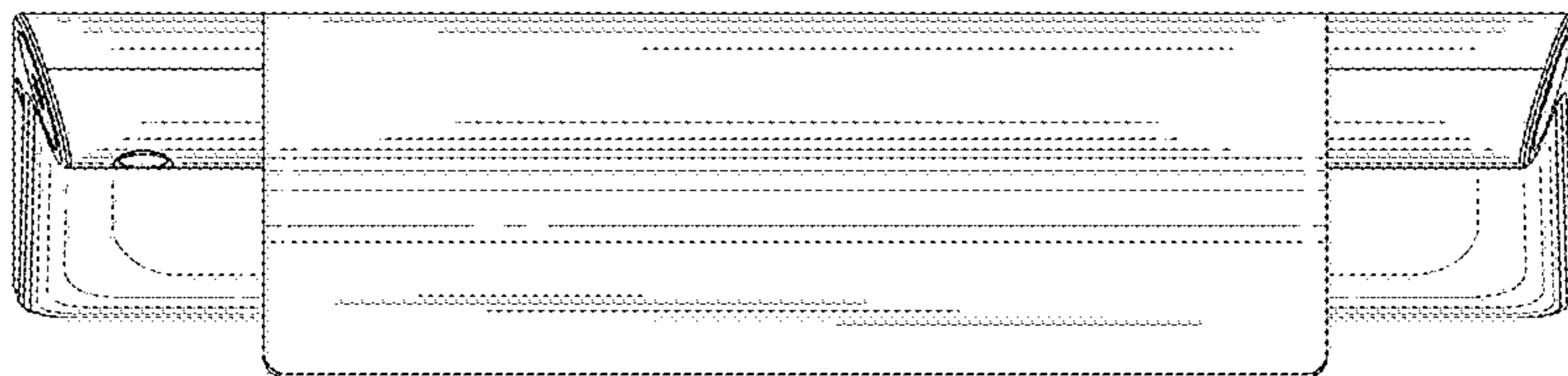


Fig. 4

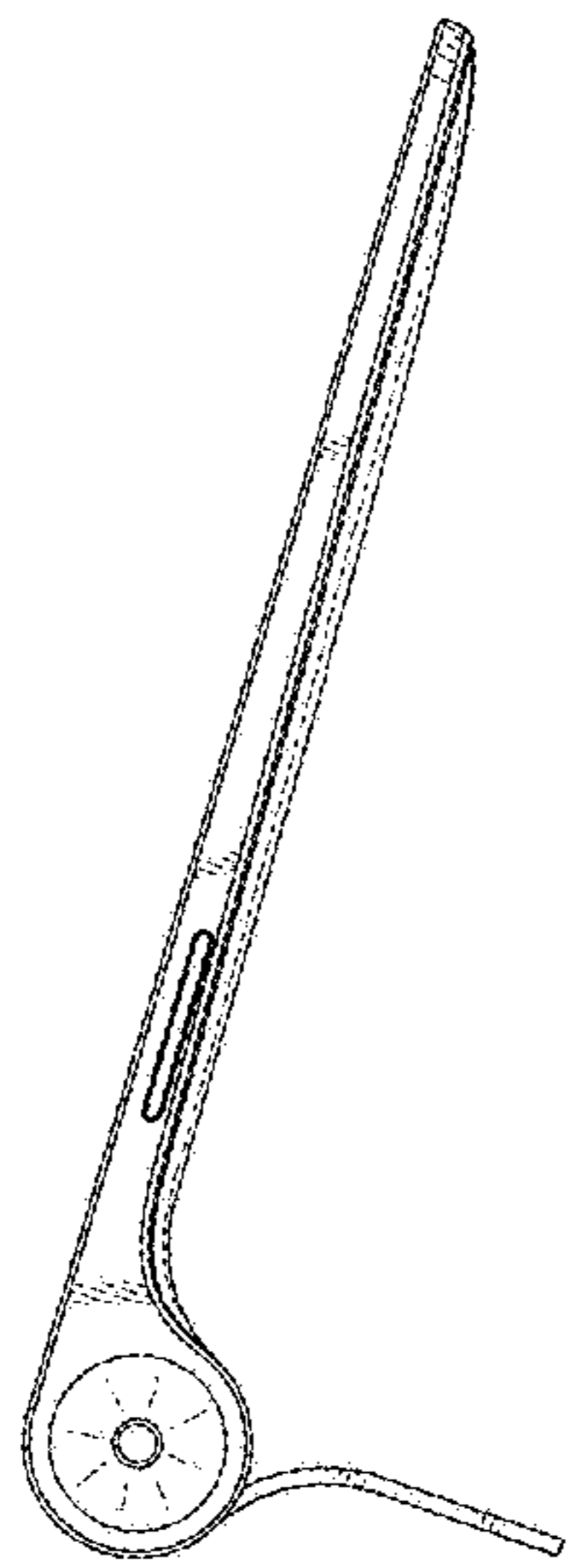


Fig. 5

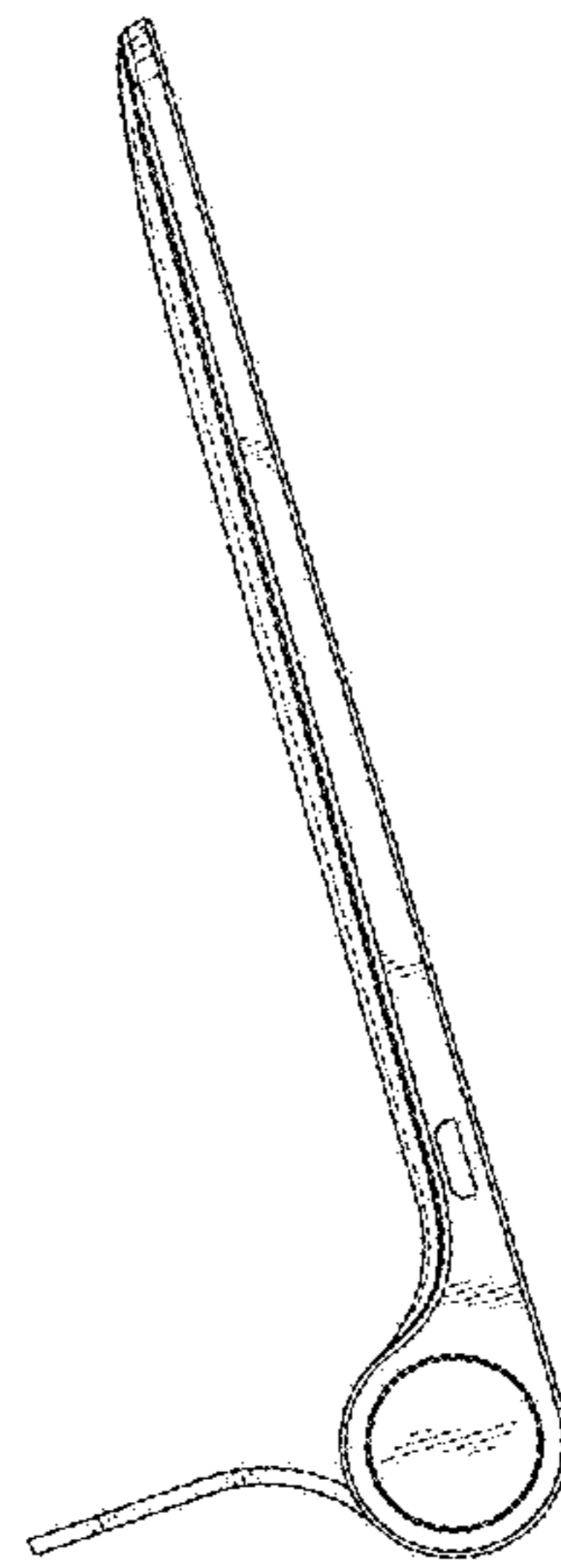


Fig. 6

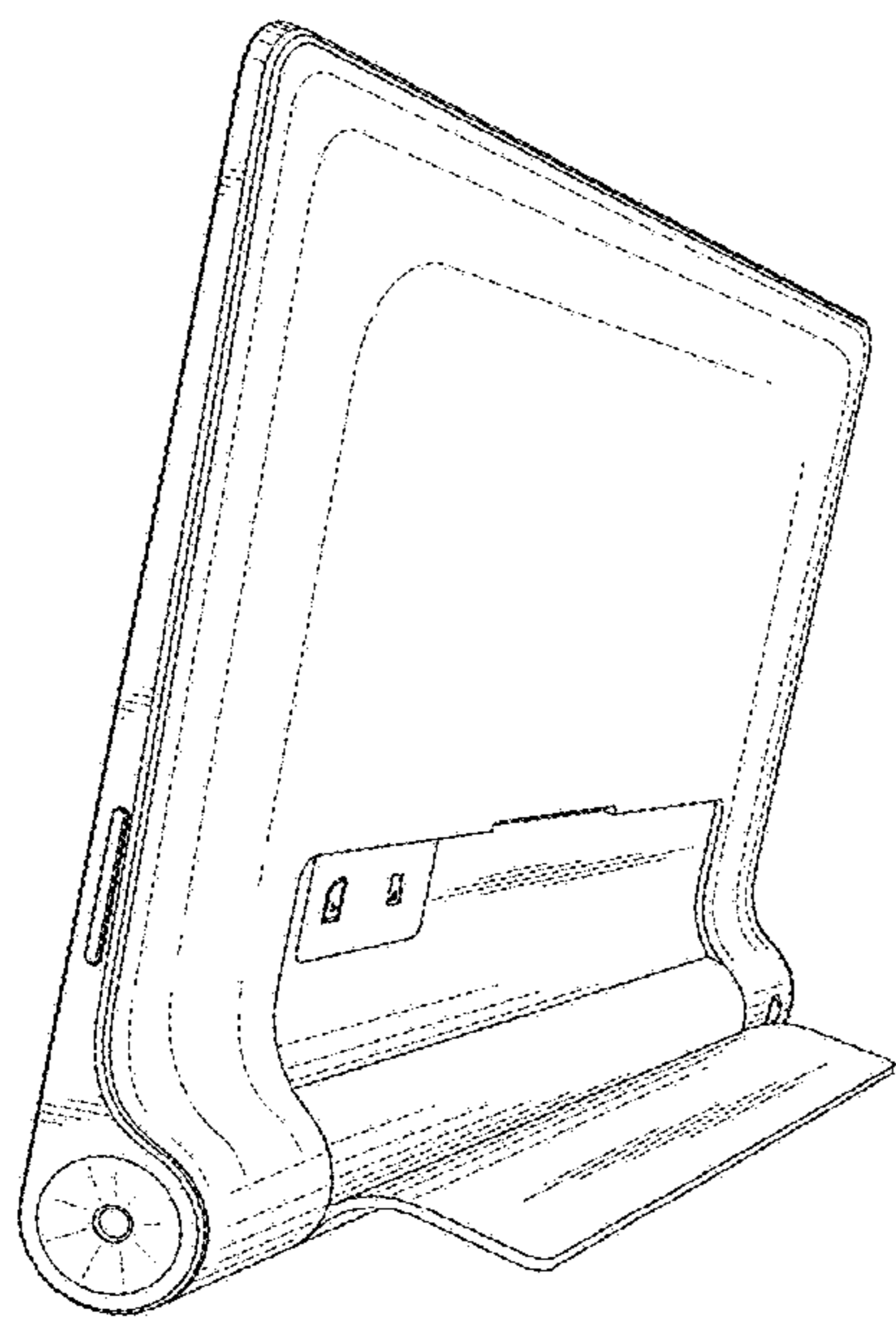


Fig. 7

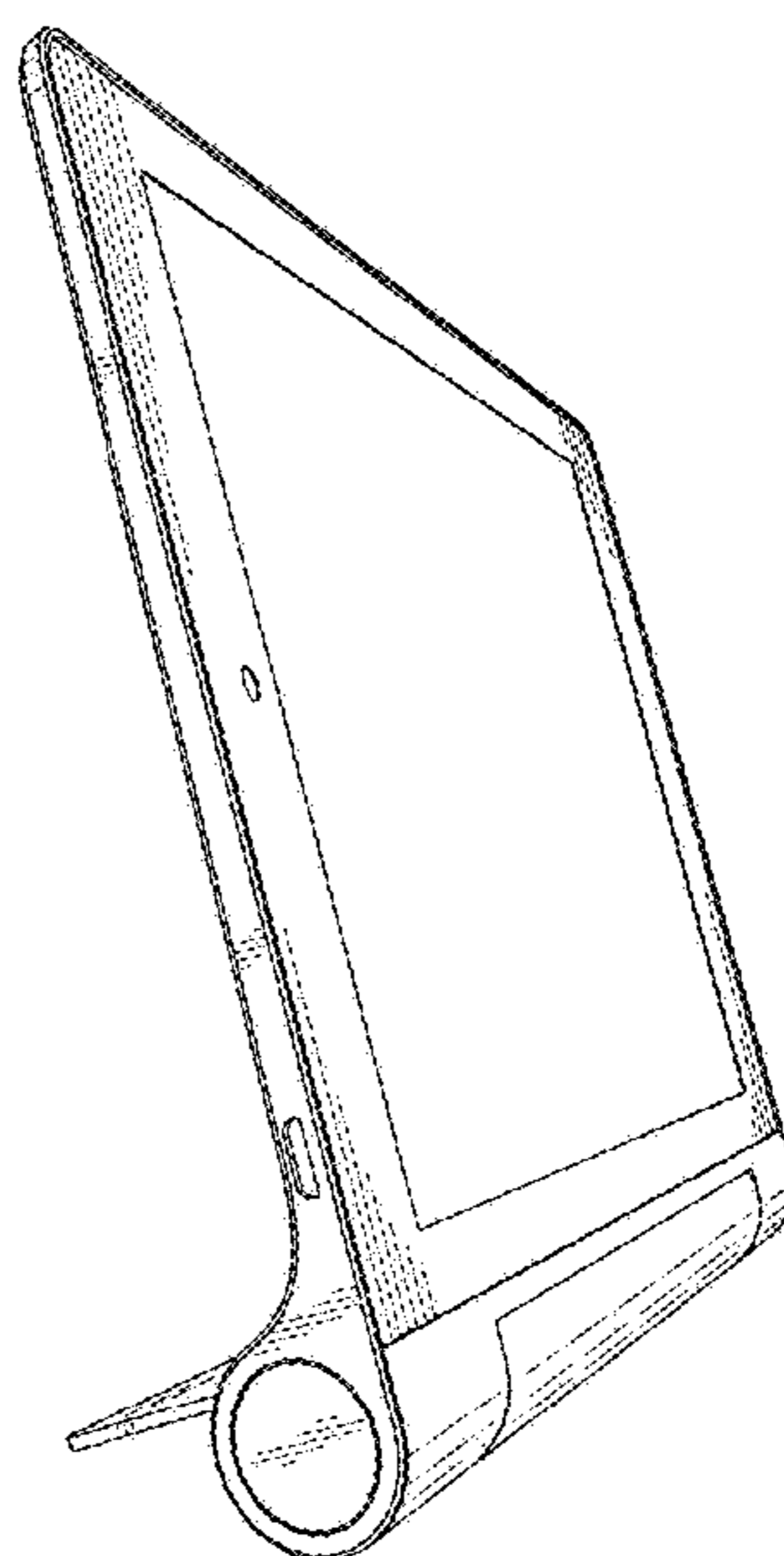


Fig. 8

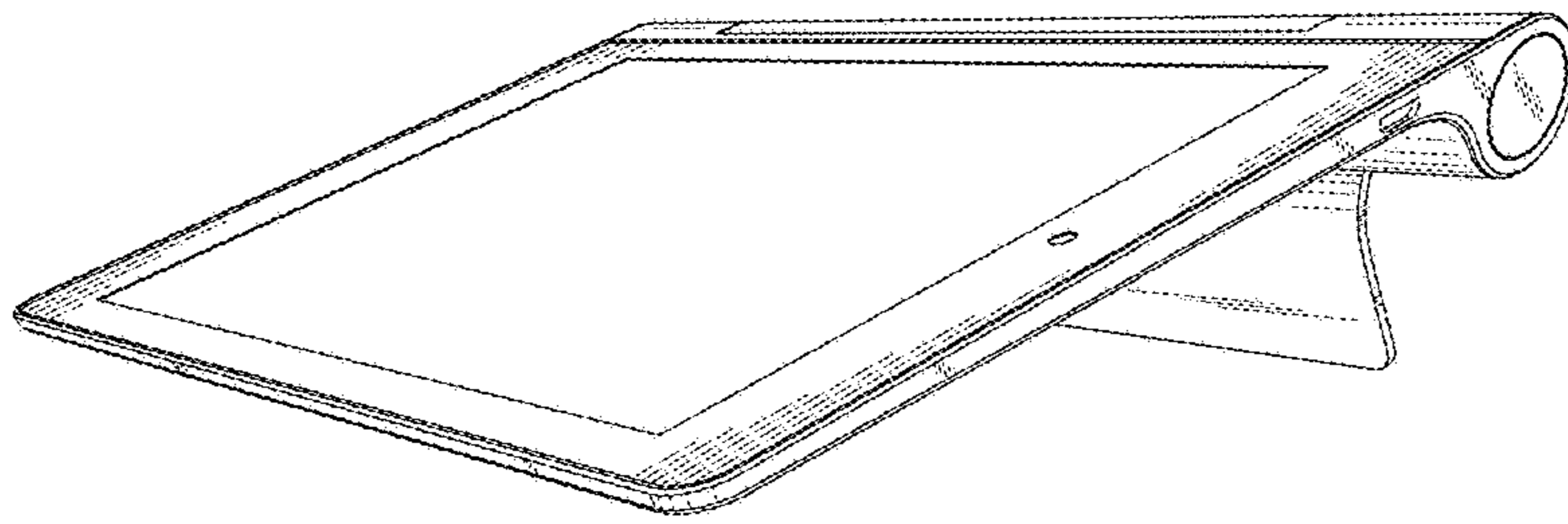


Fig. 9

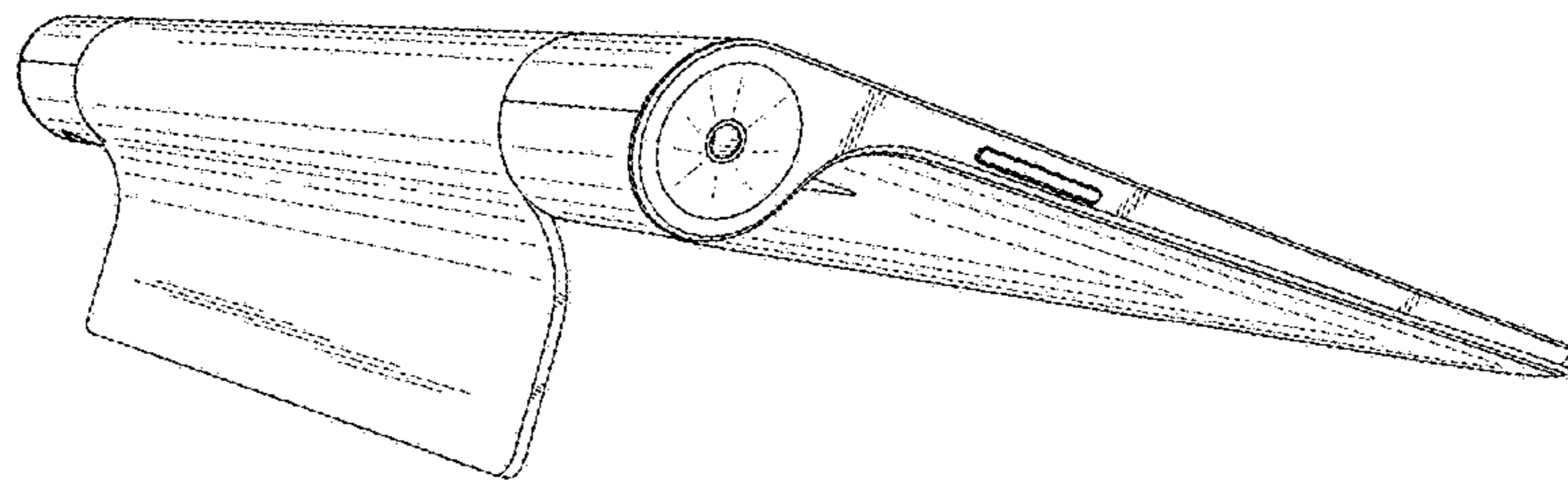


Fig. 10



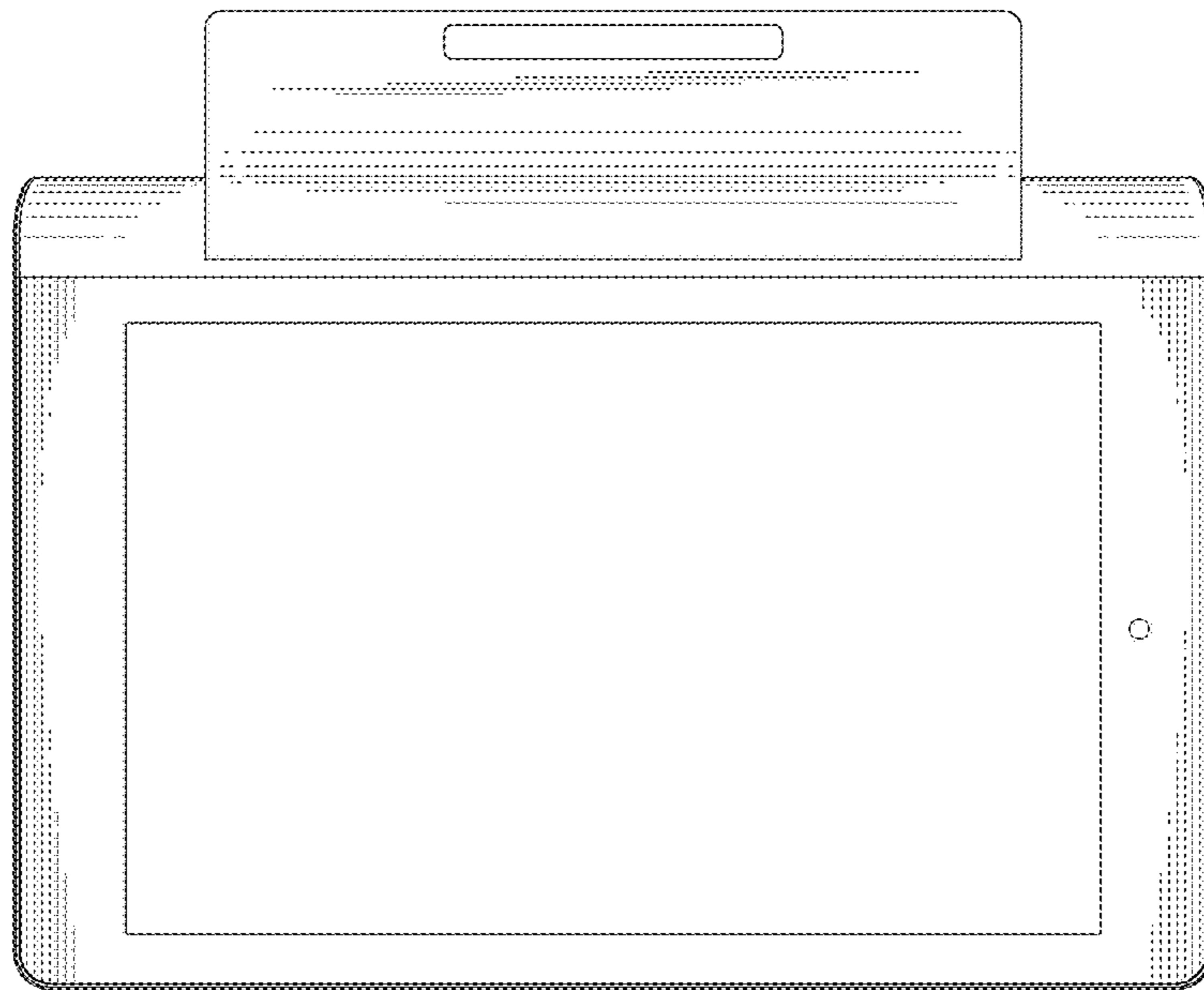


Fig.11

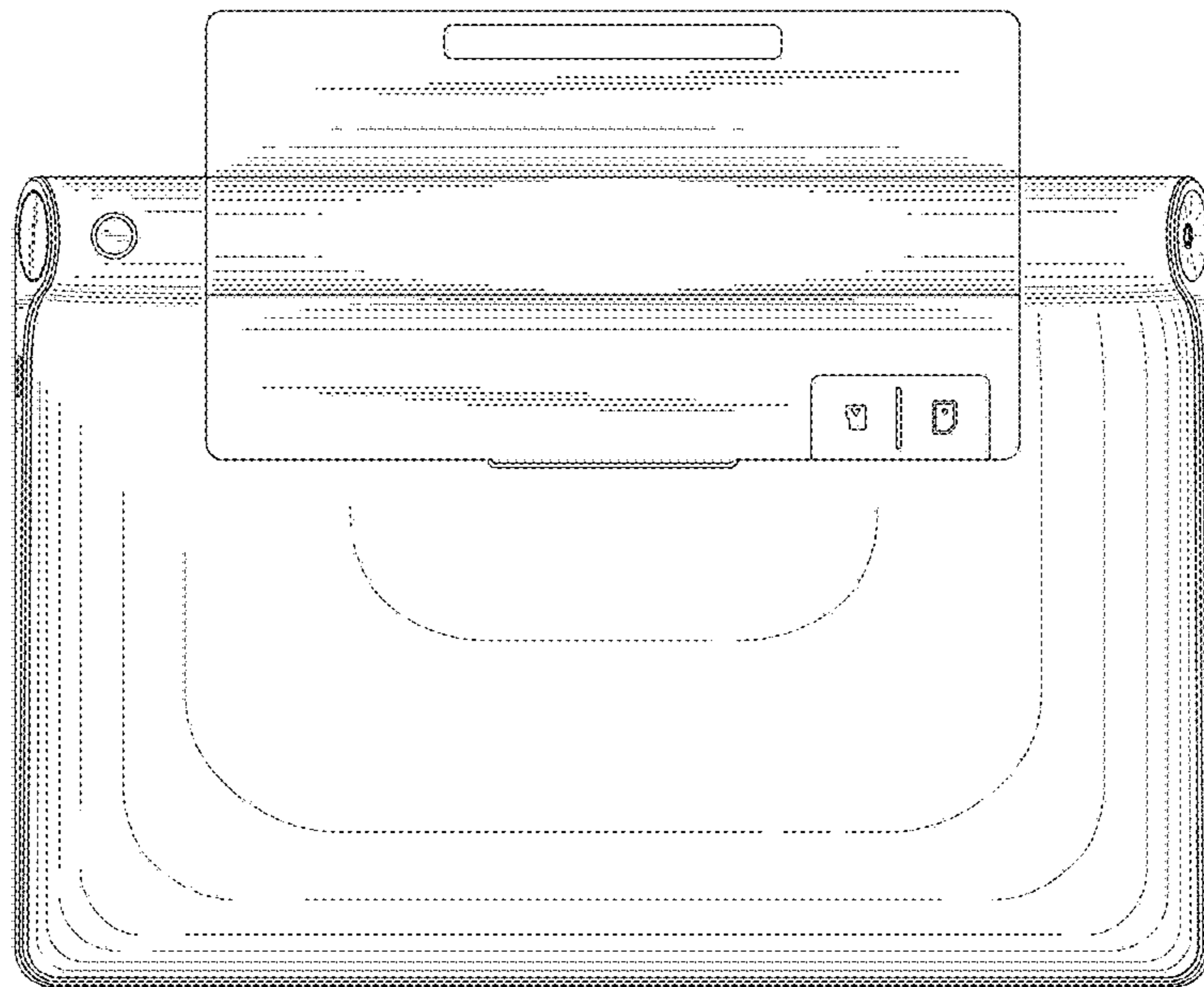


Fig.12

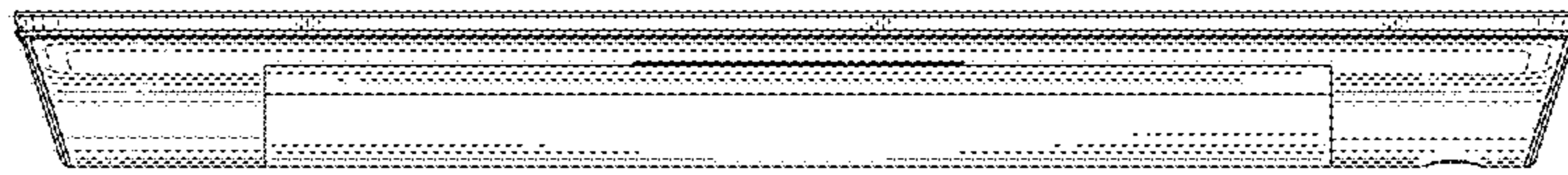


Fig.13

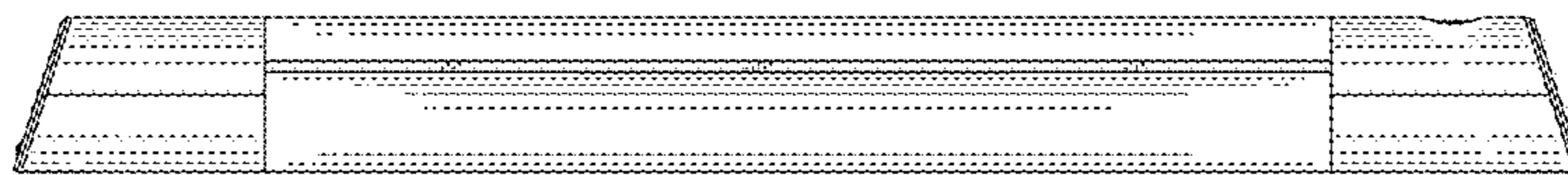


Fig.14

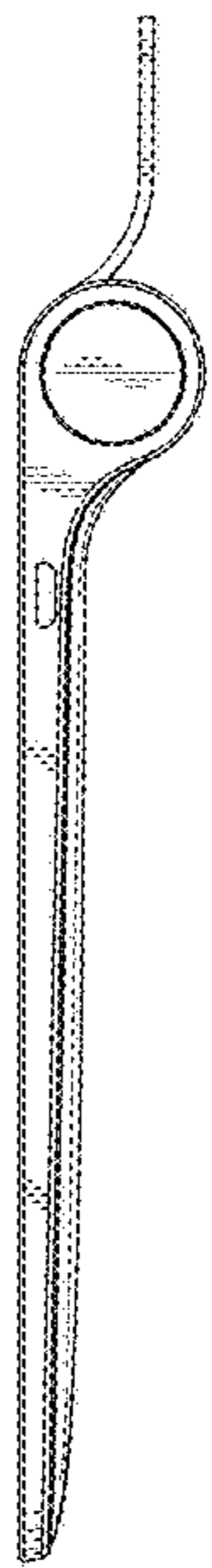


Fig.15



Fig.16

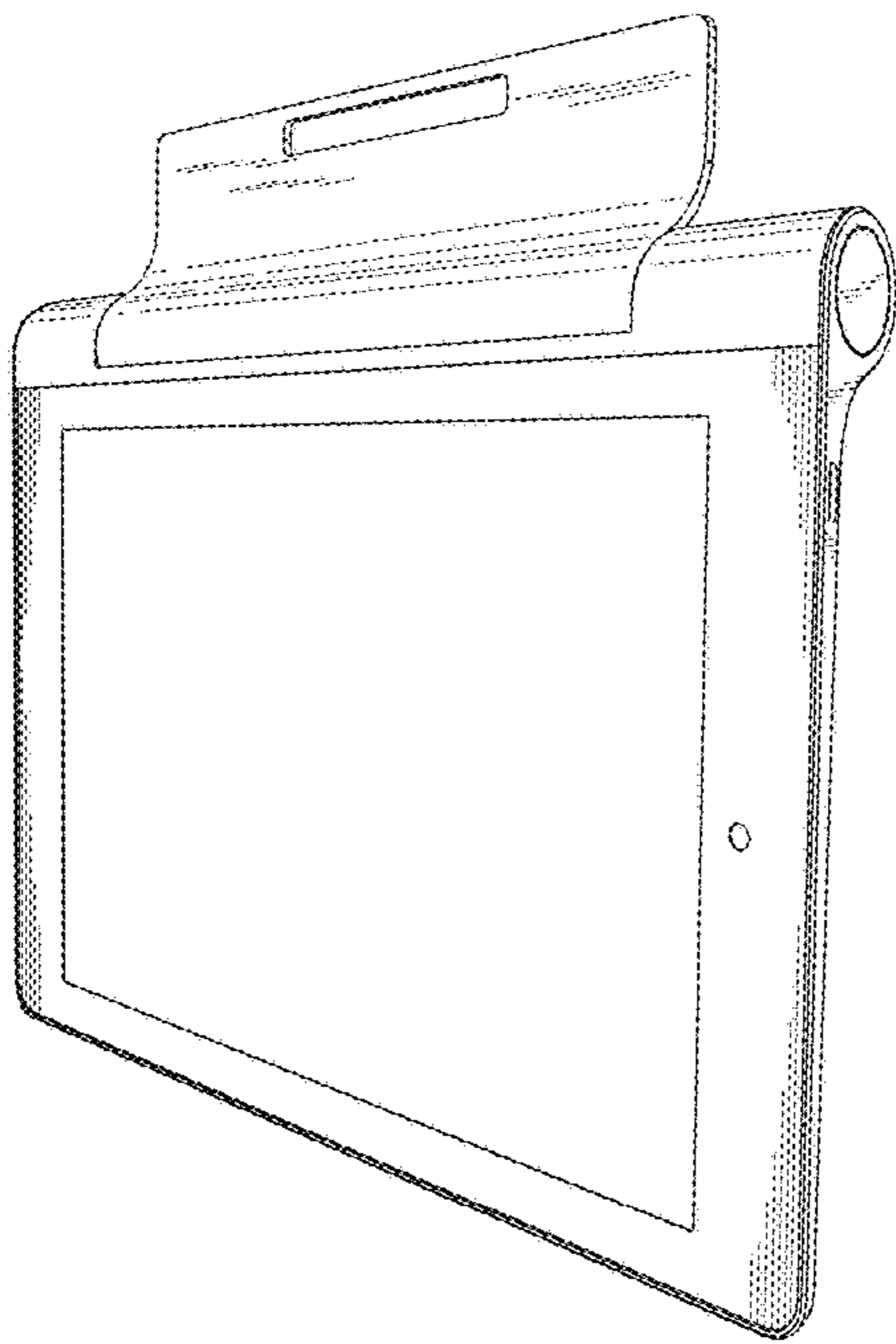


Fig.17

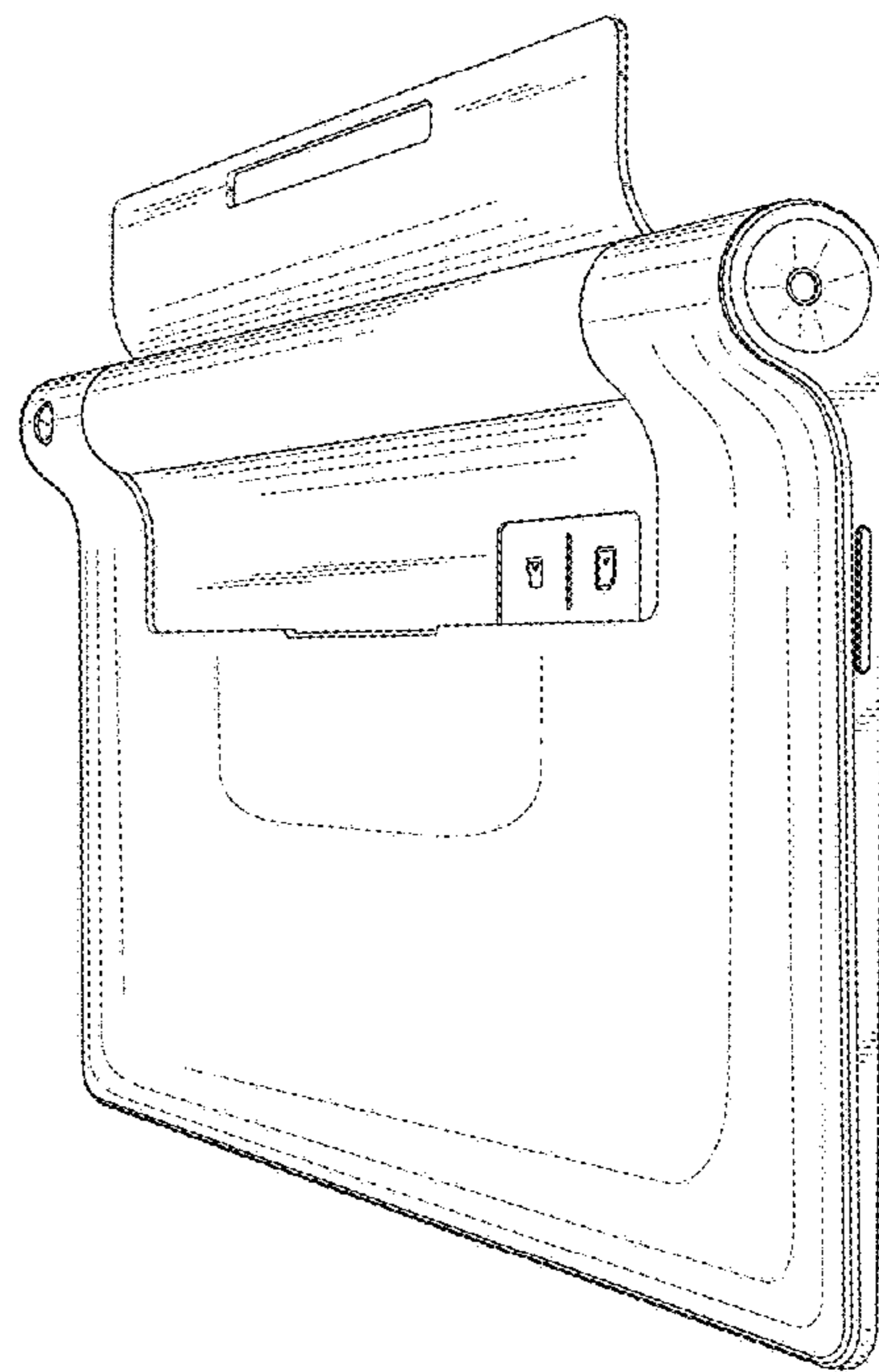


Fig.18