

US00D860193S

(12) **United States Design Patent**  
**Wang et al.**

(10) **Patent No.:** **US D860,193 S**  
(45) **Date of Patent:** **\*\* Sep. 17, 2019**

(54) **NOTEBOOK COMPUTER**

(71) Applicant: **ASUSTeK COMPUTER INC.**, Taipei (TW)

(72) Inventors: **Zuo-Wen Wang**, Taipei (TW);  
**Ming-Chih Huang**, Taipei (TW);  
**Lian-Tien Ke**, Taipei (TW); **Tong-Shen Hsiung**, Taipei (TW)

(73) Assignee: **ASUSTEK COMPUTER INC.**, Taipei (TW)

(\*\*) Term: **15 Years**

(21) Appl. No.: **29/644,750**

(22) Filed: **Apr. 20, 2018**

(51) **LOC (12) Cl.** ..... **14-02**

(52) **U.S. Cl.**  
USPC ..... **D14/315**

(58) **Field of Classification Search**  
USPC ..... D14/315–327, 331, 333–337, 439,  
D14/440–441, 444, 448, 450; D18/1–2,  
D18/7, 11, 12.2–12.3

(Continued)

(56) **References Cited**

**U.S. PATENT DOCUMENTS**

D334,739 S \* 4/1993 Tsai ..... D14/326  
D388,063 S \* 12/1997 Kim ..... D14/326

(Continued)

**FOREIGN PATENT DOCUMENTS**

JP D1550040 5/2016  
TW D120742 1/2008

**OTHER PUBLICATIONS**

ASUS ROG G752VY-DH72 17-Inch Gaming Laptop, posted at Amazon, review posted Feb. 28, 2016. Site visited May 24, 2019.

URL: <<https://www.amazon.com/G752VY-DH72-17-Inch-Gaming-Laptop-GeForce/dp/B01578ZM6Q>> (Year: 2016).\*

(Continued)

*Primary Examiner* — Kevin K Rudzinski  
*Assistant Examiner* — Kathleen L Jones  
(74) *Attorney, Agent, or Firm* — McClure, Qualey & Rodack, LLP

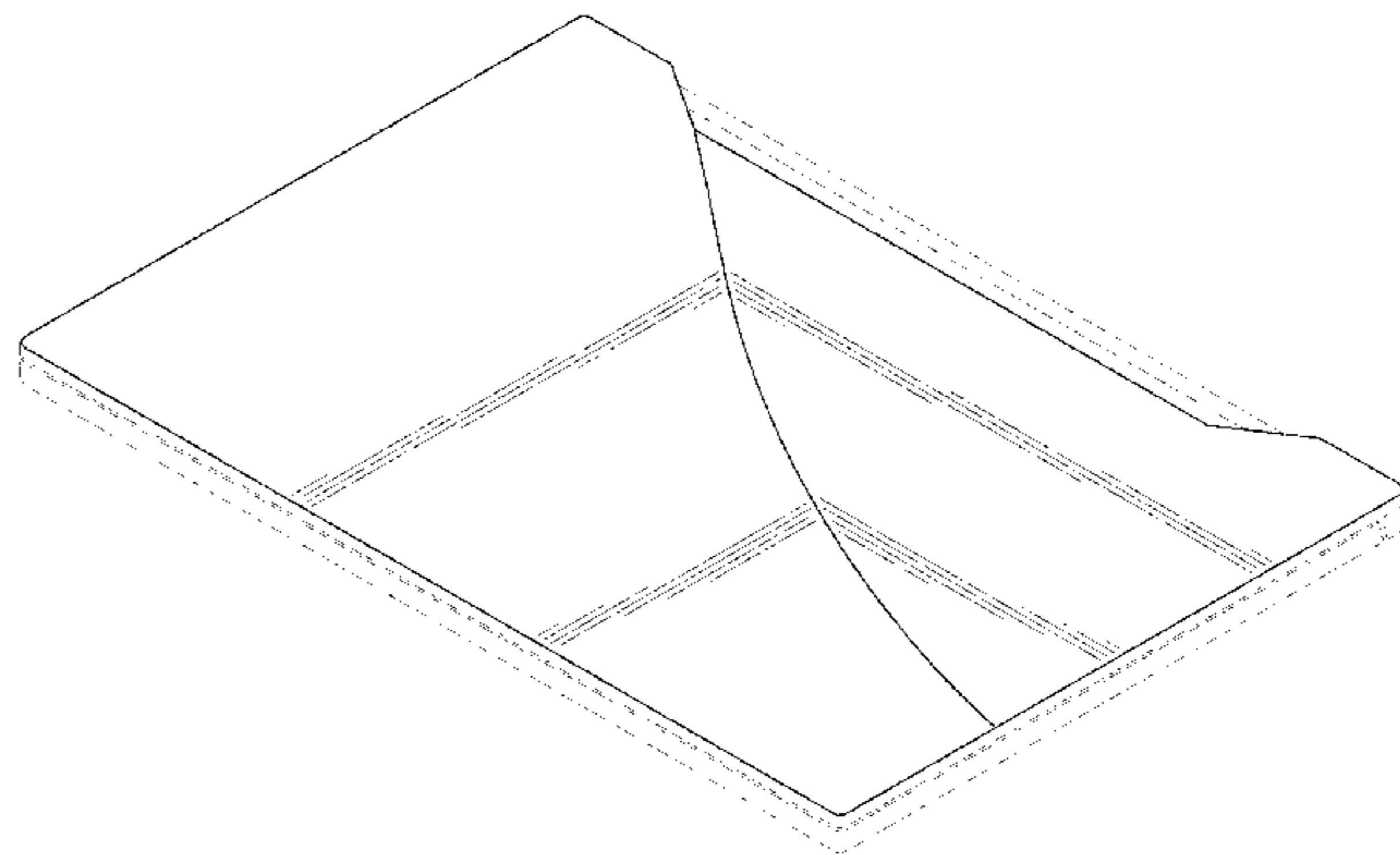
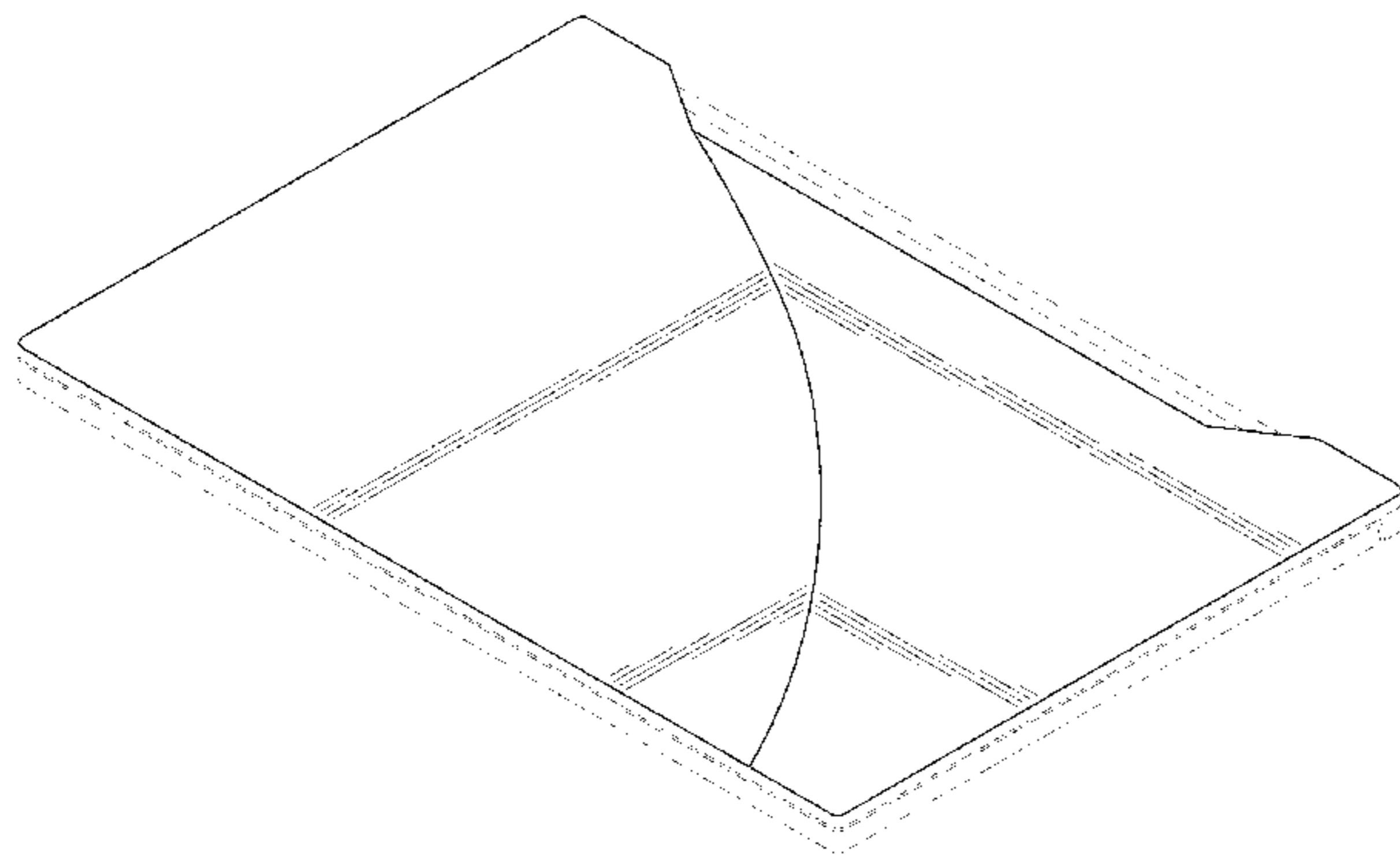
(57) **CLAIM**

The ornamental design for a notebook computer, as shown and described.

**DESCRIPTION**

FIG. 1 is a perspective view of a first embodiment of a notebook computer showing our new design;  
FIG. 2 is a front elevational view of the first embodiment thereof;  
FIG. 3 is a rear elevational view of the first embodiment thereof;  
FIG. 4 is a left side elevational view of the first embodiment thereof;  
FIG. 5 is a right side elevational view of the first embodiment thereof;  
FIG. 6 is a top plan view of the first embodiment thereof;  
FIG. 7 is a bottom plan view of the first embodiment thereof;  
FIG. 8 is a perspective view of a second embodiment of a notebook computer showing our new design;  
FIG. 9 is a front elevational view of the second embodiment thereof;  
FIG. 10 is a rear elevational view of the second embodiment thereof;  
FIG. 11 is a left side elevational view of the second embodiment thereof;  
FIG. 12 is a right side elevational view of the second embodiment thereof;  
FIG. 13 is a top plan view of the second embodiment thereof; and,  
FIG. 14 is a bottom plan view of the second embodiment thereof.

(Continued)



The broken lines in the drawings illustrate portions of the notebook computer which form no part of the claimed design.

**1 Claim, 14 Drawing Sheets**

(58) **Field of Classification Search**

CPC .... G06F 1/1601; G06F 1/1616; G06F 1/1633;  
G06F 1/1652; G06F 1/1681; G06F  
1/1613; H05K 5/0004; H05K 5/0017;  
H05K 5/0021; H05K 5/0043; H05K  
5/0047; H05K 5/0052

See application file for complete search history.

(56) **References Cited**

U.S. PATENT DOCUMENTS

D456,397 S	*	4/2002	Lin	.....	D14/327
D456,803 S	*	5/2002	Yamada	.....	D14/324
D480,394 S	*	10/2003	Skinner	.....	D14/318
D506,752 S	*	6/2005	Huh	.....	D14/316
D510,092 S	*	9/2005	He	.....	D14/444
D552,614 S	*	10/2007	Zhou	.....	D14/444
D555,656 S	*	11/2007	Bishop	.....	D14/448
D565,561 S	*	4/2008	Kaneshiro	.....	D14/315
D586,796 S	*	2/2009	Lee	.....	D14/315
D587,701 S	*	3/2009	Yoon	.....	D14/318
D627,342 S	*	11/2010	Lin	.....	D14/315
D649,542 S	*	11/2011	Yoon	.....	D14/315
D698,349 S	*	1/2014	Sun	.....	D14/315

D719,169 S	*	12/2014	McBroom	.....	D14/440
D720,743 S	*	1/2015	Leonard	.....	D14/316
D772,882 S	*	11/2016	Paschke	.....	D14/440
D797,718 S	*	9/2017	Chu	.....	D14/315
D804,467 S	*	12/2017	Probst	.....	D14/315
D805,519 S	*	12/2017	Diebel	.....	A45C 11/00 D14/440
D823,849 S	*	7/2018	Lim	.....	D14/318
D828,360 S	*	9/2018	Moore	.....	D14/440
D832,834 S	*	11/2018	Wang	.....	D14/315
D832,851 S	*	11/2018	Mecchella	.....	D14/440
D835,086 S	*	12/2018	Wilcox	.....	D14/242
D837,796 S	*	1/2019	Kim	.....	D14/440
D841,013 S	*	2/2019	Ferren	.....	D14/440
D847,819 S	*	5/2019	Mecchella	.....	D14/440

OTHER PUBLICATIONS

Ridden, Paul, Asus squeezes GTX 1080 graphics into superthin gaming laptop, posted at New Atlas, posting date May 30, 2017. Site visited May 24, 2019. URL <<https://newatlas.com/asus-rog-zephyrus-gaming-laptop/49781/>> (Year: 2017).\*

Colaner, Seth, CyberPowerPC Fangbook X7-200 Gaming Notebook, posted at HotHardware, posting date Apr. 4, 2013. Site visited May 24, 2019. URL: <<https://hothardware.com/reviews/cyberpowerpc-fangbook-x7200-review>> (Year: 2013).\*

Ridden, Paul, Digital Storm readies powerful yet portable Veloce gaming notebook for release, posted at New Atlas, posting date Jul. 12, 2013. Site visited May 24, 2019. URL: <<https://newatlas.com/digital-storm-veloce-full-hd-gaming-notebook/28285/#gallery>> Year: 2013).\*

\* cited by examiner

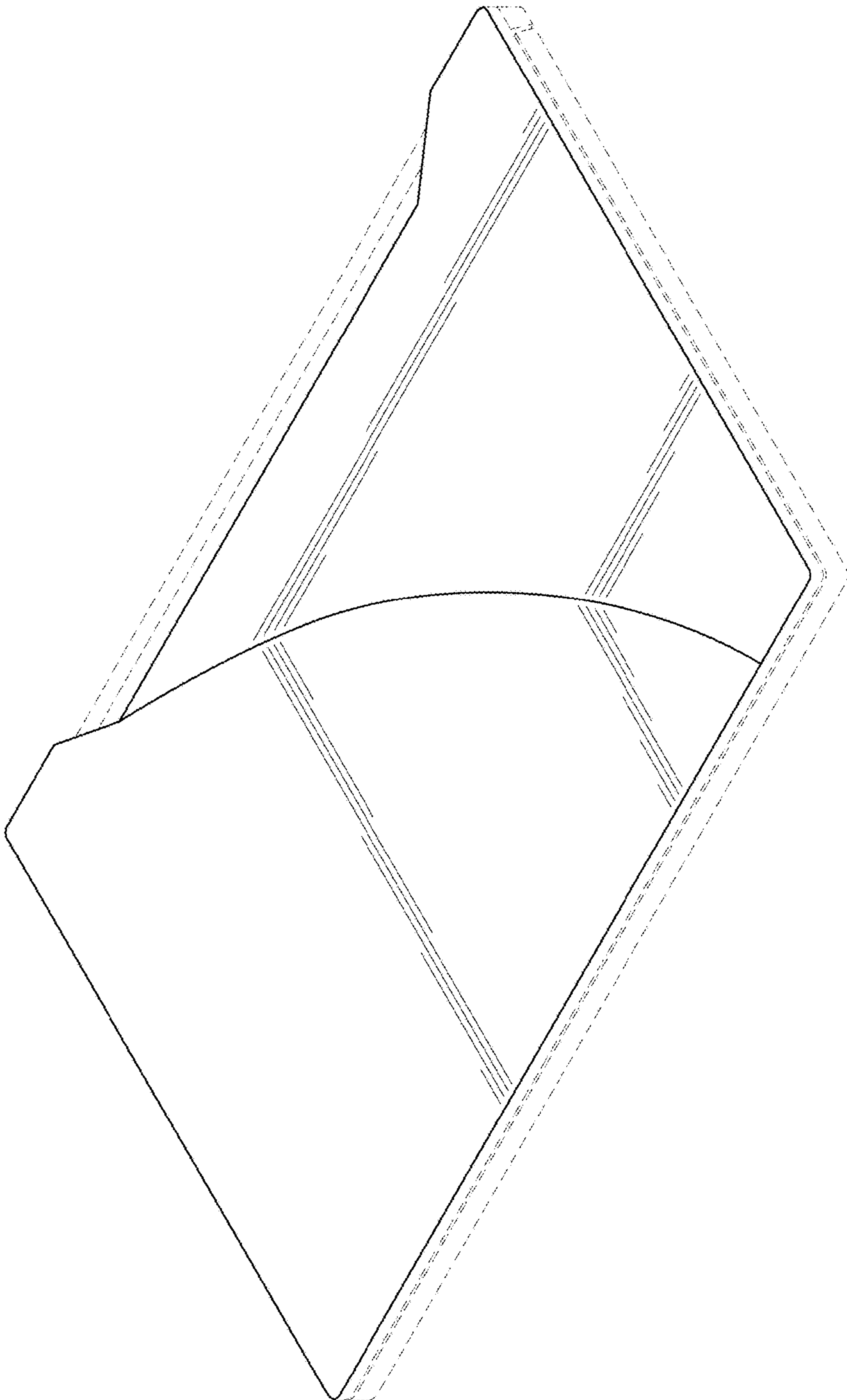


Fig. 1

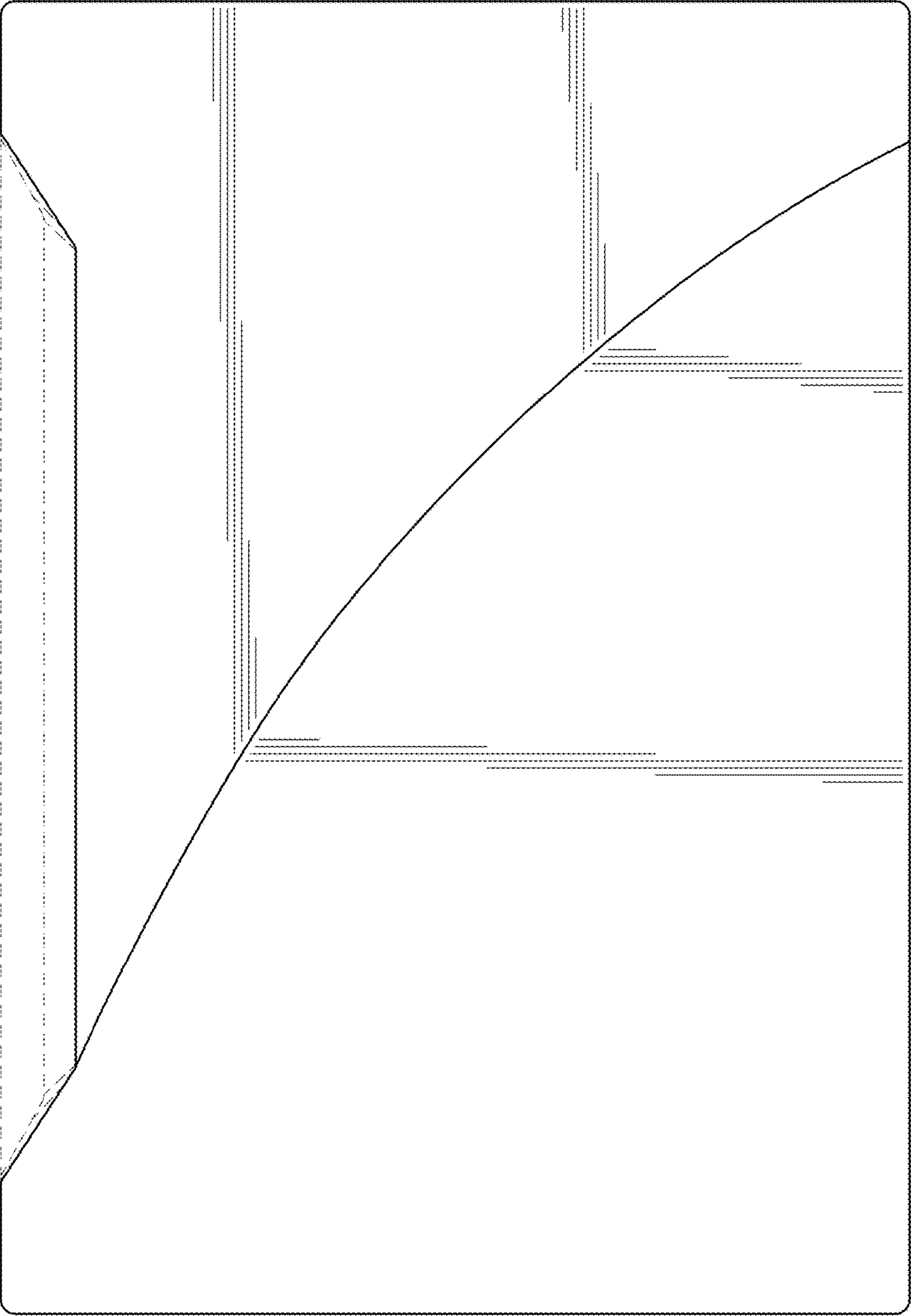


Fig. 2



Fig. 3

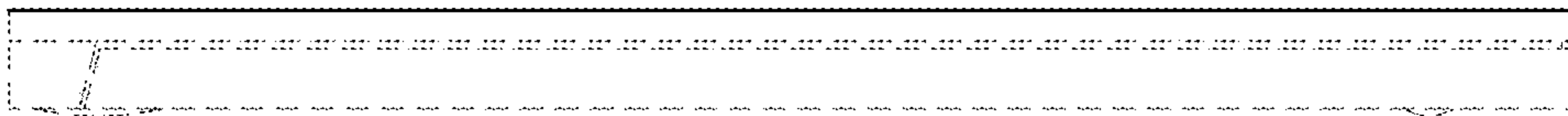


Fig. 4

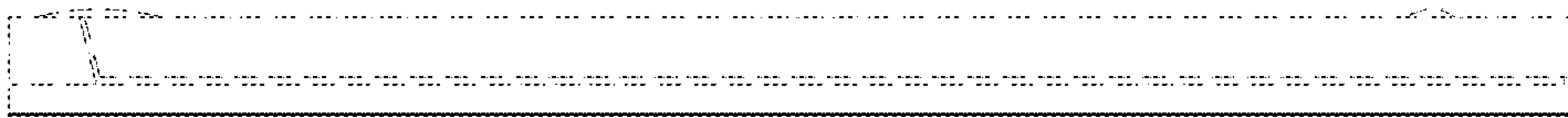


Fig. 5



Fig. 6





Fig. 7

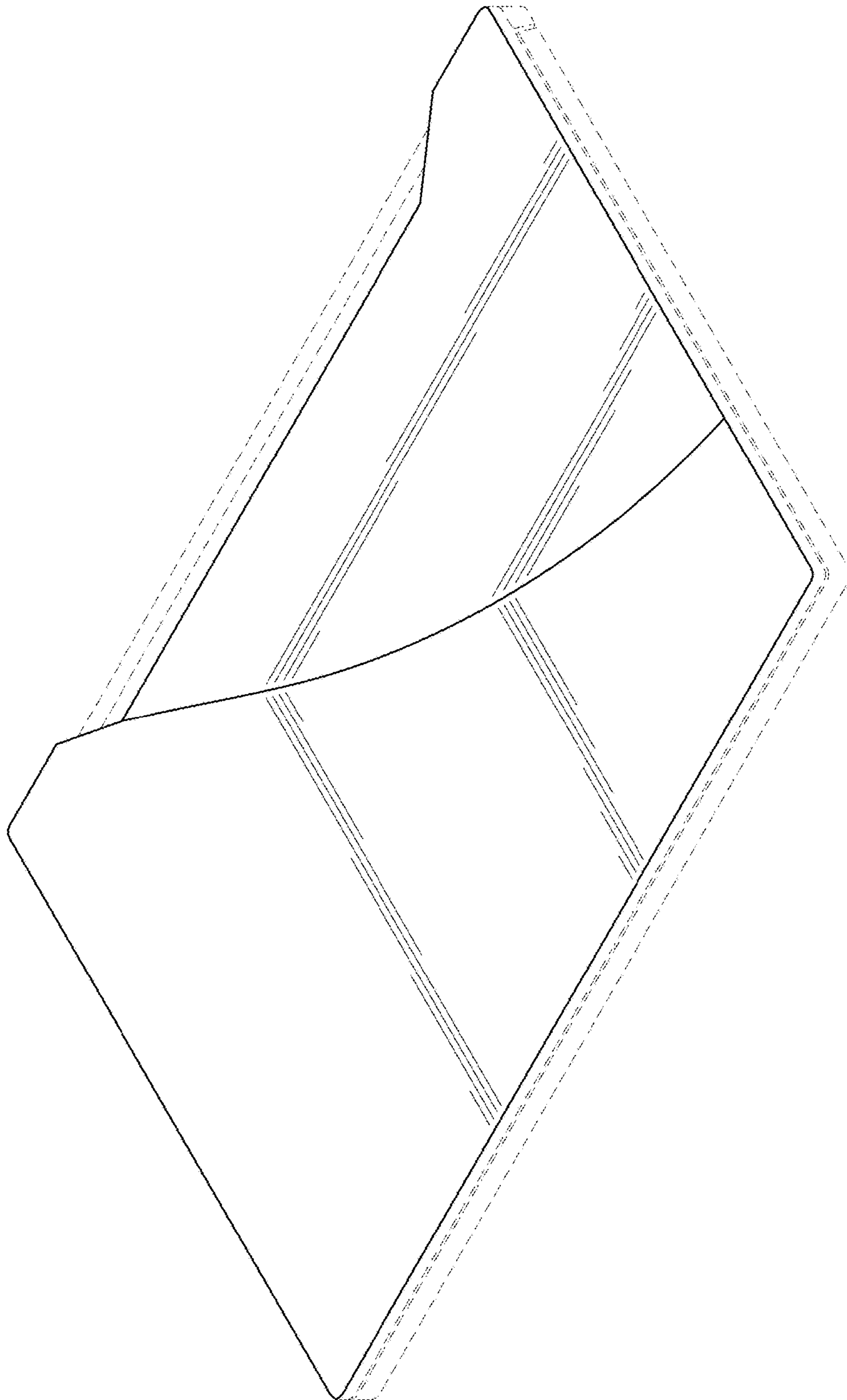


Fig. 8

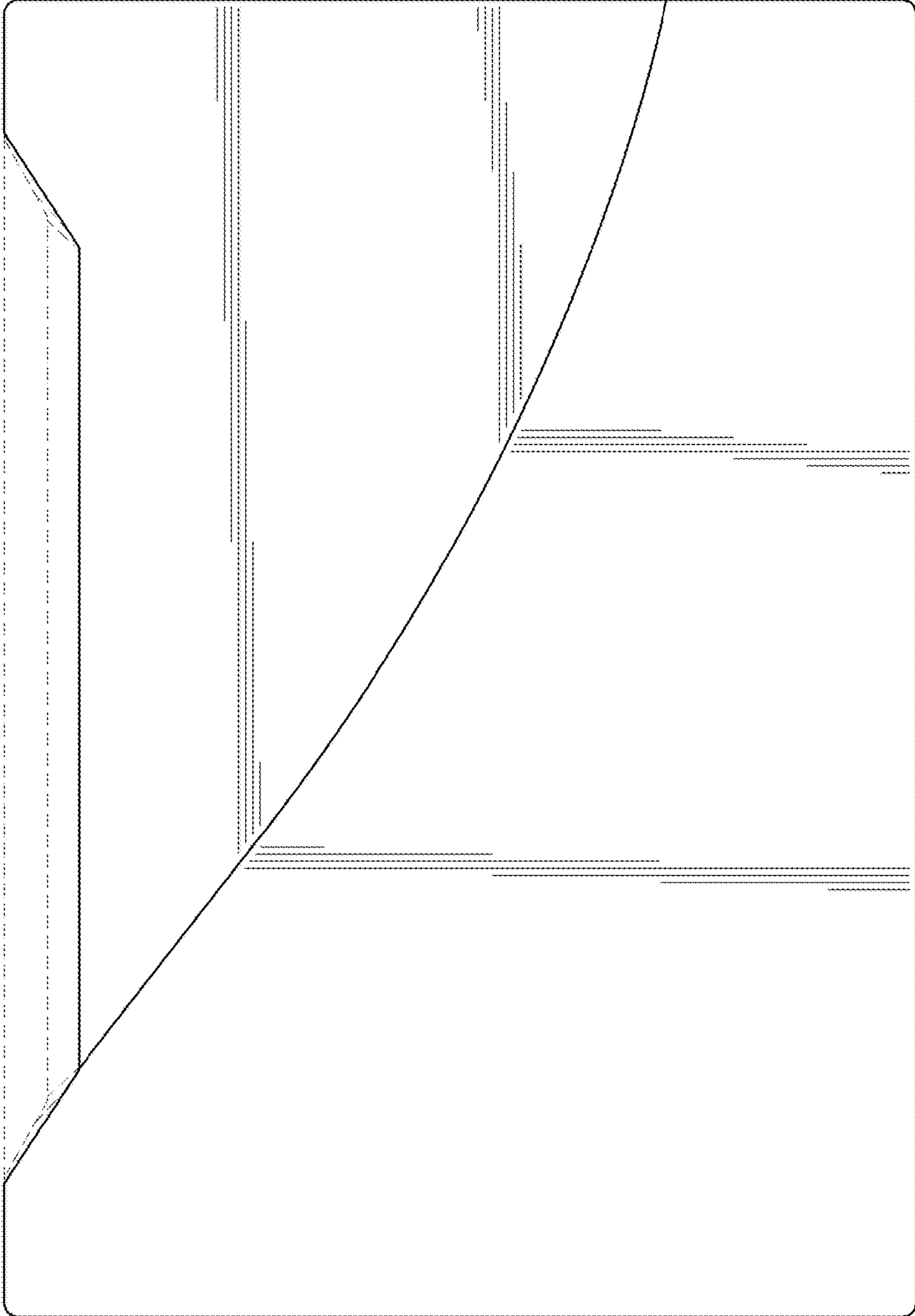


Fig. 9



Fig. 10

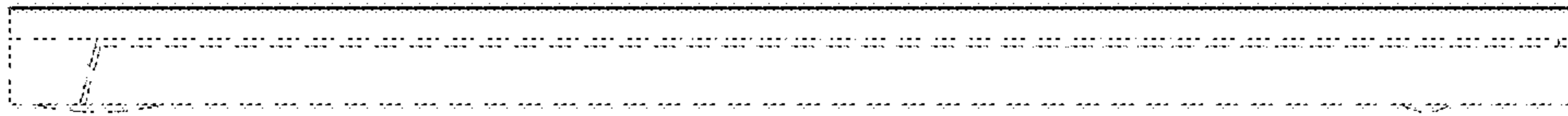


Fig. 11

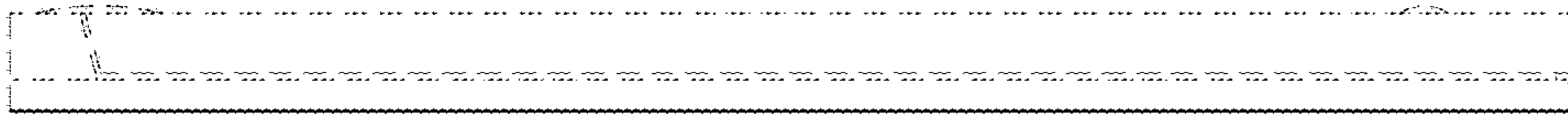


Fig. 12



Fig. 13

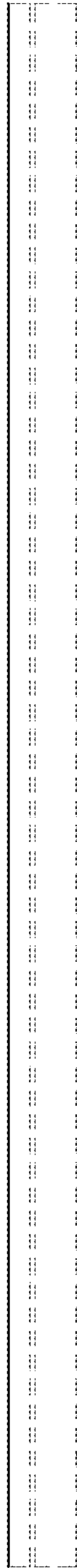


Fig. 14