

US00D860192S

(12) **United States Design Patent** (10) **Patent No.:** **US D860,192 S**
Rennie (45) **Date of Patent:** **** Sep. 17, 2019**

(54) **SERVER**

7/00; H05H 7/20; G11B 33/126; G11B 33/128; G11B 33/08; G11B 33/02

See application file for complete search history.

(71) Applicant: **Bluebox Aviation Systems Ltd,**
Dunfermline (GB)

(72) Inventor: **Graham Rennie,** Stirling (GB)

(73) Assignee: **Bluebox Aviation Systems Limited,**
Dunfermline (GB)

(**) Term: **15 Years**

(21) Appl. No.: **29/619,608**

(22) Filed: **Sep. 29, 2017**

(30) **Foreign Application Priority Data**

Mar. 30, 2017 (EP) 003831700-0001

(51) **LOC (12) Cl.** **14-02**

(52) **U.S. Cl.**
USPC **D14/301**

(58) **Field of Classification Search**
USPC D14/240, 308, 313, 314, 348-356,
D14/364-368, 188, 300-301; D13/123,
D13/158, 162, 184, 199;
312/223.1-223.3, 351.11;
360/99.01-99.12; 369/34.01-36.01;
361/679.31-679.33, 679.37, 679.39,
361/679.46, 679.53, 679.4, 679.41, 727;
D6/632

CPC . G06F 1/20; G06F 1/181; G06F 1/187; G06F 1/183; G06F 1/184; G06F 1/16; H05K 7/16; H05K 7/1424; H05K 7/1409; H05K 7/20; H05K 7/20545; H05K 7/20727; H05K 7/1425; H05K 7/1488; H05K 7/183; H05K 7/14; H05K 5/00; H05K

(56) **References Cited**

U.S. PATENT DOCUMENTS

D312,074	S	*	11/1990	Koepke	D14/312
D393,013	S	*	3/1998	Ashida	D14/368
D419,200	S	*	1/2000	Ashida	D21/332
D473,091	S	*	4/2003	Chen	D6/632
D504,590	S	*	5/2005	Marcombe	D6/632
D580,206	S	*	11/2008	Chen	D6/632
D580,931	S	*	11/2008	Chang	D14/356
D580,932	S	*	11/2008	Tzou	D14/356
D721,138	S	*	1/2015	Barinaga	D21/332
D762,734	S	*	8/2016	Kwong	D14/496
D789,352	S	*	6/2017	Kong	D14/314
D797,100	S	*	9/2017	Wieser	D14/358
D801,963	S	*	11/2017	Probst	D14/314
D839,261	S	*	1/2019	Nagano	D14/301
D839,870	S	*	2/2019	Akana	D14/314

* cited by examiner

Primary Examiner — Michael A. Pratt

(74) *Attorney, Agent, or Firm* — Snell & Wilmer, L.L.P.

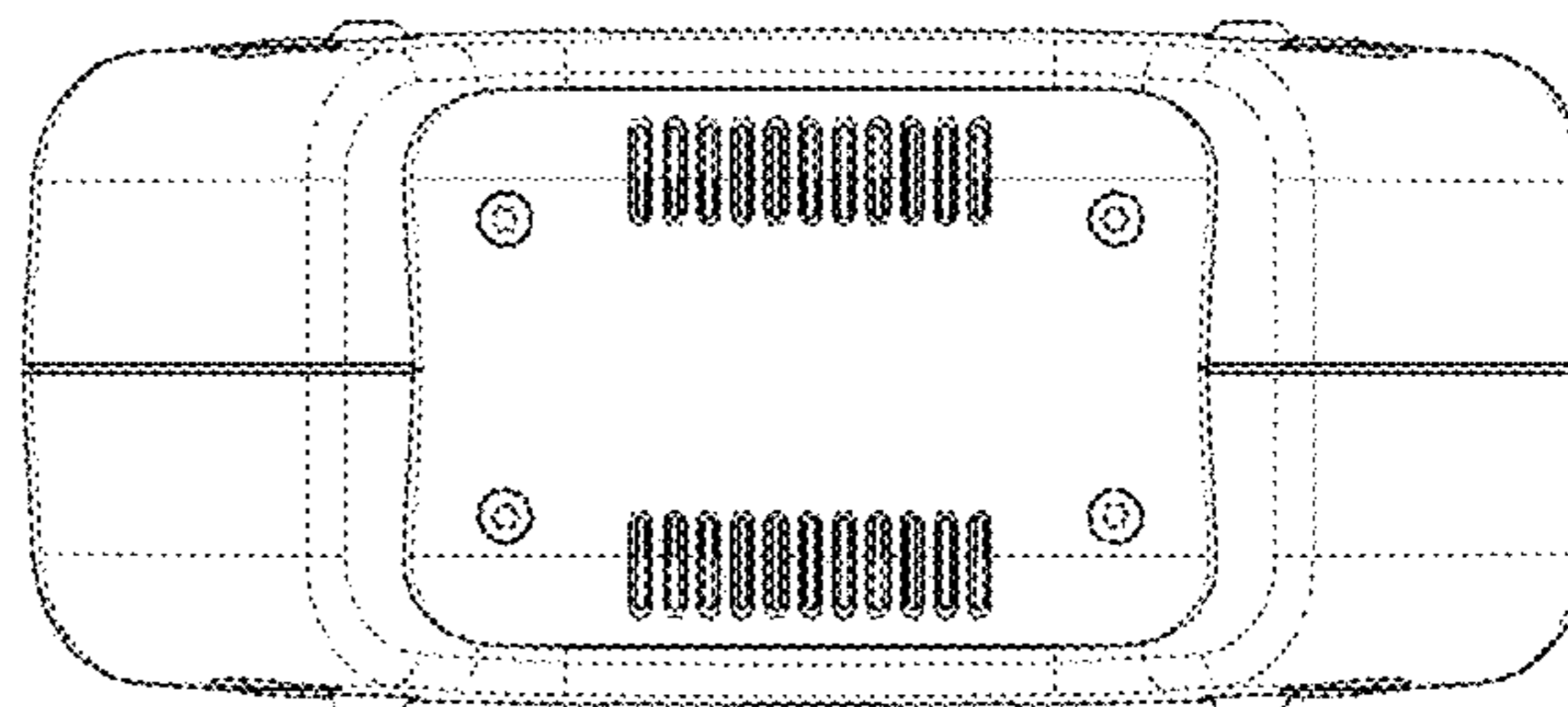
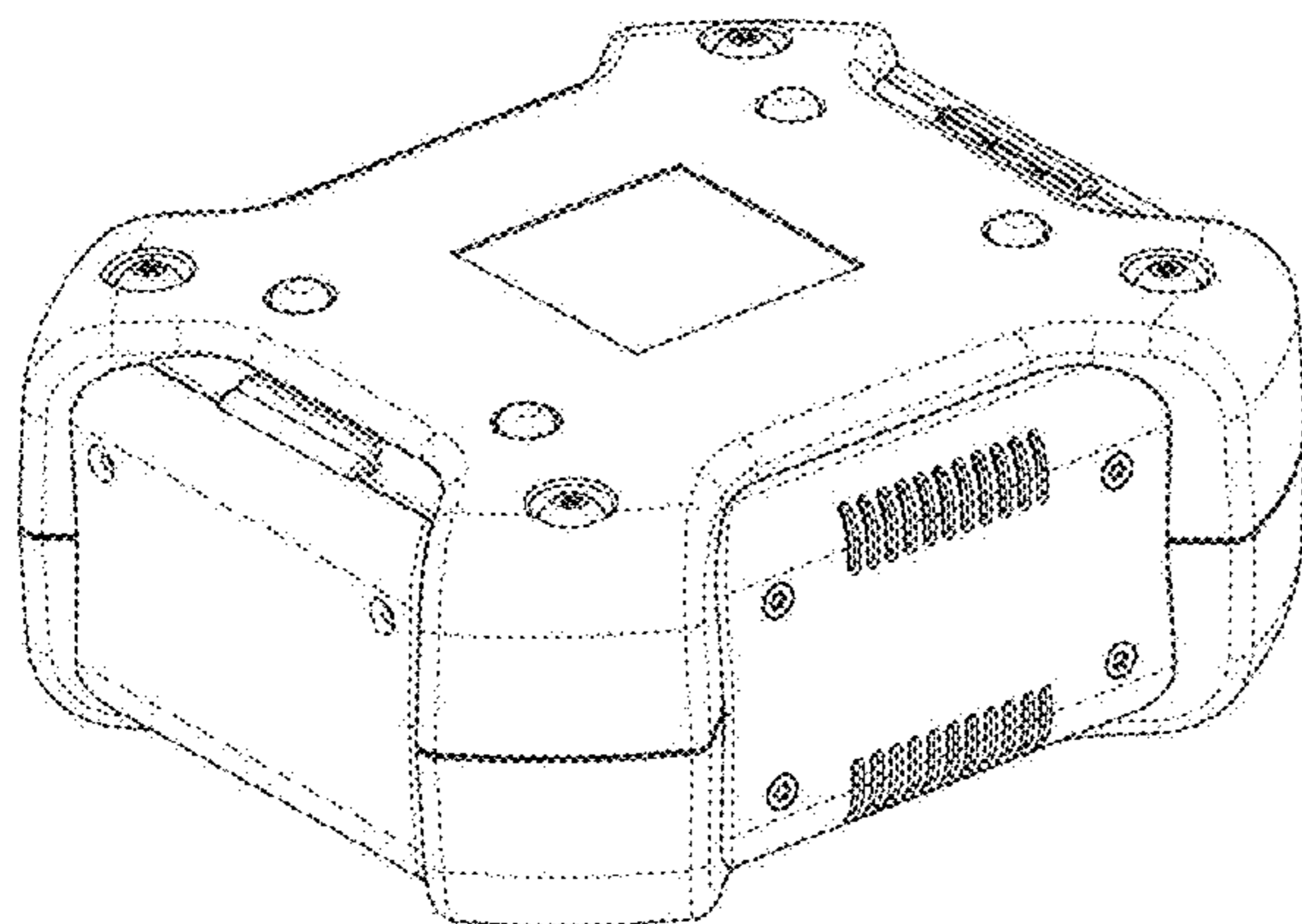
(57) **CLAIM**

The ornamental design for a server, as shown and described.

DESCRIPTION

FIG. 1 is a front view of a server showing my new design; FIG. 2 is a top view thereof; FIG. 3 is a rear view thereof; FIG. 4 is a perspective view thereof; FIG. 5 is a side view thereof; FIG. 6 is an opposite side view thereof; and, FIG. 7 is a bottom view thereof.

1 Claim, 7 Drawing Sheets



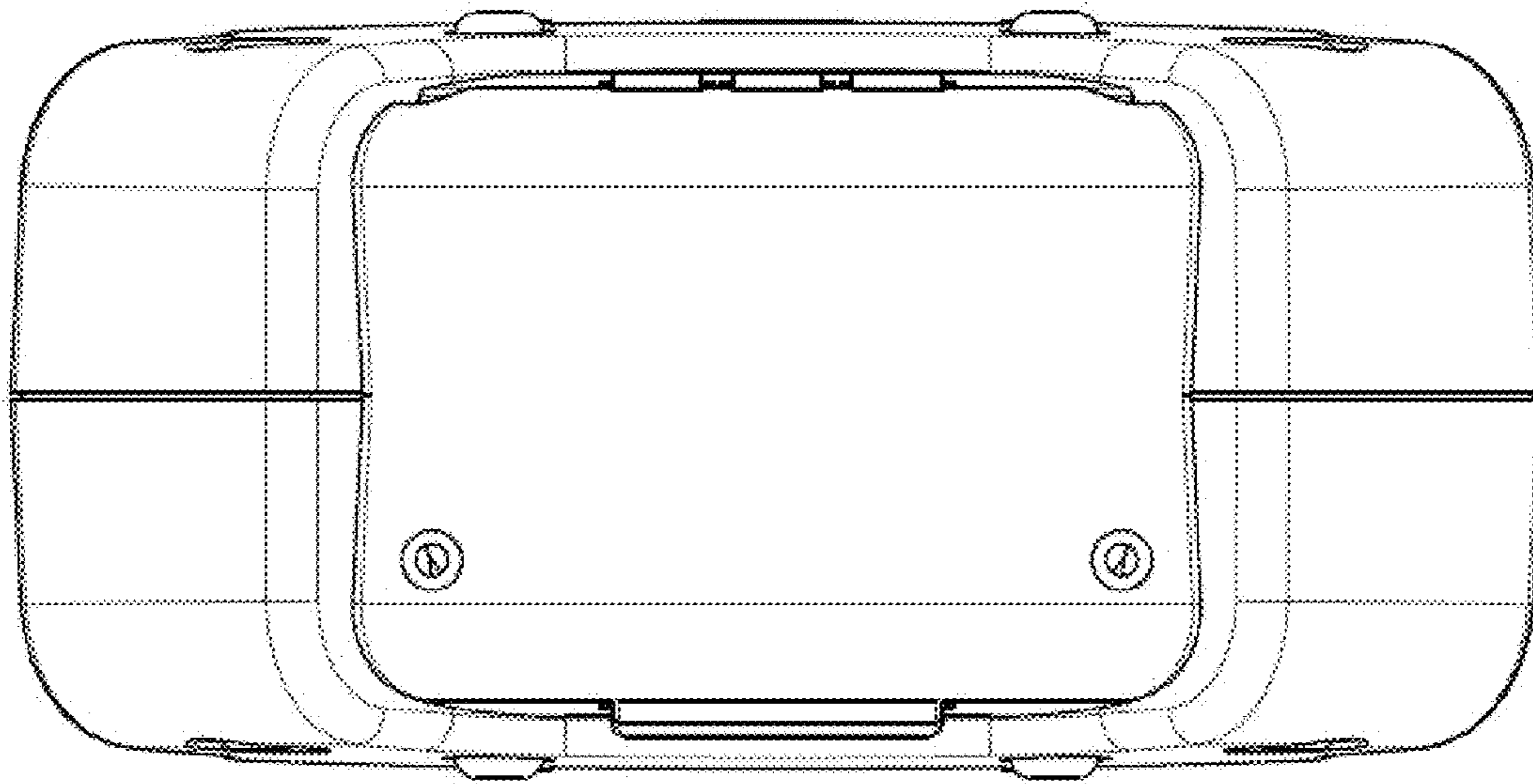


FIG. 1

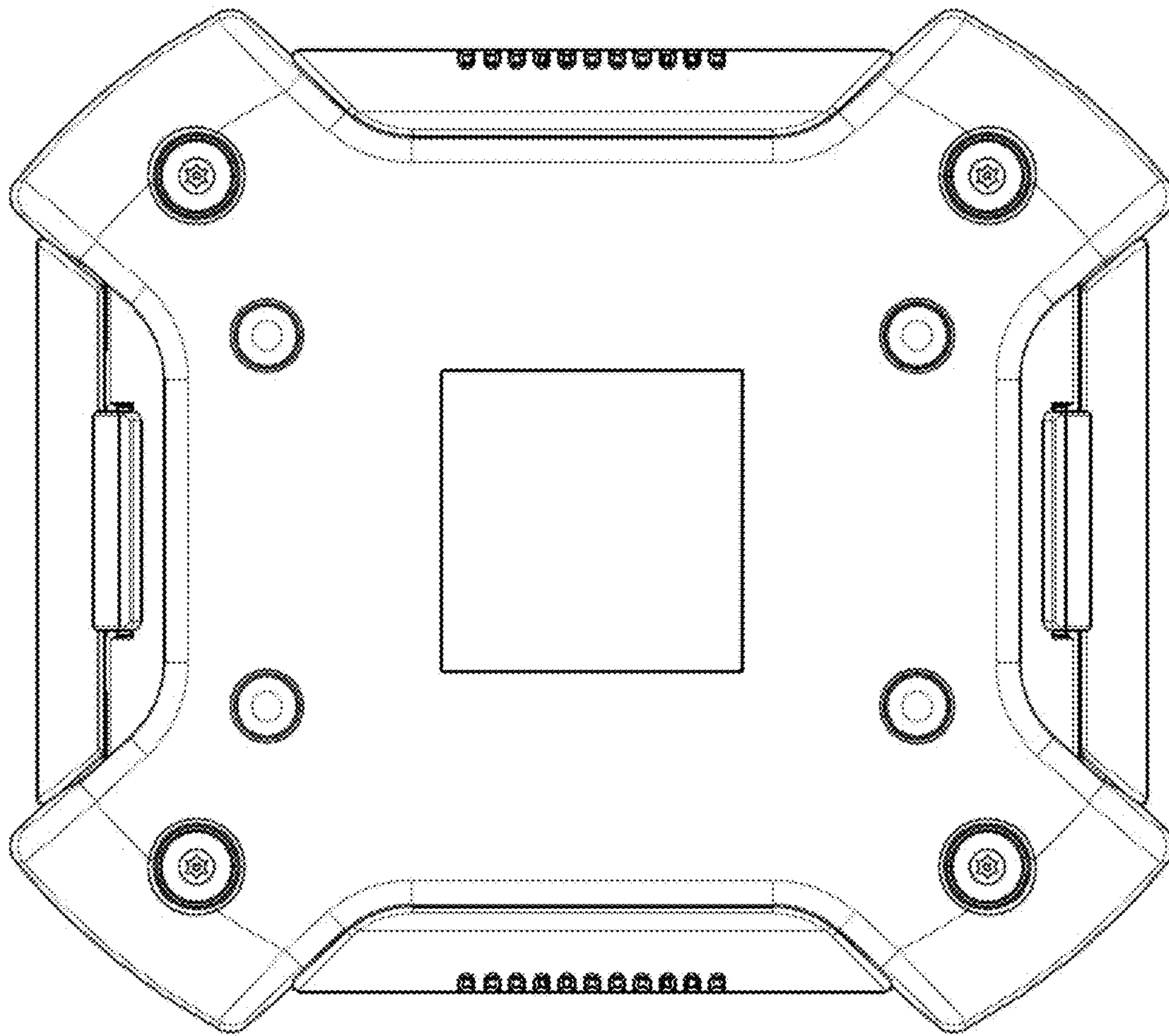


FIG. 2

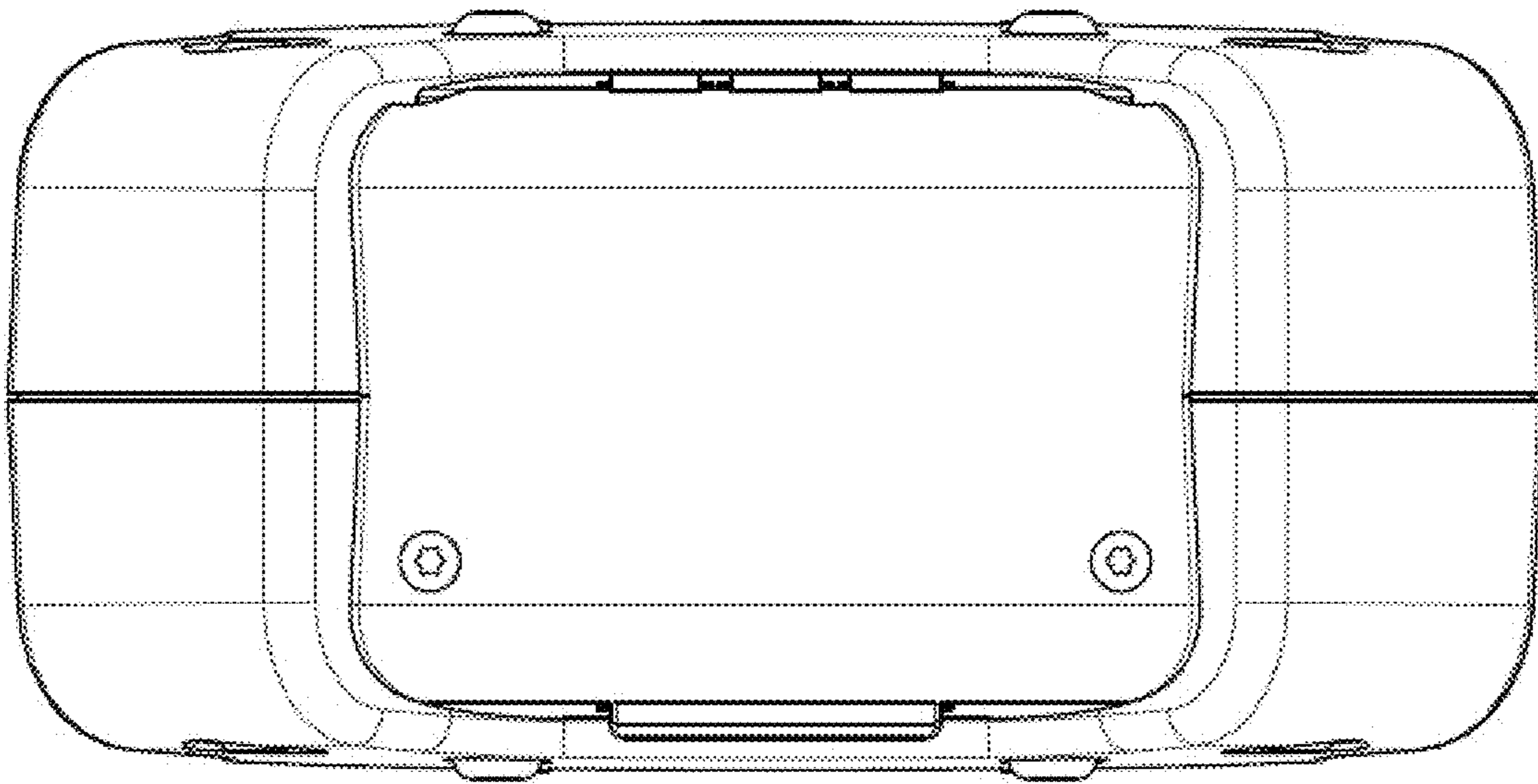


FIG. 3

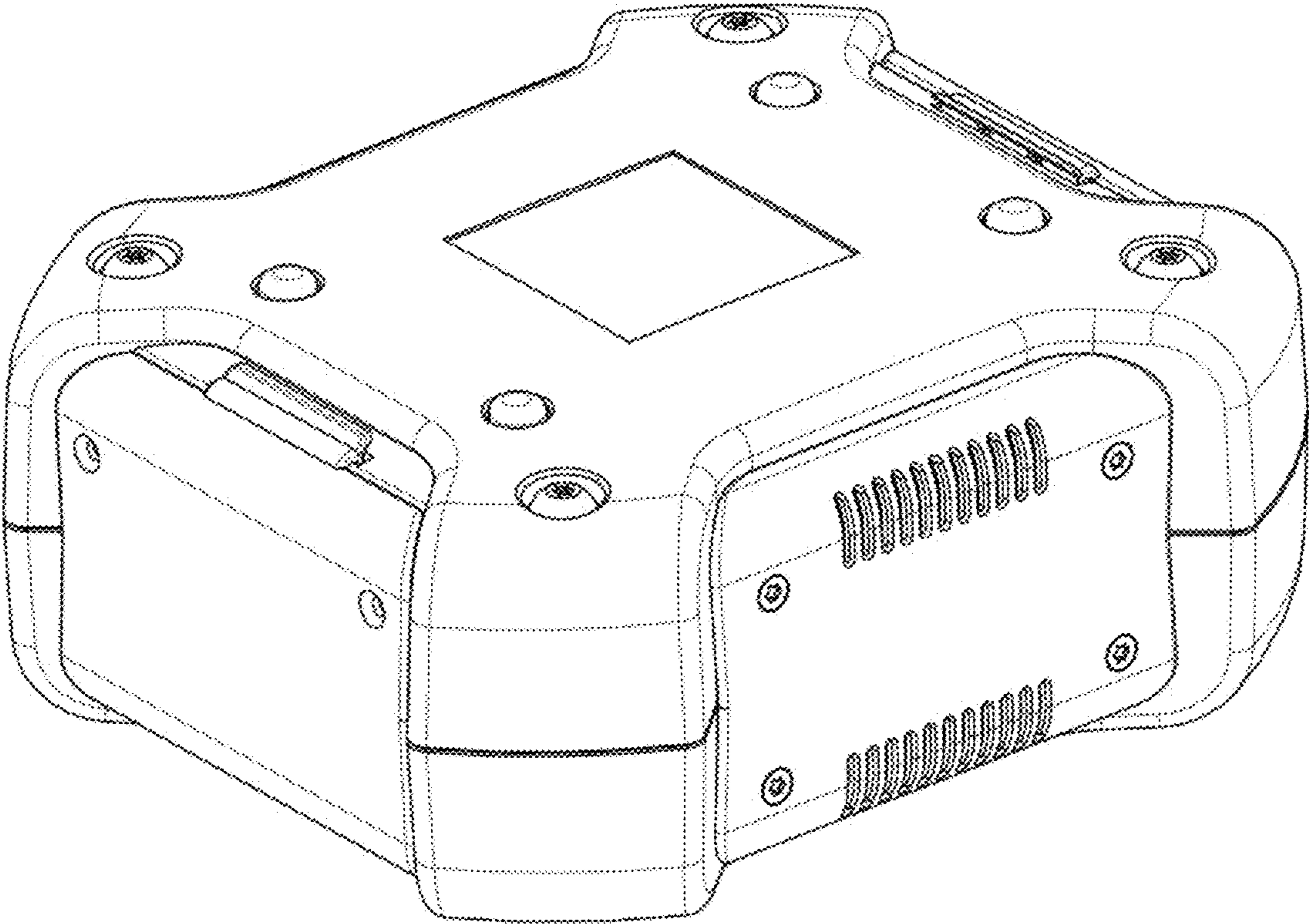


FIG. 4

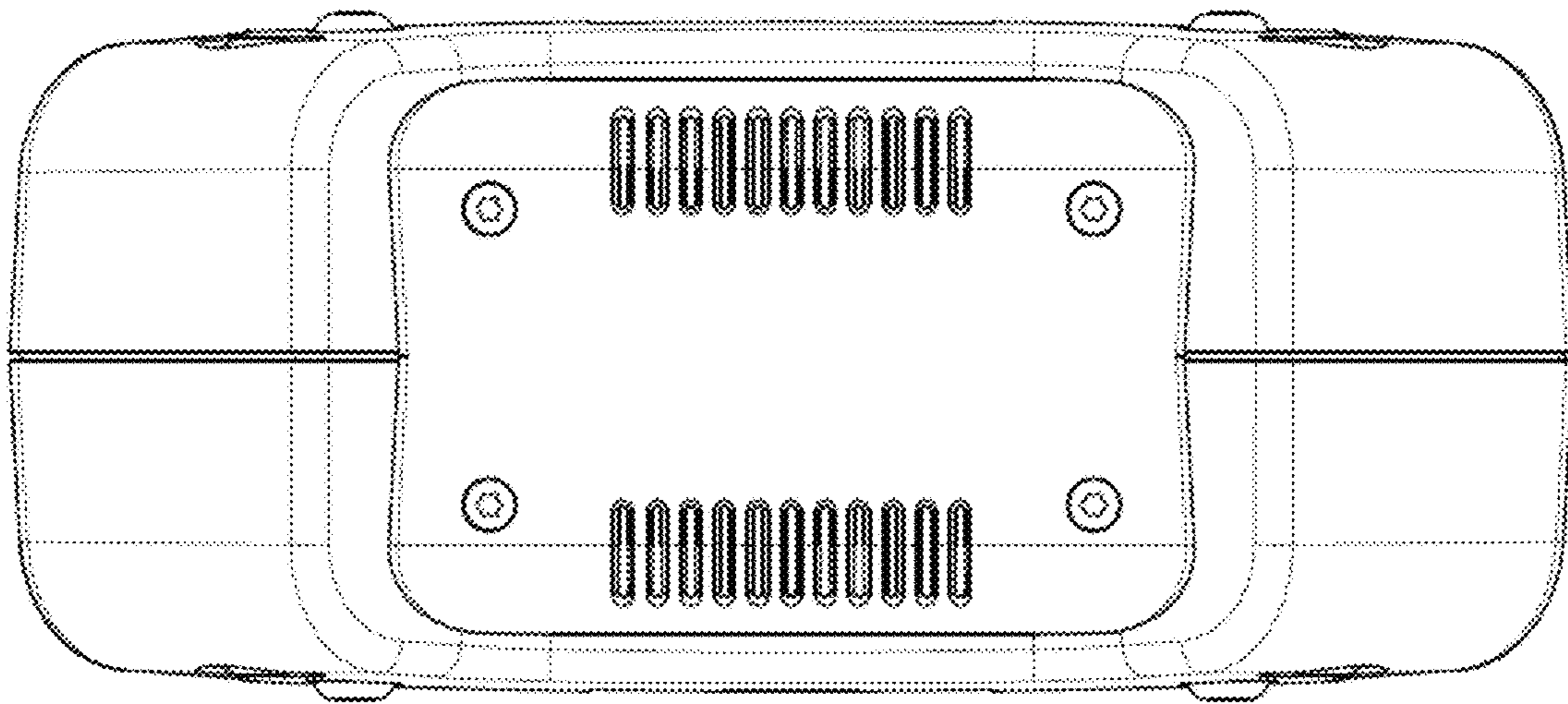


FIG. 5

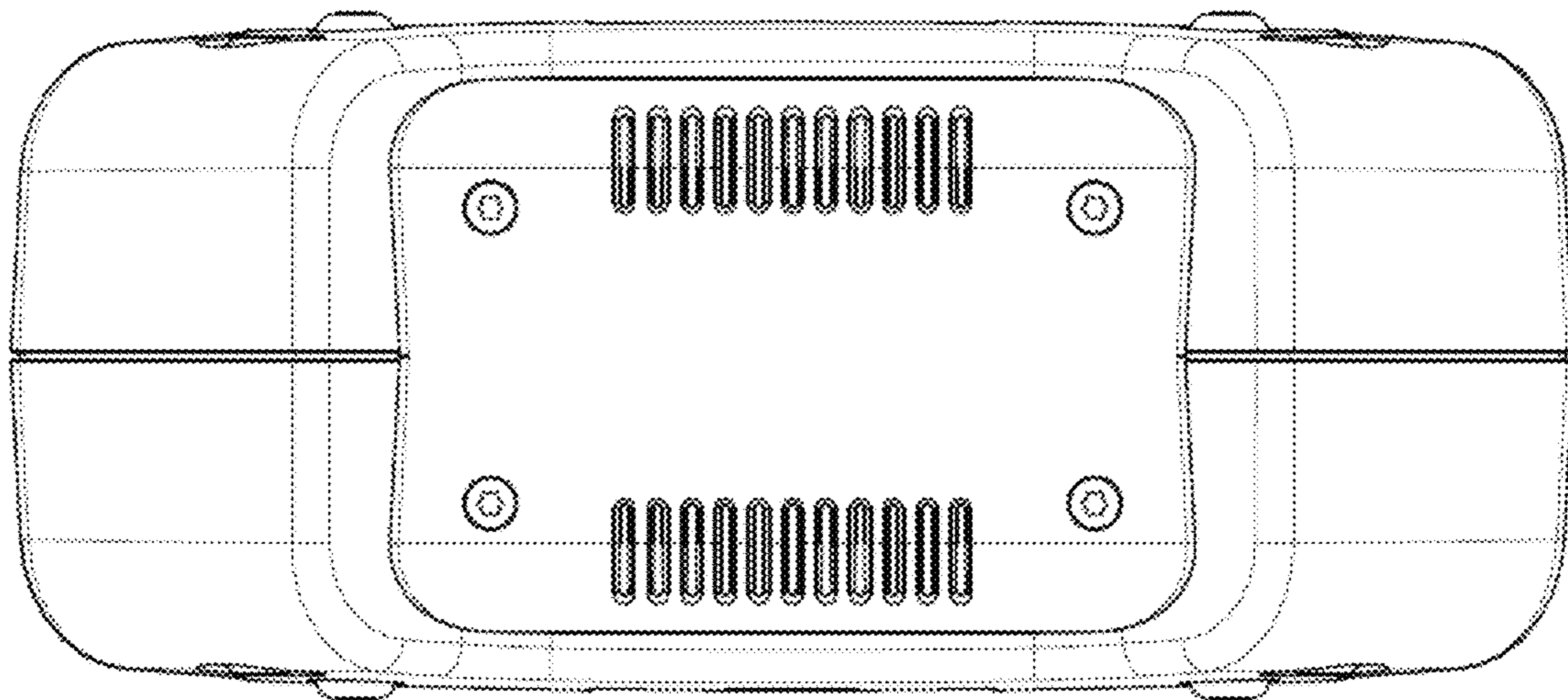


FIG. 6

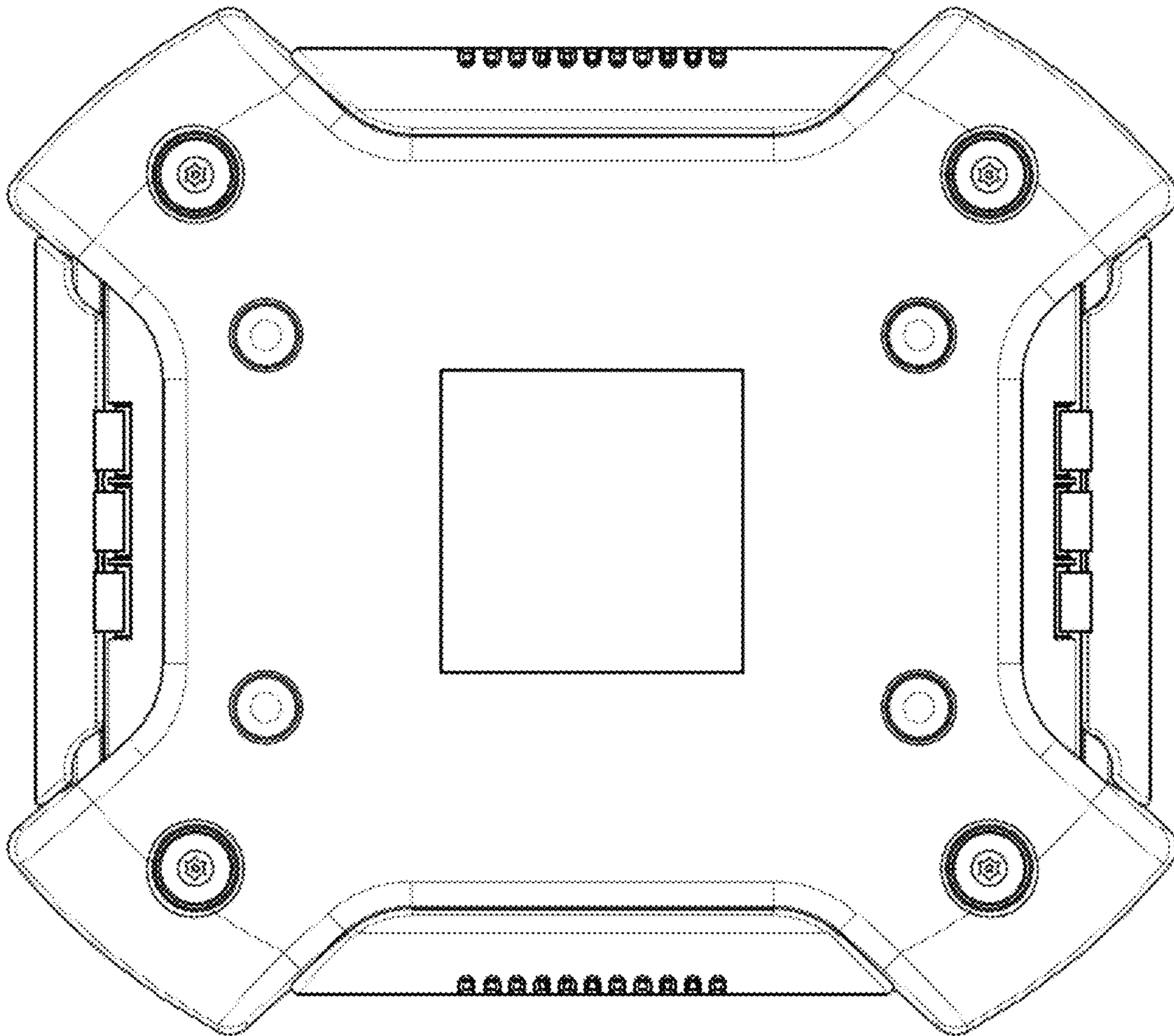


FIG. 7