



US00D860190S

(12) **United States Design Patent** (10) **Patent No.:** **US D860,190 S**  
**Liao** (45) **Date of Patent:** **\*\* Sep. 17, 2019**

(54) **CAR MOUNT BRACKET**

(71) Applicant: **Gopod Group Ltd.,**  
Shenzhen/Guangdong (CN)

(72) Inventor: **Zhuowen Liao,** Shenzhen (CN)

(73) Assignee: **GOPOD GROUP LTD.** (CN)

(\*\*) Term: **15 Years**

(21) Appl. No.: **29/680,465**

(22) Filed: **Feb. 15, 2019**

(30) **Foreign Application Priority Data**

Jan. 31, 2019 (CN) ..... 2019 3 0057525

(51) **LOC (12) Cl.** ..... **14-03**

(52) **U.S. Cl.**  
USPC ..... **D14/253**

(58) **Field of Classification Search**  
USPC ..... D14/251–253, 358, 432, 434, 440, 447;  
D3/218; D16/242, 243; D12/415;  
D13/107, 108

CPC ..... A45C 11/00; A45F 5/00; F16M 11/06  
See application file for complete search history.

(56) **References Cited**

**U.S. PATENT DOCUMENTS**

D784,923 S \* 4/2017 Song ..... D13/108  
D799,466 S \* 10/2017 Sukphist ..... D14/253

D799,468 S \* 10/2017 Chen ..... D14/253  
D807,339 S \* 1/2018 Lan ..... D14/253  
D816,076 S \* 4/2018 Ahn ..... D14/253  
D820,247 S \* 6/2018 Ahn ..... D14/253  
D838,267 S \* 1/2019 Zhang ..... D14/253  
D845,961 S \* 4/2019 Yao ..... D14/447  
D848,412 S \* 5/2019 Greve ..... D14/253  
2016/0318455 A1\* 11/2016 Zhang ..... F16M 11/105  
2016/0325693 A1\* 11/2016 Kim ..... B60R 11/02  
2017/0035172 A1\* 2/2017 Kim ..... A45C 13/1069

\* cited by examiner

*Primary Examiner* — Janice Hallmark

(74) *Attorney, Agent, or Firm* — RC Patent Services

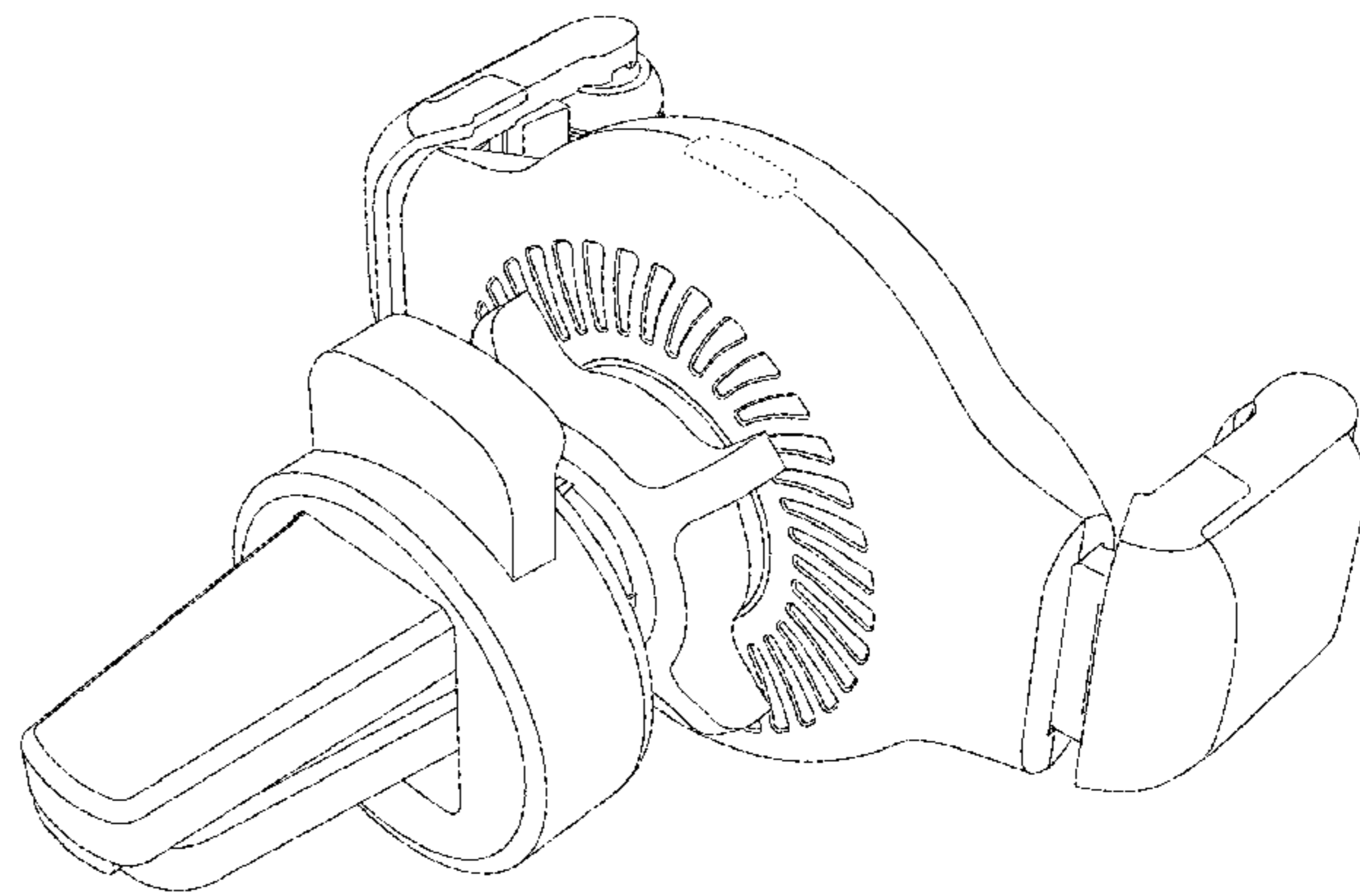
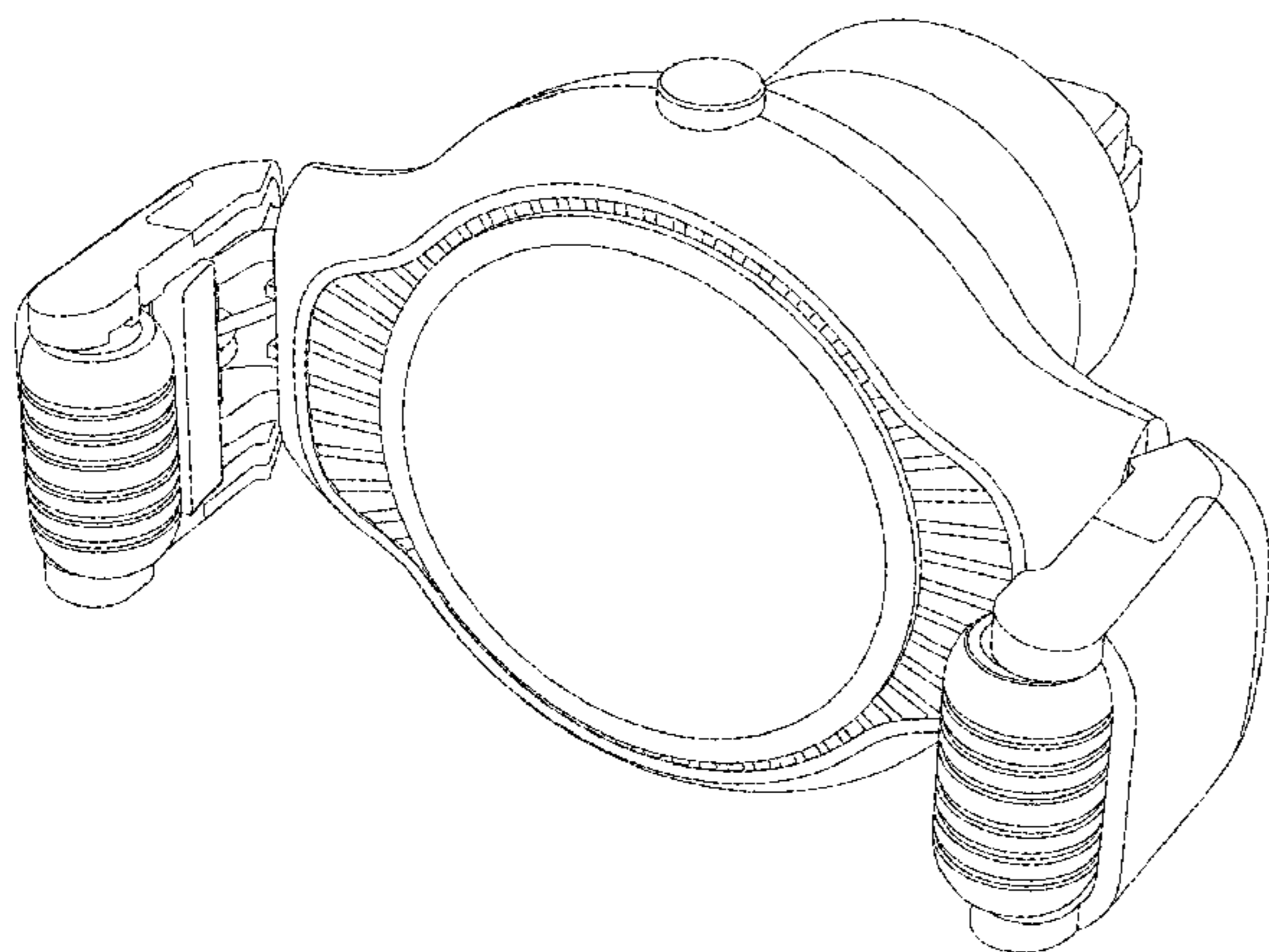
(57) **CLAIM**

The ornamental design for a car mount bracket, as shown and described.

**DESCRIPTION**

FIG. 1 is a top view of a car mount bracket showing my new design;  
FIG. 2 is a left side view thereof;  
FIG. 3 is a right side view thereof;  
FIG. 4 is a bottom view thereof;  
FIG. 5 is a front view thereof;  
FIG. 6 is a rear view thereof;  
FIG. 7 is a top, rear, right side perspective view thereof; and,  
FIG. 8 is a bottom, front, right side perspective view thereof.

**1 Claim, 8 Drawing Sheets**



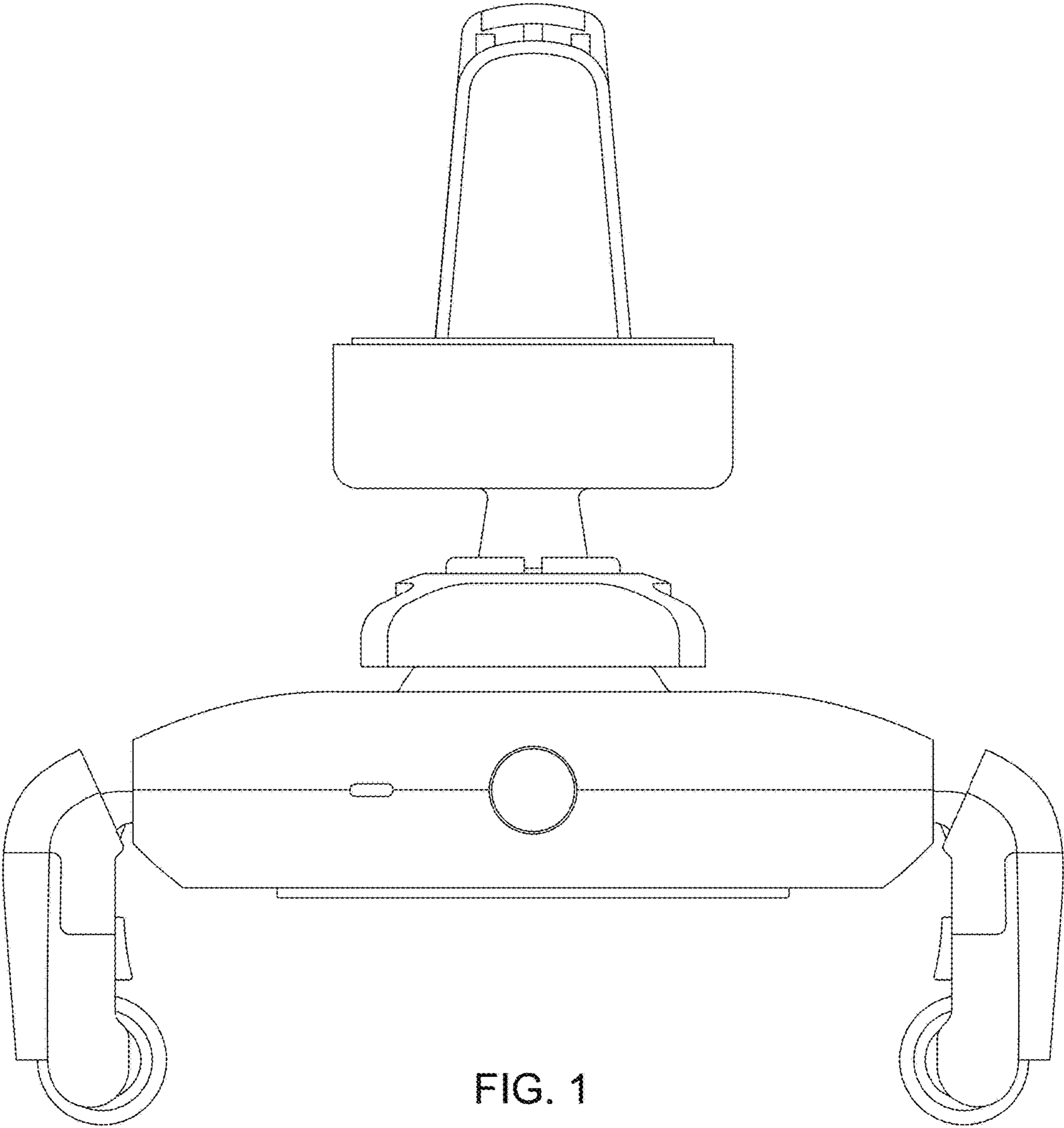


FIG. 1

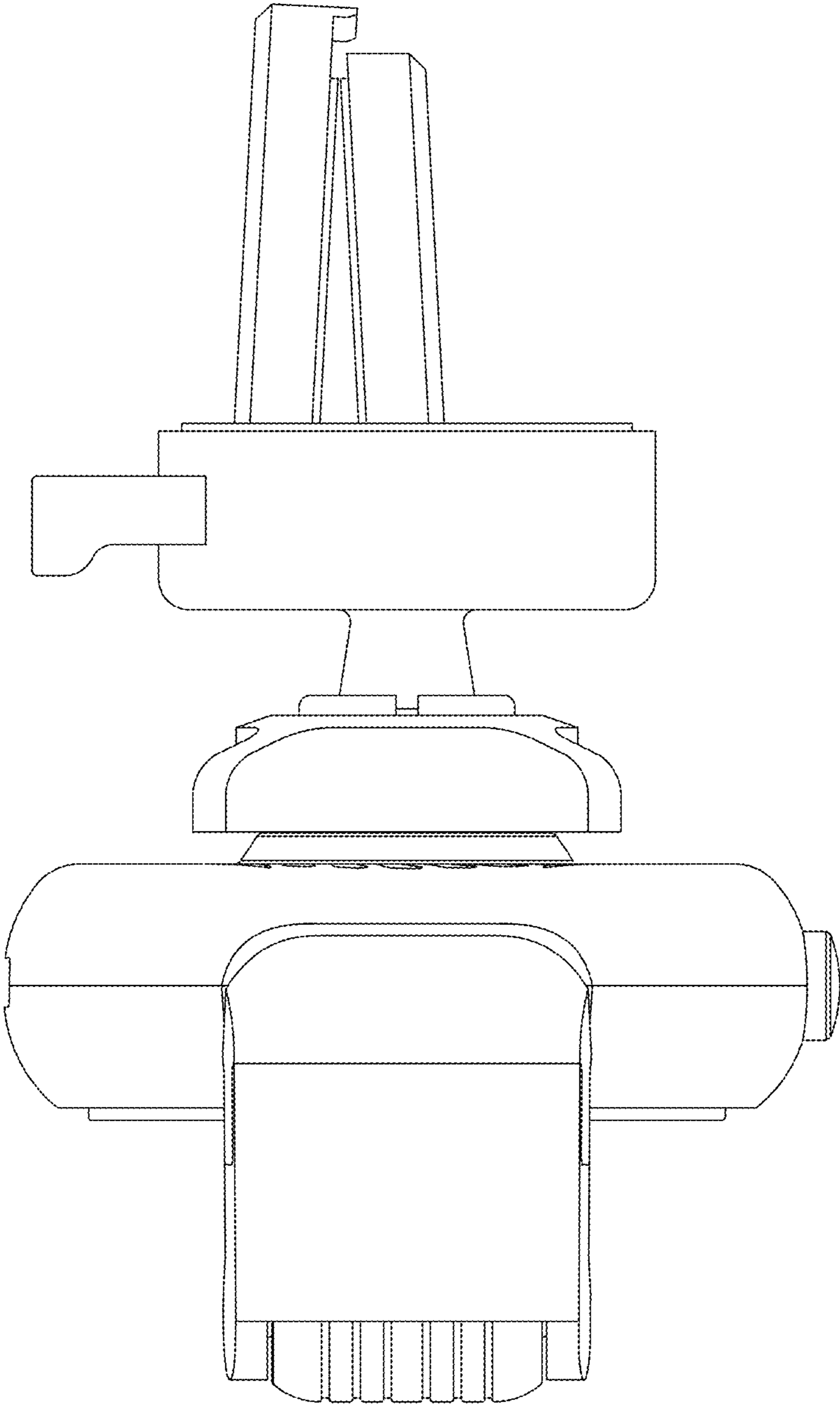


FIG. 2

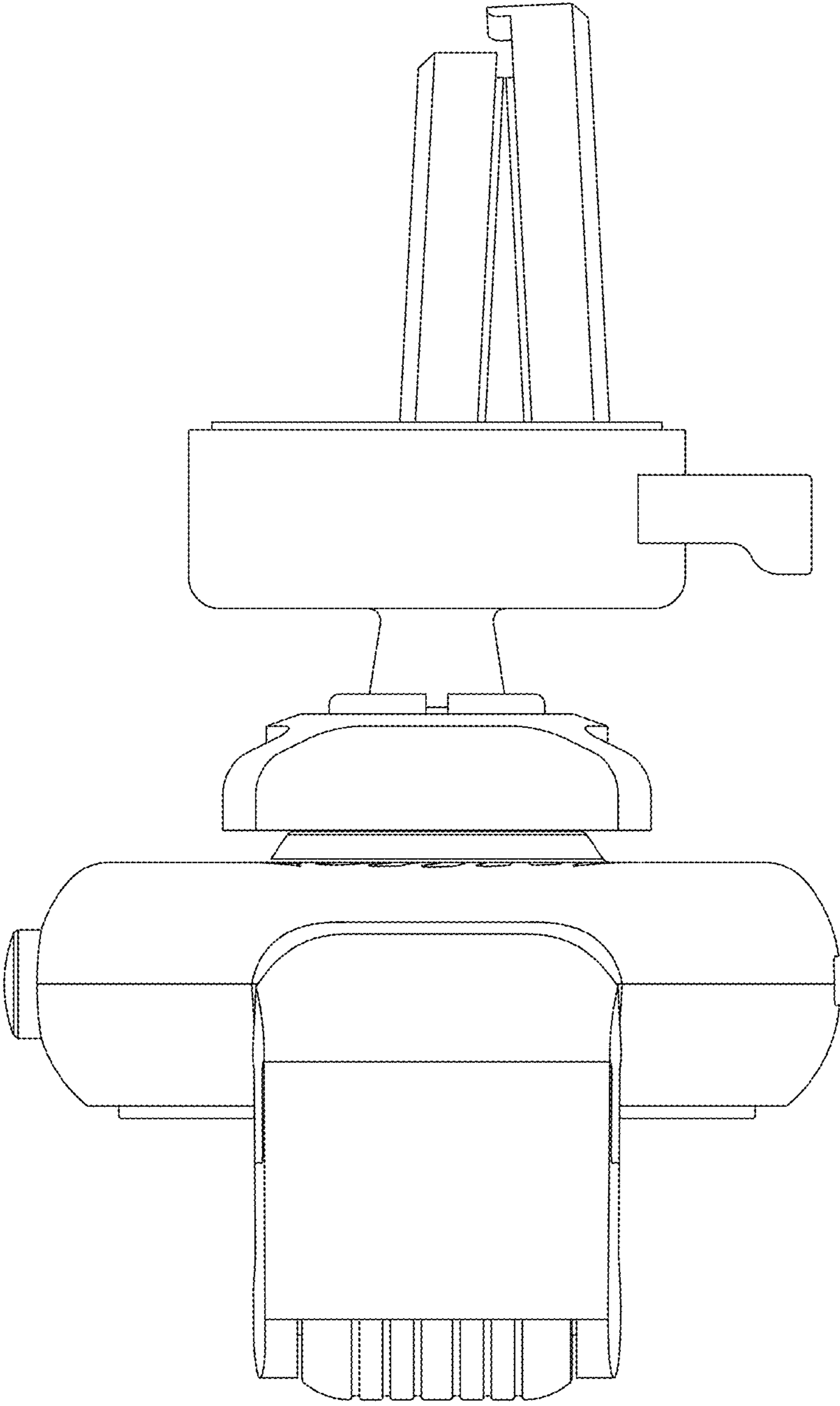


FIG. 3

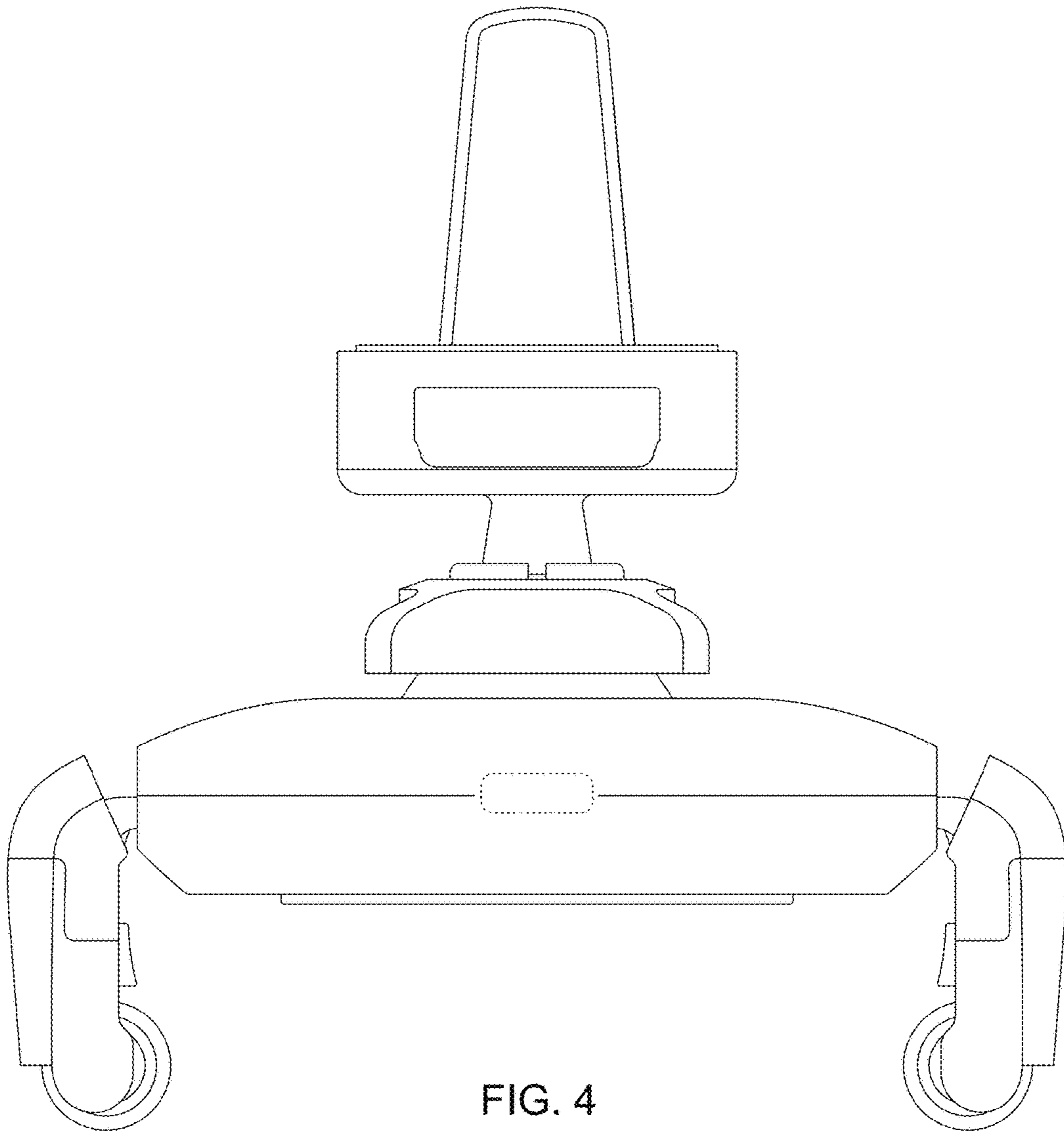


FIG. 4

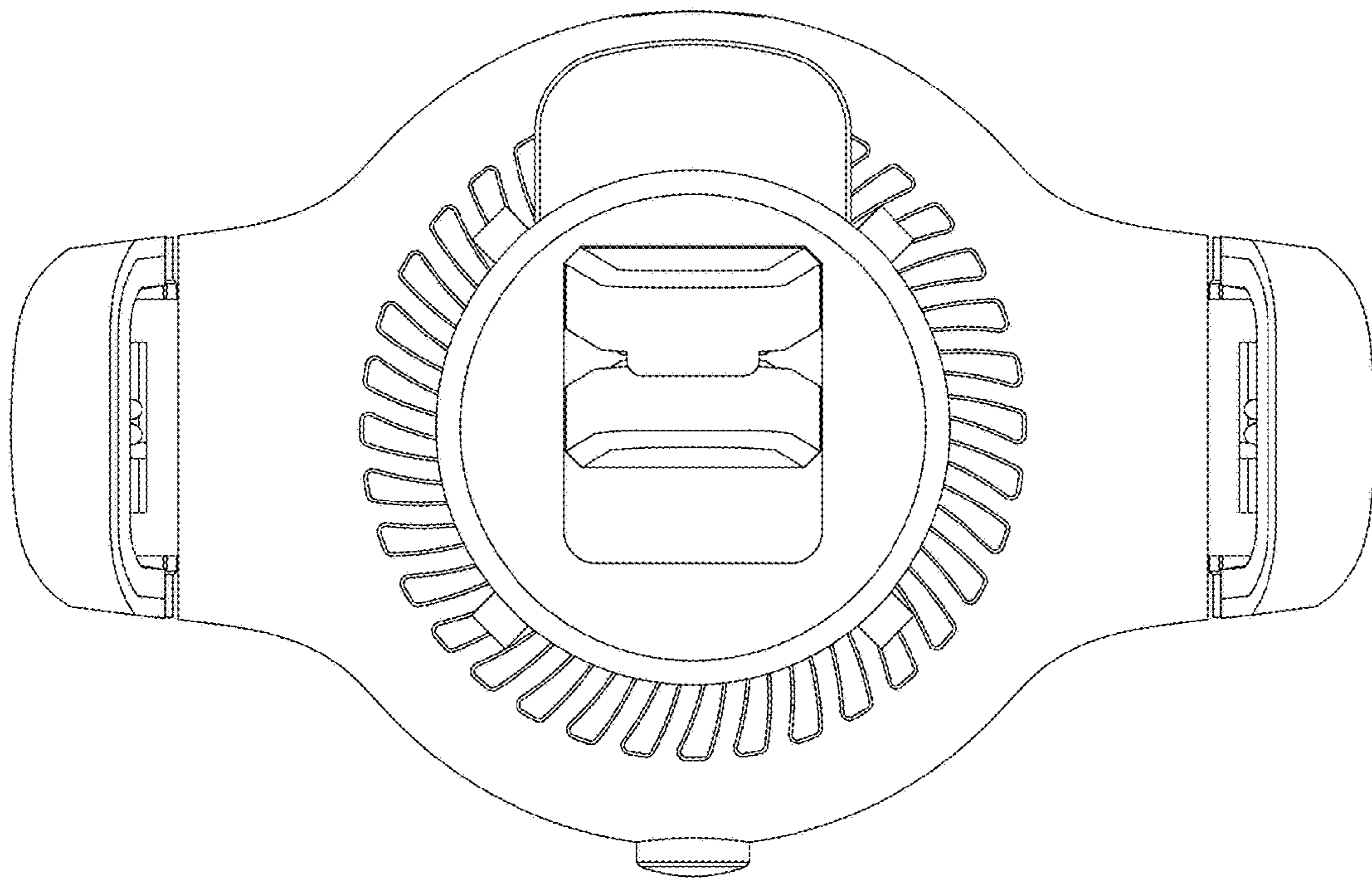


FIG. 5

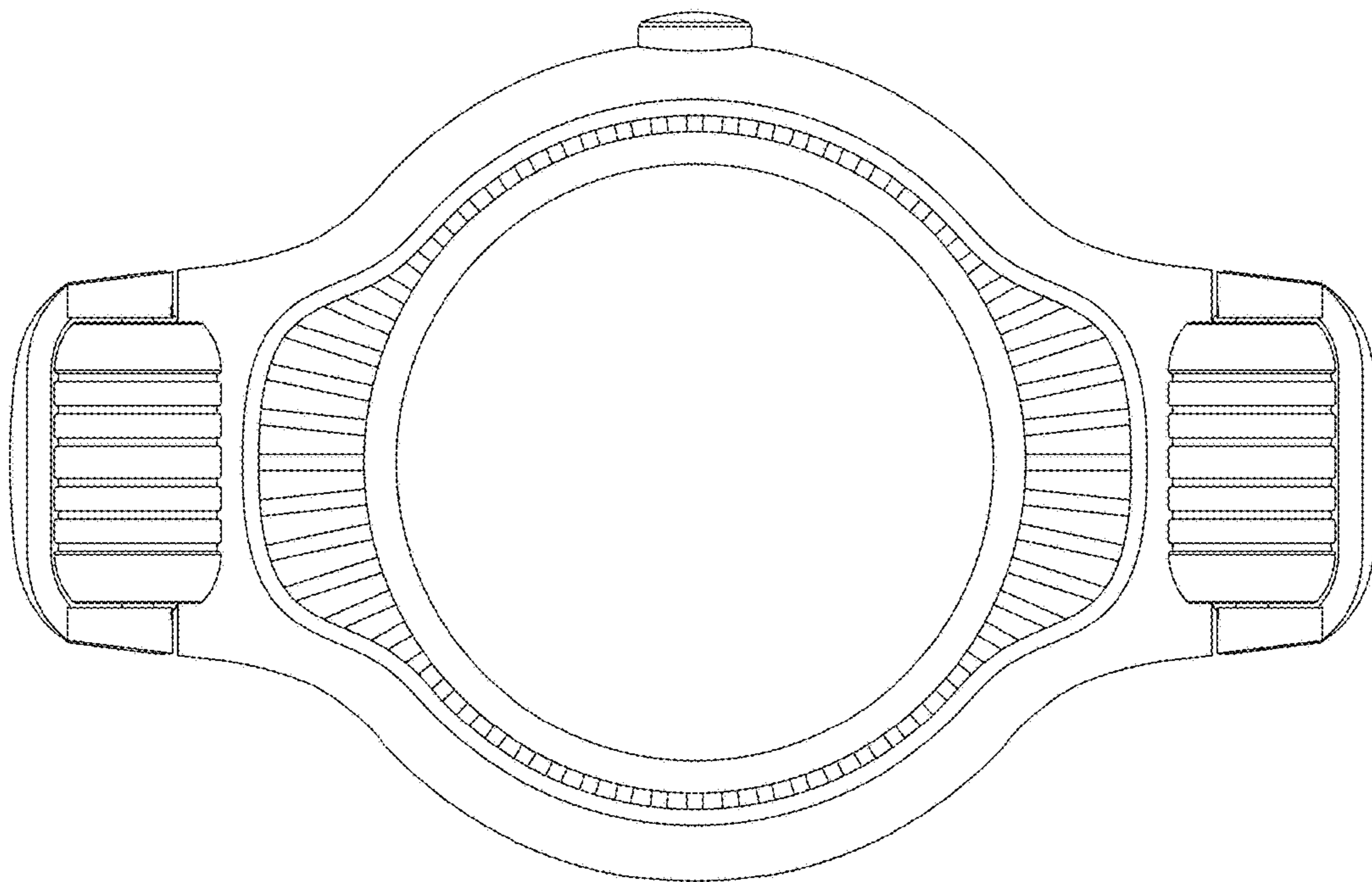


FIG. 6

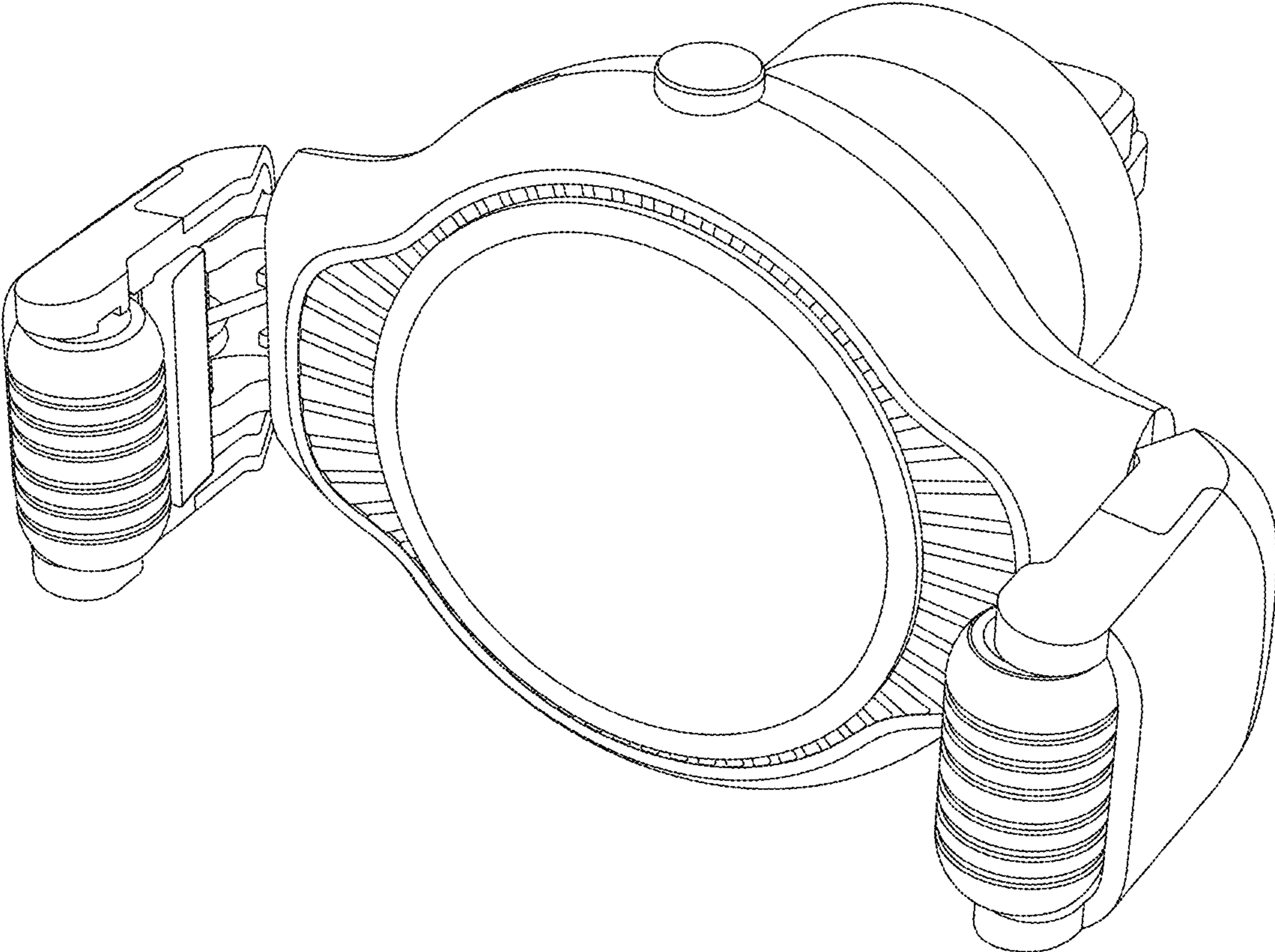


FIG. 7



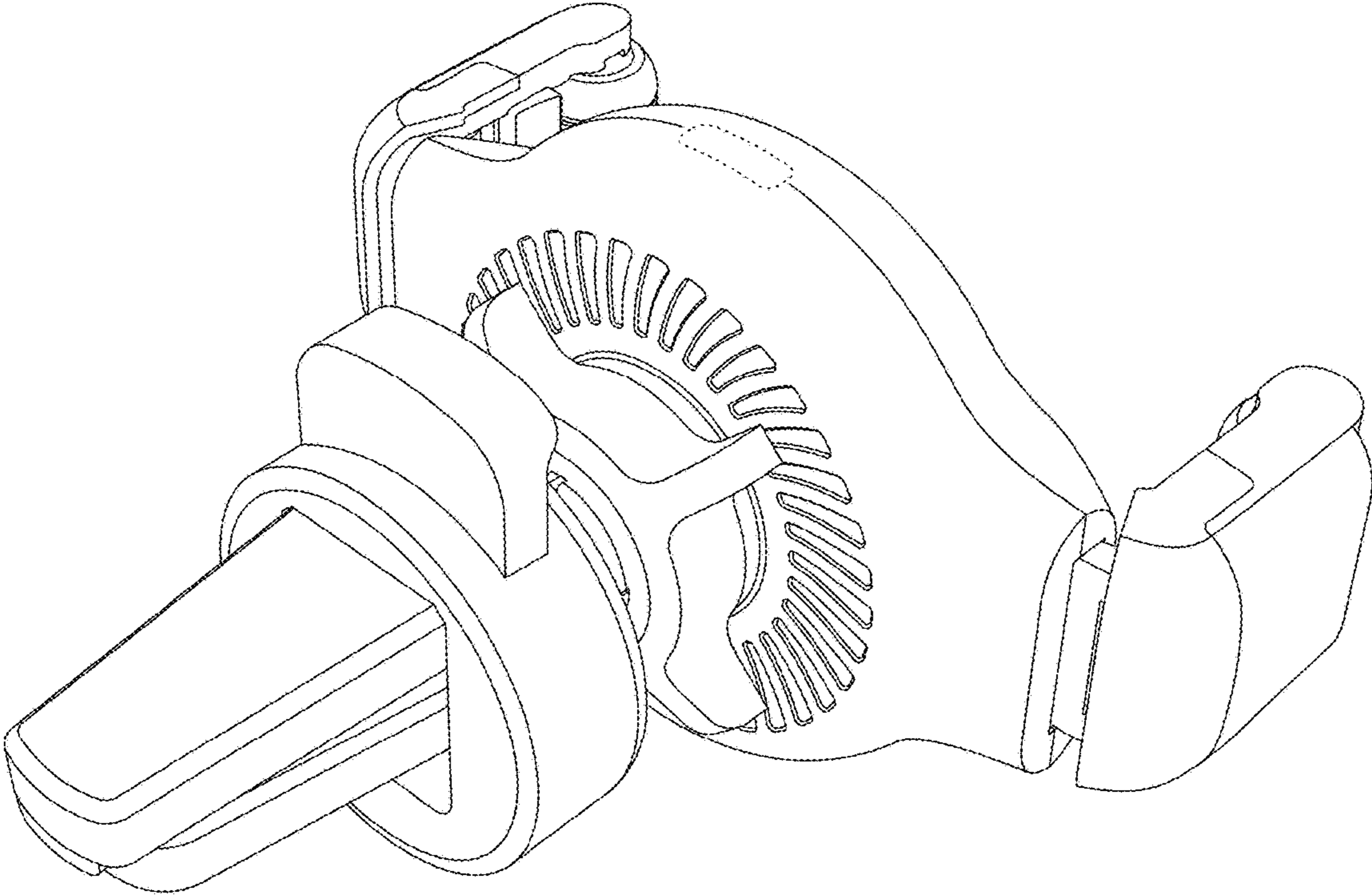


FIG. 8