



US00D860189S

(12) **United States Design Patent**
Gu

(10) **Patent No.:** **US D860,189 S**

(45) **Date of Patent:** **** Sep. 17, 2019**

(54) **CELLPHONE BRACKET TO CONNECT RIFLESCOPE**

D723,600 S * 3/2015 Nauli D16/131
D745,591 S * 12/2015 Oh D16/136
D745,917 S * 12/2015 Oh D16/136

(71) Applicant: **Ningbo Qihang Optics Instrument Co., Ltd., Zhejiang P.R. (CN)**

(72) Inventor: **Linsong Gu, Zhejiang (CN)**

(73) Assignee: **Ningbo Qihang Optics Instrument Co., Ltd., Zhejiang (CN)**

(**) Term: **15 Years**

(21) Appl. No.: **29/676,256**

(22) Filed: **Jan. 9, 2019**

(51) **LOC (12) Cl.** **14-03**

(52) **U.S. Cl.**
USPC **D14/253; D16/242; D22/108**

(58) **Field of Classification Search**
USPC D8/29, 40-41; D16/130-136, 219, D16/237-250; D22/108, 110; D14/224, D14/229, 238, 251, 253, 433, 434
CPC G03B 17/56
See application file for complete search history.

(56) **References Cited**

U.S. PATENT DOCUMENTS

D156,709 S * 1/1950 Drazick 81/3.42
3,074,592 A * 1/1963 Stocking B67B 7/24
220/278
D271,618 S * 11/1983 Nishigaki D16/134
D273,871 S * 5/1984 Shigoku D16/136
D433,607 S * 11/2000 Park D8/34
D562,095 S * 2/2008 Ivey D8/40
D594,303 S * 6/2009 Mah D8/41
D634,597 S * 3/2011 Mah D8/41
D649,849 S * 12/2011 Bates D8/40
D649,993 S * 12/2011 Ding D16/134
D692,286 S * 10/2013 Hager D8/14
D708,652 S * 7/2014 Hyers D16/136
D708,653 S * 7/2014 Hyers D16/136

OTHER PUBLICATIONS

Universal Cell Phone Adapter Mount Binocular Spotting Scope Telescope Clip Bracket Portable Holder Free 1.25" Eyepiece: Published Aug. 27, 2018 [online], site visited Apr. 1, 2019. Available from Internet URL: https://www.amazon.com/dp/B07GR12PZ4/ref=cm_sw_r_tw_dp_U_x_zFAOCbN9QAW4G (Year: 2019).*

* cited by examiner

Primary Examiner — Garth Rademaker

Assistant Examiner — Melvin L Davis

(74) *Attorney, Agent, or Firm* — Wood, Phillips, Katz, Clark & Mortimer

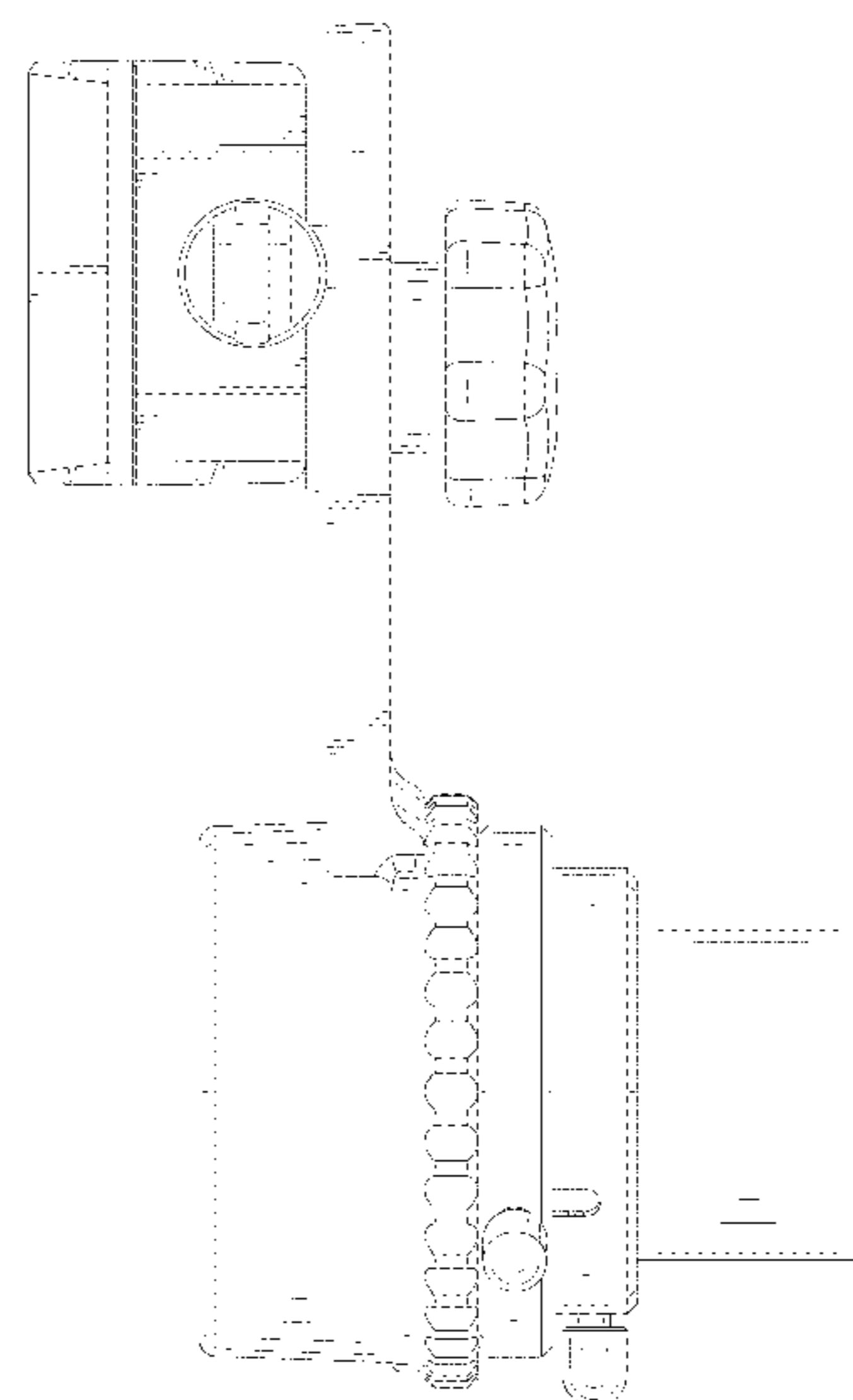
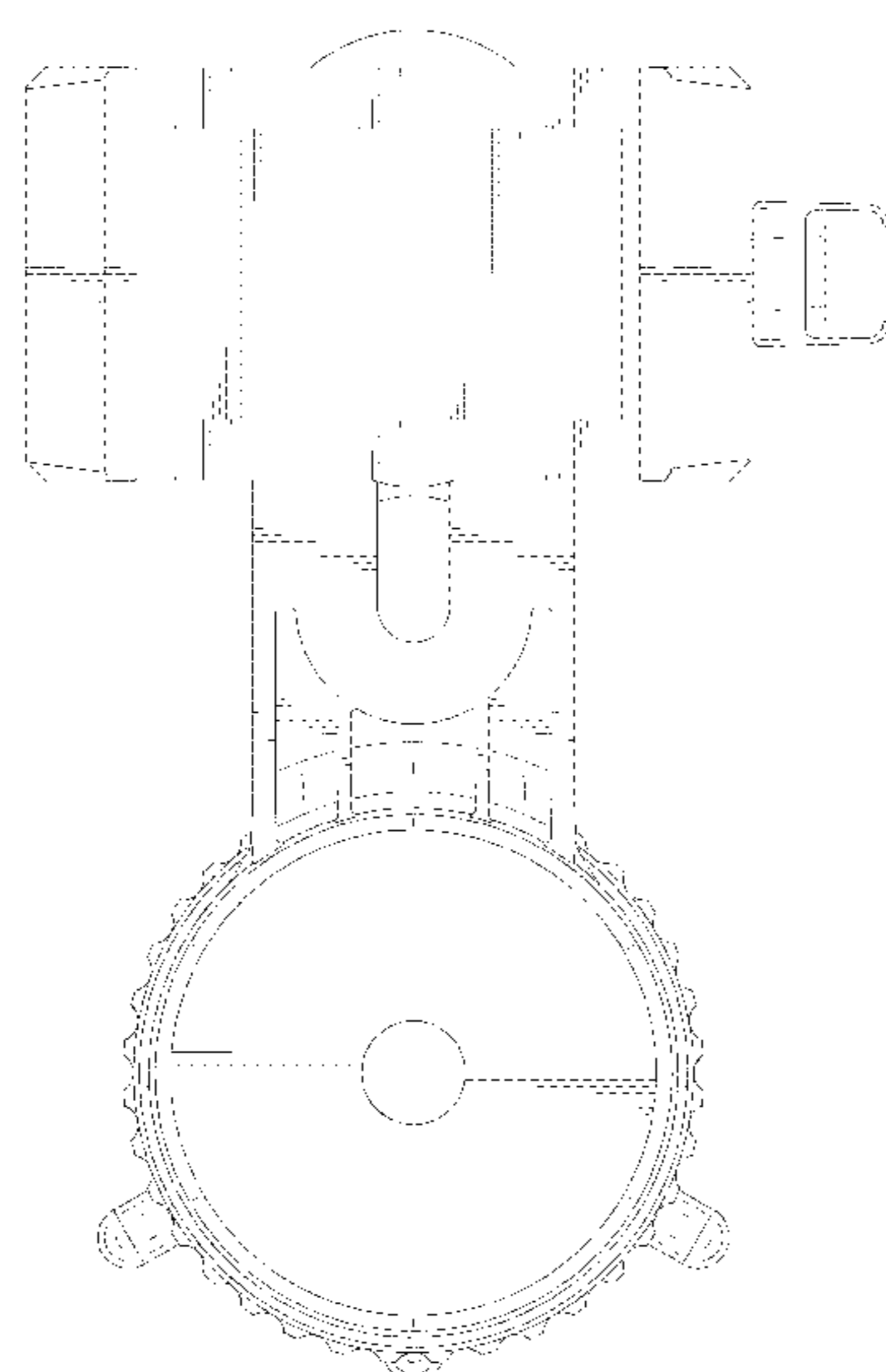
(57) **CLAIM**

The design for a cellphone bracket to connect riflescope substantially, as shown and described.

DESCRIPTION

FIG. 1 is a front elevational view of the present cellphone bracket;
FIG. 2 is a rear elevational view of the present cellphone bracket;
FIG. 3 is a right side elevational view of the present cellphone bracket;
FIG. 4 is a left side elevational view of the present cellphone bracket;
FIG. 5 is a top plane view thereof;
FIG. 6 is a bottom plane view thereof;
FIG. 7 is a front isometric view thereof;
FIG. 8 is a rear isometric view thereof;
FIG. 9 is an further front isometric view thereof; and,
FIG. 10 is a further rear isometric view thereof.

1 Claim, 10 Drawing Sheets



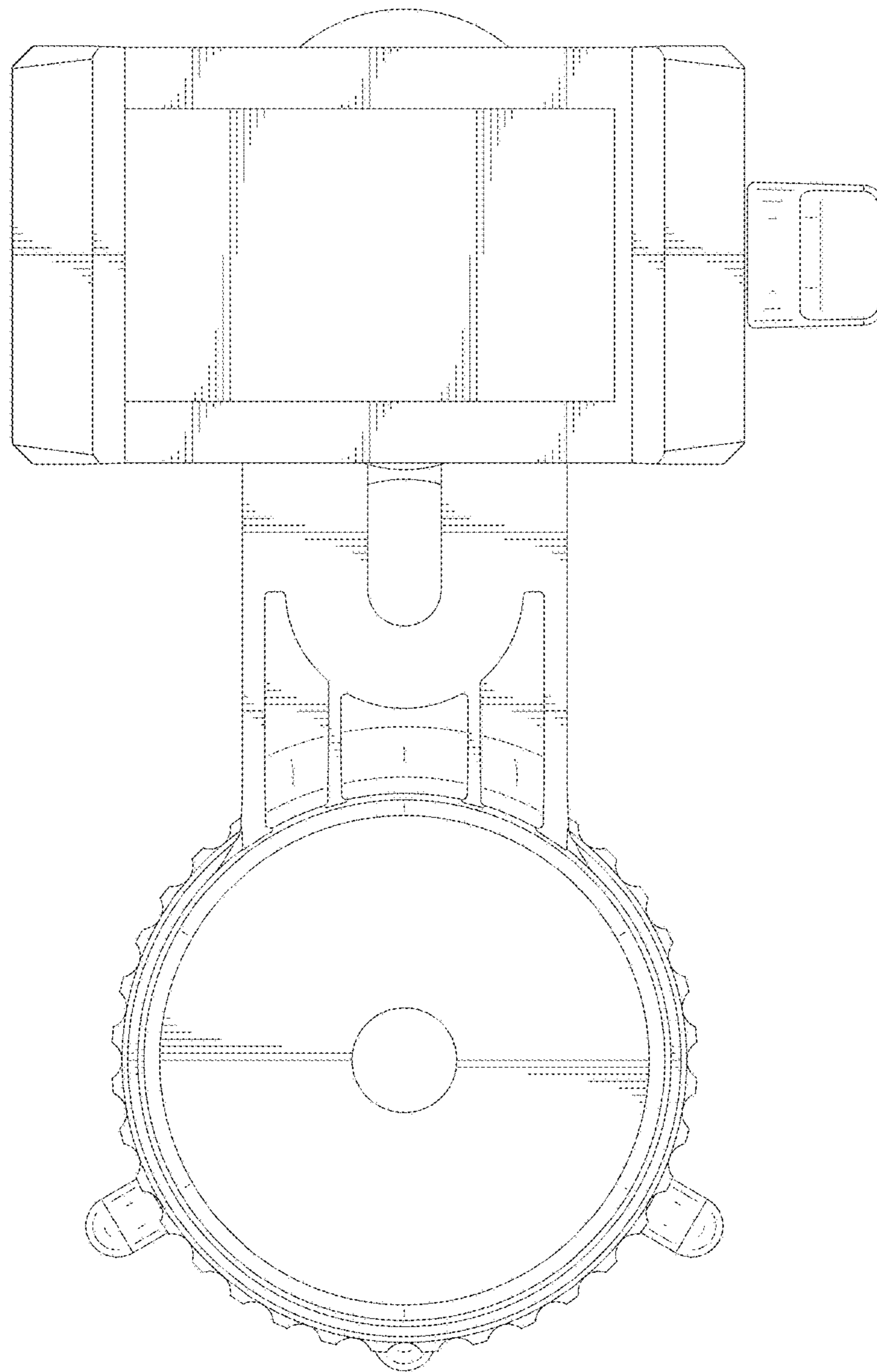


FIG.1

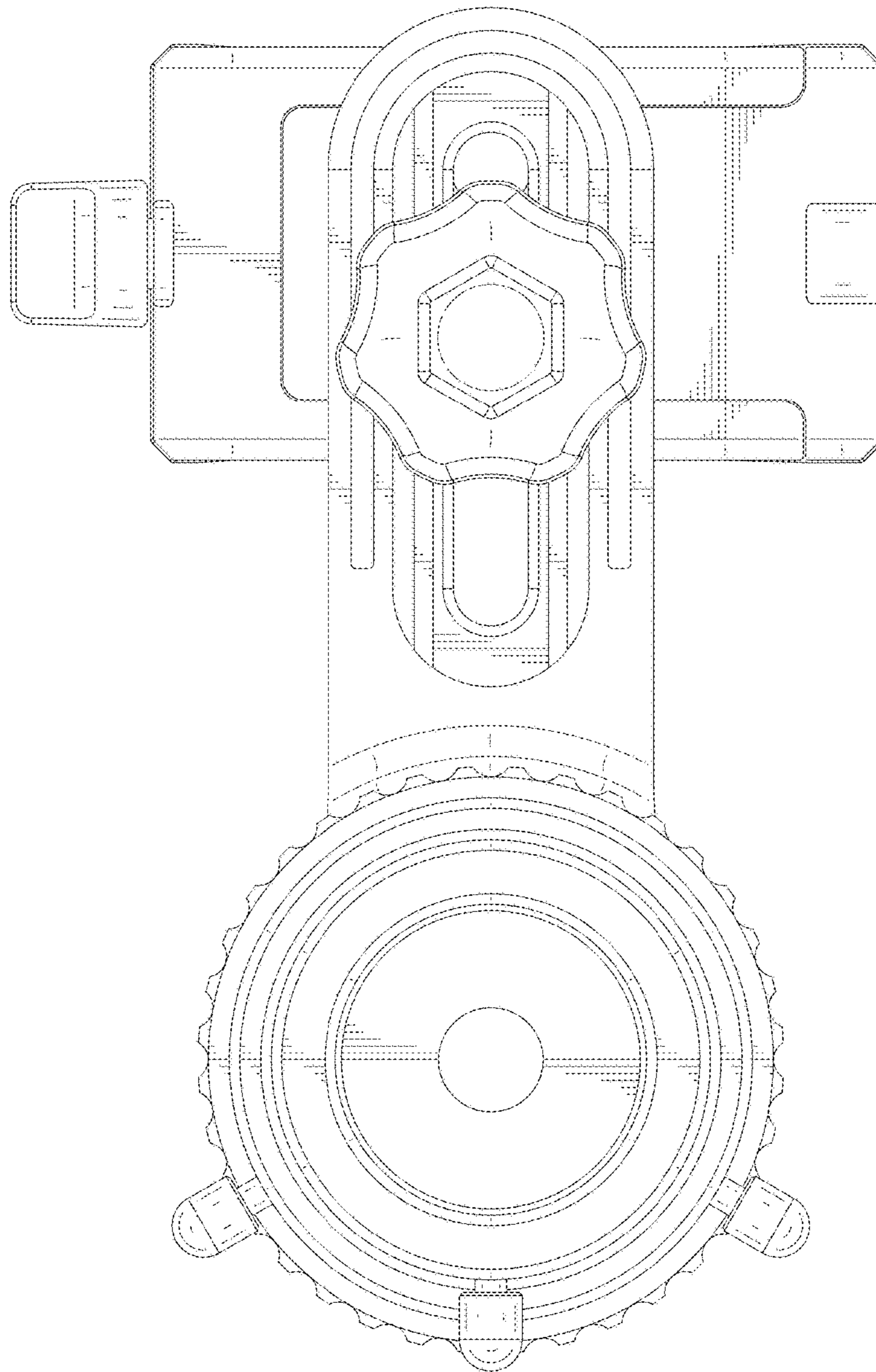


FIG.2

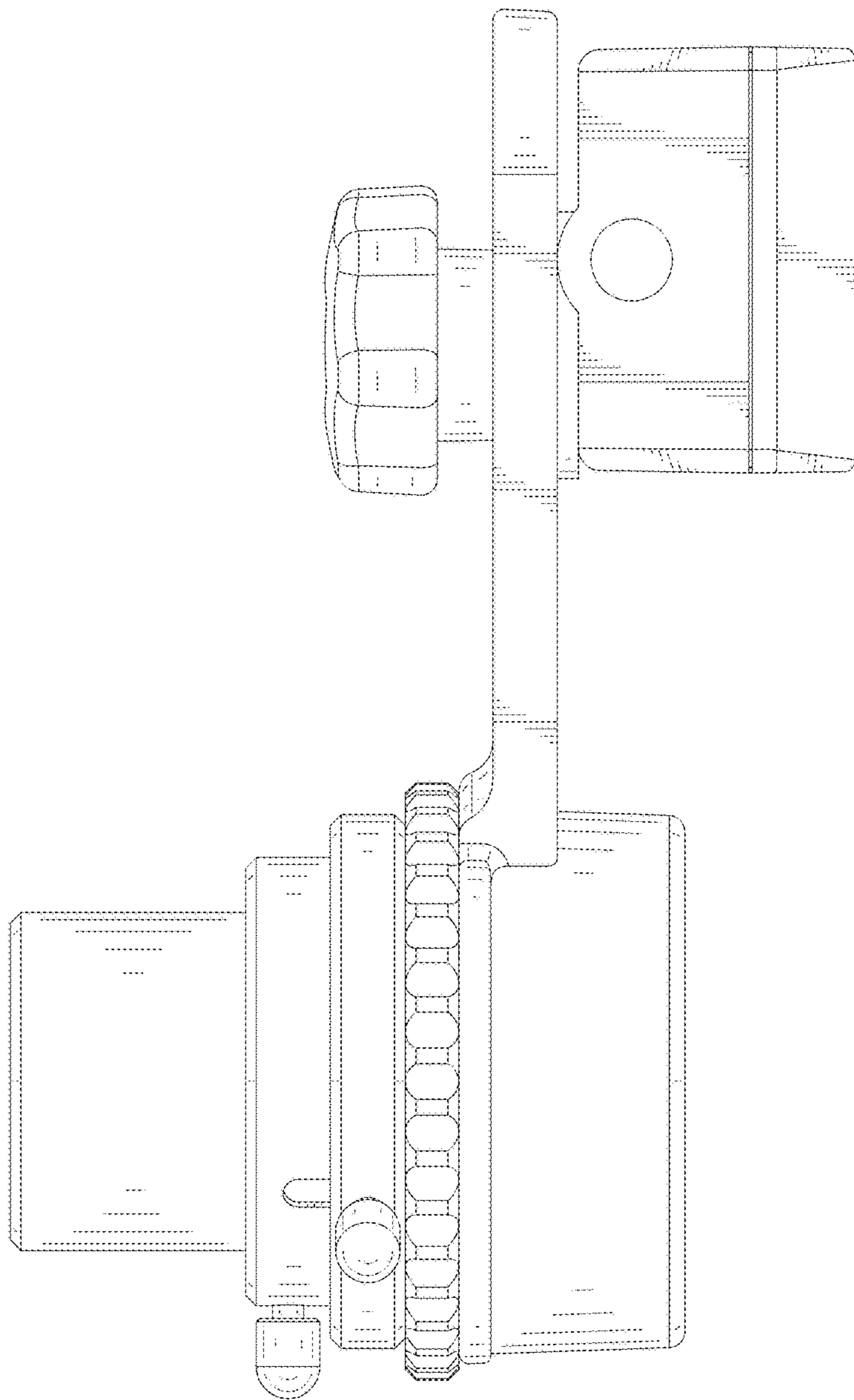


FIG.3

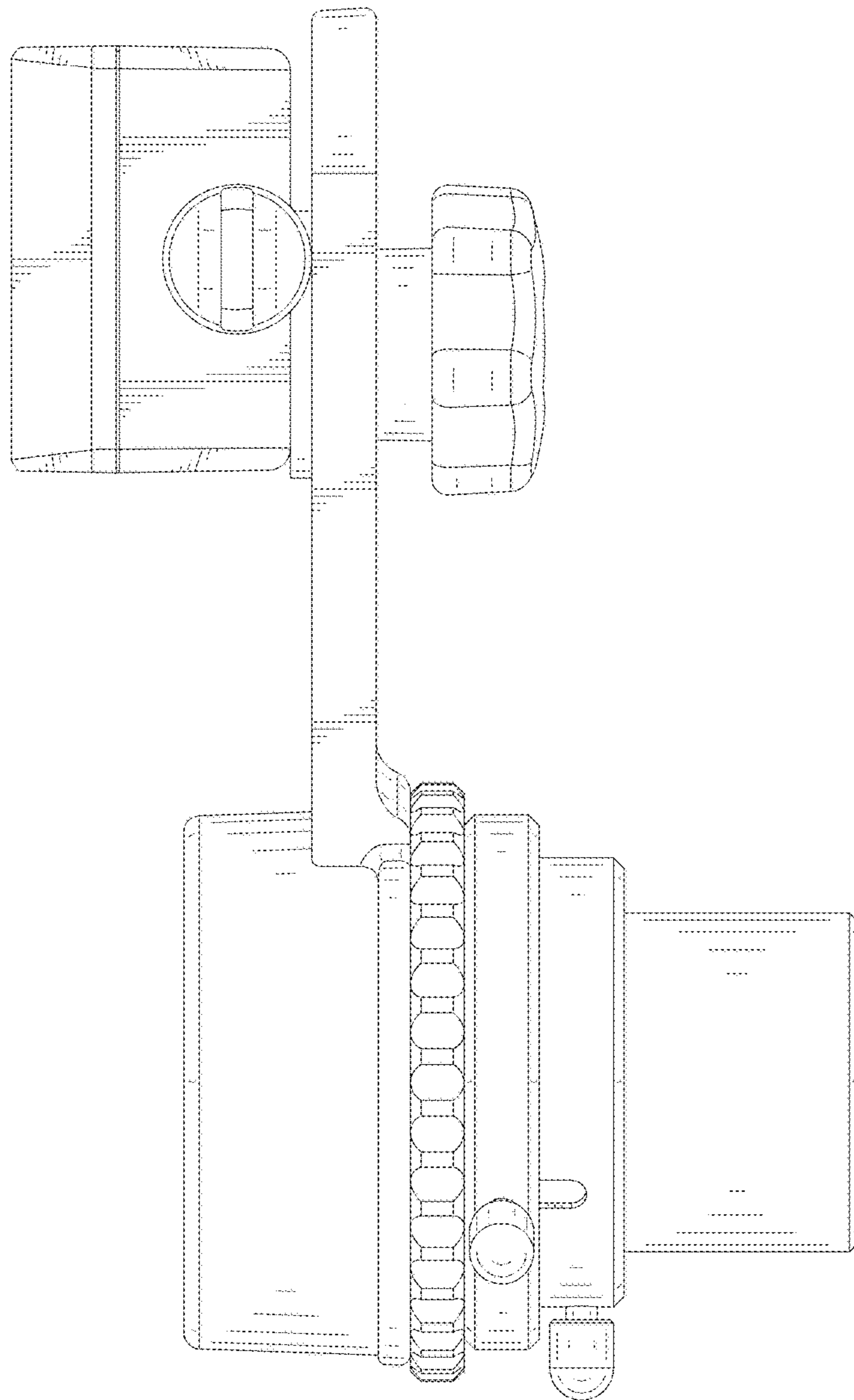


FIG.4

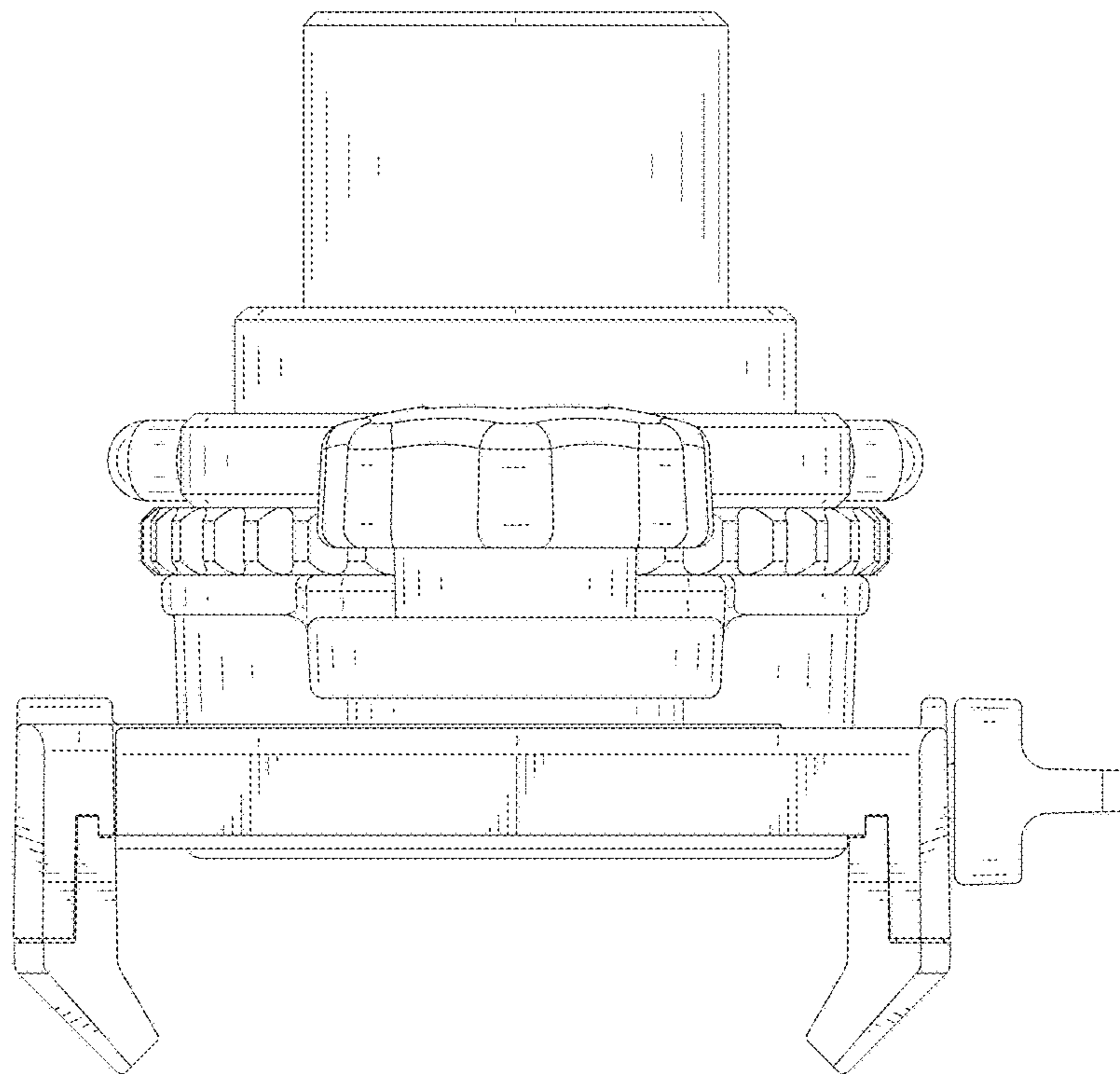


FIG.5

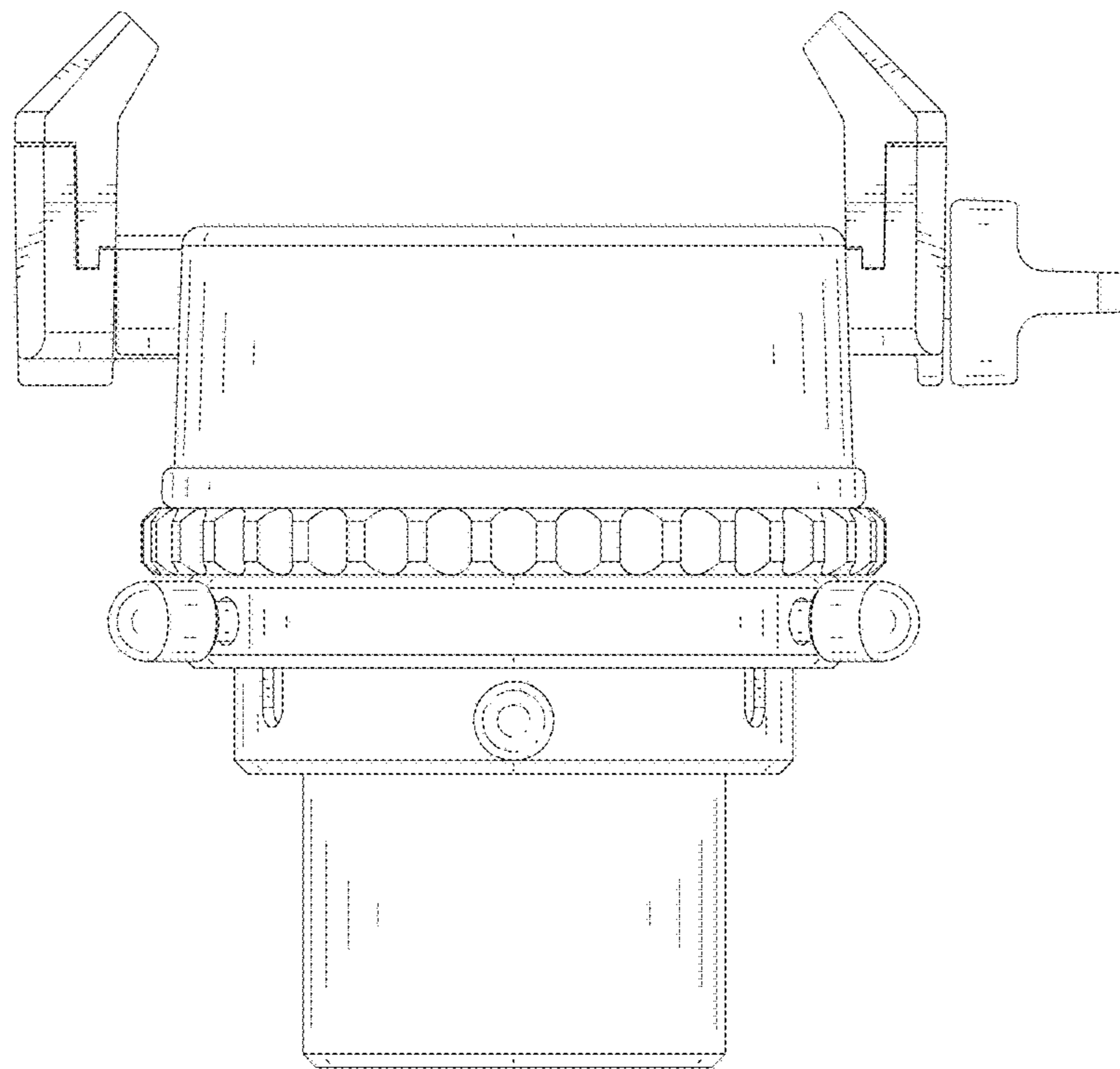


FIG.6

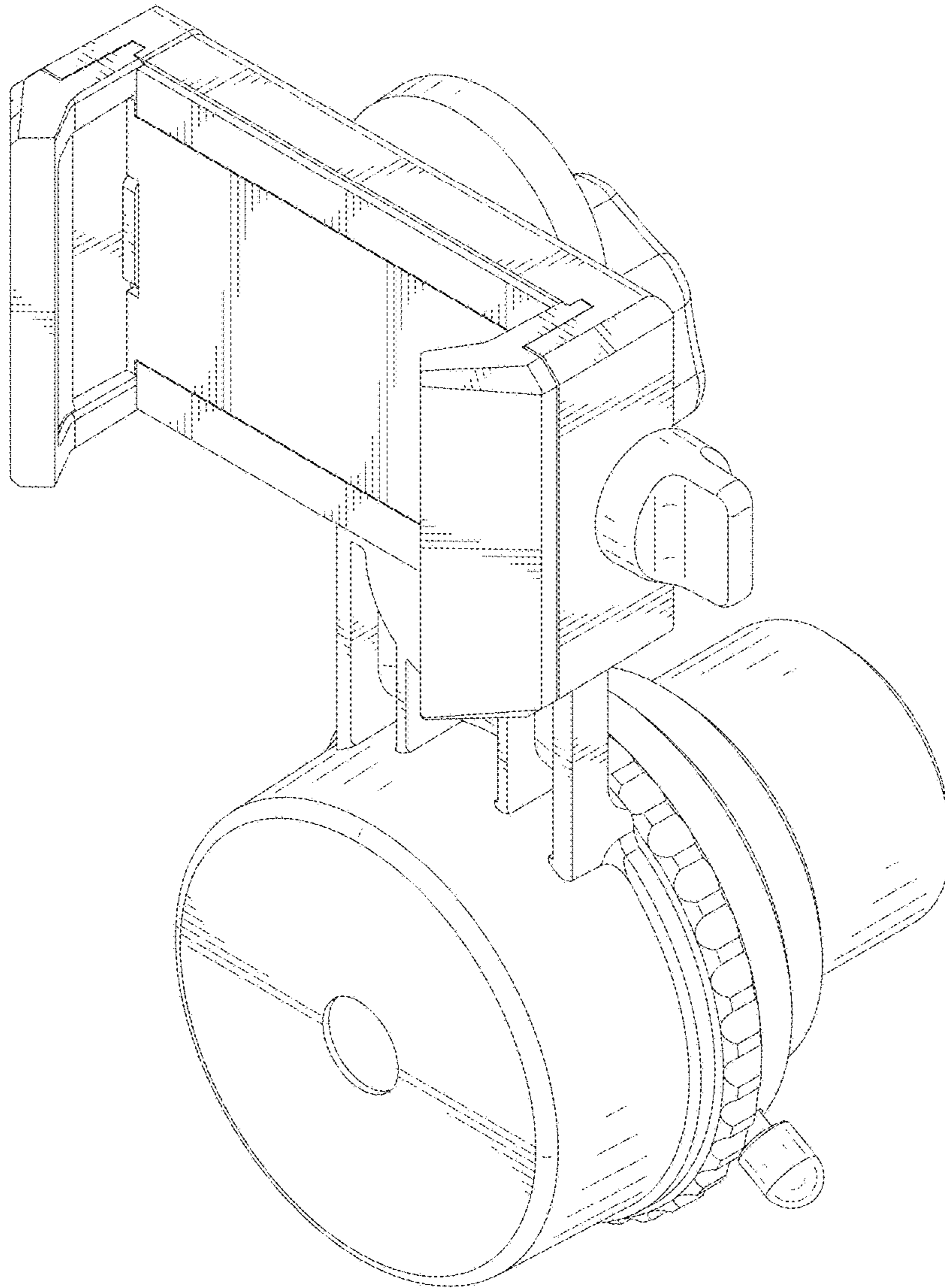


FIG.7

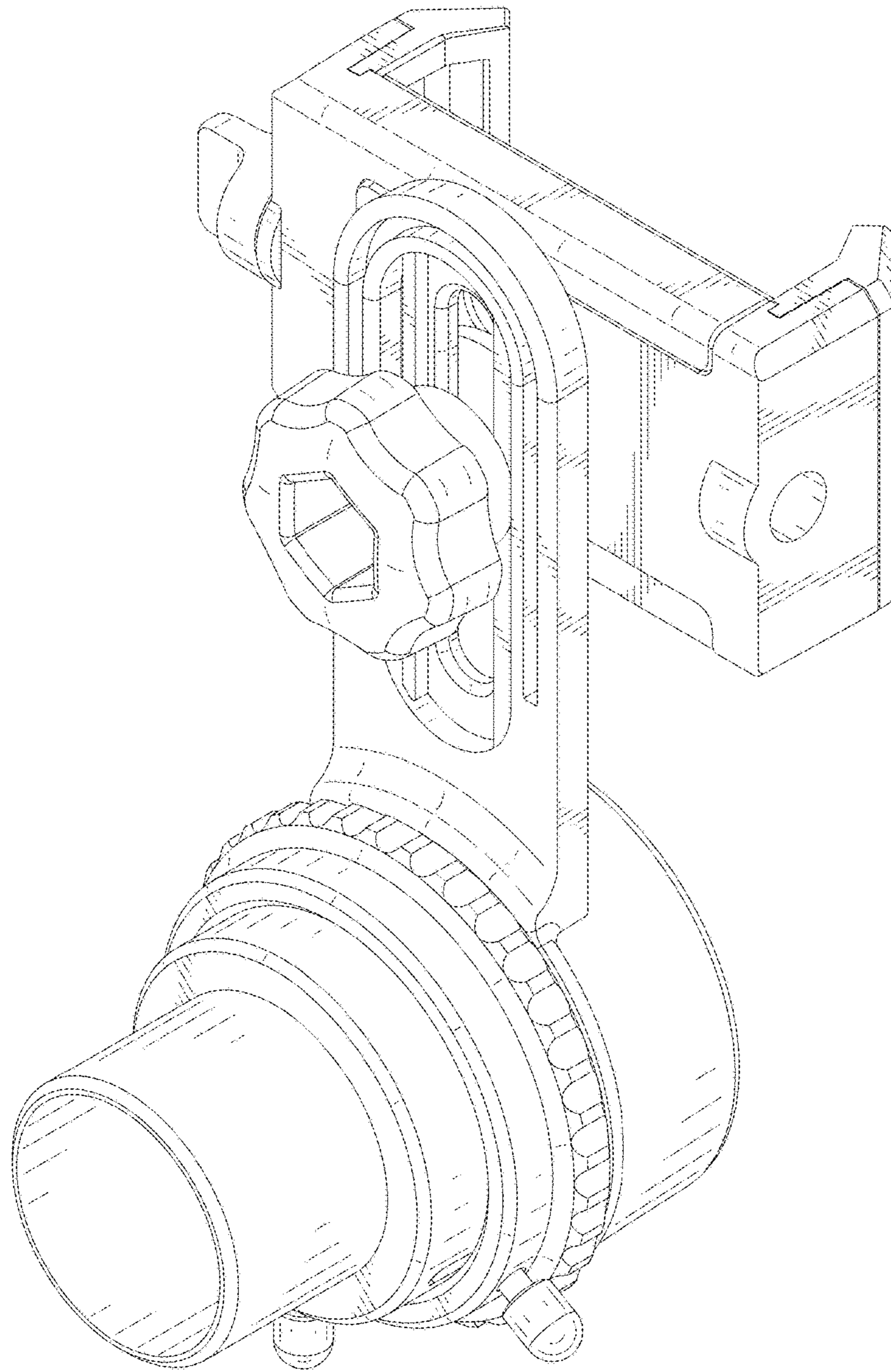


FIG.8

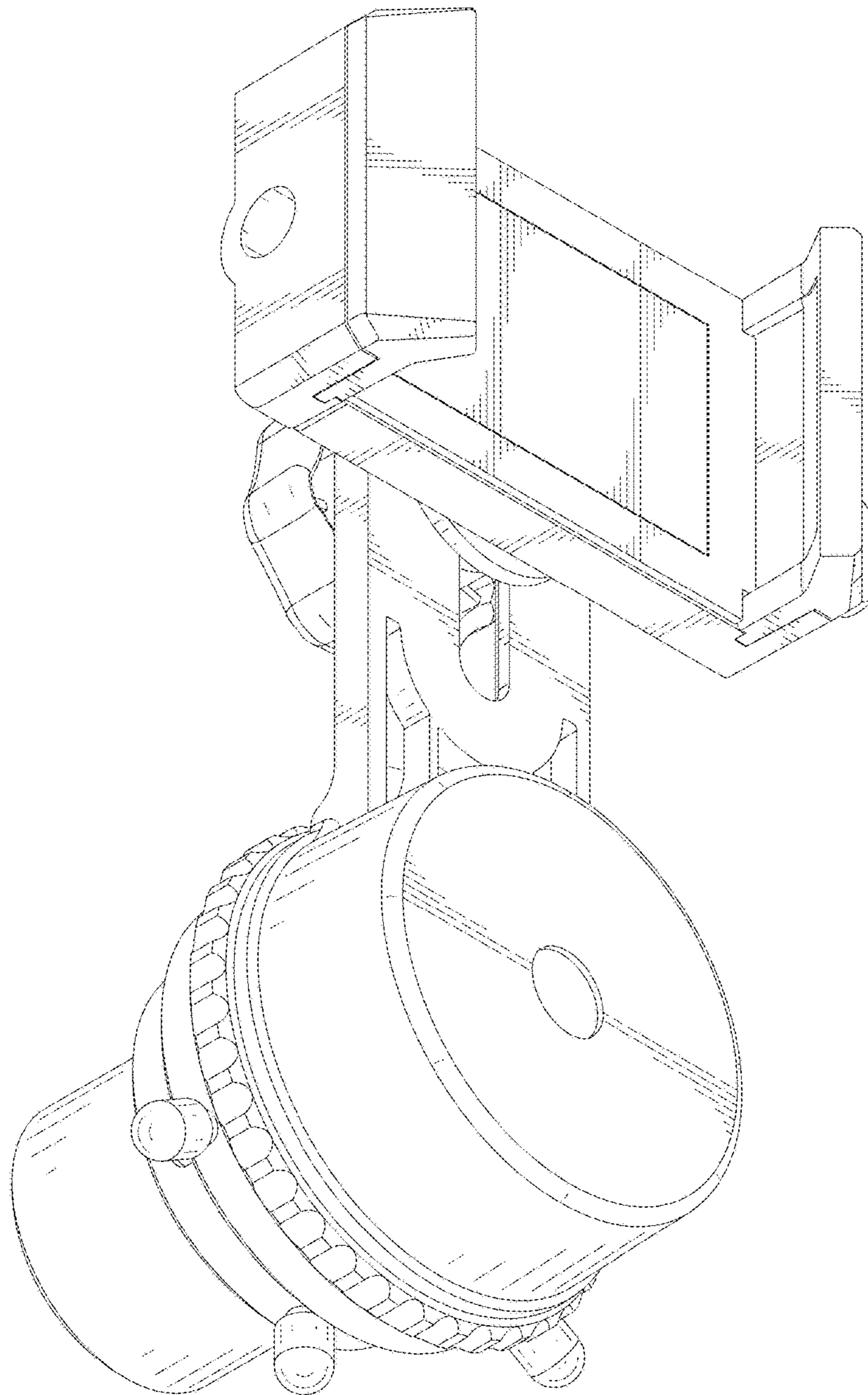


FIG.9

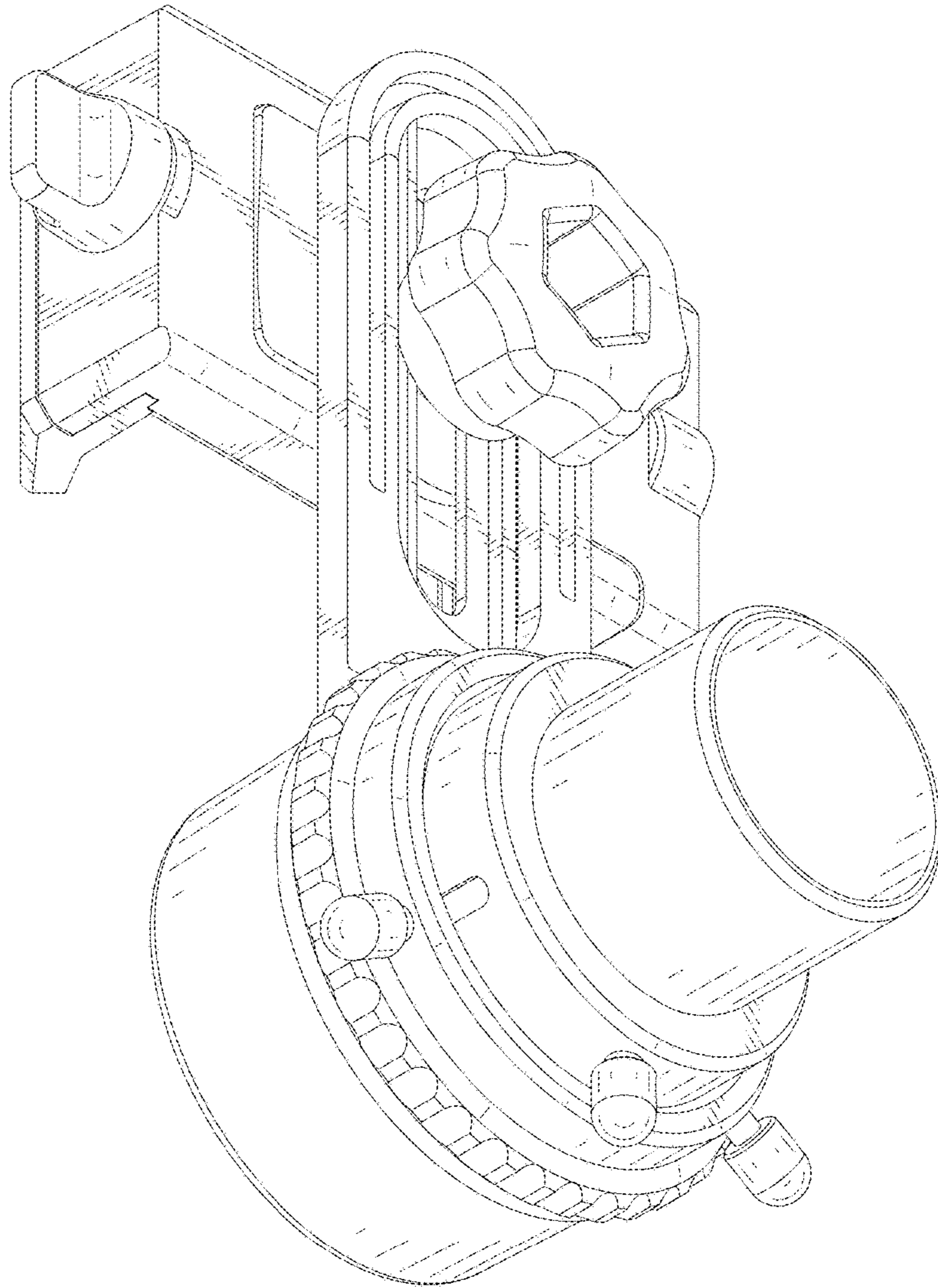


FIG.10