



US00D860181S

(12) **United States Design Patent**
Wang

(10) **Patent No.:** **US D860,181 S**

(45) **Date of Patent:** **** Sep. 17, 2019**

(54) **MOBILE DEVICE CASE**

(71) Applicant: **Steven Wang**, Windham, NH (US)

(72) Inventor: **Steven Wang**, Windham, NH (US)

(**) Term: **15 Years**

(21) Appl. No.: **29/591,588**

(22) Filed: **Jan. 20, 2017**

(51) **LOC (12) Cl.** **14-03**

(52) **U.S. Cl.**

USPC **D14/250**

(58) **Field of Classification Search**

USPC D3/201, 218, 226, 227, 247, 249, 250,
D3/269, 303; D13/103, 107, 108, 119;
D14/137, 138 R, 138 AA, 138 C, 138 G,
D14/203.3–203.7, 217, 238.1, 247, 248,
D14/250–254, 299, 440

CPC H04B 1/3888; H04M 1/0283; H04M
1/0202; A45C 1/06; A45C 2011/002;
A45C 11/00; A45F 2005/028; A45F
2200/0525

See application file for complete search history.

(56) **References Cited**

U.S. PATENT DOCUMENTS

D318,663 S * 7/1991 Frisinger D14/142
D357,664 S * 4/1995 Lupo D12/187
5,845,803 A 12/1998 Saito et al.
D453,177 S * 1/2002 Uehara D16/202
6,646,864 B2 11/2003 Richardson
6,995,976 B2 2/2006 Richardson
7,230,823 B2 6/2007 Richardson et al.
D560,216 S * 1/2008 Takamori D14/248
7,609,512 B2 10/2009 Richardson et al.
D621,393 S * 8/2010 Panahi D13/103
D623,652 S * 9/2010 Hsu D14/218
7,907,394 B2 3/2011 Richardson et al.
D644,635 S * 9/2011 Richardson D14/250
D670,278 S * 11/2012 Hamann D14/250

D683,338 S * 5/2013 Wilson D14/250
D686,604 S * 7/2013 Nuovo D14/248
D697,504 S * 1/2014 Yang D14/250
D699,947 S * 2/2014 To D14/250
D700,778 S * 3/2014 To D14/250
8,792,262 B2 7/2014 Tailliet
D710,343 S * 8/2014 Chandler, Jr. D14/250
D710,611 S * 8/2014 To D14/250
D712,390 S * 9/2014 Namminga D14/250
D714,275 S * 9/2014 Tompkin D14/250
D714,769 S * 10/2014 Rayner D14/250
D718,315 S * 11/2014 Carpenter D14/439
D722,312 S * 2/2015 Tages D14/250
D723,531 S * 3/2015 Katzke D14/250
D728,548 S * 5/2015 Keung D14/250
9,086,610 B2 7/2015 Shoemake et al.
9,114,923 B2 8/2015 Richardson et al.
9,170,690 B2 * 10/2015 Chu G03B 17/08

(Continued)

FOREIGN PATENT DOCUMENTS

GB 2505889 A 3/2014

Primary Examiner — Susan E Krakower

Assistant Examiner — L. A. Grabenstetter

(74) *Attorney, Agent, or Firm* — Lando & Anastasi, LLP

(57) **CLAIM**

The ornamental design for a mobile device case, as shown and described.

DESCRIPTION

FIG. 1 is a perspective view of the mobile device case;

FIG. 2 is a front view of the mobile device case;

FIG. 3 is a rear view of the mobile device case;

FIG. 4 is a left side view of the mobile device case;

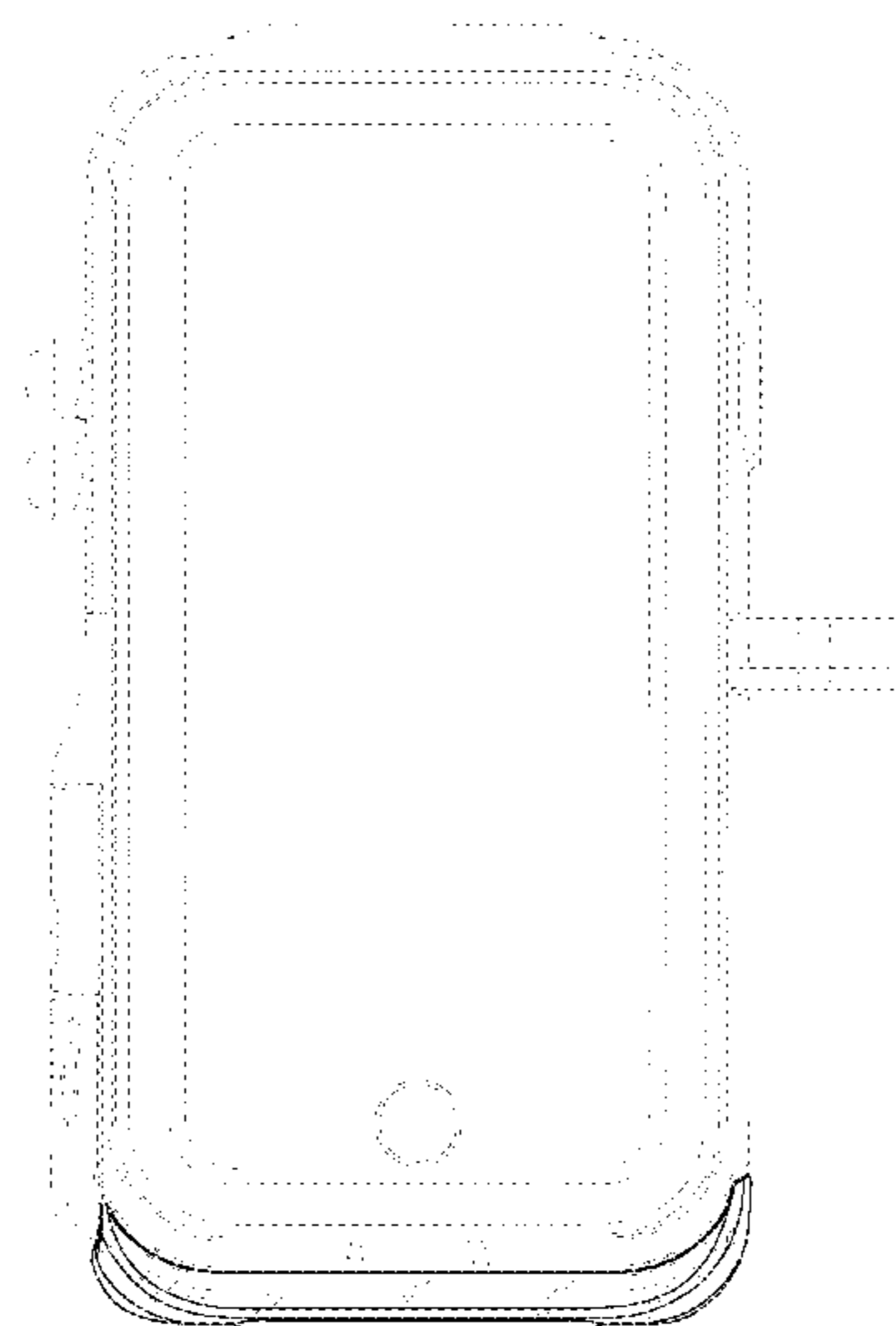
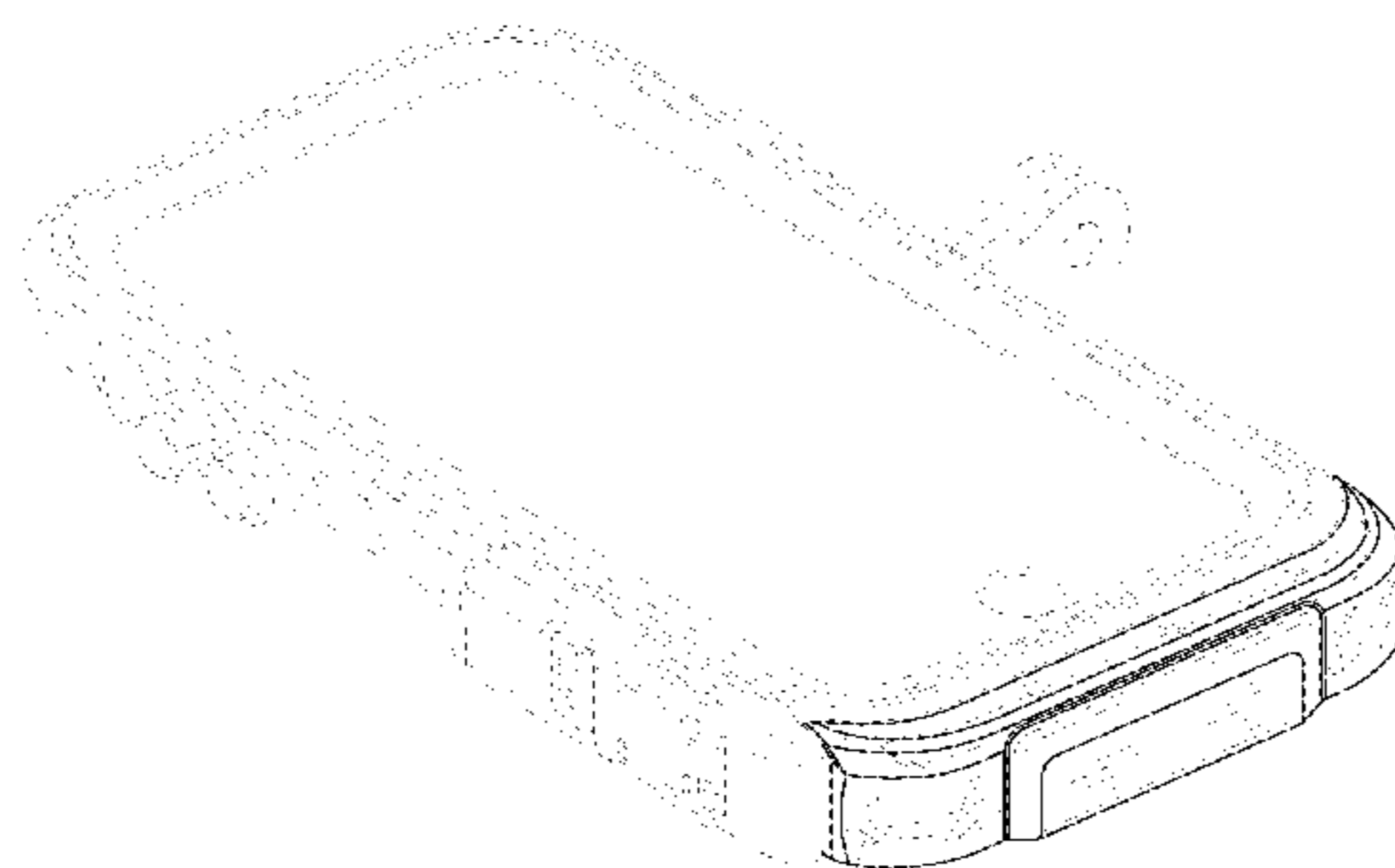
FIG. 5 is a right side view of the mobile device case;

FIG. 6 is a bottom view of the mobile device case; and,

FIG. 7 is a top view of the mobile device case.

The broken lines depict portions of the mobile device case that form no part of the claimed design.

1 Claim, 6 Drawing Sheets



(56)

References Cited

U.S. PATENT DOCUMENTS

9,172,781	B1 *	10/2015	Goldstein	H04M 1/0202
D758,358	S *	6/2016	Mao	D14/250
9,370,230	B1 *	6/2016	So	A45C 11/00
9,392,854	B2	7/2016	Fathollahi et al.	
9,462,099	B2	10/2016	Wilson et al.	
9,537,526	B2	1/2017	Wilson et al.	
9,864,257	B1	1/2018	Wroblewski et al.	
2003/0196917	A1	10/2003	Broadhead	
2006/0274493	A1	12/2006	Richardson et al.	
2009/0032420	A1	2/2009	Zenzai	
2011/0147245	A1	6/2011	Yim	
2012/0262618	A1	10/2012	Weakly	
2013/0294020	A1	11/2013	Rayner et al.	
2013/0322013	A1	12/2013	Steele	
2014/0028243	A1	1/2014	Rayner	
2014/0152890	A1	6/2014	Rayner	
2014/0226268	A1	8/2014	O'Neill et al.	
2014/0246339	A1	9/2014	Chung et al.	
2014/0262847	A1	9/2014	Yang	
2014/0268517	A1	9/2014	Moon et al.	
2014/0339104	A1	11/2014	Magness	
2014/0353178	A1	12/2014	Kim	
2014/0353179	A1	12/2014	Kim	
2014/0360892	A1	12/2014	Lin	
2015/0062787	A1	3/2015	Wilson et al.	
2015/0189963	A1	7/2015	Lai et al.	
2015/0194997	A1	7/2015	Johnson et al.	
2015/0335114	A1	11/2015	Stammbach	
2016/0021998	A1	1/2016	Fathollahi et al.	
2016/0323506	A1	11/2016	Laird et al.	
2017/0163305	A1	6/2017	Bao	
2018/0152217	A1	5/2018	Laird et al.	

* cited by examiner

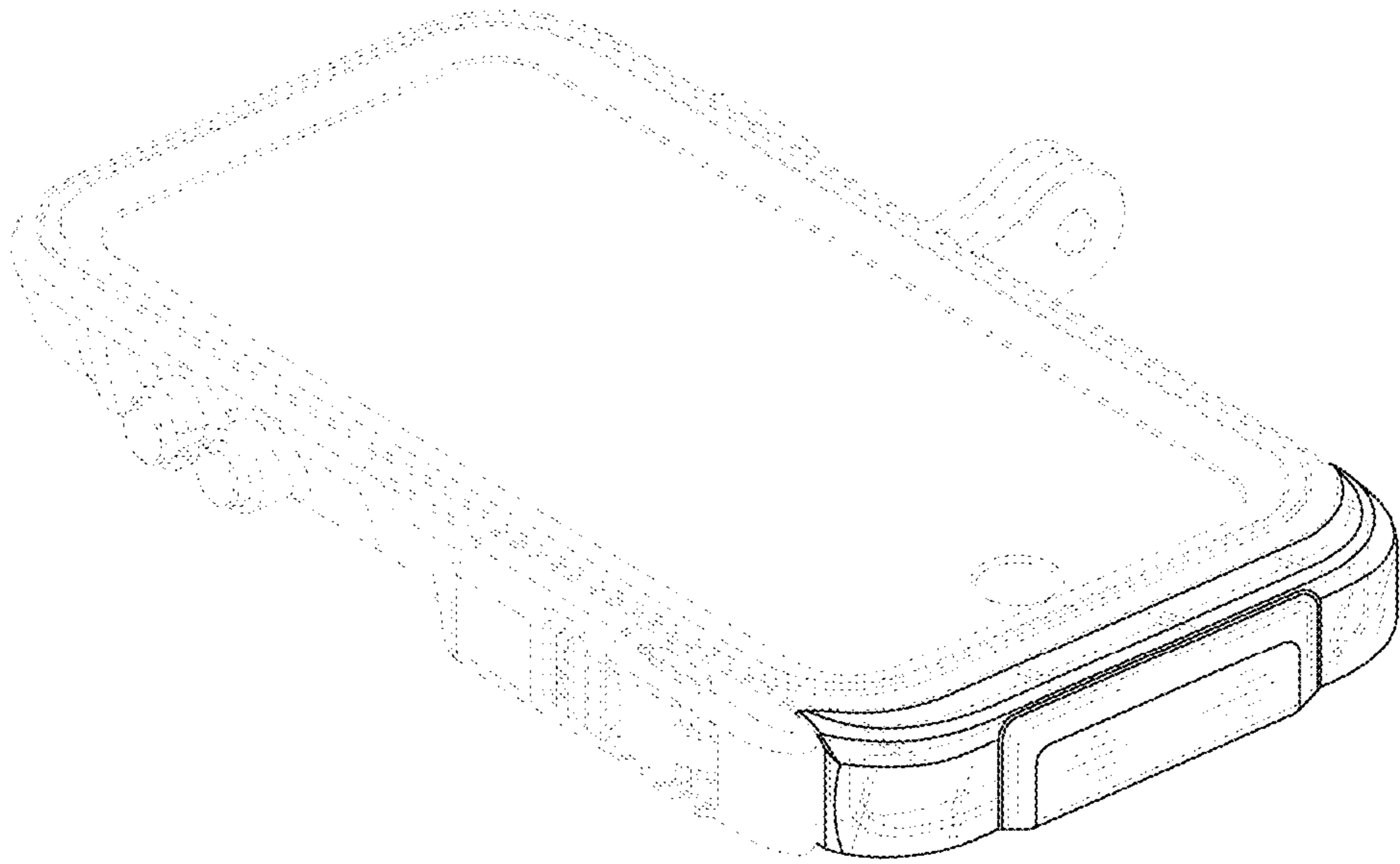


FIG. 1

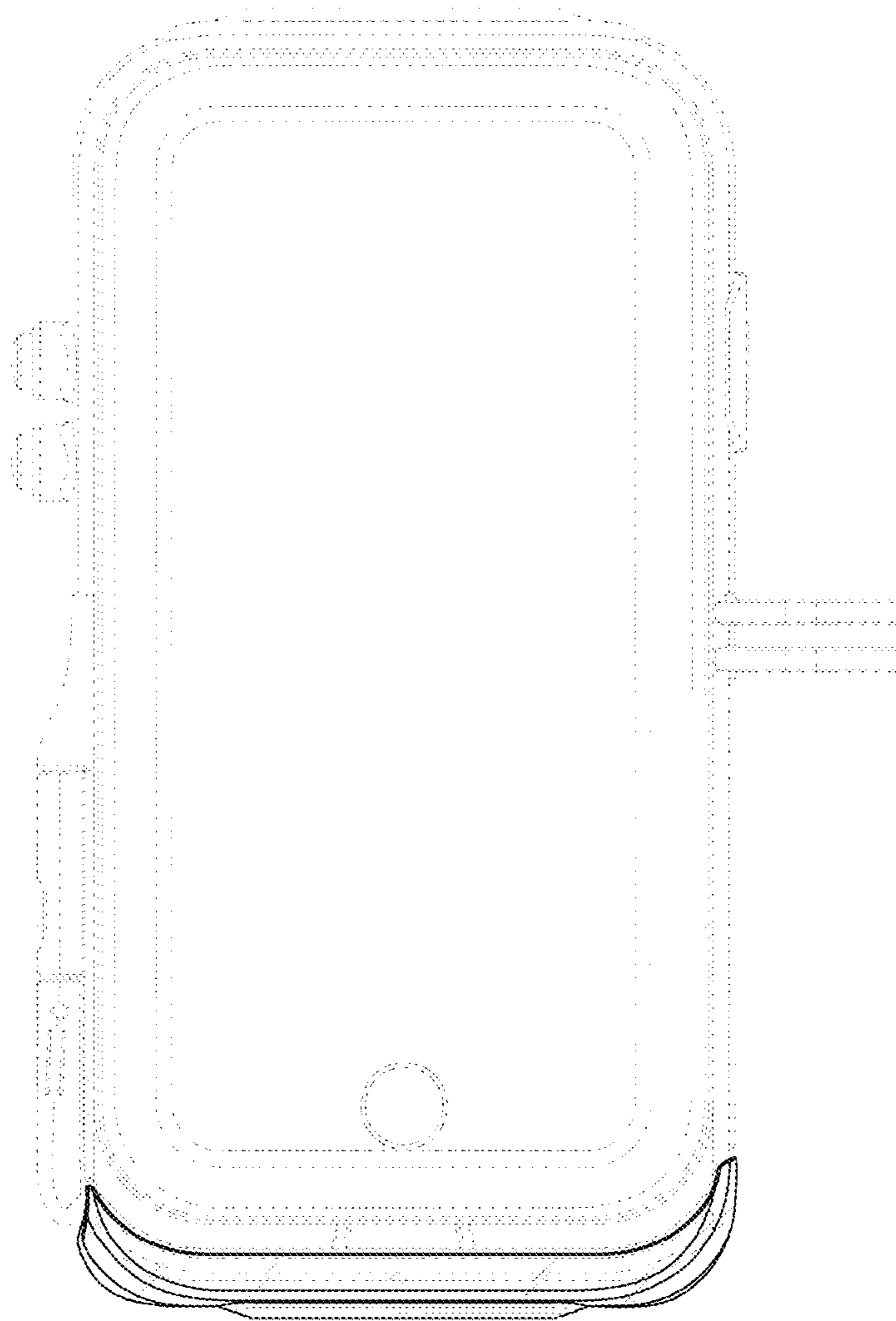


FIG. 2

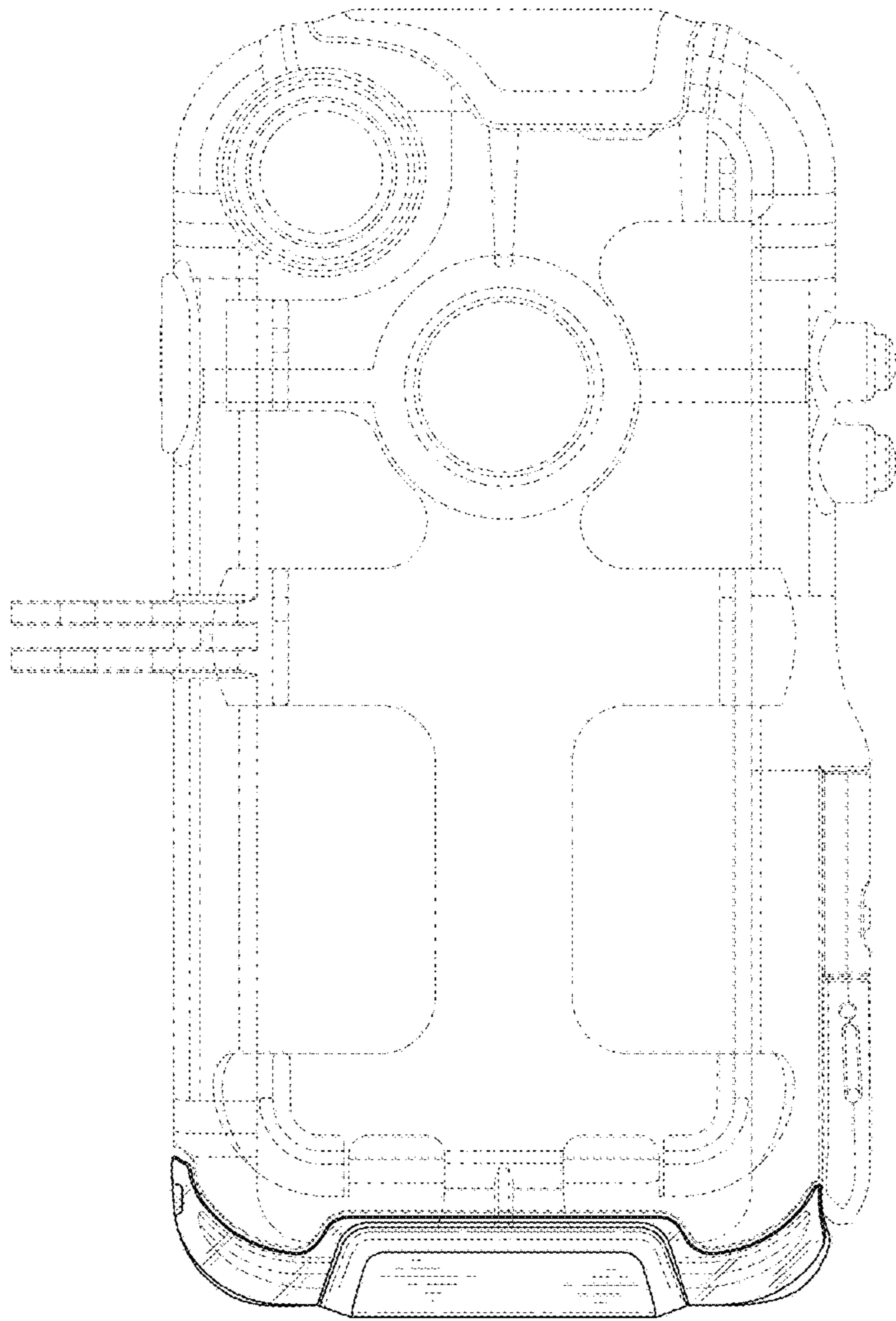


FIG. 3

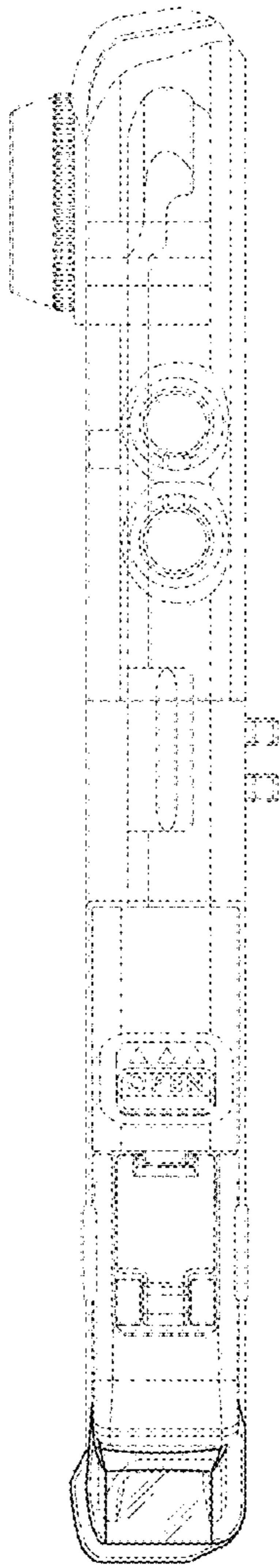


FIG. 4

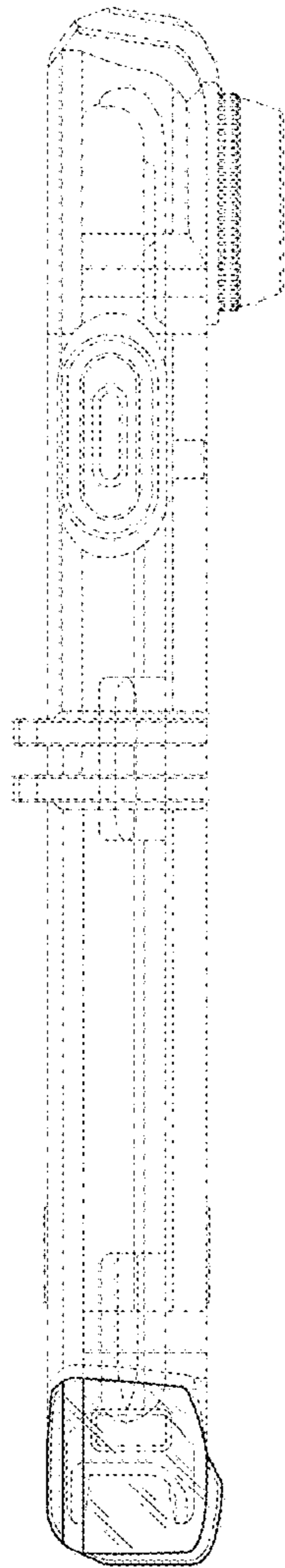


FIG. 5

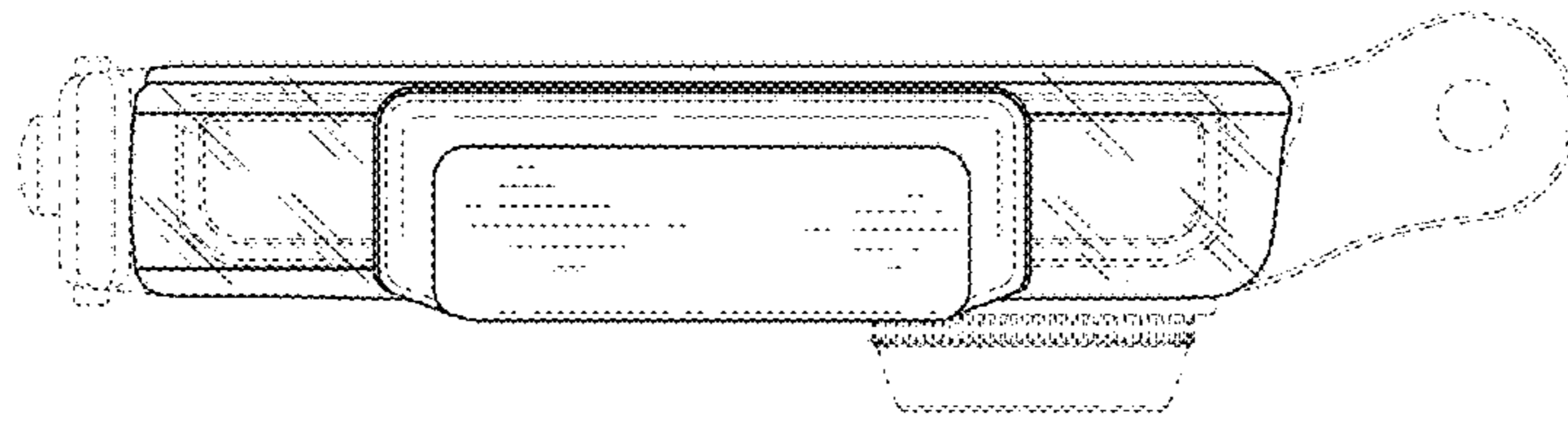


FIG. 6

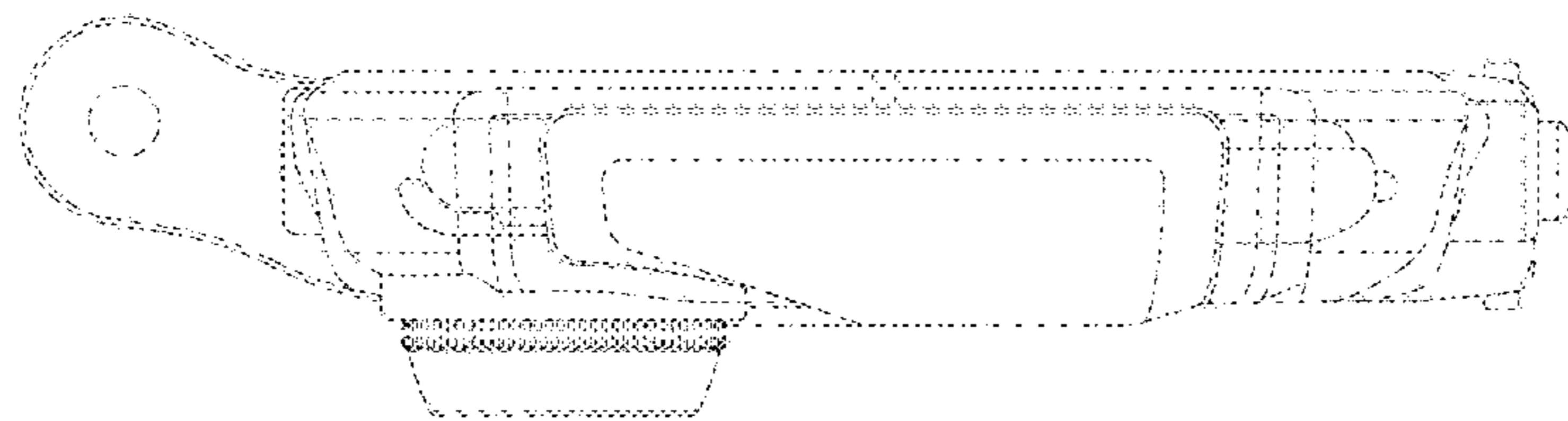


FIG. 7