

US00D860179S

(12) **United States Design Patent** (10) **Patent No.:** **US D860,179 S**
Dang et al. (45) **Date of Patent:** **** *Sep. 17, 2019**

(54) **CASE FOR A MOBILE ELECTRONIC DEVICE**

(71) Applicant: **mophie inc.**, Tustin, CA (US)

(72) Inventors: **Dat Minh Dang**, Westminster, CA (US); **Nguyen To**, Corona, CA (US); **Ming Chiao Chiang**, Walnut, CA (US); **Jian Shen**, Shenzhen (CN); **Hongguo Zhou**, Shenzhen (CN)

(73) Assignee: **mophie inc.**, Irvine, CA (US)

(*) Notice: This patent is subject to a terminal disclaimer.

(**) Term: **15 Years**

(21) Appl. No.: **29/556,807**

(22) Filed: **Mar. 3, 2016**

(51) **LOC (12) Cl.** **14-03**

(52) **U.S. Cl.**
USPC **D14/250**

(58) **Field of Classification Search**
USPC D3/218, 232, 233, 239, 242, 245-251, D3/269, 273, 301, 303; D13/103, 107, D13/108, 119; D14/137, 138 R, 138 AA, D14/138 C, 138 G, 203.3-203.7, 217, D14/238.1, 247, 248, 250, 251-253, 440
CPC H04B 1/3888; H04M 1/0283; H04M 1/0202; A45C 1/06; A45C 2011/002; A45C 11/00; A45F 2005/028; A45F 2200/0525

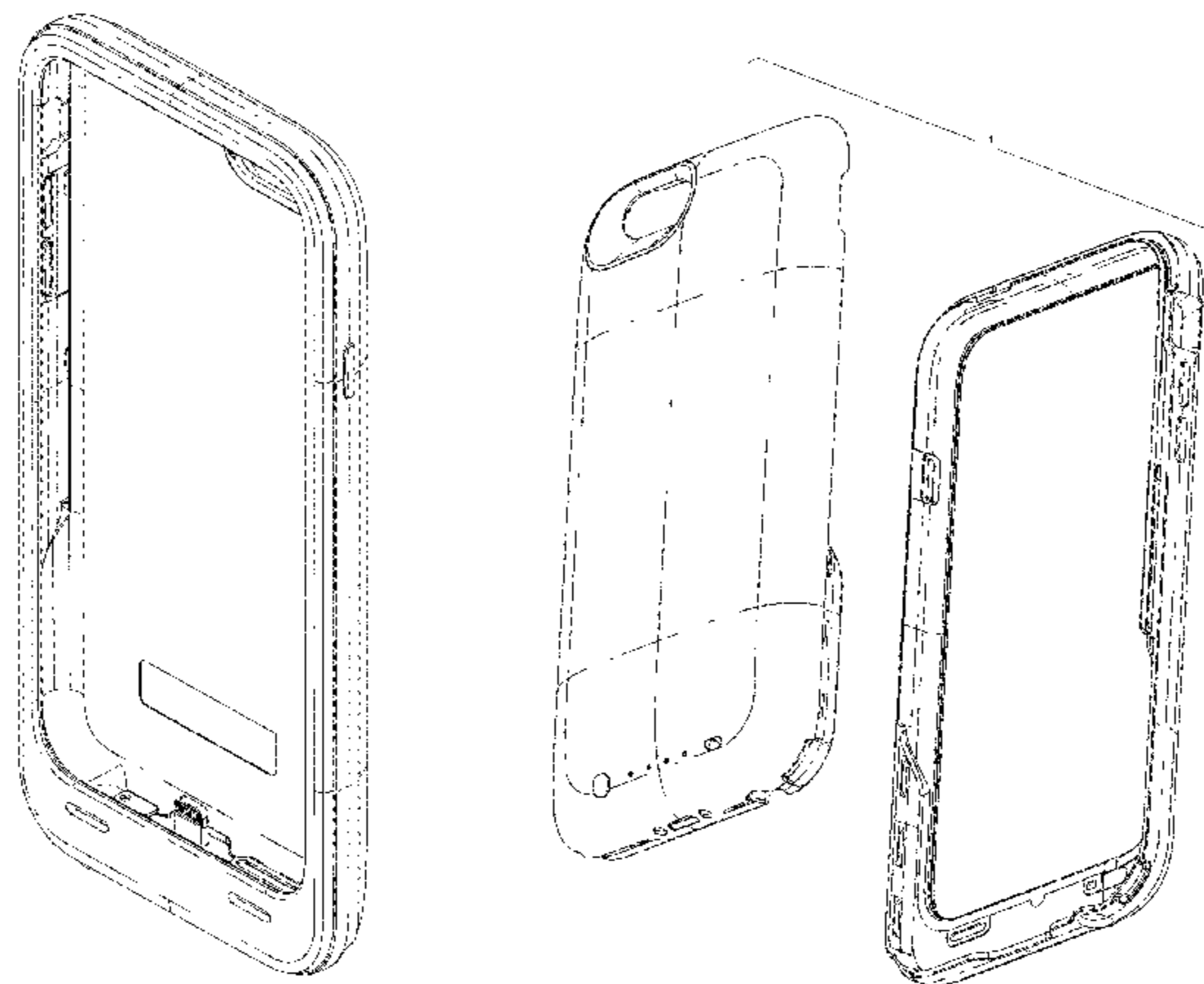
See application file for complete search history.

(56) **References Cited**

U.S. PATENT DOCUMENTS

6,471,056 B1 10/2002 Tzeng
6,646,864 B2 11/2003 Richardson
7,158,376 B2 1/2007 Richardson et al.
7,180,735 B2 2/2007 Thomas et al.
7,230,823 B2 6/2007 Richardson et al.
D556,681 S 12/2007 Kim
7,312,984 B2 12/2007 Richardson et al.

D561,092 S 2/2008 Kim
D565,291 S 4/2008 Brandenburg et al.
D574,819 S 8/2008 Andre et al.
D575,056 S 8/2008 Tan
D581,151 S 11/2008 Aipa
D582,149 S 12/2008 Tan
7,479,759 B2 1/2009 Vilanov et al.
D587,896 S 3/2009 Aipa
D597,089 S 7/2009 Khan et al.
D600,908 S 9/2009 Richardson et al.
7,609,512 B2 10/2009 Richardson et al.
D603,603 S 11/2009 Laine et al.
7,612,997 B1 11/2009 Diebel et al.
D605,850 S 12/2009 Richardson et al.
D606,528 S 12/2009 Khan et al.
D606,529 S 12/2009 Ferrari et al.
7,638,969 B2 12/2009 Woud
D609,228 S 2/2010 Ferrari et al.
D609,463 S 2/2010 Bullen
7,656,120 B2 2/2010 Neu et al.
D610,807 S 3/2010 Bau
D611,042 S 3/2010 Ferrari et al.
D613,282 S 4/2010 Richardson et al.
D615,077 S 5/2010 Richardson et al.
D615,535 S 5/2010 Richardson et al.
D615,536 S 5/2010 Richardson et al.
D615,967 S 5/2010 Richardson et al.
D616,360 S 5/2010 Huang
D616,361 S * 5/2010 Huang D13/103
D617,784 S 6/2010 Richardson et al.
D617,785 S 6/2010 Richardson et al.
D617,786 S 6/2010 Richardson et al.
D617,787 S 6/2010 Richardson et al.
D618,231 S 6/2010 Fahrendorff et al.
D619,573 S 7/2010 Khan et al.
D619,574 S 7/2010 Richardson et al.
D620,000 S 7/2010 Bau
D620,487 S 7/2010 Richardson et al.
D621,394 S 8/2010 Richardson et al.
D621,395 S 8/2010 Richardson et al.
D621,821 S 8/2010 Richardson et al.
D621,822 S 8/2010 Richardson et al.
7,782,610 B2 8/2010 Diebel et al.
D623,180 S 9/2010 Diebel
D623,638 S 9/2010 Richardson et al.
D623,639 S 9/2010 Richardson et al.
D623,640 S * 9/2010 Freeman D14/250
D624,533 S 9/2010 Richardson et al.
D624,908 S 10/2010 Huskinson
D624,909 S 10/2010 Huskinson
D624,910 S 10/2010 Richardson et al.
D626,120 S 10/2010 Richardson et al.
D626,121 S 10/2010 Richardson et al.



US D860,179 S

D626,538 S	11/2010	Brown et al.	D676,432 S	2/2013	Hasbrook et al.
D626,539 S	11/2010	Brown et al.	8,367,235 B2	2/2013	Huang et al.
D626,540 S	11/2010	Brown et al.	D677,249 S *	3/2013	Li D14/250
D628,568 S	12/2010	Richardson et al.	D677,251 S	3/2013	Melanson et al.
D628,994 S	12/2010	Griffin, Jr. et al.	D678,869 S	3/2013	Diebel
7,859,222 B2	12/2010	Woud	8,390,255 B1	3/2013	Fathollahi
D631,877 S	2/2011	Rak et al.	8,393,466 B2	3/2013	Rayner
D632,683 S	2/2011	Richardson et al.	D679,271 S	4/2013	Liu
D632,684 S	2/2011	Richardson et al.	D679,684 S	4/2013	Baker et al.
D632,685 S	2/2011	Richardson et al.	D679,699 S	4/2013	Piedra et al.
D632,686 S	2/2011	Magness et al.	D681,020 S	4/2013	Magness et al.
7,889,498 B2	2/2011	Diebel et al.	D682,815 S	5/2013	Chang
D634,741 S	3/2011	Richardson et al.	D683,338 S	5/2013	Wilson et al.
7,907,394 B2	3/2011	Richardson et al.	8,439,191 B1	5/2013	Lu
D636,386 S	4/2011	Richardson et al.	8,457,701 B2	6/2013	Diebel
D636,387 S	4/2011	Willes et al.	D685,356 S	7/2013	Diebel
7,933,122 B2	4/2011	Richardson et al.	D685,737 S *	7/2013	de Jong D13/119
D637,588 S	5/2011	Richardson et al.	8,483,758 B2	7/2013	Huang
D637,589 S	5/2011	Willes et al.	D687,426 S	8/2013	Requa
D637,590 S	5/2011	Michie et al.	D688,233 S	8/2013	Dong
D637,591 S	5/2011	Willes et al.	8,509,864 B1	8/2013	Diebel
D637,592 S	5/2011	Magness et al.	8,509,865 B1	8/2013	LaColla et al.
D638,005 S	5/2011	Richardson et al.	8,531,833 B2	9/2013	Diebel et al.
D638,411 S	5/2011	Willes et al.	D691,990 S	10/2013	Rayner
D638,413 S	5/2011	Magness et al.	8,560,014 B1	10/2013	Hu et al.
D638,414 S	5/2011	Magness et al.	D693,801 S	11/2013	Rayner
D638,828 S	5/2011	Melanson et al.	D696,234 S	12/2013	Wright
D638,829 S	5/2011	Melanson et al.	D697,502 S	1/2014	Chu et al.
D638,830 S	5/2011	Magness et al.	D697,504 S	1/2014	Yang
D640,680 S	6/2011	Magness et al.	D698,774 S	2/2014	Wardy
D641,013 S	7/2011	Richardson et al.	D703,652 S	4/2014	Melanson et al.
D641,014 S	7/2011	Smith et al.	D704,182 S	5/2014	Smith
D642,169 S	7/2011	Andre et al.	D704,688 S	5/2014	Reivo et al.
D642,170 S	7/2011	Johnson et al.	D705,768 S	5/2014	Melanson et al.
D642,171 S	7/2011	Melanson et al.	D706,253 S	6/2014	Simmer
D642,558 S	8/2011	Magness	D706,255 S	6/2014	Akana et al.
D643,029 S	8/2011	Feng	D706,256 S	6/2014	Ward et al.
D643,424 S	8/2011	Richardson et al.	D706,272 S	6/2014	Poon
D644,215 S	8/2011	Dong	D709,058 S	7/2014	Hemesath et al.
D644,216 S	8/2011	Richardson et al.	D709,439 S *	7/2014	Ferber D13/103
D644,635 S	9/2011	Richardson et al.	D709,485 S	7/2014	Bishop
D644,639 S	9/2011	Weller et al.	D710,344 S	8/2014	Smith et al.
D647,084 S	10/2011	Fathollahi	D710,347 S	8/2014	Esses
D647,108 S	10/2011	Lee	D710,795 S *	8/2014	Gupta D13/103
8,028,794 B1	10/2011	Freeman	D710,839 S	8/2014	Chang
D648,714 S	11/2011	Jones, III et al.	D711,312 S	8/2014	Tien
D648,715 S	11/2011	Jones, III et al.	D711,362 S	8/2014	Poon
D648,716 S	11/2011	Jones, III et al.	D711,863 S *	8/2014	Wen D14/250
D648,717 S	11/2011	Fahrendorff et al.	D714,274 S	9/2014	Jung
D649,143 S	11/2011	Jones, III et al.	D714,278 S	9/2014	Case et al.
D650,810 S	12/2011	Lemelman et al.	8,837,156 B2	9/2014	Sun et al.
D652,827 S	1/2012	Fahrendorff et al.	D716,784 S	11/2014	Wen
D652,828 S	1/2012	Fahrendorff et al.	D716,785 S	11/2014	White
D653,202 S	1/2012	Hasbrook et al.	D717,781 S	11/2014	Kim
D653,659 S	2/2012	Fahrendorff et al.	D718,230 S *	11/2014	To D13/103
D654,069 S	2/2012	Kwon	D718,289 S	11/2014	Brand
D654,483 S	2/2012	Richardson et al.	D718,291 S	11/2014	Hong
D654,931 S	2/2012	Lemelman et al.	D718,293 S *	11/2014	Namminga D14/250
D655,281 S	3/2012	Turocy	D718,754 S *	12/2014	To D14/250
D656,495 S	3/2012	Andre et al.	D718,755 S *	12/2014	To D14/250
D658,165 S *	4/2012	Freeman D14/250	8,917,506 B2	12/2014	Diebel et al.
D658,643 S	5/2012	Fahrendorff et al.	D720,740 S	1/2015	Wicks et al.
D662,923 S	7/2012	Piedra et al.	D721,356 S	1/2015	Hasbrook et al.
D662,924 S	7/2012	Melanson et al.	D721,685 S	1/2015	Hasbrook et al.
D663,263 S *	7/2012	Gupta D13/103	D721,687 S *	1/2015	To D14/250
D663,319 S	7/2012	Chen et al.	D722,043 S *	2/2015	Requa D13/108
D664,091 S	7/2012	Pliner et al.	D722,312 S	2/2015	Tages et al.
D665,735 S	8/2012	Kang et al.	D723,018 S *	2/2015	White D14/250
8,245,842 B2	8/2012	Bau	8,954,117 B2	2/2015	Huang
D667,783 S	9/2012	Zhang et al.	8,955,678 B2	2/2015	Murphy et al.
D670,281 S	11/2012	Corpuz et al.	D723,530 S *	3/2015	Namminga D14/250
D670,689 S	11/2012	Wang	D724,065 S	3/2015	Fathollahi
D671,105 S	11/2012	Rothbaum et al.	D724,574 S	3/2015	Williams
D671,106 S	11/2012	Rothbaum et al.	D725,091 S	3/2015	Wen
D671,493 S *	11/2012	Hasbrook D13/108	8,971,039 B2	3/2015	Huang et al.
D674,394 S	1/2013	Kajimoto	D727,883 S *	4/2015	Brand D14/250
8,342,325 B2	1/2013	Rayner	D728,468 S *	5/2015	Ferber D13/103
D675,603 S	2/2013	Melanson et al.	9,026,187 B2	5/2015	Huang
D676,032 S	2/2013	Stump et al.	D732,012 S *	6/2015	Tsai D14/250

9,077,013 B2 7/2015 Huang et al.
 9,088,028 B2 7/2015 Huang et al.
 9,088,029 B2 7/2015 Huang et al.
 D738,365 S 9/2015 Melanson et al.
 D739,394 S 9/2015 Rayner et al.
 9,123,935 B2 9/2015 Huang
 D740,797 S 10/2015 Daniel
 D741,844 S 10/2015 Rayner et al.
 9,172,070 B2 10/2015 Huang et al.
 D744,472 S 12/2015 Lerenthal
 D744,993 S 12/2015 Diebel
 D744,995 S 12/2015 Lerenthal
 D746,273 S 12/2015 Herbst
 D746,275 S 12/2015 Mohammad
 D746,801 S 1/2016 Pan
 D748,612 S 2/2016 Chan et al.
 D749,557 S 2/2016 Feng
 D751,058 S 3/2016 Cocchia et al.
 D751,059 S 3/2016 Cocchia et al.
 D751,542 S 3/2016 Daniel
 9,313,305 B1 4/2016 Diebel
 9,319,501 B2 4/2016 Huang
 D756,909 S * 5/2016 Gupta D13/103
 D756,910 S 5/2016 Gupta et al.
 9,356,267 B1 5/2016 To et al.
 D759,641 S 6/2016 Lai et al.
 9,402,452 B2 8/2016 Diebel et al.
 9,406,913 B2 8/2016 Huang et al.
 D765,628 S 9/2016 Watt et al.
 D765,636 S 9/2016 Kanazawa
 D766,819 S 9/2016 Gjøvik et al.
 D767,485 S 9/2016 To et al.
 D768,612 S 10/2016 Wright et al.
 D772,855 S 11/2016 Ju
 9,495,375 B2 11/2016 Huang et al.
 9,577,695 B2 2/2017 Huang
 D781,839 S 3/2017 Kim et al.
 9,748,535 B2 8/2017 Huang et al.
 D797,091 S 9/2017 To et al.
 D797,092 S 9/2017 To et al.
 D797,093 S 9/2017 To et al.
 9,755,444 B2 9/2017 To et al.
 9,876,522 B2 1/2018 Huang et al.
 9,997,933 B2 6/2018 Huang et al.
 10,033,204 B2 7/2018 Huang et al.
 2009/0108800 A1 4/2009 Woud
 2009/0160399 A1 6/2009 Woud
 2009/0160400 A1 6/2009 Woud
 2010/0096284 A1 4/2010 Bau
 2010/0113106 A1 5/2010 Supran
 2010/0124040 A1 * 5/2010 Diebel G06F 1/1628
 361/816
 2010/0200456 A1 8/2010 Parkinson
 2010/0203931 A1 8/2010 Hyneczek et al.
 2010/0224519 A1 9/2010 Kao
 2011/0049005 A1 3/2011 Wilson et al.
 2011/0084081 A1 4/2011 Chung et al.
 2011/0136555 A1 6/2011 Ramies et al.
 2011/0199041 A1 8/2011 Yang
 2011/0253569 A1 10/2011 Lord
 2011/0259664 A1 10/2011 Freeman
 2011/0297578 A1 12/2011 Stiehl et al.
 2011/0309728 A1 12/2011 Diebel
 2012/0088555 A1 4/2012 Hu
 2012/0088558 A1 * 4/2012 Song H04M 1/18
 455/575.1
 2012/0106037 A1 5/2012 Diebel et al.
 2012/0122520 A1 5/2012 Phillips
 2012/0177967 A1 7/2012 Wang
 2012/0282977 A1 11/2012 Haleluk
 2012/0302294 A1 11/2012 Hammond et al.
 2012/0305422 A1 12/2012 Vandiver
 2012/0320501 A1 12/2012 Ackloo
 2013/0045775 A1 2/2013 Heywood
 2013/0052871 A1 2/2013 Eklind
 2013/0088815 A1 4/2013 Hu et al.
 2013/0098790 A1 4/2013 Hong
 2013/0146491 A1 6/2013 Ghali et al.
 2013/0273983 A1 10/2013 Hsu

2013/0314030 A1 11/2013 Fathollahi
 2014/0035511 A1 2/2014 Ferber et al.
 2014/0069825 A1 3/2014 Macrina et al.
 2014/0141838 A1 5/2014 Cai et al.
 2014/0165379 A1 6/2014 Diebel et al.
 2014/0268518 A1 9/2014 Huang et al.
 2014/0375182 A1 12/2014 Li et al.
 2015/0141090 A1 5/2015 Hwan et al.
 2015/0189053 A1 7/2015 LaHam
 2015/0194648 A1 7/2015 Fathollahi et al.
 2015/0194833 A1 7/2015 Fathollahi et al.
 2015/0214993 A1 7/2015 Huang
 2015/0215439 A1 7/2015 Stanimirovic et al.
 2015/0281410 A1 10/2015 Takahashi
 2015/0364875 A1 12/2015 Ginsberg
 2015/0381226 A1 12/2015 Mogol
 2016/0064979 A1 3/2016 Huang et al.
 2016/0112085 A1 4/2016 Johnson
 2016/0181580 A1 6/2016 To et al.
 2018/0076428 A1 3/2018 Huang et al.

FOREIGN PATENT DOCUMENTS

CN	201252577	Y	6/2009
CN	202364273	U	8/2012
CN	302510329	S	7/2013
CN	302573150	S	9/2013
KR	30-0650361		7/2012
TW	D150044		11/2012
TW	D156538		10/2013

OTHER PUBLICATIONS

The best iPhone 6 and iPhone 6 Plus battery Cases, posting date Jun. 12, 2015, [online][site visited May 29, 2018] <URL: <https://www.engadget.com/2015/06/12/the-best-iphone-6-and-iphone-6-plus-battery-case/>> (Year: 2015).*

The 10 best iPhone 6 extended battery cases to keep the power flowing, posting date Jul. 23, 2015, [online][site visited May 29, 2018]<URL:<https://www.digitaltrends.com/mobile/best-iphone-6-battery-cases/>> (Year: 2015).*

U.S. Appl. No. 90/013,319, filed Sep. 18, 2014, Huang et al.
 U.S. Appl. No. 15/130,196, filed Apr. 15, 2016, Huang.
 U.S. Appl. No. 29/382,515, filed Jan. 4, 2011, Gallouzi et al.
 U.S. Appl. No. 29/464,620, filed Aug. 19, 2013, Tsai.
 U.S. Appl. No. 29/478,391, filed Jan. 3, 2014, Namminga et al.
 U.S. Appl. No. 29/478,390, filed Jan. 3, 2014, Dang et al.
 U.S. Appl. No. 29/478,383, filed Jan. 3, 2014, Dang et al.
 U.S. Appl. No. 29/478,388, filed Jan. 3, 2014, Kim et al.
 U.S. Appl. No. 29/499,868, filed Aug. 19, 2014, Mophie, Inc.
 U.S. Appl. No. 29/539,419, filed Sep. 14, 2015, Dang et al.
 U.S. Appl. No. 29/523,209, filed Apr. 7, 2015, Mophie, Inc.
 U.S. Appl. No. 29/528,266, filed May 27, 2015, Gjøvik et al.
 U.S. Appl. No. 29/534,901, filed Jul. 31, 2015, Dang et al.
 U.S. Appl. No. 15/223,683, filed Jul. 29, 2016, Huang et al.
 U.S. Appl. No. 15/223,735, filed Jul. 29, 2016, Diebel et al.
 U.S. Appl. No. 29/556,805, filed Mar. 3, 2016, Dang et al.
 U.S. Appl. No. 29/556,809, filed Mar. 3, 2016, Dang et al.
 U.S. Appl. No. 29/626,999, filed Nov. 21, 2017, DiLella.
 U.S. Appl. No. 15/820,197, filed Nov. 21, 2017, DiLella.
 “Sandberg BatteryCase for iPhone 4/4S delivers more band for your buck,” dated Mar. 15, 2012, <http://www.gizmag.com/sanberg-battery-case-iphone/21839>.
 Shawn Brown, “Incuse Power Slider battery doubles as a case,” dated Nov. 19, 2008, <http://www.iphonebuzz.com/incuse-power-slider-battery-doubles-as-a-case-195224.php>.
 Nick Guy, “Incipio offGRID Battery Case for iPhone 5/5s,” dated Oct. 9, 2013, <http://www.ilounge.com/index.php/reviews/entry/incipio-offgrid-battery-case-for-iphone-5-5s/>.
 Jeremy Horwitz, “Mophie Juice Pack Plus for iPhone 5,” dated May 21, 2013, <http://www.ilounge.com/index.php/reviews/entry/mophie-juice-pack-plus-for-iphone-5/>.

Devin Coldewey, “Combination iPhone battery pack and flash from FastMac,” dated Nov. 4, 2008, <http://crunchgear.com/2008/11/04/combination-iphone-battery-pack-and-flash-from-fastmac/>.

Brian Nyhuis, “Mophie Juice Pack Battery Case for Samsung Galaxy S III Review,” dated Nov. 28, 2012, http://www.legitreviews.com/mophie-juice-pack-battery-case-for-samsung-galaxy-s-iii-review_2084.

“PowerSkin Samsung Galaxy S3 Case with Backup Battery,” dated Aug. 19, 2012, <http://gadgets.in.com/powerskin-samsung-galaxy-s3-case-with-backup-battery.htm>.

“iPhone 4 Case with Battery Pack,” dated Sep. 28, 2010, <http://gadgets.in.com/iphone-4-case-with-battery-pack.htm>.

Jonathan Pena, “iPhone 5 Cases, Round 3,” dated Sep. 16, 2012, <http://www.technologytell.com/apple/103833/iphone-5-cases-round-3/>.

Jeremy Horwitz, “Mophie Juice Pack for iPhone,” dated Dec. 7, 2007, <http://www.ilounge.com/index.php/reviews/entry/mophie-juice-pack-for-iphone/>.

Dr. Macenstein, “Review: Mophie Juice Pack for iPhone,” dated Apr. 27, 2008, <http://macenstein.com/default/2008/04/review-mophie-juice-pack-for-iphone/>.

Wayne Schulz, “iPhone Extended Battery Review—Mophie Juice Pack,” dated Jun. 17, 2008, <http://www.geardiary.com/2008/06/17/iphone-extended-battery-review-mophie-juice-pack/>.

Mophie Juice Pack iPhone 1G Product—Figures 1-7—Retrieved from <http://www.mophie.com/products/juice-pack> on Apr. 10, 2009. Mophie Juice Pack iPhone 1G Product—Figures 15-16—Retrieved from http://mophie.com/blogs/Juice_Pack_FAQ on Apr. 20, 2009. Figure 16 is dated May 1, 2008.

Tomas Ratas, “Mophie Juice Pack—iPhone 3G,” dated Dec. 9, 2008, <http://www.testfreaks.com/blog/review/mophie-juice-pack-iphone-3g/>.

Dr. Macenstein, “Review: Mophie Juice Pack 3G for iPhone,” dated Nov. 27, 2008, <http://macenstein.com/default/archives/1820>.

Ewdison Then, “Mophie Juice Pack iPhone 3G Review,” dated Nov. 12, 2008, <http://www.slashgear.com/mophie-juice-pack-iphone-3g-review-1222446/>.

Mophie Juice Pack iPhone 3G Product—Figures 1-8—Retrieved from <http://www.mophie.com/products/juice-pack-iphone-3g> on Apr. 10, 2009.

Mophie Juice Pack iPhone 3G Product—Figures 9-10—Retrieved from <http://www.mophie.com/pages/iphone-3g-details> on Apr. 10, 2009.

Mophie Juice Pack iPhone 3G Product—Figures 11-14—Retrieved from http://mophie.com/blogs/Juice_Pack_3G_FAQ on Apr. 10, 2009.

Mophie Juice Pack iPhone 3G Product—Figures 15-16—Retrieved from <http://mophie.com/blogs/press> on Apr. 20, 2009. Figure 15 is dated Aug. 4, 2008, and Figure 16 is dated Nov. 10, 2008.

Chris Foresman, “Several Backup Batteries Can Extend Your Daily iPhone 3G Use,” dated Jul. 18, 2008, <http://arstechnica.com/apple/2008/07/several-backup-batteries-can-extend-your-daily-iphone-3g-use/>.

Incase Power Slider 3G for iPhone 3G Product Reference, alleged by Incase to be available on Nov. 28, 2008.

Joseph Flatley, “Incase Power Slider for iPhone 3G Doubles the Juice, Lets You Sync,” dated Nov. 17, 2008. URL: <https://www.engadget.com/2008/11/17/incase-power-slider-for-iphone-3g-doubles-the-juice-lets-you-sy/>.

Darren Quick, “Mophie Juice Pack for iPhone 3G now shipping,” dated Nov. 10, 2008, <http://www.gizmag.com/mophie-juice-pack-iphone-3g/10342/>.

Jeremy Horwitz, “PhoneSuit MiLi Power Pack for iPhone,” Jan. 29, 2009, <http://www.ilounge.com/index.php/reviews/entry/phonesuit-mili-power-pack-for-iphone/>.

Jeremy Horwitz, “FastMac TruePower iV Universal Battery Charger,” Dec. 11, 2008, <http://www.ilounge.com/index.php/reviews/entry/fastmac-truepower-iv-universal-battery-charger/>.

Jeremy Horwitz, “Konnet PowerKZ Extended Power for iPhone,” Apr. 2, 2009, <http://www.ilounge.com/index.php/reviews/entry/konnet-powerkz-extended-power-for-iphone/>.

Jeremy Horwitz, “Review: Anker’s Ultra Slim Battery Case for iPhone 6 offers a surprising mix of thinness, power, and low

pricing”, 9to5Mac, posted Mar. 13, 2015, accessed May 29, 2018, <https://9to5mac.com/2015/03/13/review-ankers-ultra-slim-battery-case-iphone-6/>.

“Test: Batterie iPhone SKPAD” with Machine English Translation, Feb. 2, 2009, <http://iphonesofa.com/2009/02/02/test-batterie-iphone-skpad>.

Webpage Archive, Mophie.com, Nov. 25, 2007.

Ben Kaufman, “Behind the Invention: The mophie Juice Pack,” dated Dec. 31, 2013, <https://medium.com/@benkaufman/behind-the-invention-the-mophie-juice-pack-a0620f74efcf>.

Amazon.com, “Galaxy S6 Battery Case, i-Blason External Protective Battery Case/Cover for Samsung Galaxy S6 2015 Release.” Customer Review published Mar. 29, 2015. Retrieved from internet at <http://www.amazon.com/Case-i-Blason-External-Protective-Versions/dp/B00SNS4LME>, Apr. 28, 2016. 7 pages.

* cited by examiner

Primary Examiner — Susan E Krakower

Assistant Examiner — L. A. Grabenstetter

(74) *Attorney, Agent, or Firm* — Knobbe, Martens, Olson & Bear, LLP

(57)

CLAIM

The ornamental design for a case for a mobile electronic device, as shown and described.

DESCRIPTION

FIG. 1 is a top-front perspective view of a first embodiment of the design for a case for a mobile electronic device in a closed configuration;

FIG. 2 is a bottom-rear perspective view thereof;

FIG. 3 is a front view thereof;

FIG. 4 is a rear view thereof;

FIG. 5 is a left-side view thereof;

FIG. 6 is a right-side view thereof;

FIG. 7 is a top view thereof;

FIG. 8 is a bottom view thereof;

FIG. 9 is a top-front perspective view of the first embodiment of the design for a case for a mobile electronic device in an open configuration;

FIG. 10 is a bottom-rear perspective view thereof;

The front view thereof is the same as FIG. 3;

The rear view thereof is the same as FIG. 4;

FIG. 11 is a left-side view thereof;

FIG. 12 is a right-side view thereof;

FIG. 13 is a top view thereof; and

FIG. 14 is a bottom view thereof.

FIG. 15 is a top-front perspective view of a second embodiment of the design for a case for a mobile electronic device in a closed configuration;

FIG. 16 is a bottom-rear perspective view thereof;

FIG. 17 is a front view thereof;

FIG. 18 is a rear view thereof;

FIG. 19 is a left-side view thereof;

FIG. 20 is a right-side view thereof;

FIG. 21 is a top view thereof;

FIG. 22 is a bottom view thereof;

FIG. 23 is a top-front perspective view of the second embodiment of the design for a case for a mobile electronic device in an open configuration;

FIG. 24 is a bottom-rear perspective view thereof;

The front view thereof is the same as FIG. 17;

The rear view thereof is the same as FIG. 18;

FIG. 25 is a left-side view thereof;

FIG. 26 is a right-side view thereof;

FIG. 27 is a top view thereof; and,
FIG. 28 is a bottom view thereof.

For clarity of disclosure, the components of the case are shown separated in FIGS. 9-14 and 23-28. Although the case for a mobile electronic device, in which the claimed design is embodied, consists of two separable components, the claim is directed to the overall ornamental appearance of the case for a mobile electronic device in its entirety and does not extend to the ornamental appearance of each of the individual components.

The broken lines depict portions of the second embodiment of the case for a mobile electronic device that form no part of the second embodiment of the claimed design. Broken lines and unshaded regions bounded by broken lines form no part of the claimed design.

1 Claim, 20 Drawing Sheets

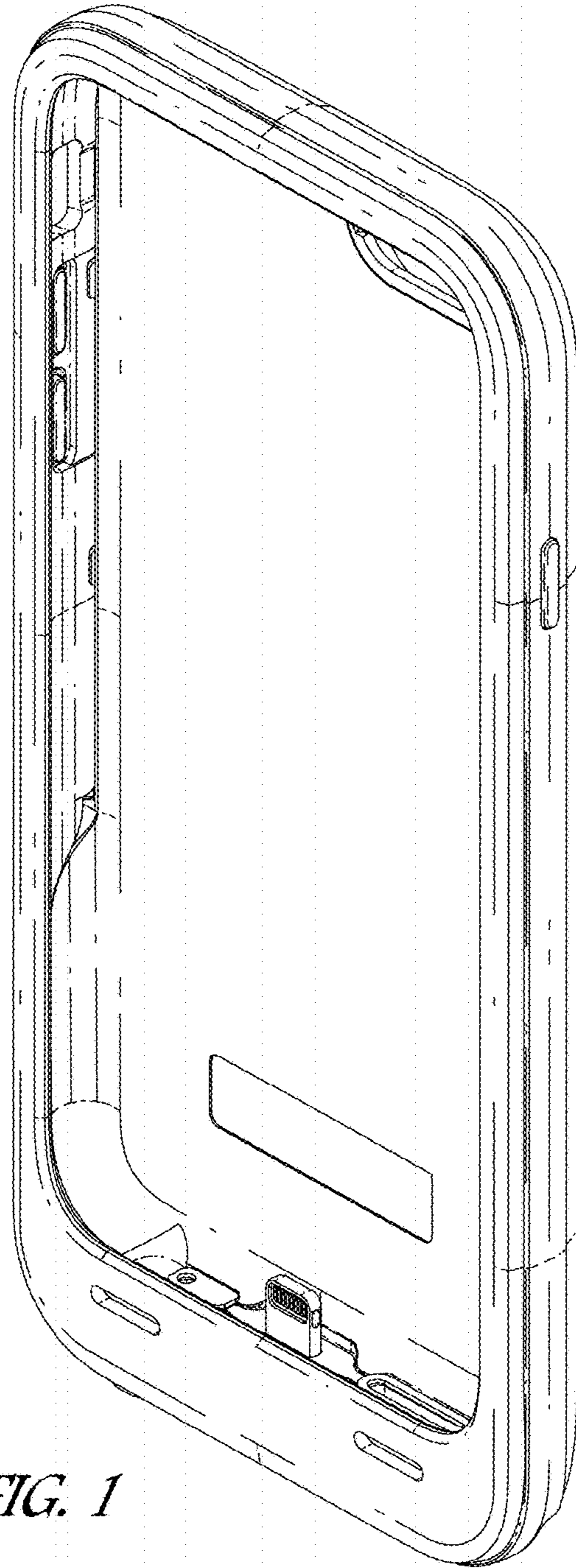


FIG. 1

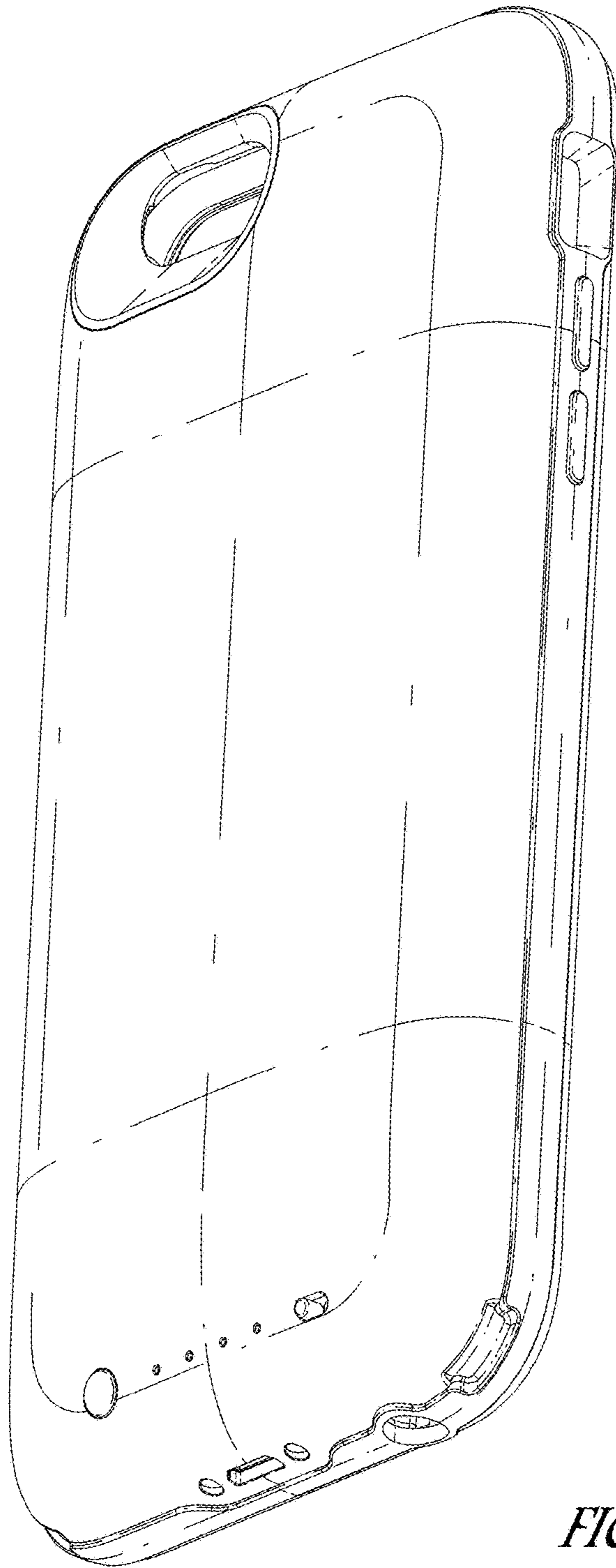


FIG. 2

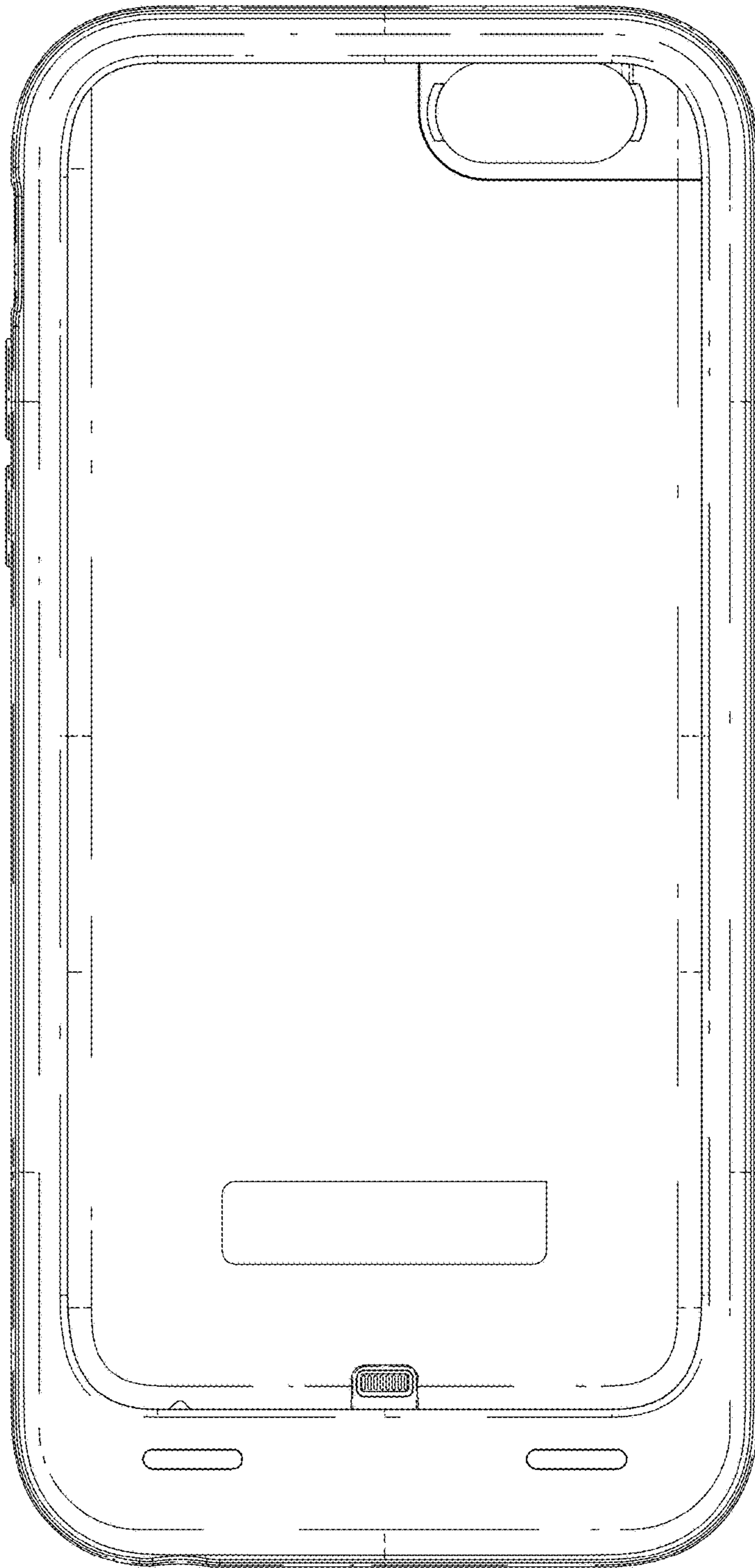


FIG. 3

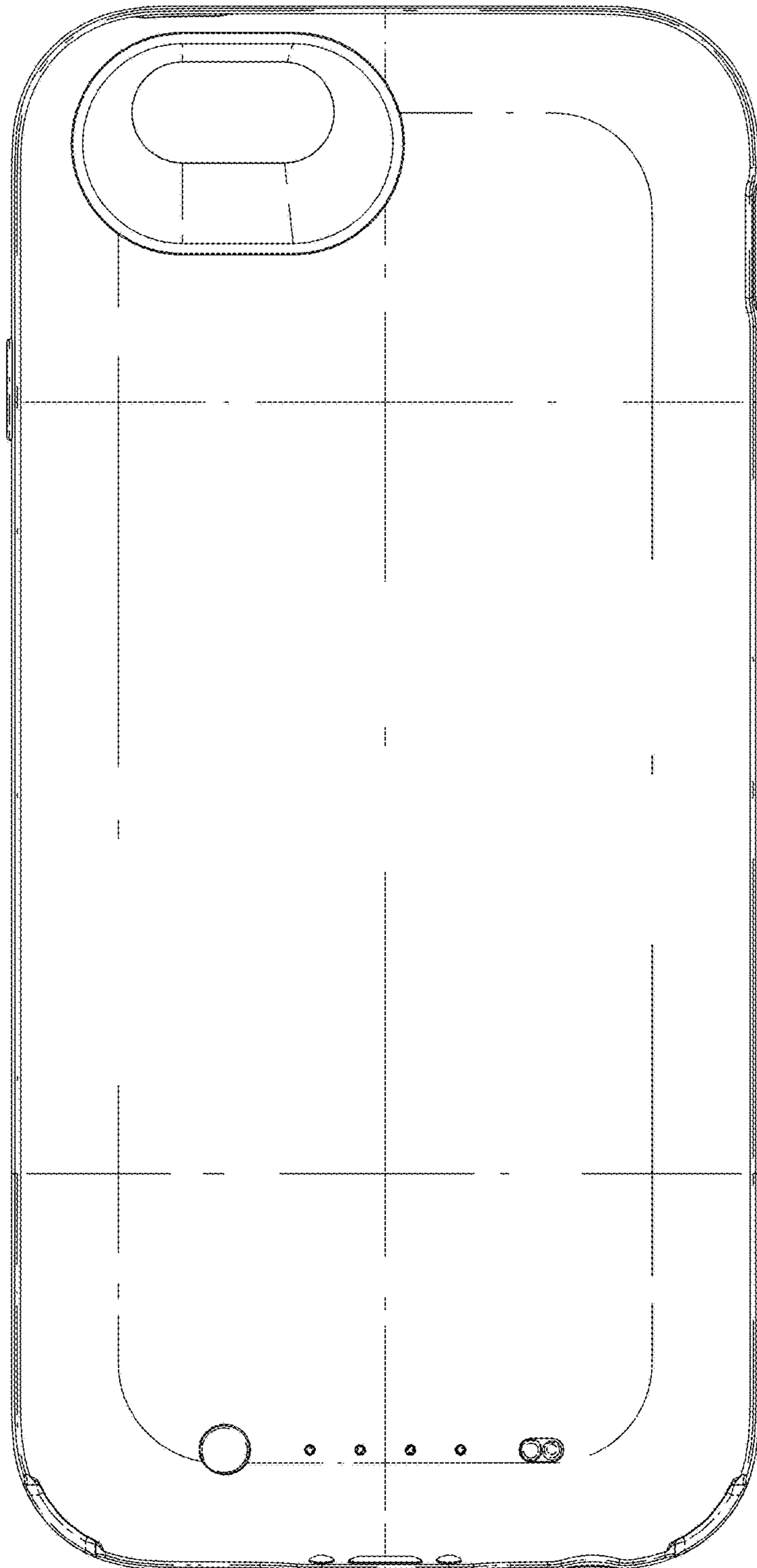


FIG. 4

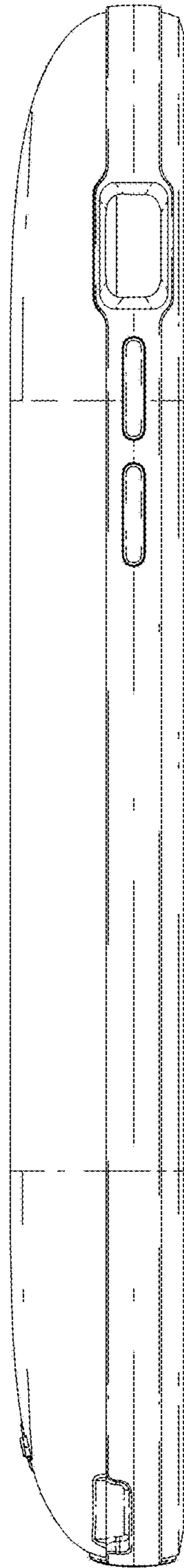


FIG. 5

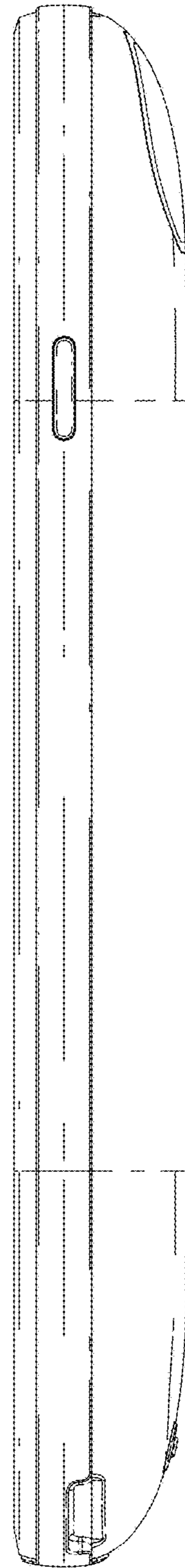


FIG. 6

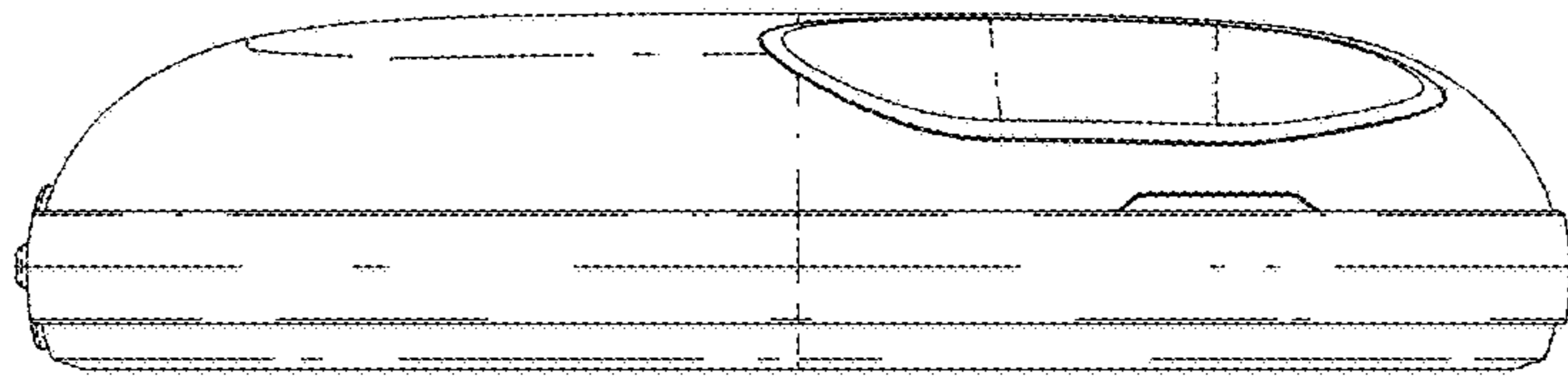


FIG. 7

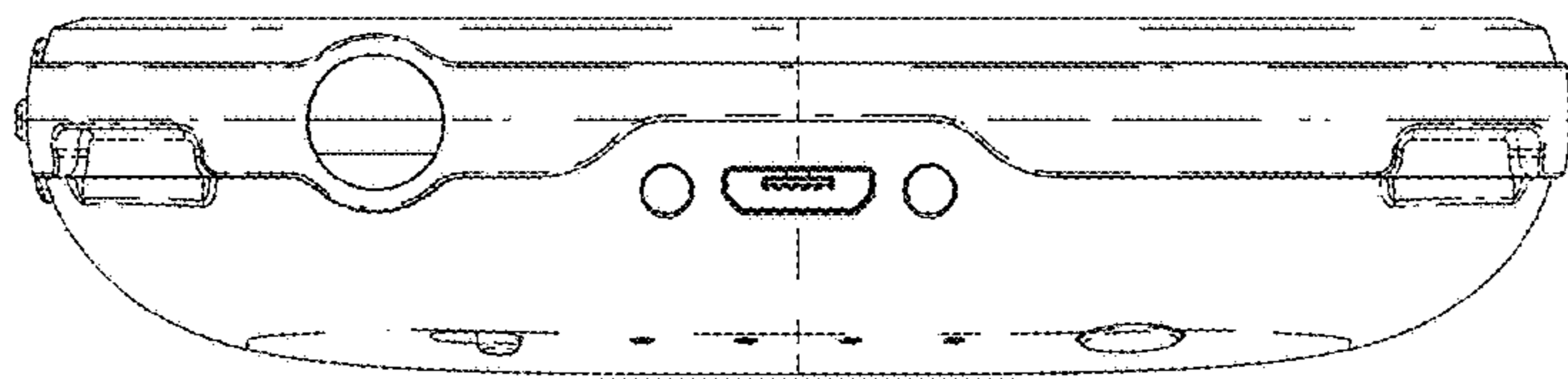


FIG. 8

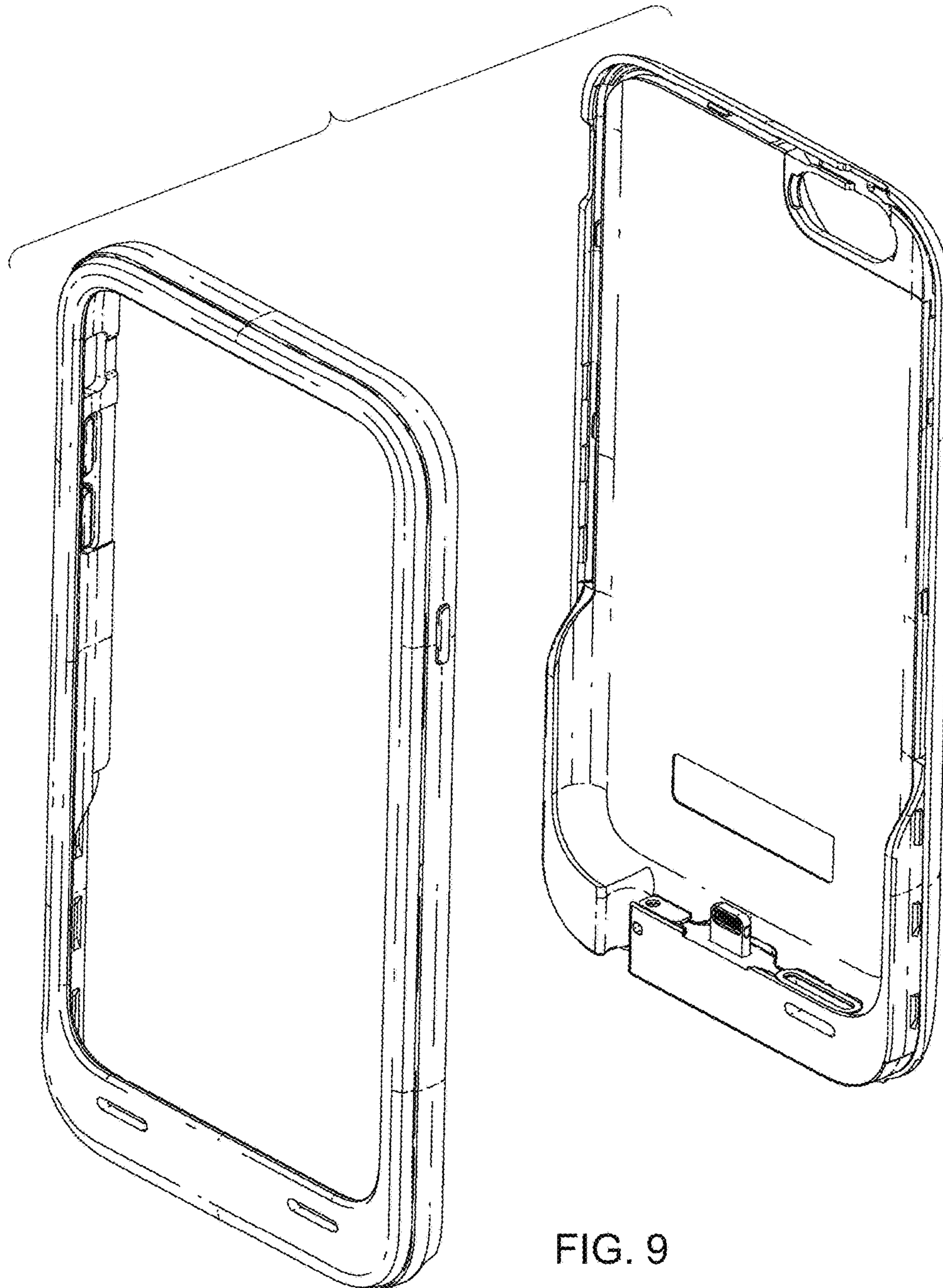


FIG. 9

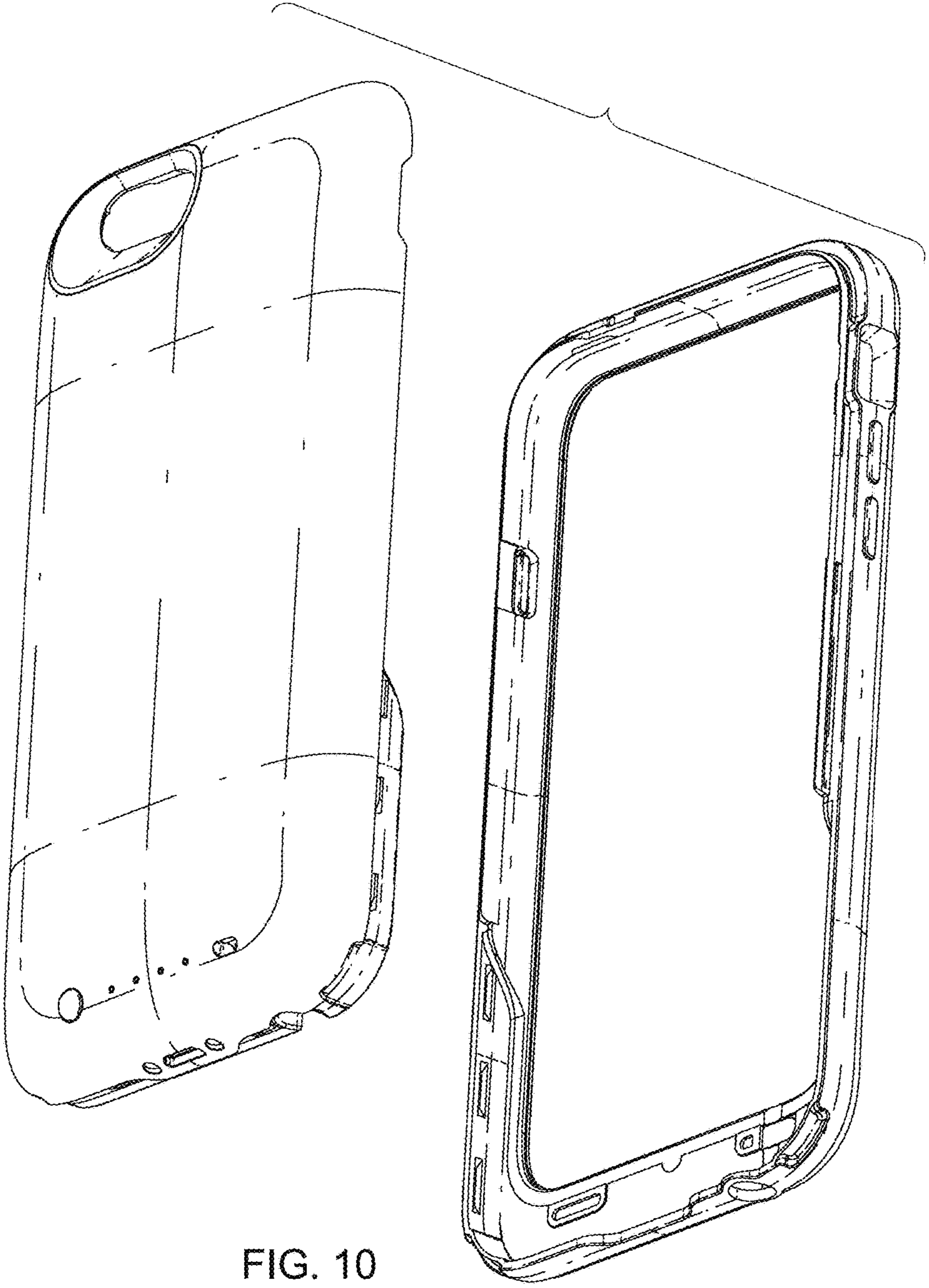


FIG. 10

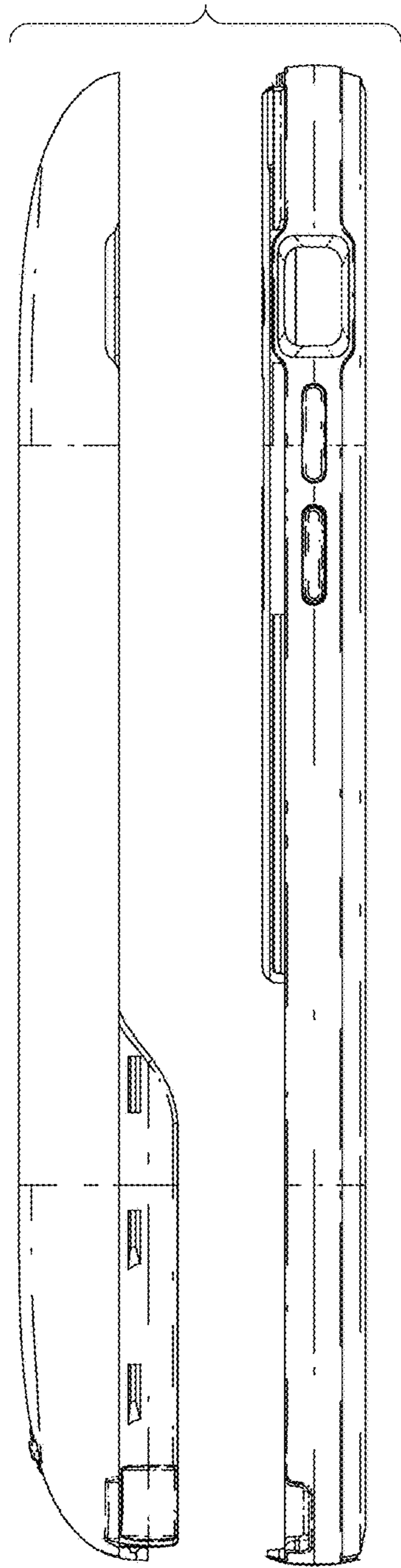


FIG. 11

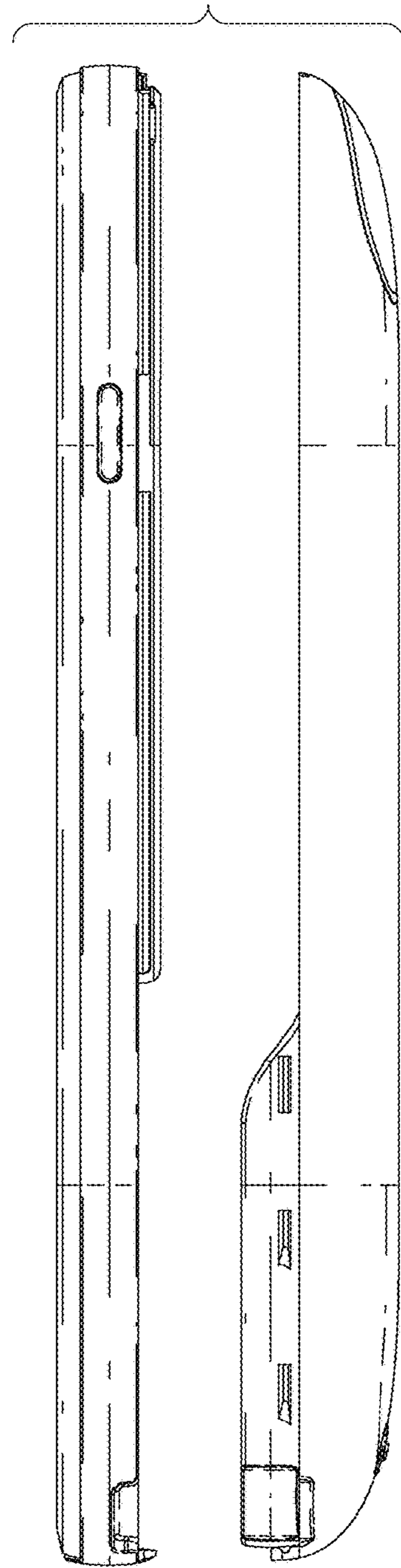


FIG. 12

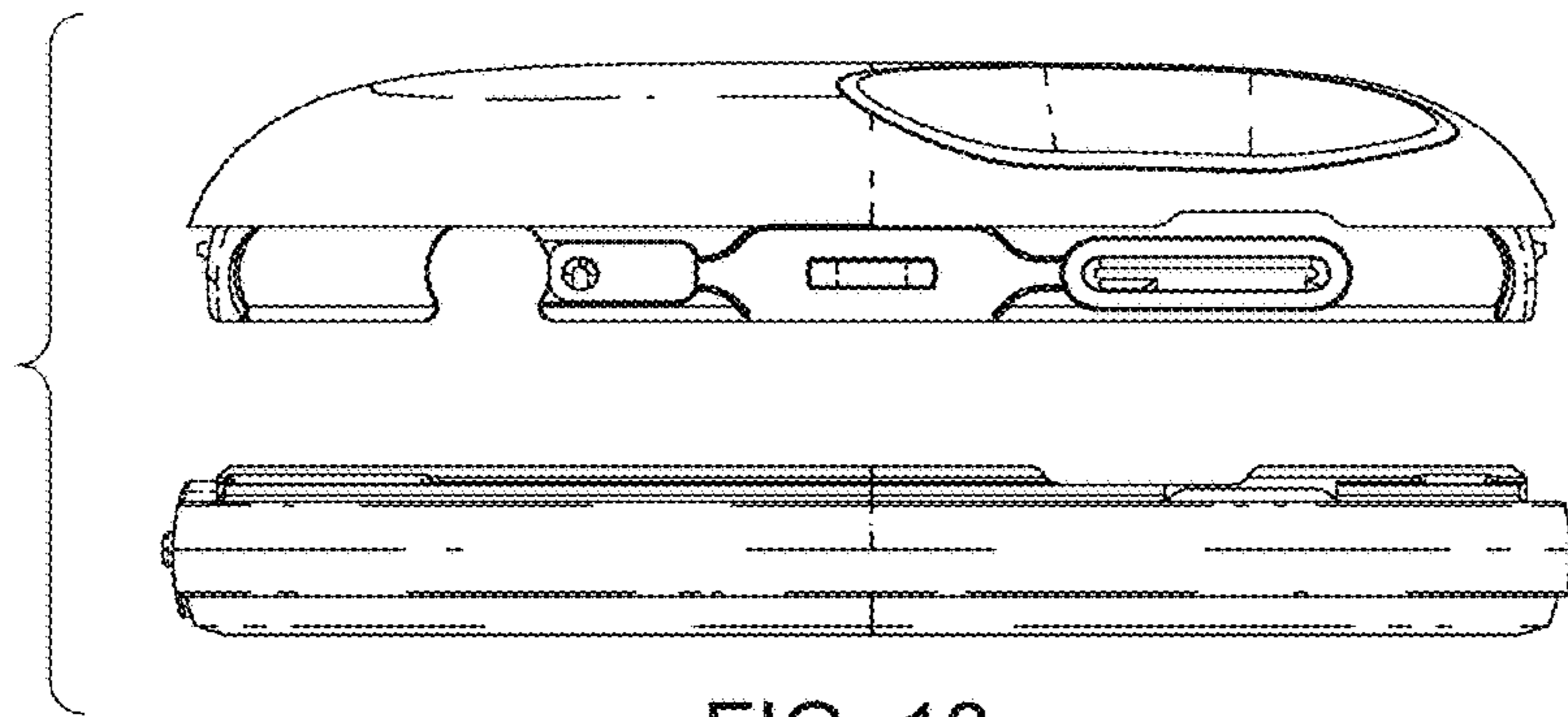


FIG. 13

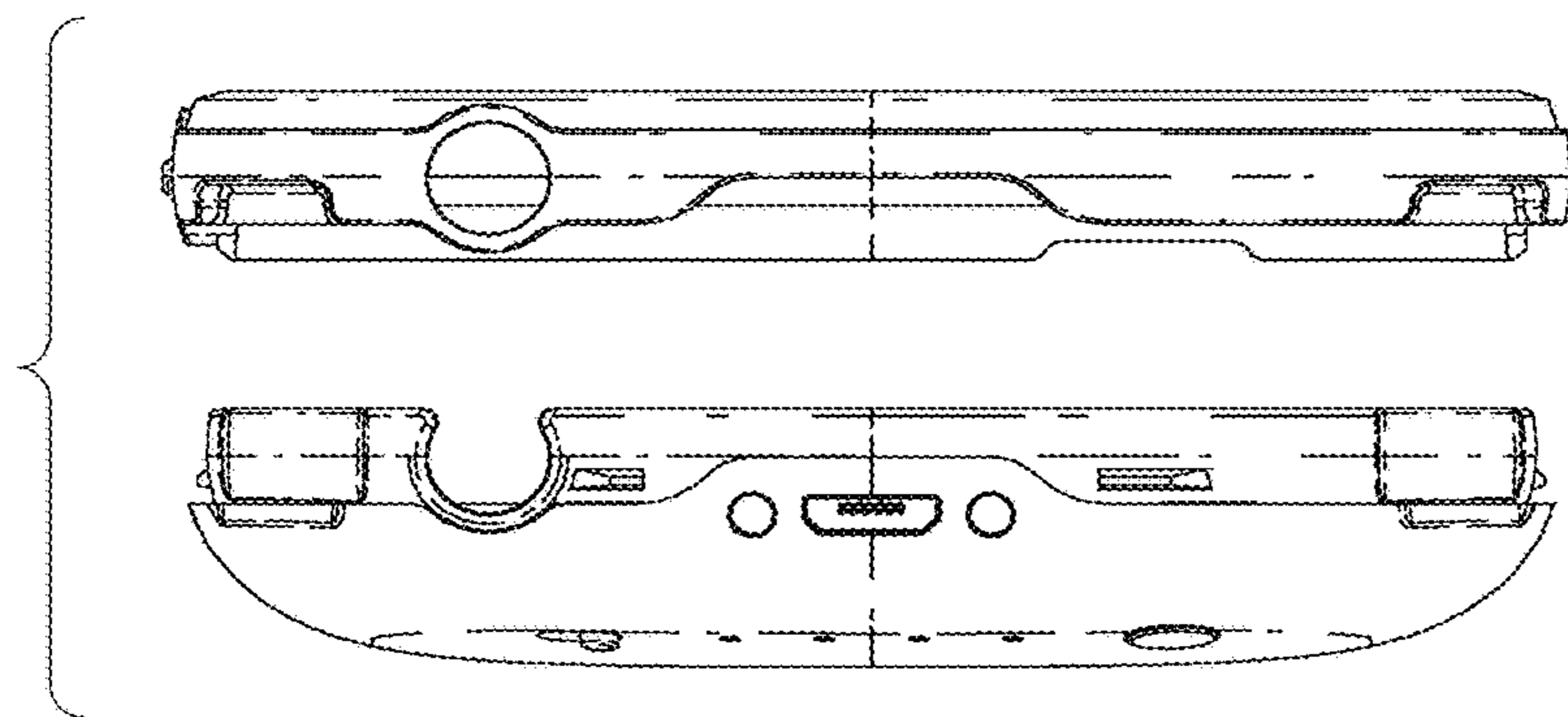


FIG. 14

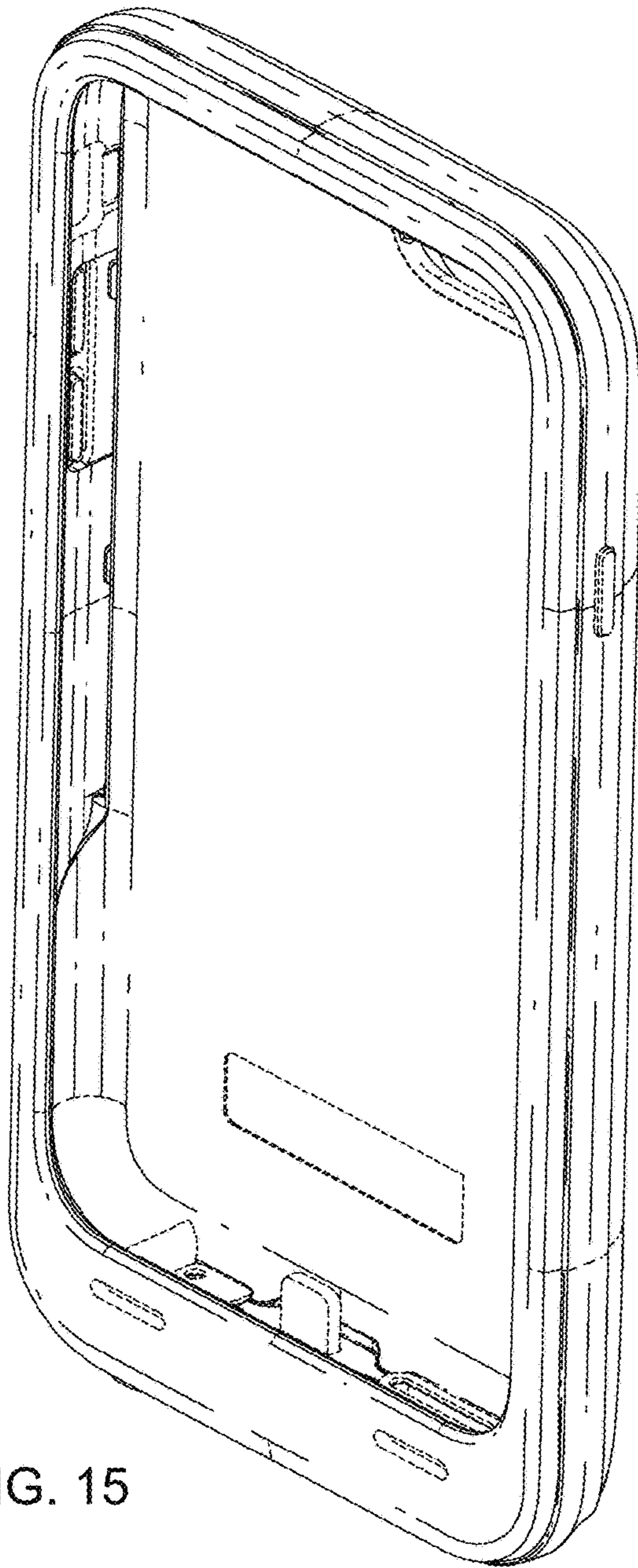


FIG. 15

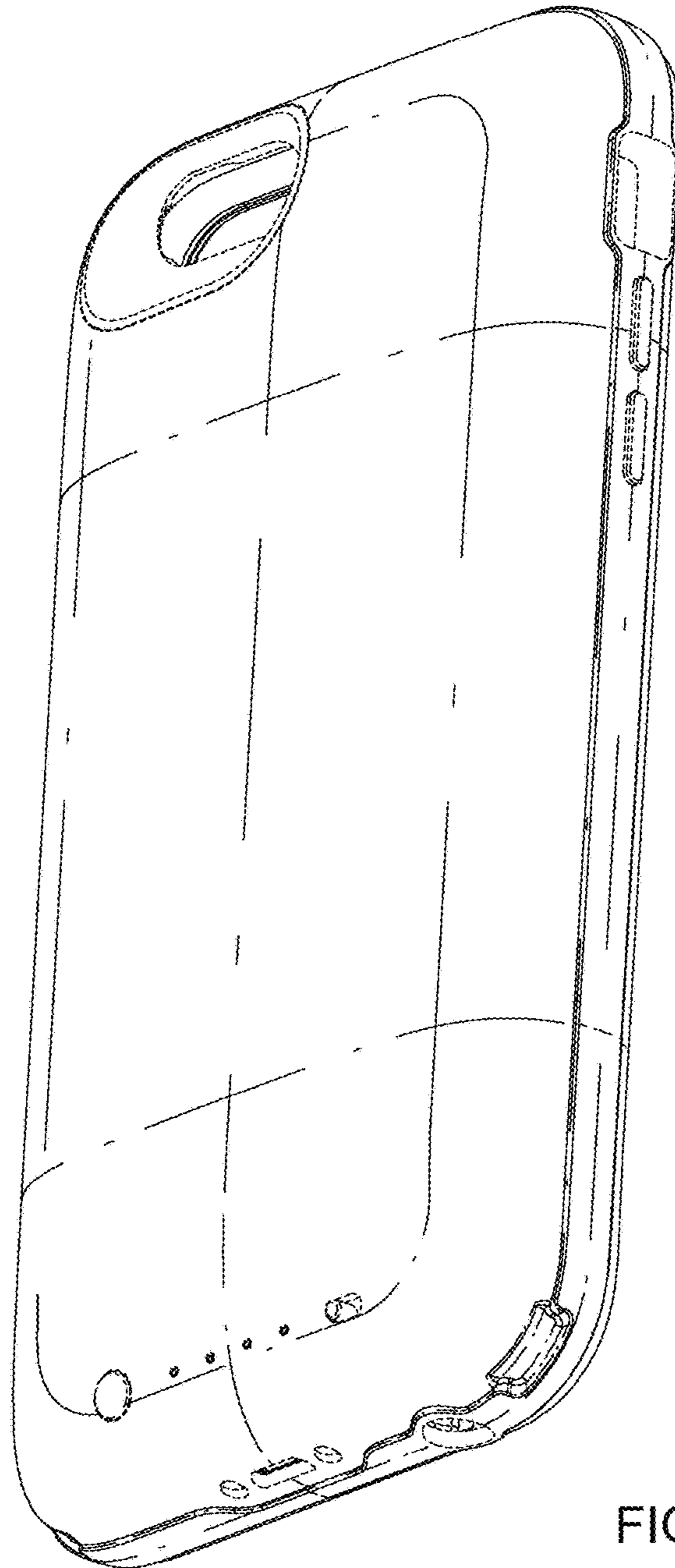


FIG. 16

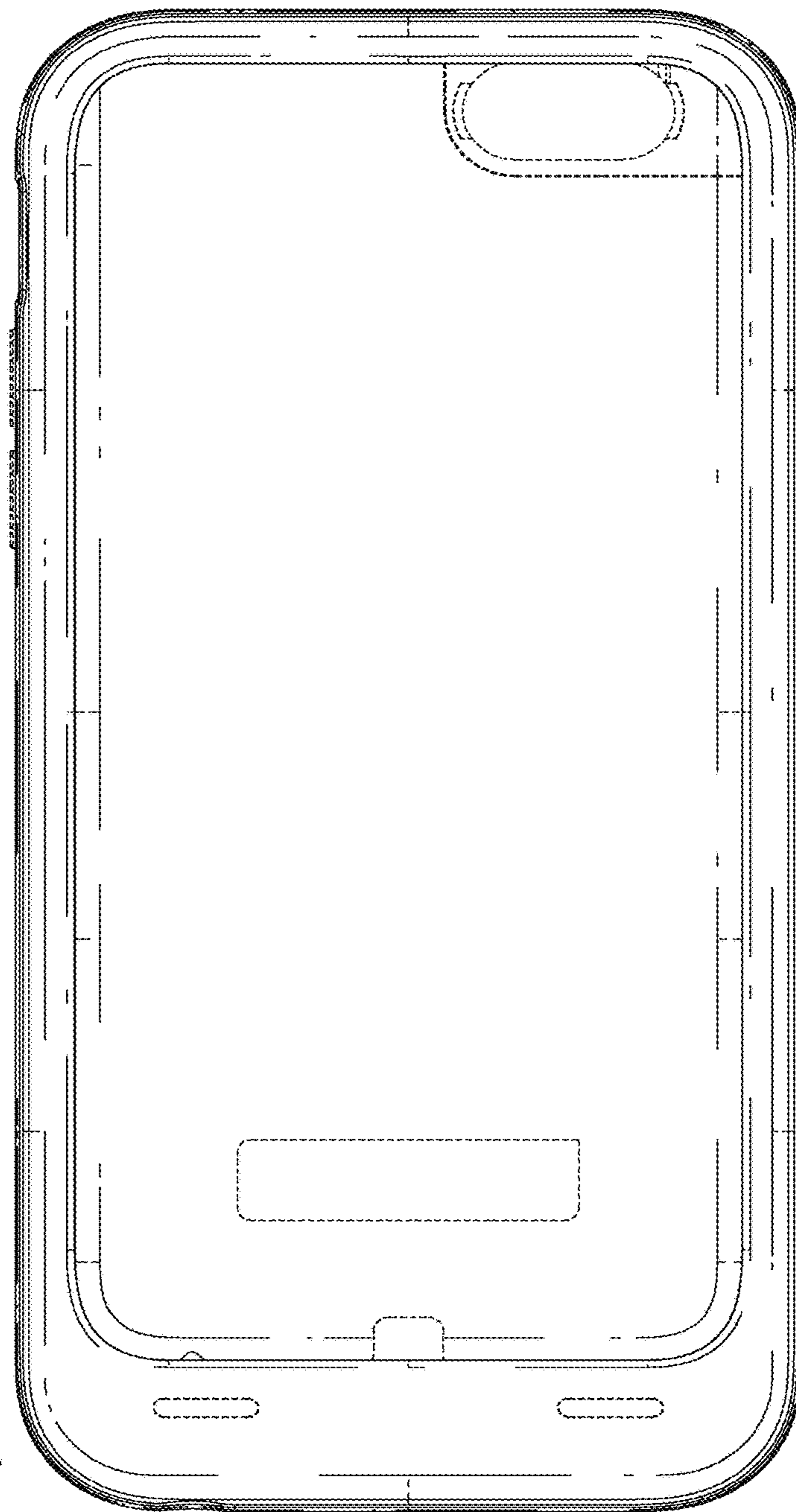


FIG. 17

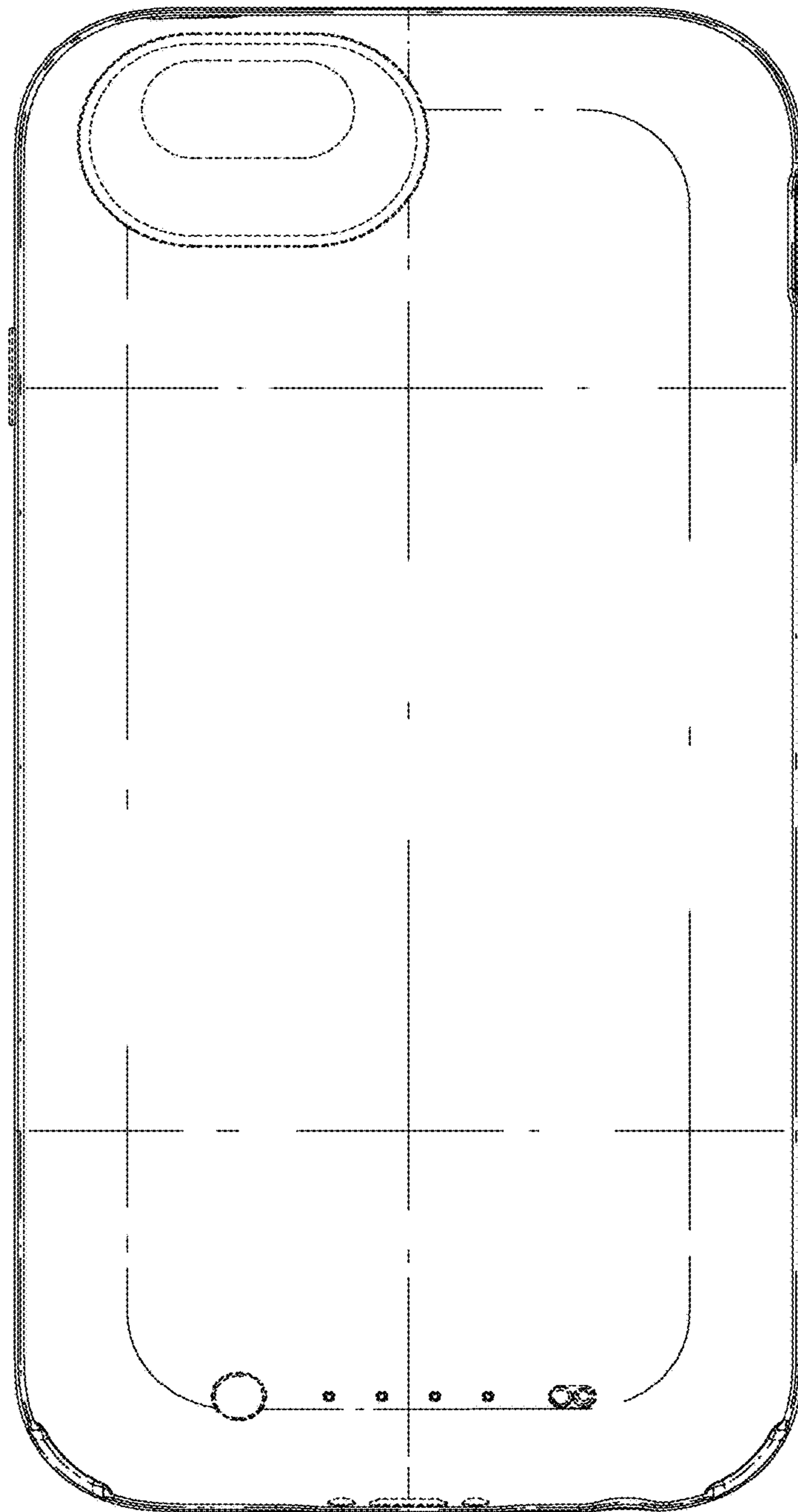


FIG. 18

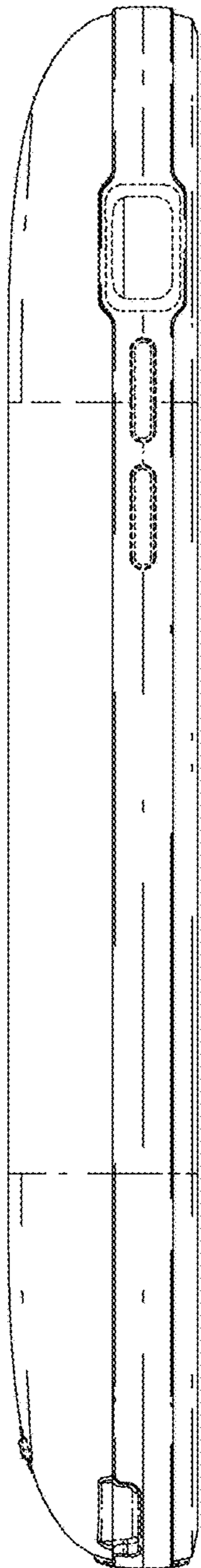


FIG. 19

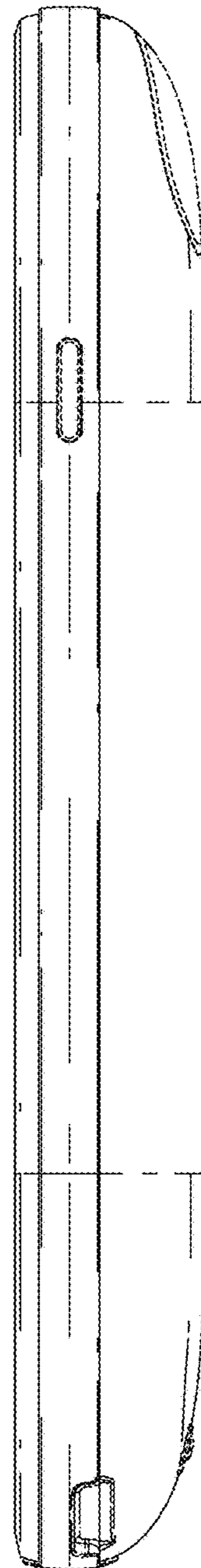


FIG. 20

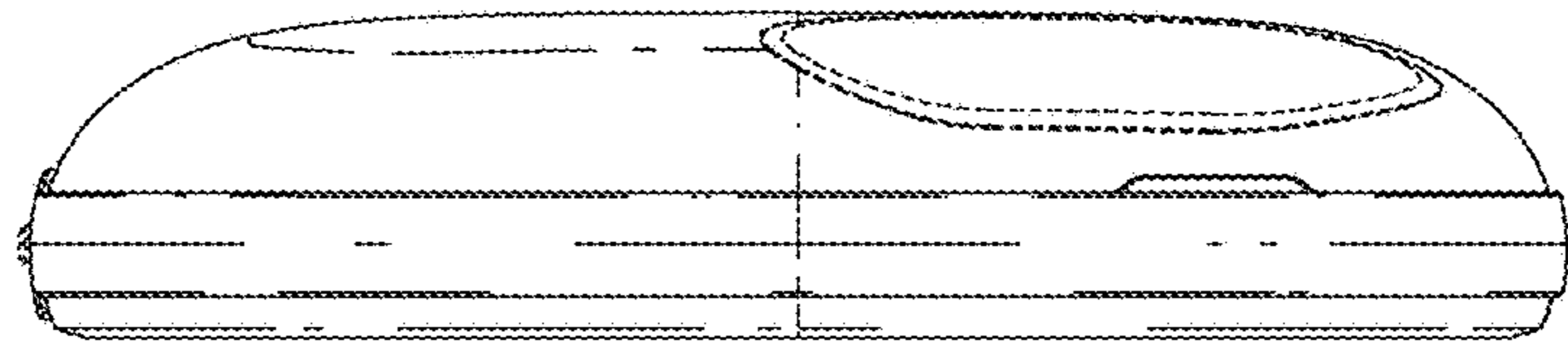


FIG. 21

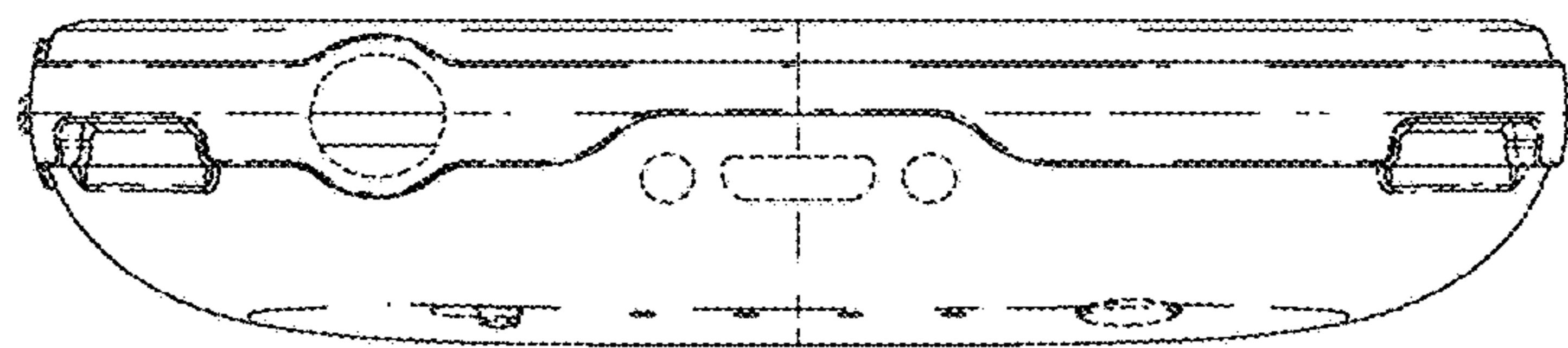


FIG. 22

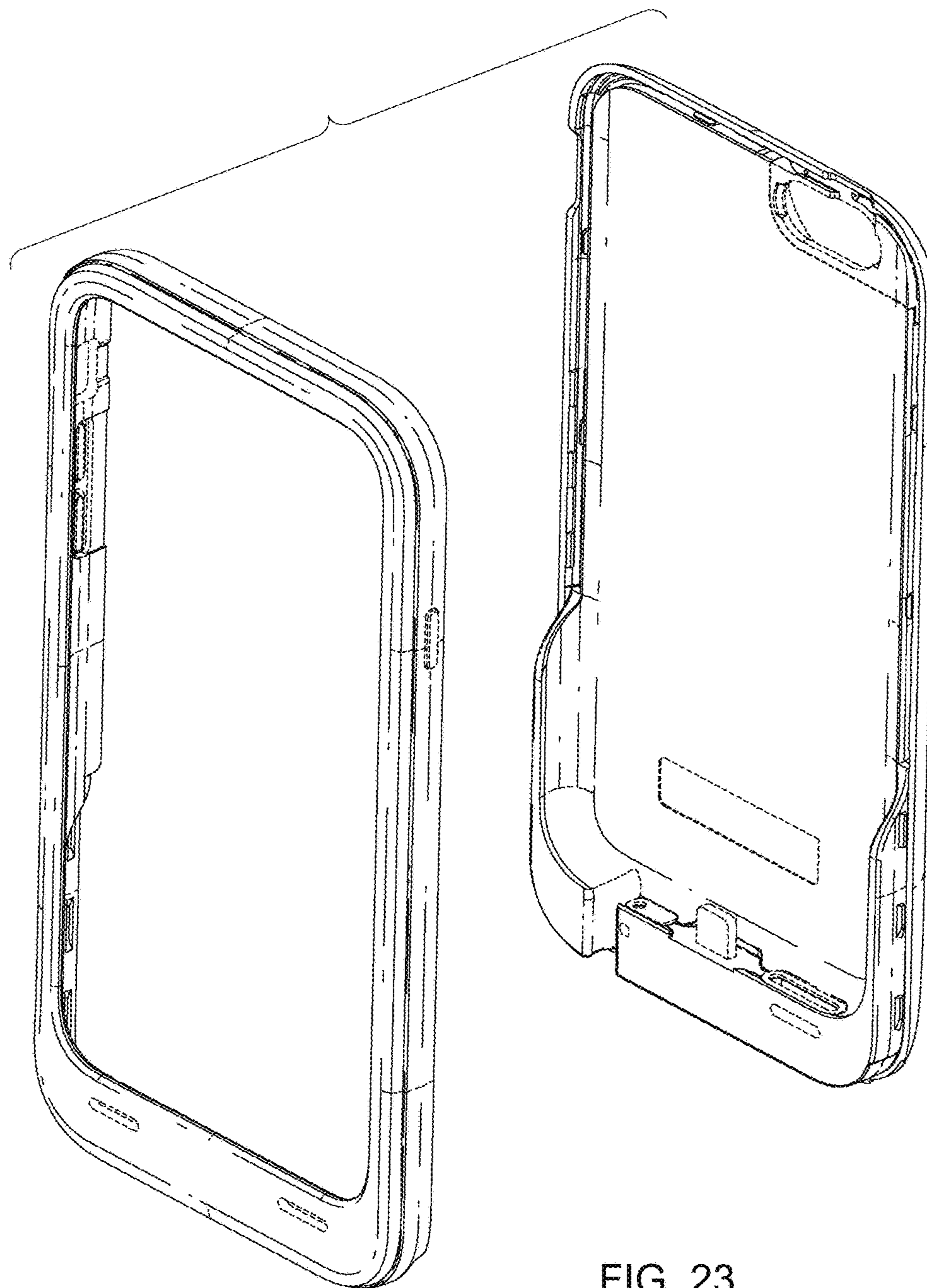


FIG. 23

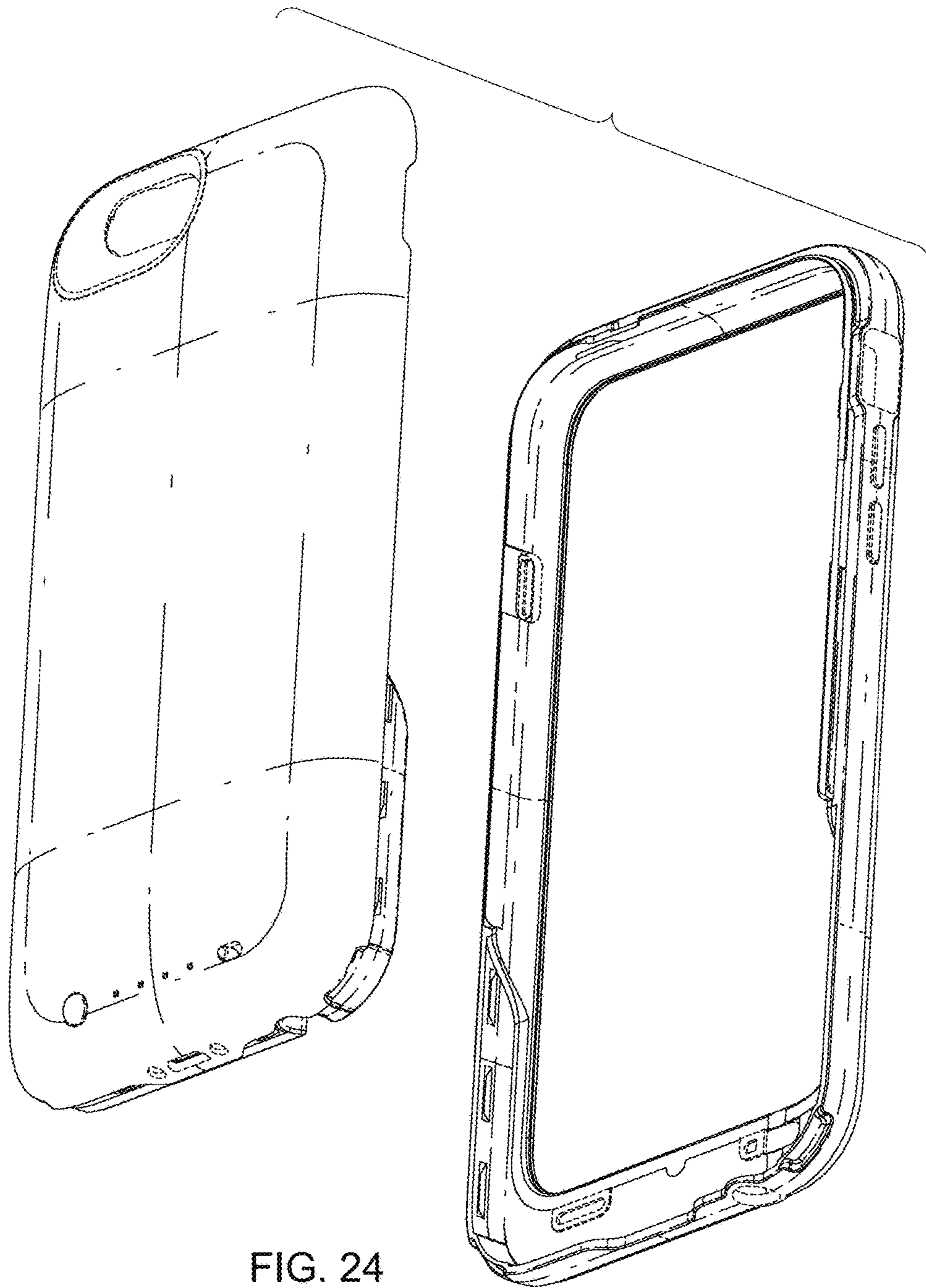


FIG. 24

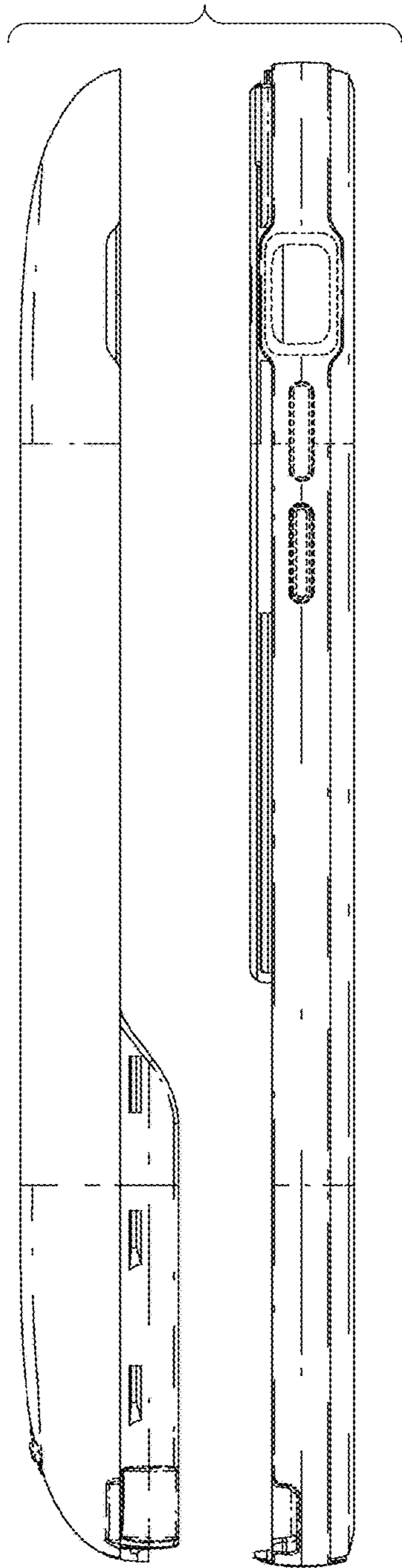


FIG. 25

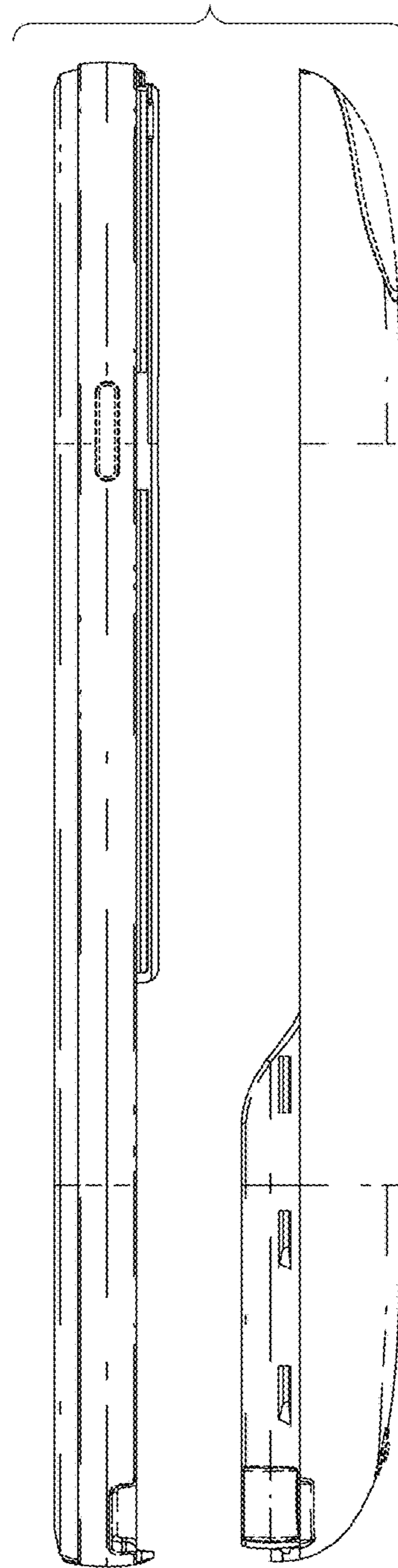


FIG. 26

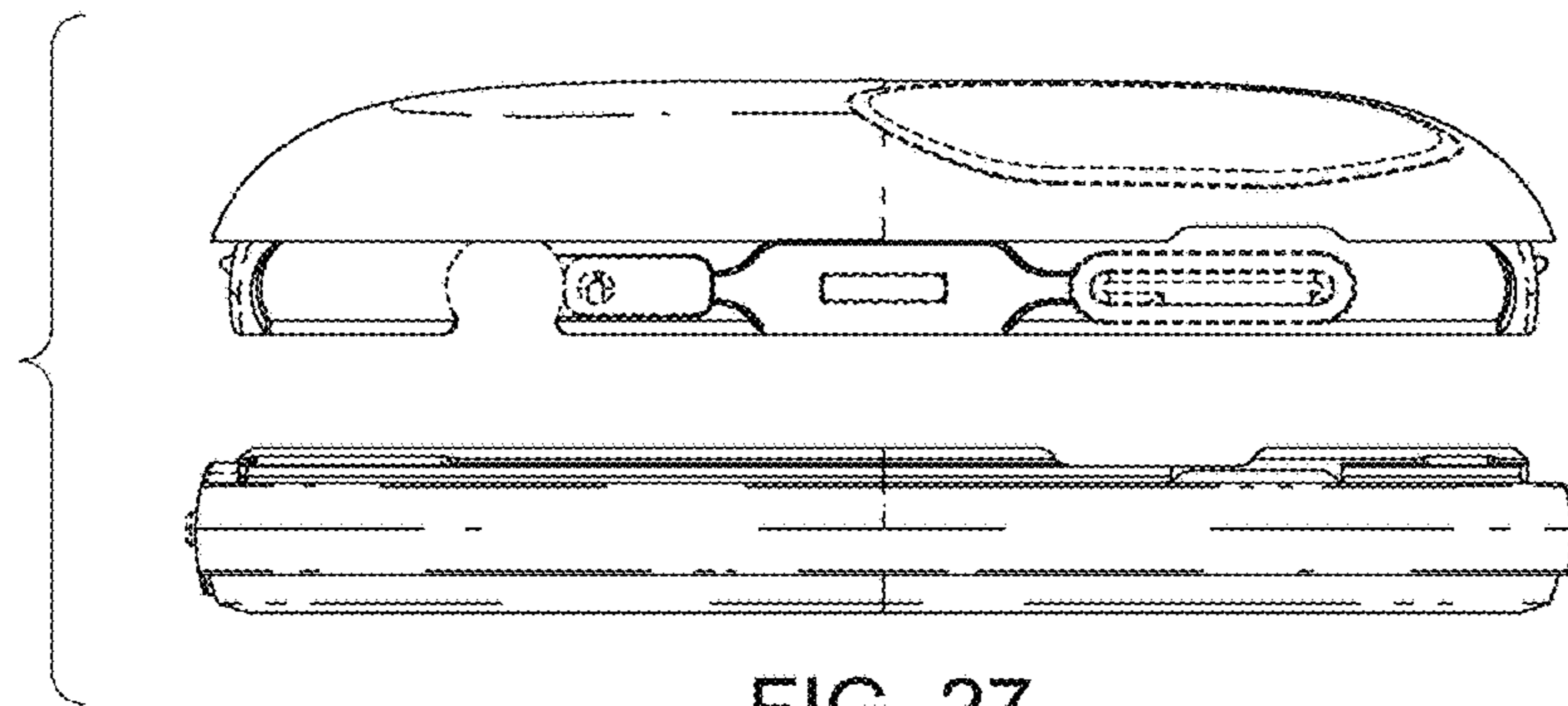


FIG. 27

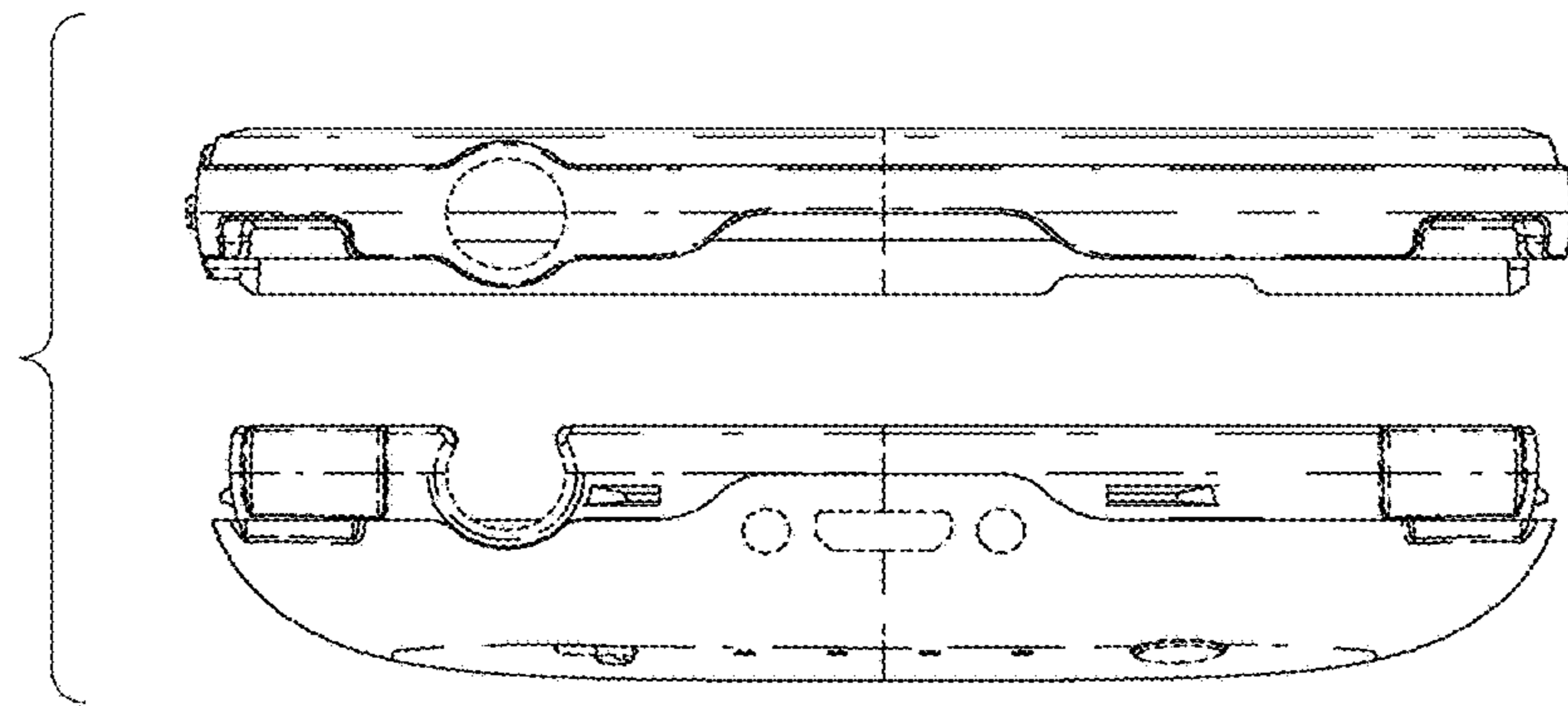


FIG. 28