

US00D860173S

(12) **United States Design Patent**
Nokuo

(10) **Patent No.:** **US D860,173 S**

(45) **Date of Patent:** **** Sep. 17, 2019**

(54) **EARPHONE HOLDER**

(71) Applicant: **SONY INTERACTIVE ENTERTAINMENT INC.**, Tokyo (JP)

(72) Inventor: **Taichi Nokuo**, Tokyo (JP)

(73) Assignee: **SONY INTERACTIVE ENTERTAINMENT INC.**, Tokyo (JP)

(**) Term: **15 Years**

(21) Appl. No.: **29/641,735**

(22) Filed: **Mar. 23, 2018**

(30) **Foreign Application Priority Data**

Sep. 25, 2017 (JP) 2017-020864

(51) **LOC (12) Cl.** **14-01**

(52) **U.S. Cl.**
USPC **D14/223**

(58) **Field of Classification Search**
USPC D14/223, 205, 372; D8/356, 388, 354,
D8/349, 499; 174/59, 51; 439/457;
248/68.1, 56, 51; 242/378.1
CPC H04R 1/1033; H04R 25/00; H04R 1/1058;
B65H 75/48
See application file for complete search history.

(56) **References Cited**

U.S. PATENT DOCUMENTS

- 1,364,031 A * 12/1920 Brenizer B44D 3/38
242/395.1
- 1,788,414 A * 1/1931 Stevenson F16J 15/54
277/550
- 2,075,508 A * 3/1937 Davidson A61B 17/0401
24/712.9
- 2,458,409 A * 1/1949 Paige H02G 3/065
285/154.1
- 2,545,514 A * 3/1951 Erb F16B 9/026
174/153 G

- 2,816,949 A * 12/1957 Curtiss H01B 17/308
174/51
- 3,087,447 A * 4/1963 Adam D05B 57/26
112/231
- 3,351,974 A * 11/1967 Wilhelmi E05B 85/08
16/2.1
- 3,381,643 A * 5/1968 Meloy, Jr. D05B 57/26
112/181
- 3,506,999 A * 4/1970 Neher B66B 7/06
16/2.1
- 3,516,111 A * 6/1970 Heyman F16L 5/00
16/2.1
- 3,754,534 A * 8/1973 Burley F02P 15/005
123/211

(Continued)

Primary Examiner — Paula Allen Greene

(74) *Attorney, Agent, or Firm* — Young & Thompson

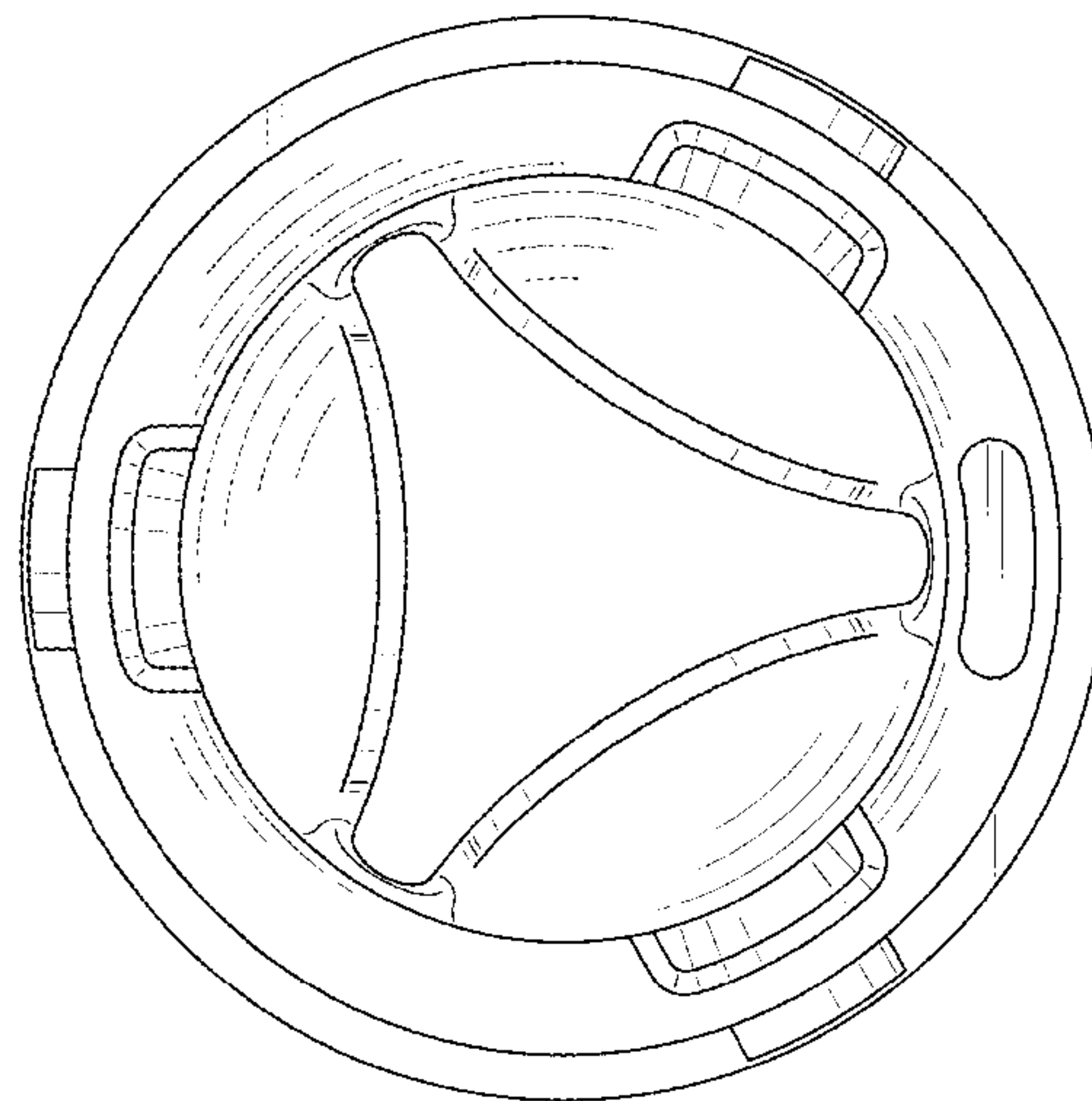
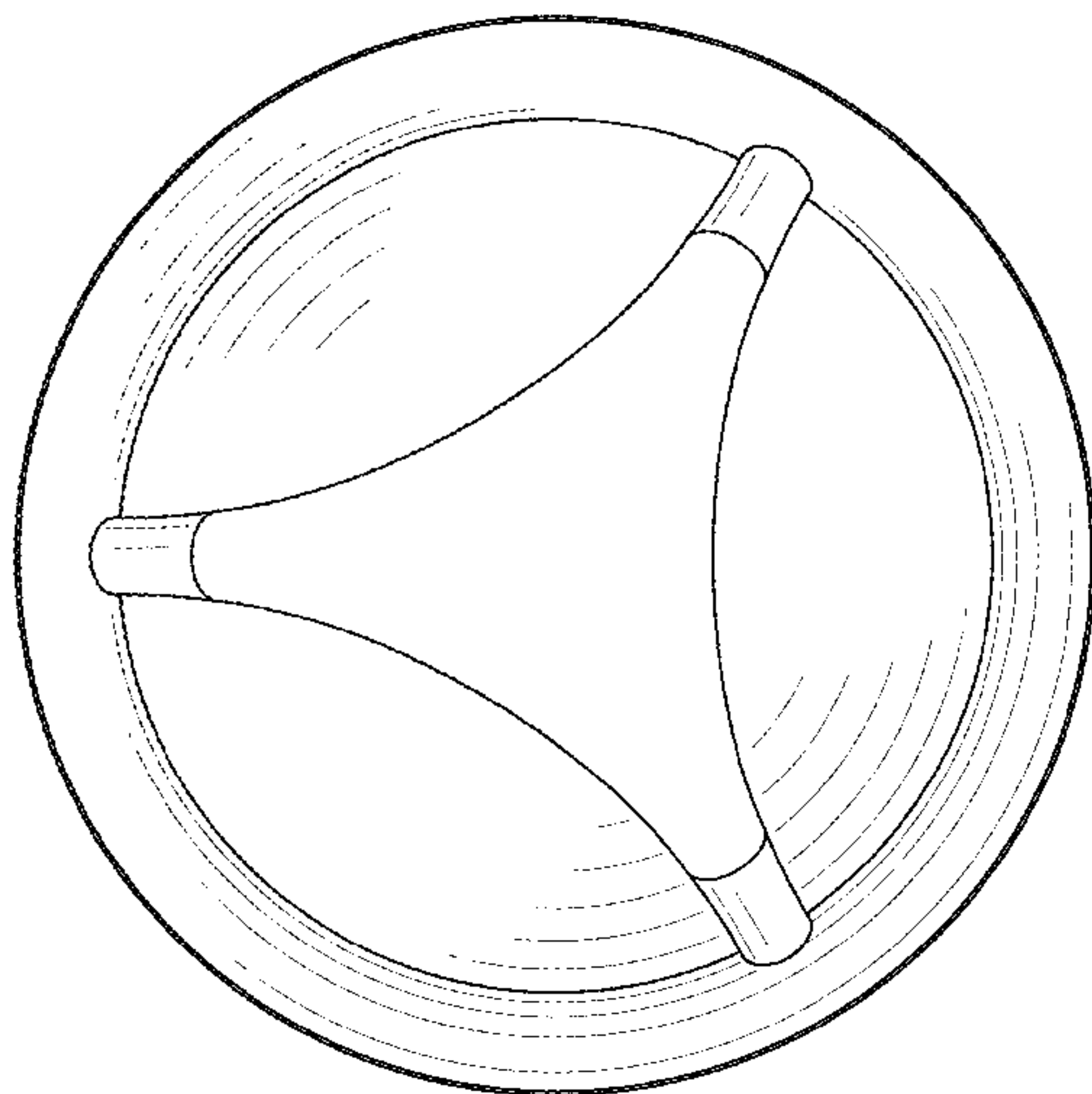
(57) **CLAIM**

The ornamental design for an earphone holder, as shown and described.

DESCRIPTION

FIG. 1 is a perspective view of front, top and left side of an earphone holder showing my new design;
 FIG. 2 is a perspective view of rear, bottom and right side thereof;
 FIG. 3 is a front view thereof;
 FIG. 4 is a rear view thereof;
 FIG. 5 is a left side view thereof;
 FIG. 6 is a right side view thereof;
 FIG. 7 is a top view thereof;
 FIG. 8 is a bottom view thereof;
 FIG. 9 is a reference view 1 of usage thereof;
 FIG. 10 is a reference view 2 of usage thereof; and,
 FIG. 11 is a reference view 3 of usage thereof.
 The portions of the article in broken lines are shown for illustrative purposes only and form no part of the claimed design.

1 Claim, 9 Drawing Sheets



US D860,173 S

(56)

References Cited

U.S. PATENT DOCUMENTS

3,788,655 A * 1/1974 Hathaway F16L 5/10
16/2.2

4,150,798 A * 4/1979 Aragon H02G 11/02
191/12.2 R

4,299,363 A * 11/1981 Datschefski H02G 3/083
16/108

4,802,638 A * 2/1989 Burger B65H 75/143
242/388.1

4,910,362 A * 3/1990 Kinner D06F 75/28
174/135

D316,030 S * 4/1991 Adielsson D8/358

D344,033 S * 2/1994 Davidge D10/106.9

5,422,957 A * 6/1995 Cummins B65H 75/4431
381/384

D376,531 S * 12/1996 Polley D21/443

5,699,591 A * 12/1997 Kane E05B 73/0005
24/114.6

5,755,394 A * 5/1998 Cordova B65H 75/28
242/405.3

5,832,098 A * 11/1998 Chen H04M 1/05
381/370

D416,778 S * 11/1999 Pitcher D8/330

5,984,224 A * 11/1999 Yang B65H 75/4473
242/400.1

6,059,081 A * 5/2000 Patterson H02G 11/02
191/12.2 A

6,065,708 A * 5/2000 Matsubara H02G 11/02
242/388.1

D427,034 S * 6/2000 Cyrell D8/356

6,189,186 B1 * 2/2001 Boden F16G 11/14
24/115 H

6,278,061 B1 * 8/2001 Daoud H02G 3/22
16/2.1

D456,692 S * 5/2002 Epstein D8/356

6,431,500 B1 * 8/2002 Jacobs F16L 3/13
24/129 R

6,438,248 B1 * 8/2002 Kamimura H04M 1/05
381/374

D465,988 S * 11/2002 Green D8/349

6,616,080 B1 * 9/2003 Edwards A45C 7/0045
191/12.2 R

D504,883 S * 5/2005 Jacobson D14/192

D505,859 S * 6/2005 Suzuki D8/358

D506,124 S * 6/2005 Strickland D21/777

D508,199 S * 8/2005 Winig D8/356

7,036,444 B2 * 5/2006 Fluckiger D05B 57/26
112/231

7,086,512 B2 * 8/2006 Shack H04M 1/15
191/12 R

D542,123 S * 5/2007 Symons D8/356

D566,107 S * 4/2008 Bowling D14/205

7,372,974 B2 * 5/2008 Yanagishita H04R 1/1033
381/370

D583,362 S * 12/2008 Hsu D14/205

D585,880 S * 2/2009 Sade D14/205

D591,678 S * 5/2009 Whitley D13/133

D625,985 S * 10/2010 Mori H02G 3/32
D8/356

D631,730 S * 2/2011 Skillman B65H 75/143
D8/356

8,167,102 B2 * 5/2012 Skillman B65H 75/143
191/12.2 R

D676,833 S * 2/2013 Garcia D14/223

D685,771 S * 7/2013 Bertenthal D14/223

D692,293 S * 10/2013 Toscani D8/356

D775,933 S * 1/2017 Hill D8/349

D805,370 S * 12/2017 Ng D8/356

D808,778 S * 1/2018 Smeja H02J 7/0042
D8/356

D811,858 S * 3/2018 Martino D8/356

9,982,376 B2 * 5/2018 Iizuka D01H 1/183

D842,078 S * 3/2019 Martino D8/356

2008/0121763 A1 * 5/2008 Mori H02G 3/32
248/68.1

2012/0305868 A1 * 12/2012 Callahan H02G 3/12
254/134.3 R

* cited by examiner

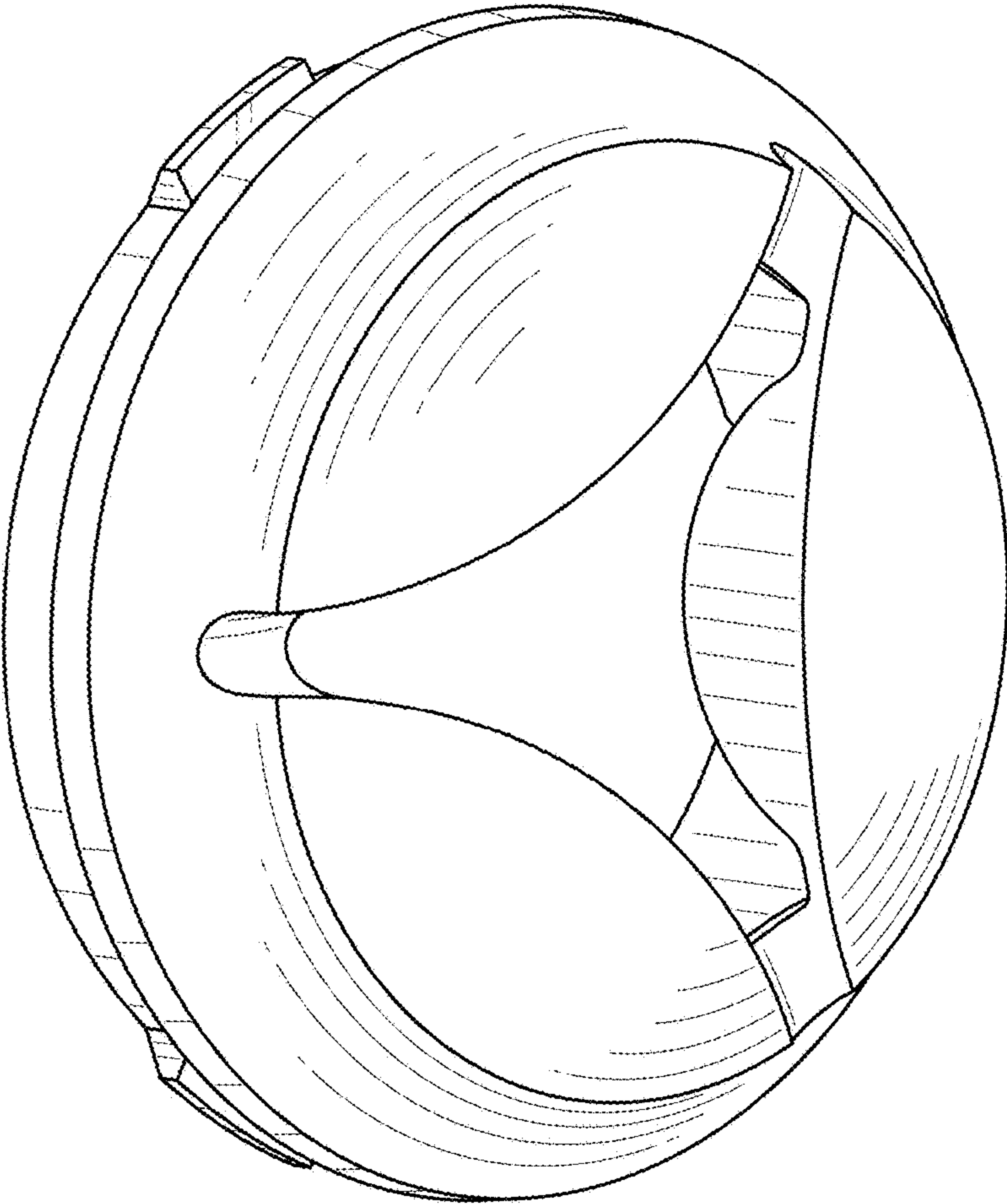


FIG. 1

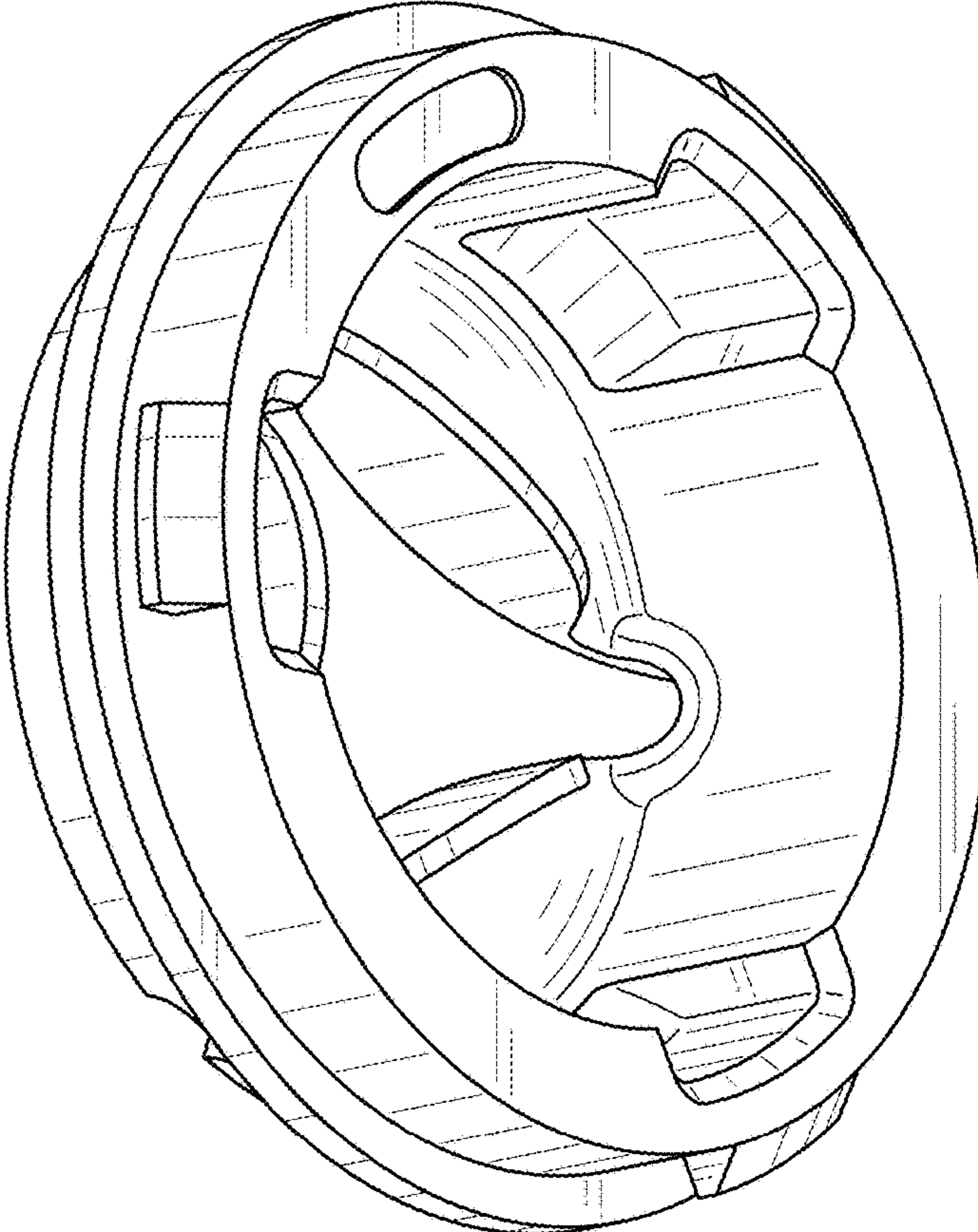


FIG. 2

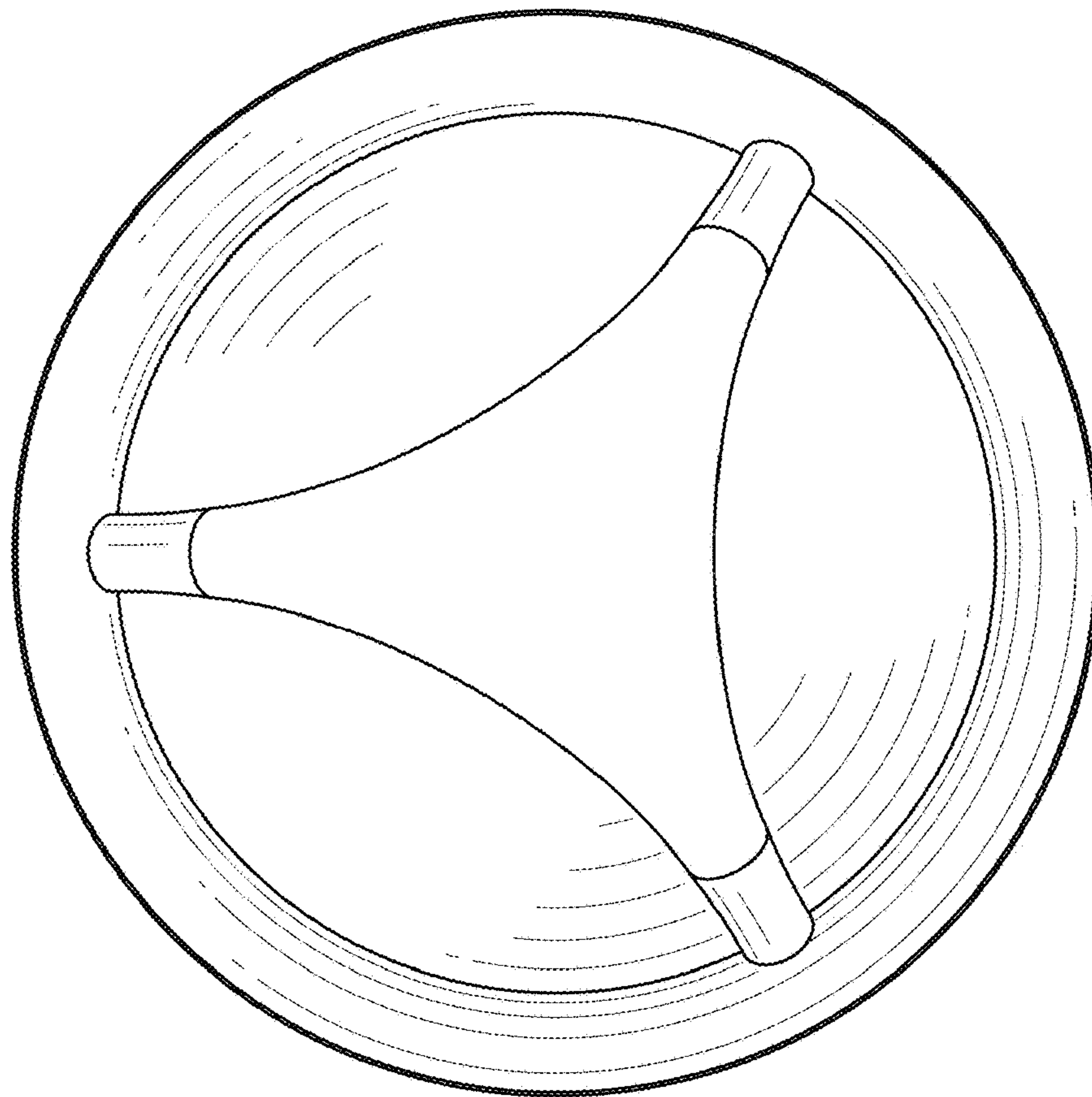


FIG. 3

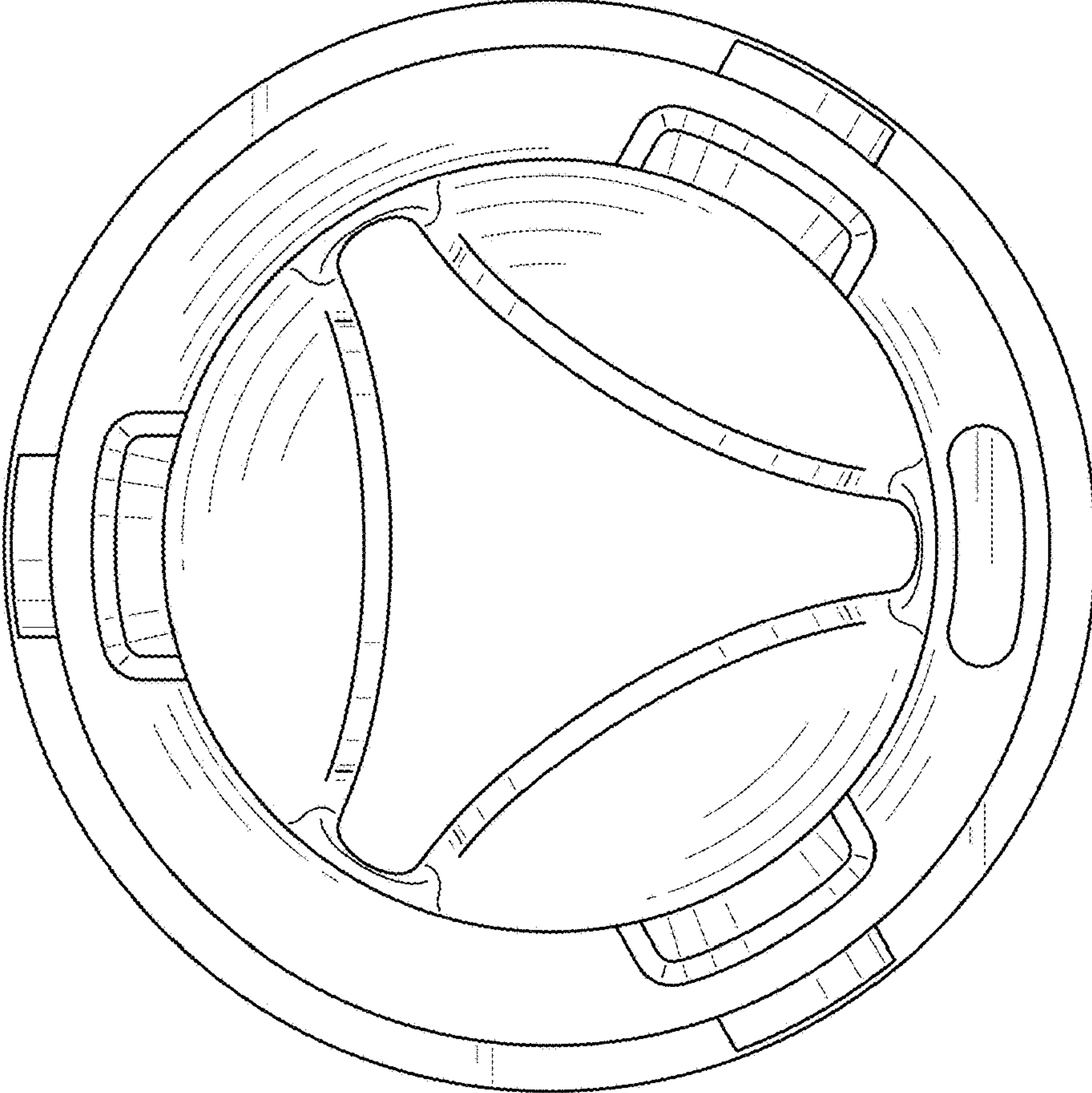


FIG. 4

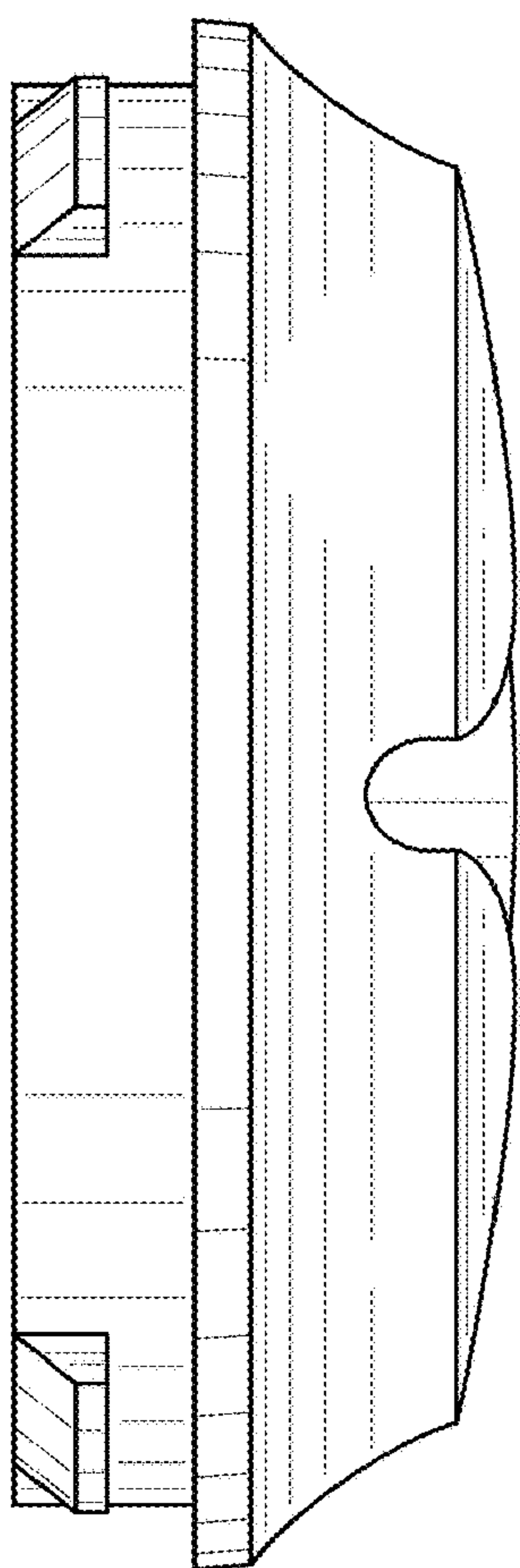


FIG. 5

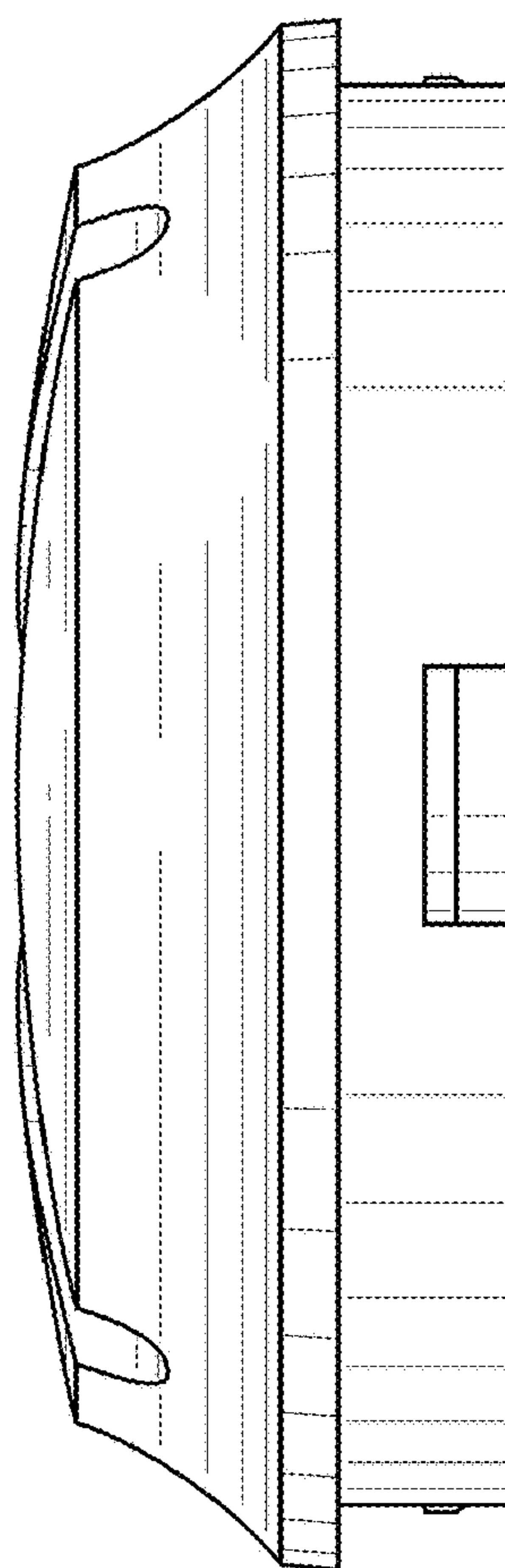


FIG. 6

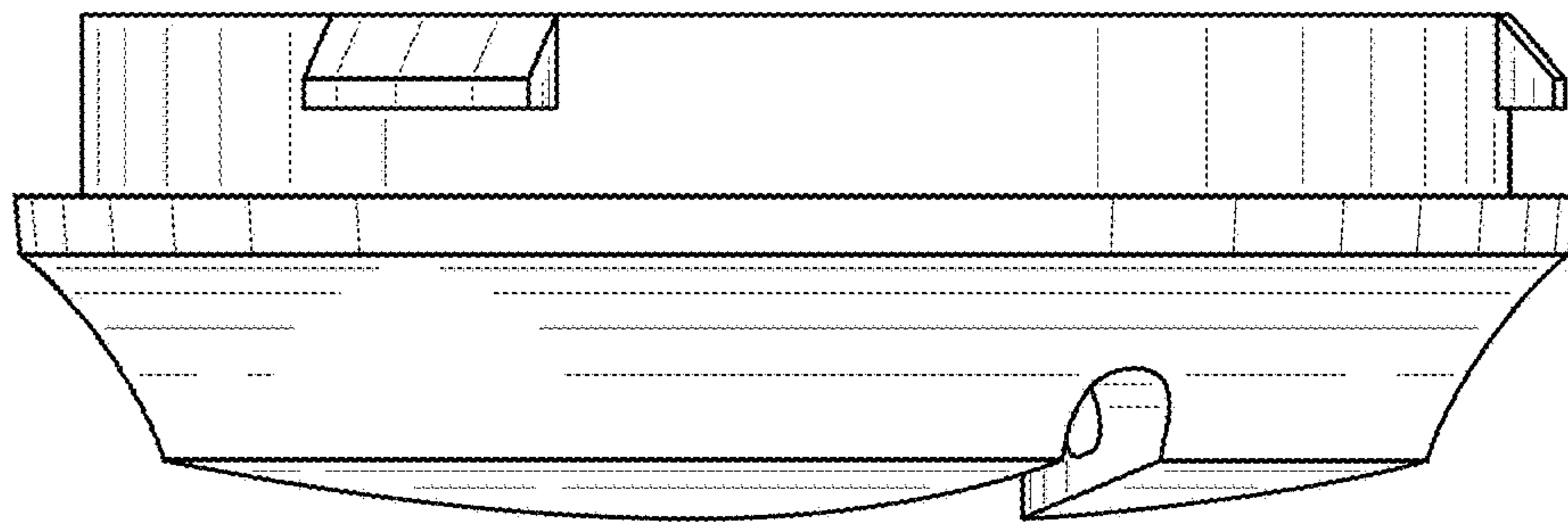


FIG. 7

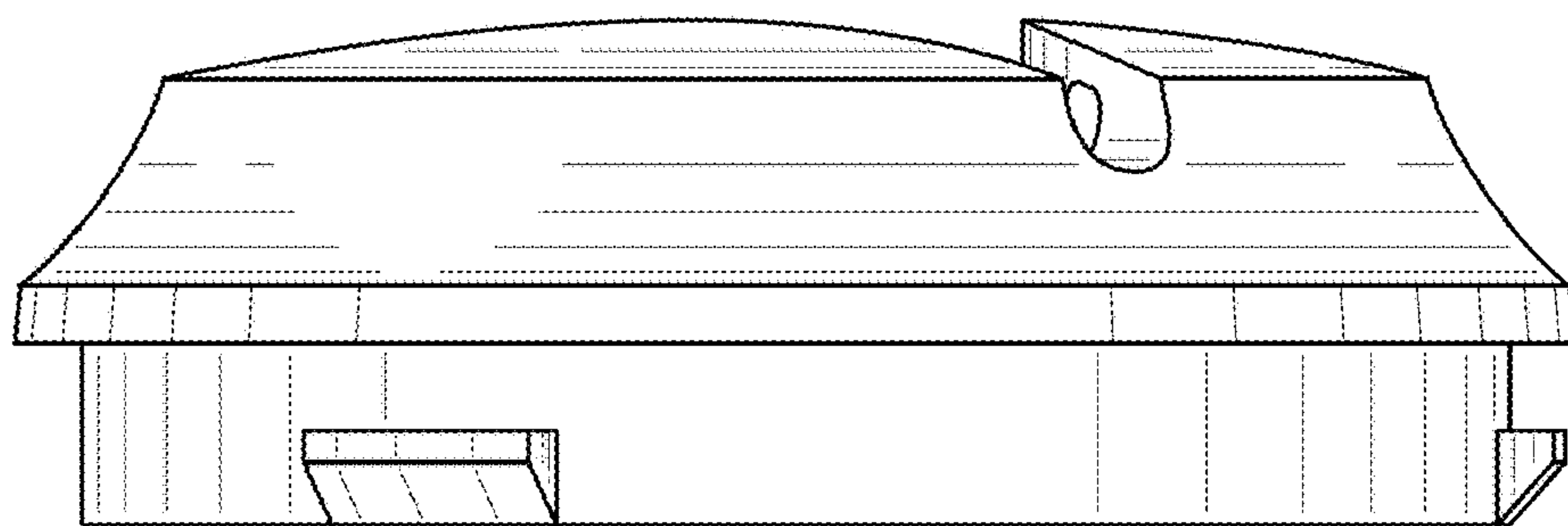


FIG. 8

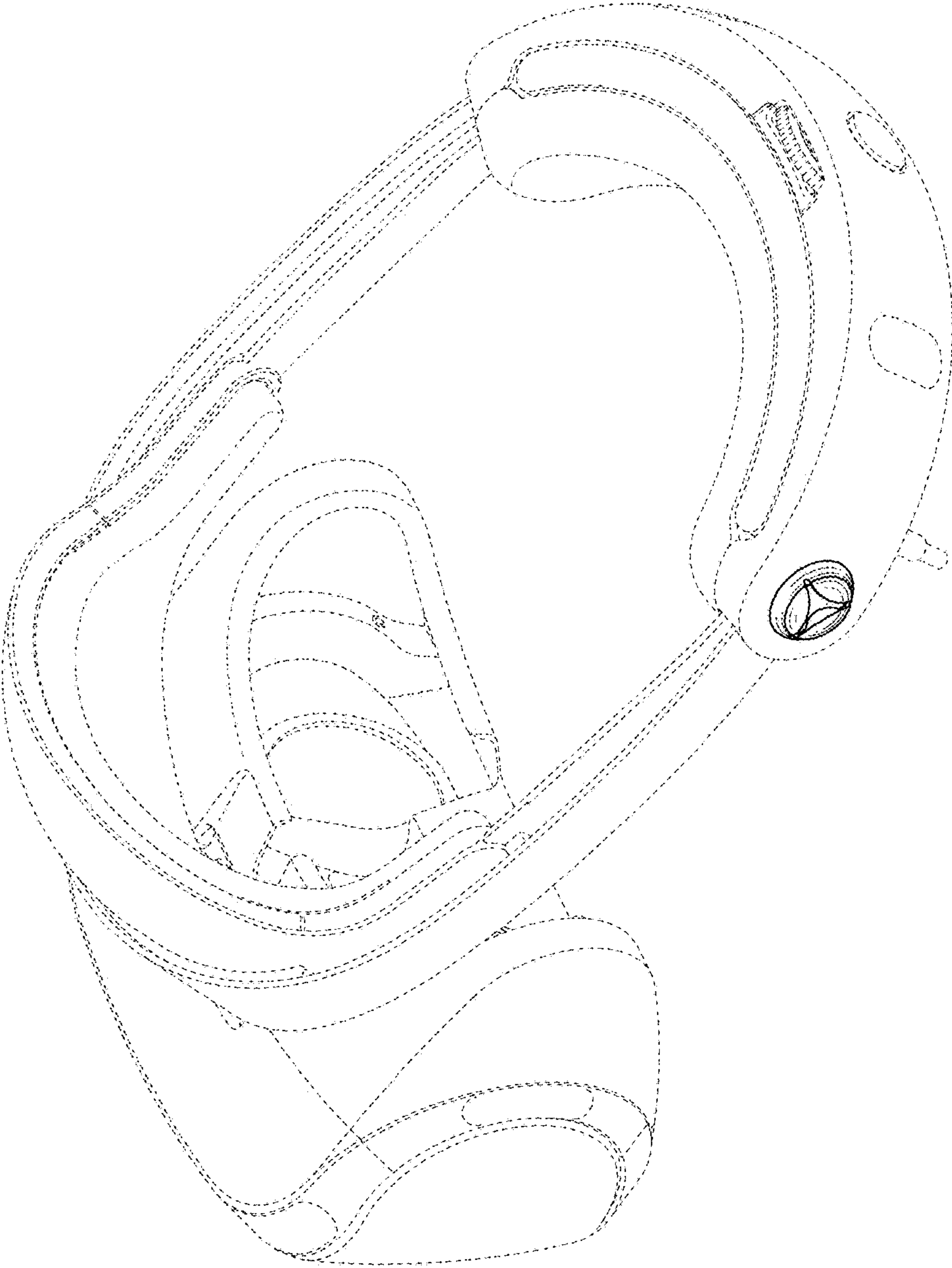


FIG. 9

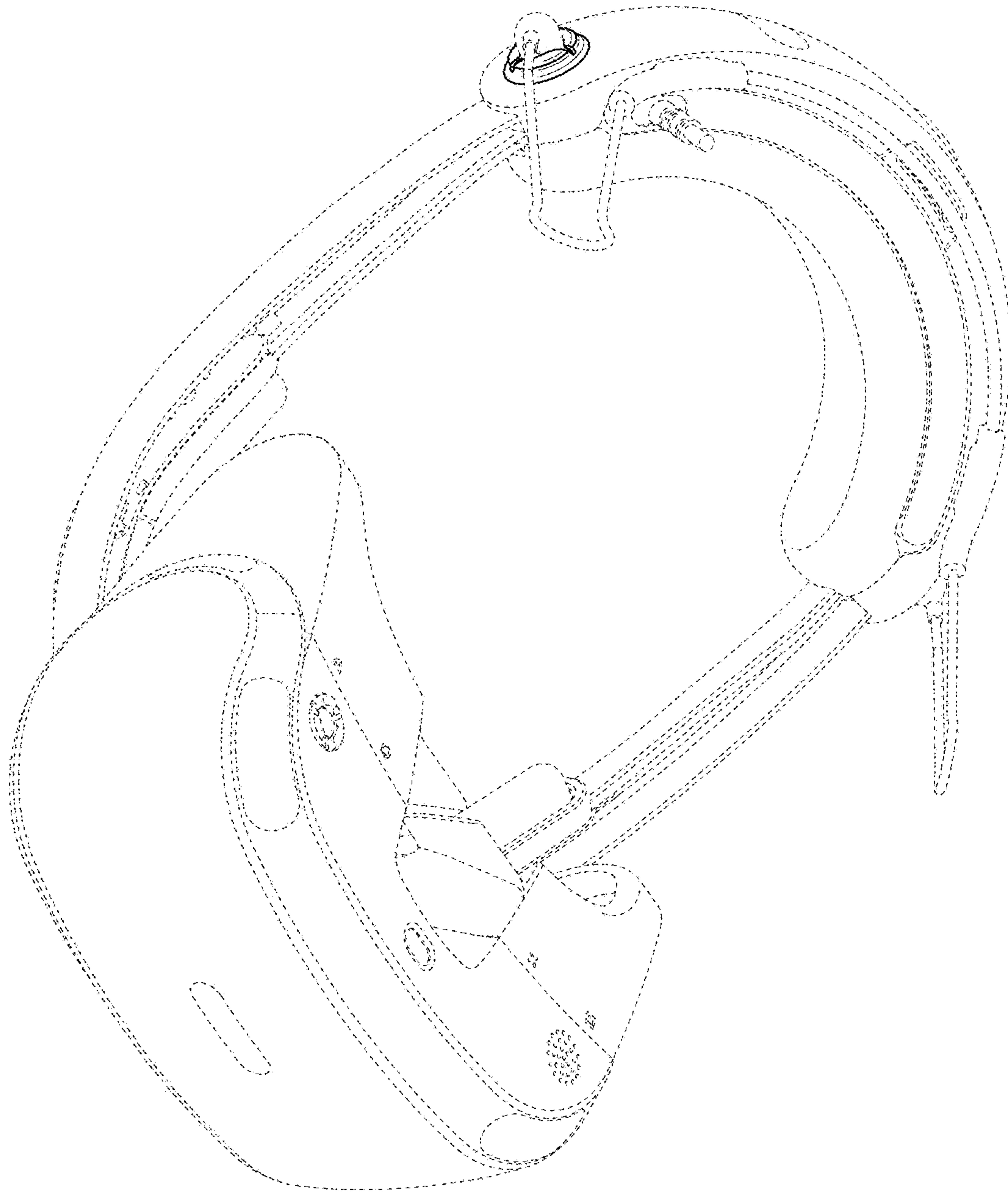


FIG. 10

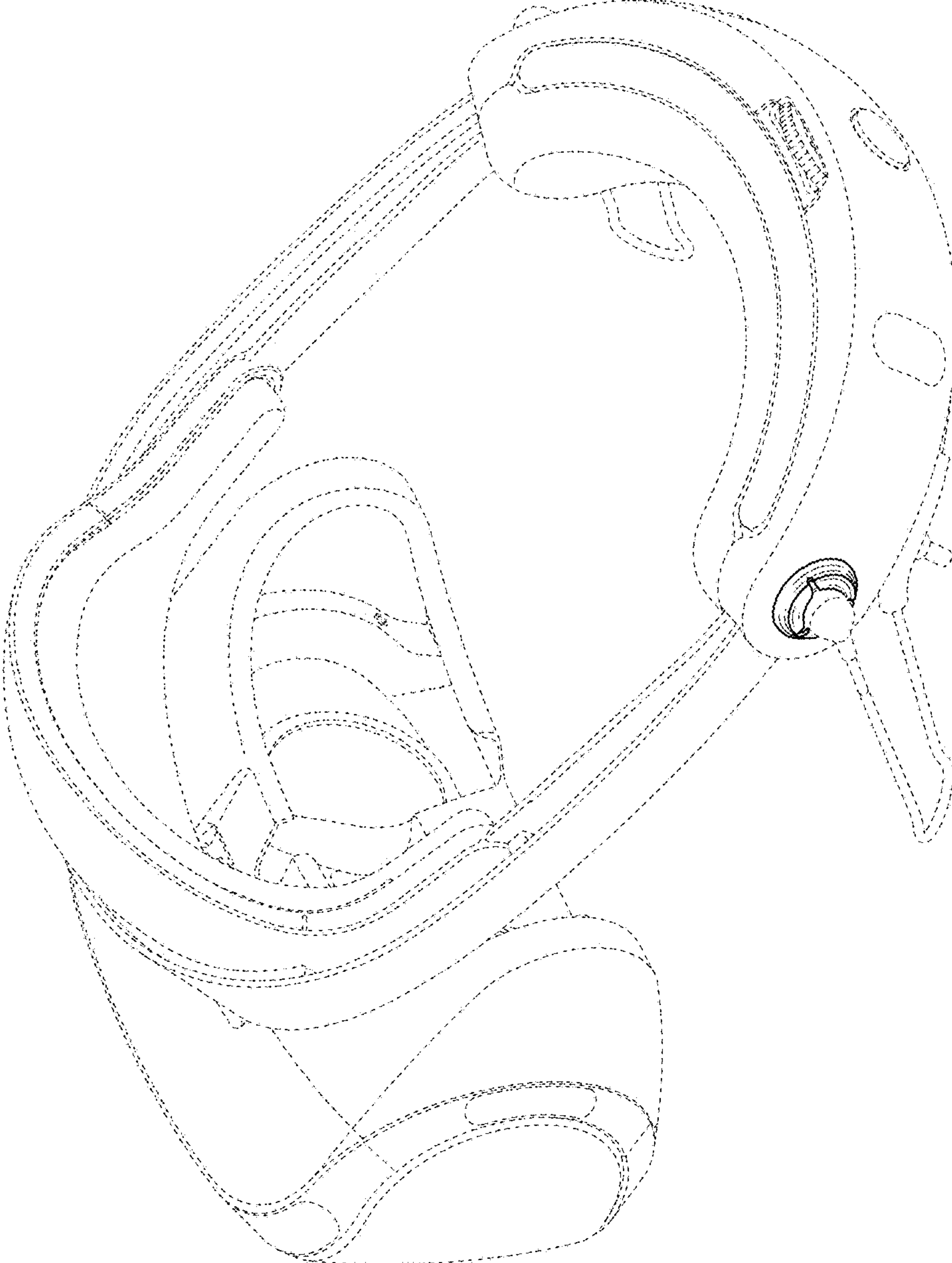


FIG. 11