



US00D860170S

(12) **United States Design Patent**
Ding

(10) **Patent No.:** **US D860,170 S**

(45) **Date of Patent:** **** Sep. 17, 2019**

(54) **THREE-AXIS GYRO-STABILIZED HEAD**

(71) Applicant: **Gudsen Technology Co., Ltd,**
Shenzhen, Guangdong (CN)

(72) Inventor: **Junwen Ding,** Guangdong (CN)

(73) Assignee: **Gudsen Technology Co., Ltd,**
Shenzhen (CN)

(**) Term: **15 Years**

(21) Appl. No.: **29/650,144**

(22) Filed: **Jun. 5, 2018**

(30) **Foreign Application Priority Data**

Feb. 8, 2018 (CN) 2018 3 0061936

(51) **LOC (12) Cl.** **14-01**

(52) **U.S. Cl.**
USPC **D14/217; D16/206**

(58) **Field of Classification Search**

USPC D12/223, 415; D14/140, 142, 148, 149,
D14/217, 238.1, 252, 432, 434, 439, 440,
D14/451-453, 458, 460; D16/206, 208,
D16/209, 218, 219, 237

CPC F16M 11/04; F16M 13/00; G03B 15/00;
G03B 15/03; G03B 17/02; G03B 17/04;
G03B 17/56; G03B 19/04; H04N 5/2251;
H04N 5/2252; H04N 5/2253; H04N
5/2254; H04N 2101/00

See application file for complete search history.

(56) **References Cited**

U.S. PATENT DOCUMENTS

D719,202 S * 12/2014 Lee D16/202
D742,446 S * 11/2015 Ikeda D16/202
D780,825 S * 3/2017 Kim D10/103

D794,606 S * 8/2017 Zheng D14/217
D796,482 S * 9/2017 Zheng D14/217
D799,447 S * 10/2017 Zheng D14/217
D799,448 S * 10/2017 Zheng D14/217
D810,171 S * 2/2018 Kim D16/206
D810,806 S * 2/2018 Kim D16/206
D814,545 S * 4/2018 Kim D16/206
D815,180 S * 4/2018 Kim D16/206
D819,117 S * 5/2018 Lee D16/242
D824,882 S * 8/2018 Zheng D14/217
D826,310 S * 8/2018 Wang D16/243
D836,699 S * 12/2018 Kim D16/206
2016/0171330 A1 * 6/2016 Mentese G06K 9/3233
348/170
2019/0049060 A1 * 2/2019 Ma F16M 11/041

* cited by examiner

Primary Examiner — Garth Rademaker

Assistant Examiner — Fritzgerald L Butac

(57) **CLAIM**

The ornamental design for a three-axis gyro-stabilized head,
as shown and described.

DESCRIPTION

FIG. 1 is a front elevational view of a three-axis gyro-stabilized head showing my new design;
FIG. 2 is a rear elevational view thereof;
FIG. 3 is a left side view thereof;
FIG. 4 is a right side view thereof;
FIG. 5 is a top plan view thereof;
FIG. 6 is a bottom plan view thereof;
FIG. 7 is a top, front and left side perspective view thereof;
FIG. 8 is a top, front and right side perspective view thereof;
FIG. 9 is a top, rear and left side perspective view thereof;
FIG. 10 is a bottom, rear and left side perspective view thereof; and,
FIG. 11 is a top, rear and right side perspective view thereof.

1 Claim, 11 Drawing Sheets

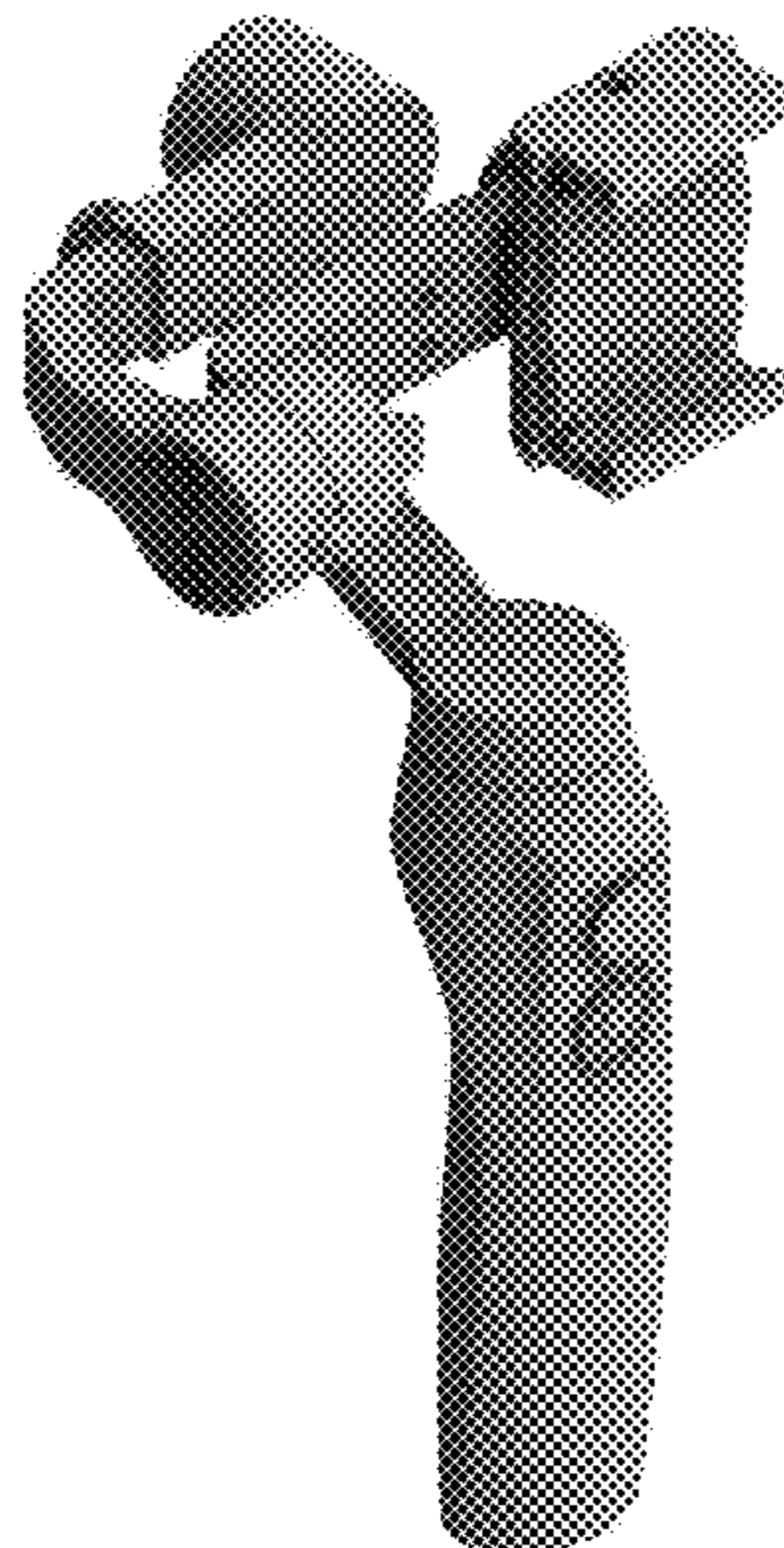




Fig. 1



Fig. 2

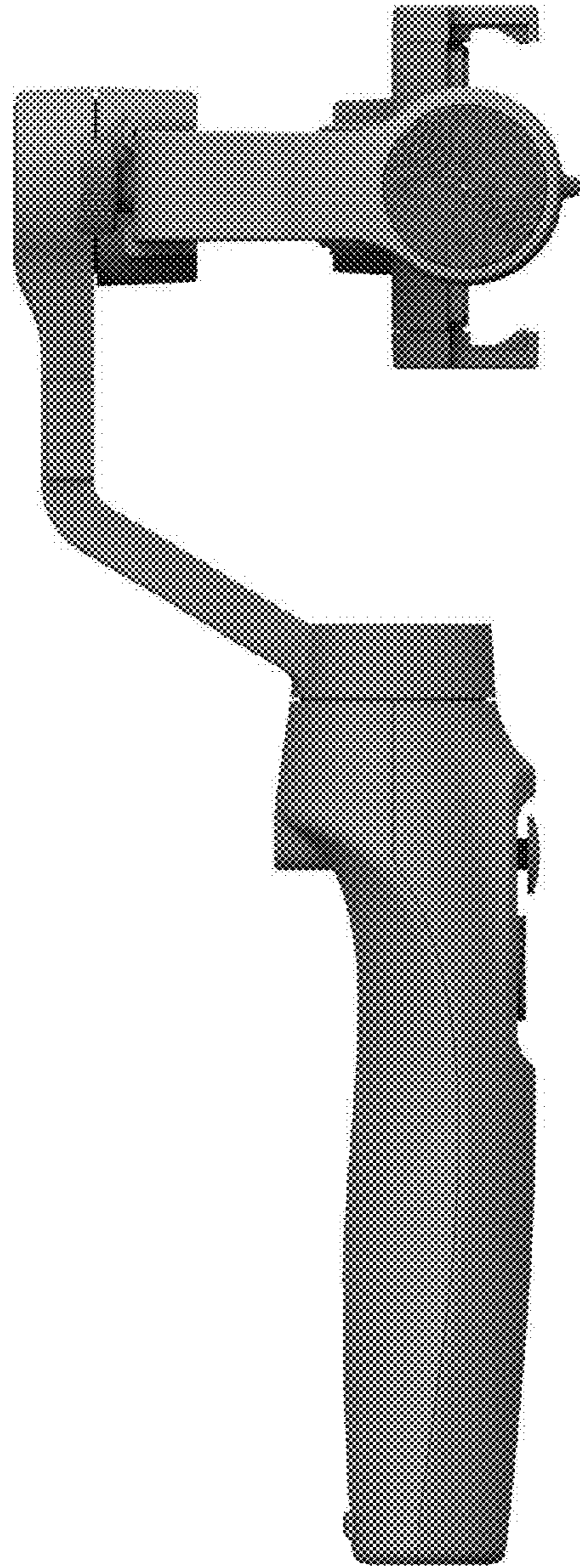


Fig. 3

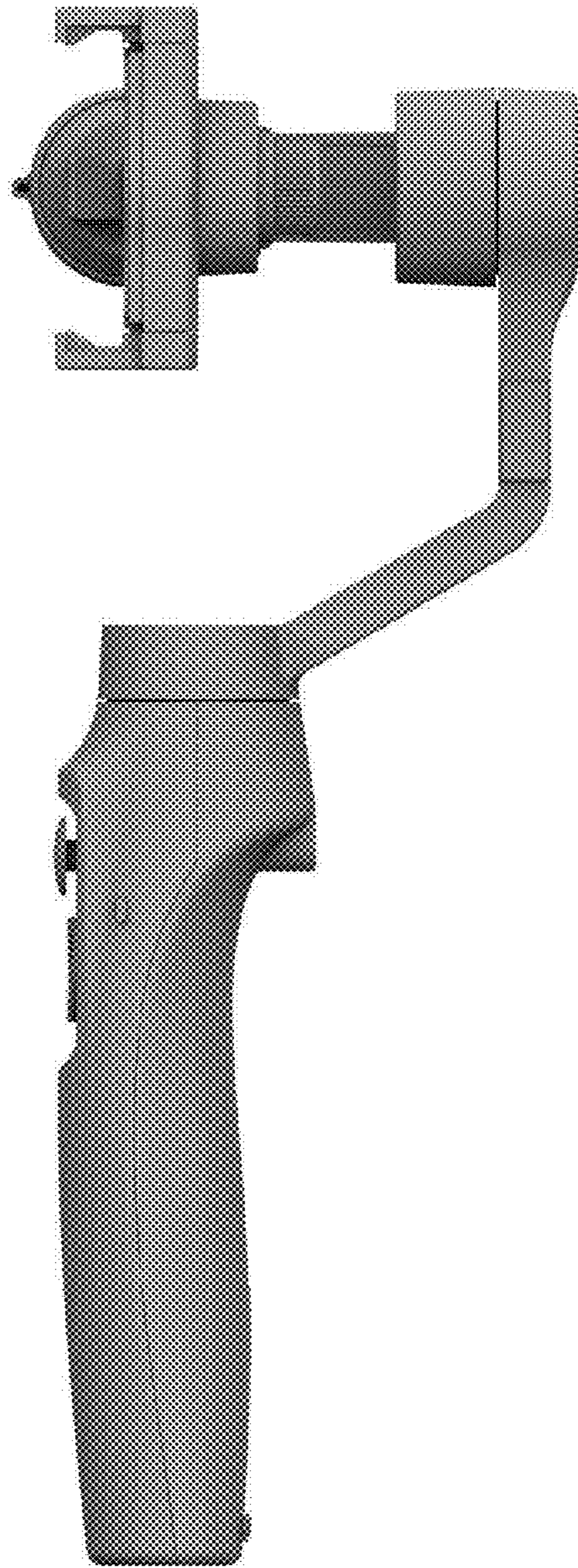


Fig. 4

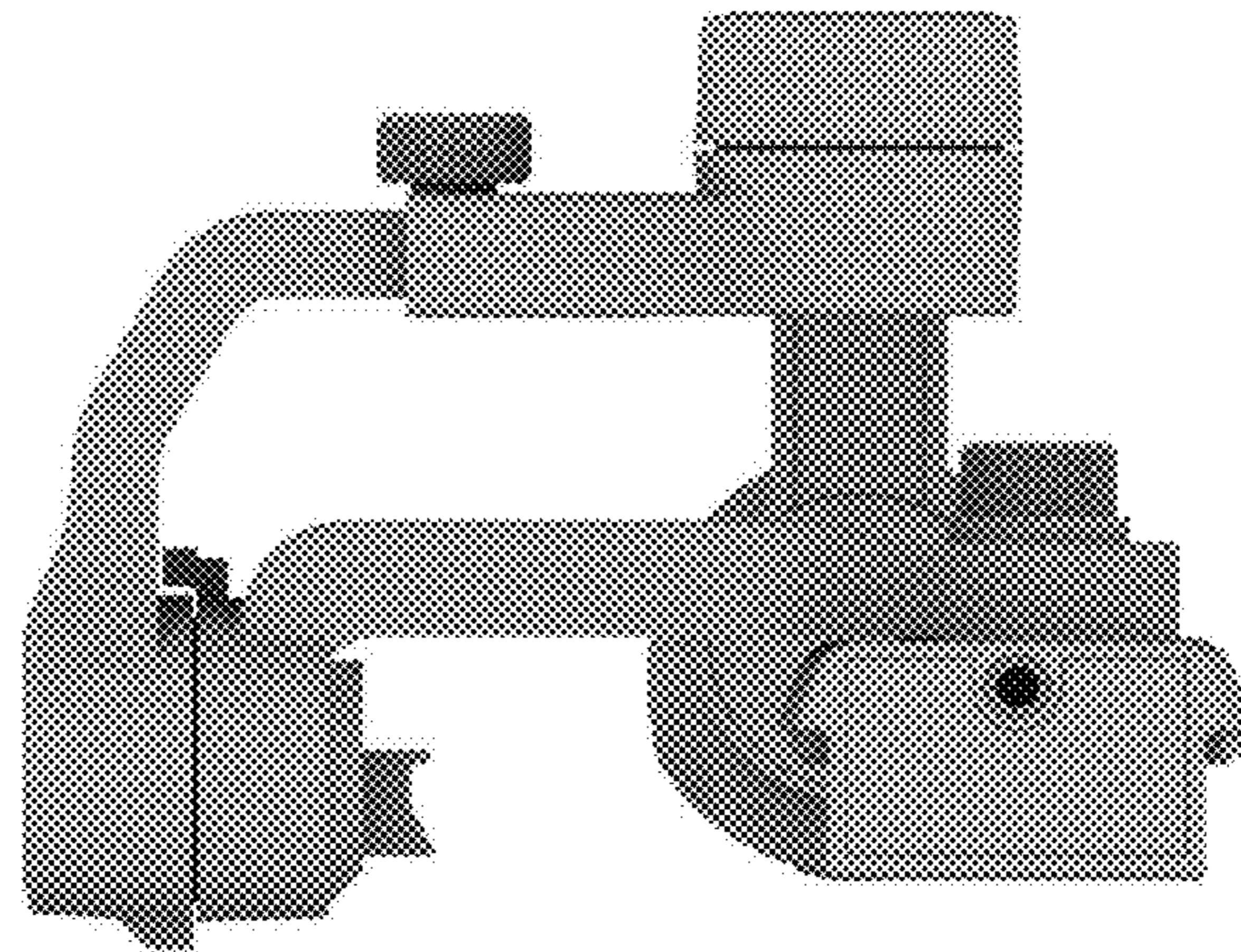


Fig. 5

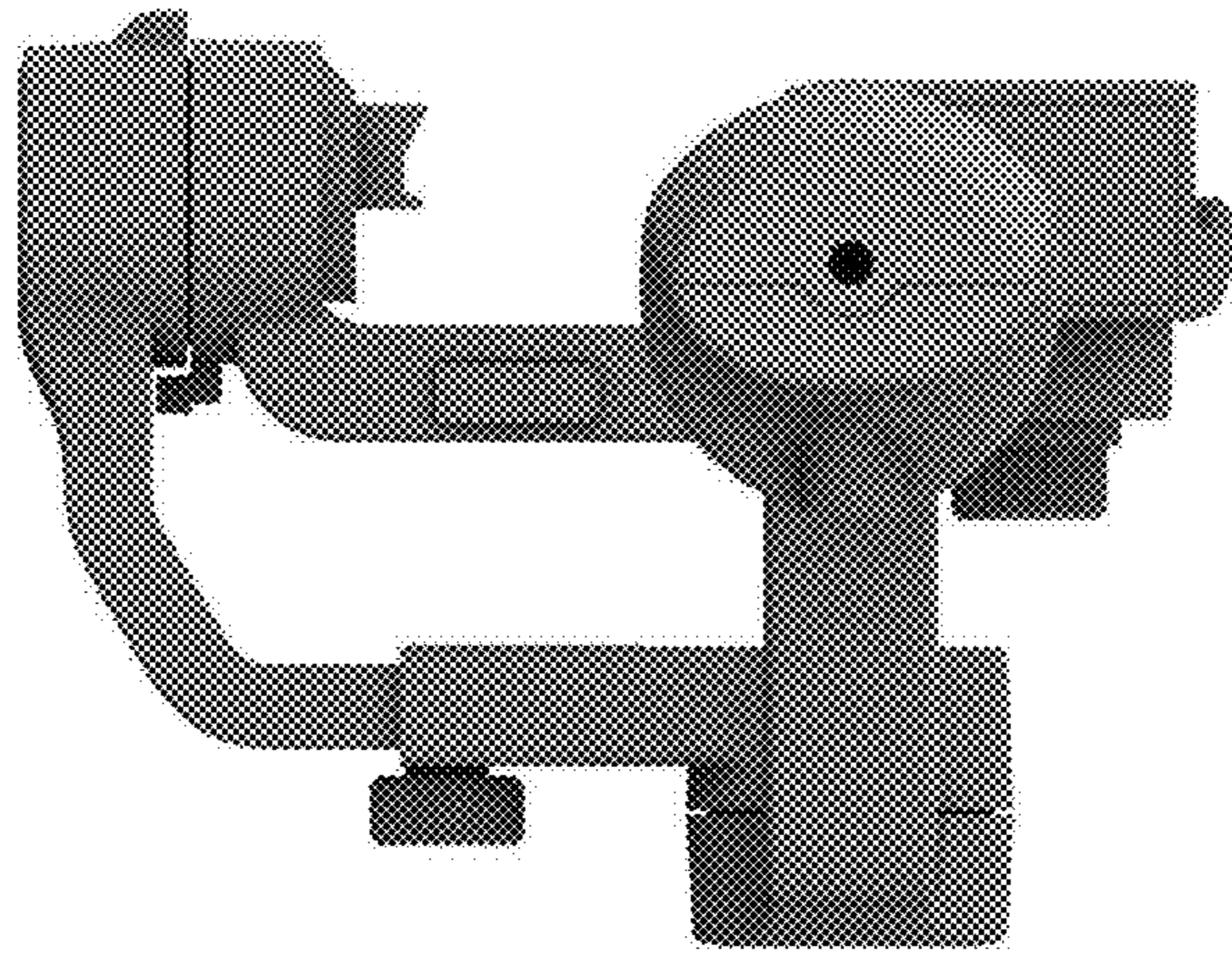


Fig. 6

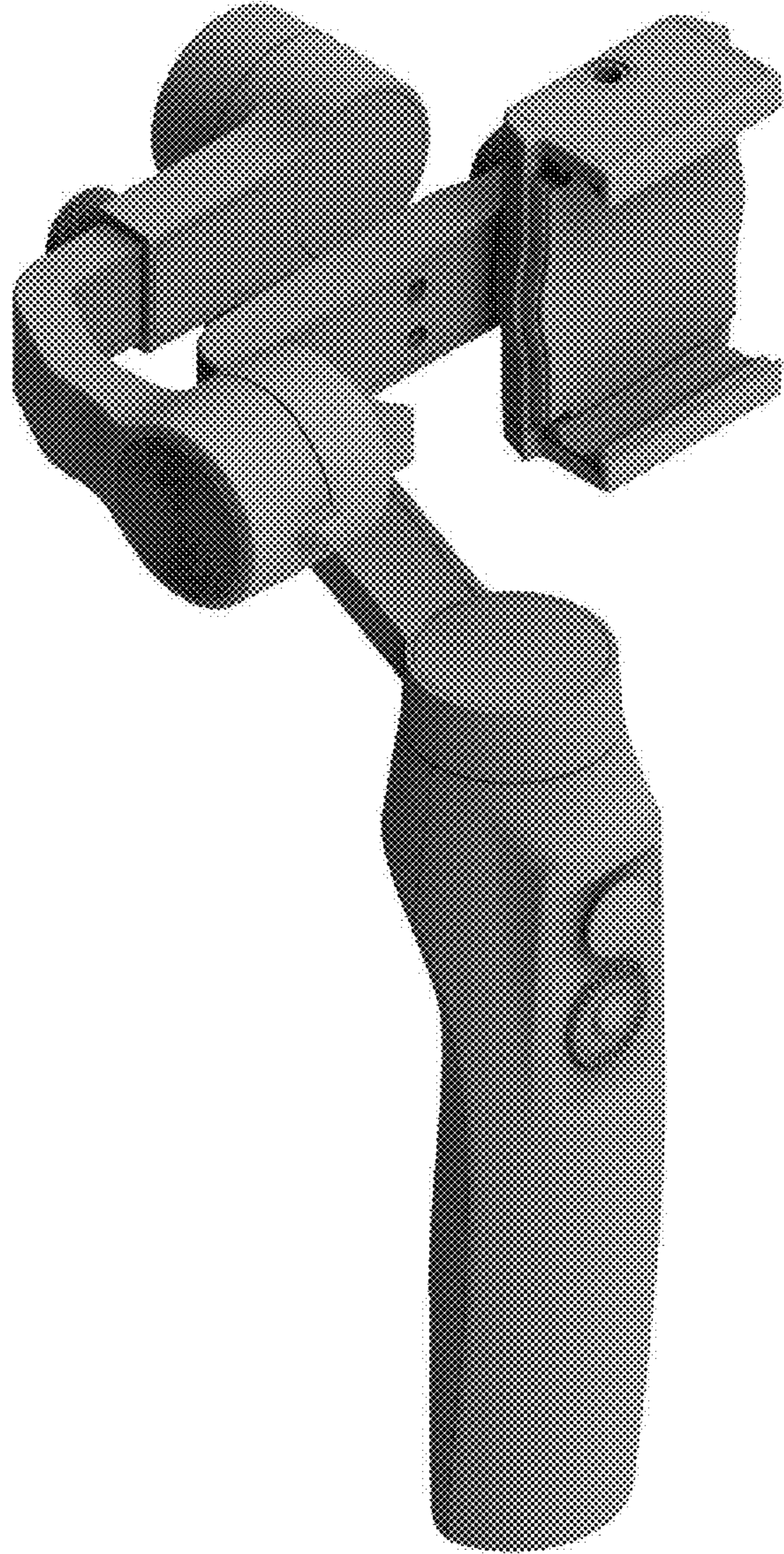


Fig. 7

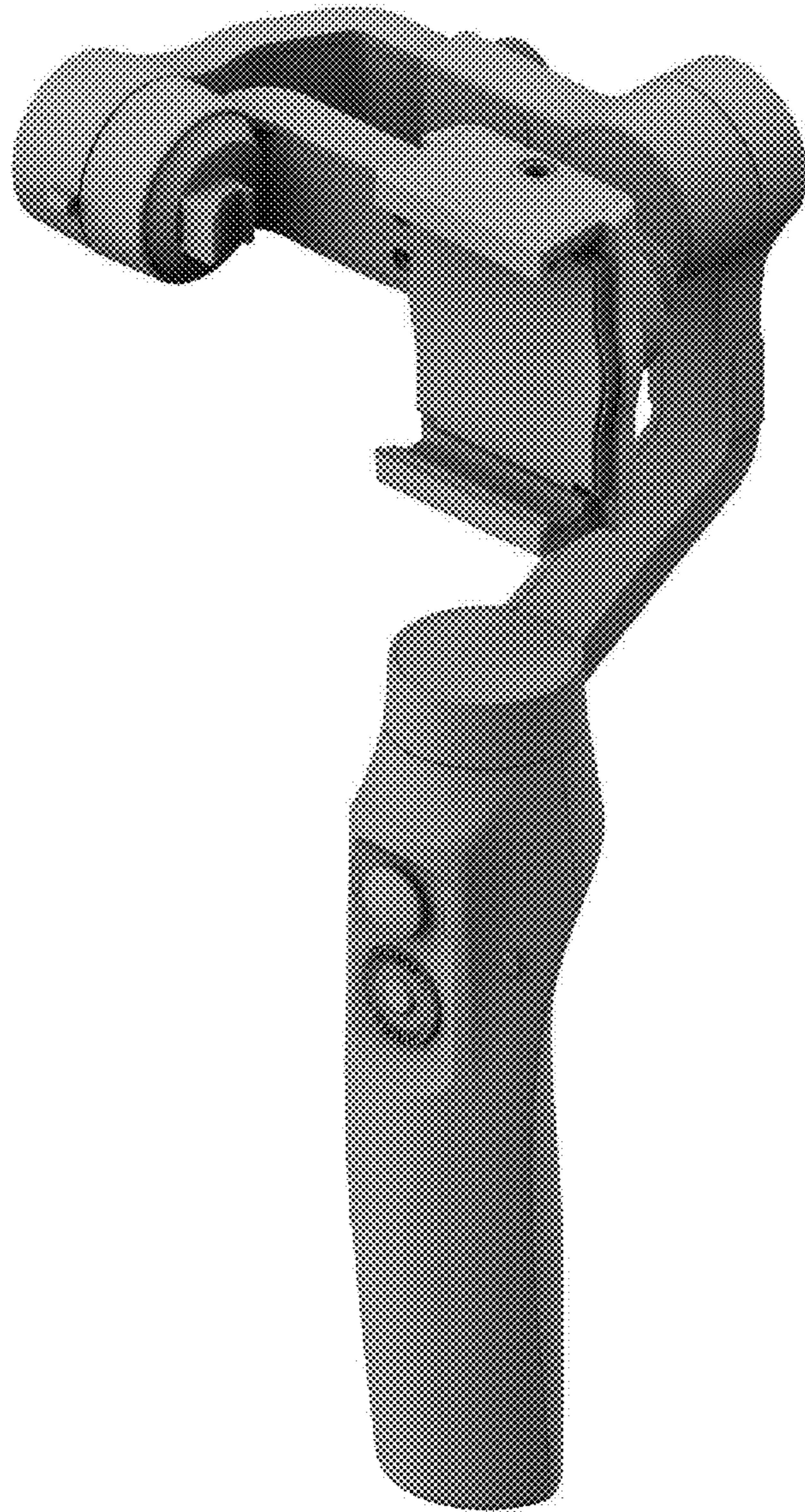


Fig. 8



Fig. 9

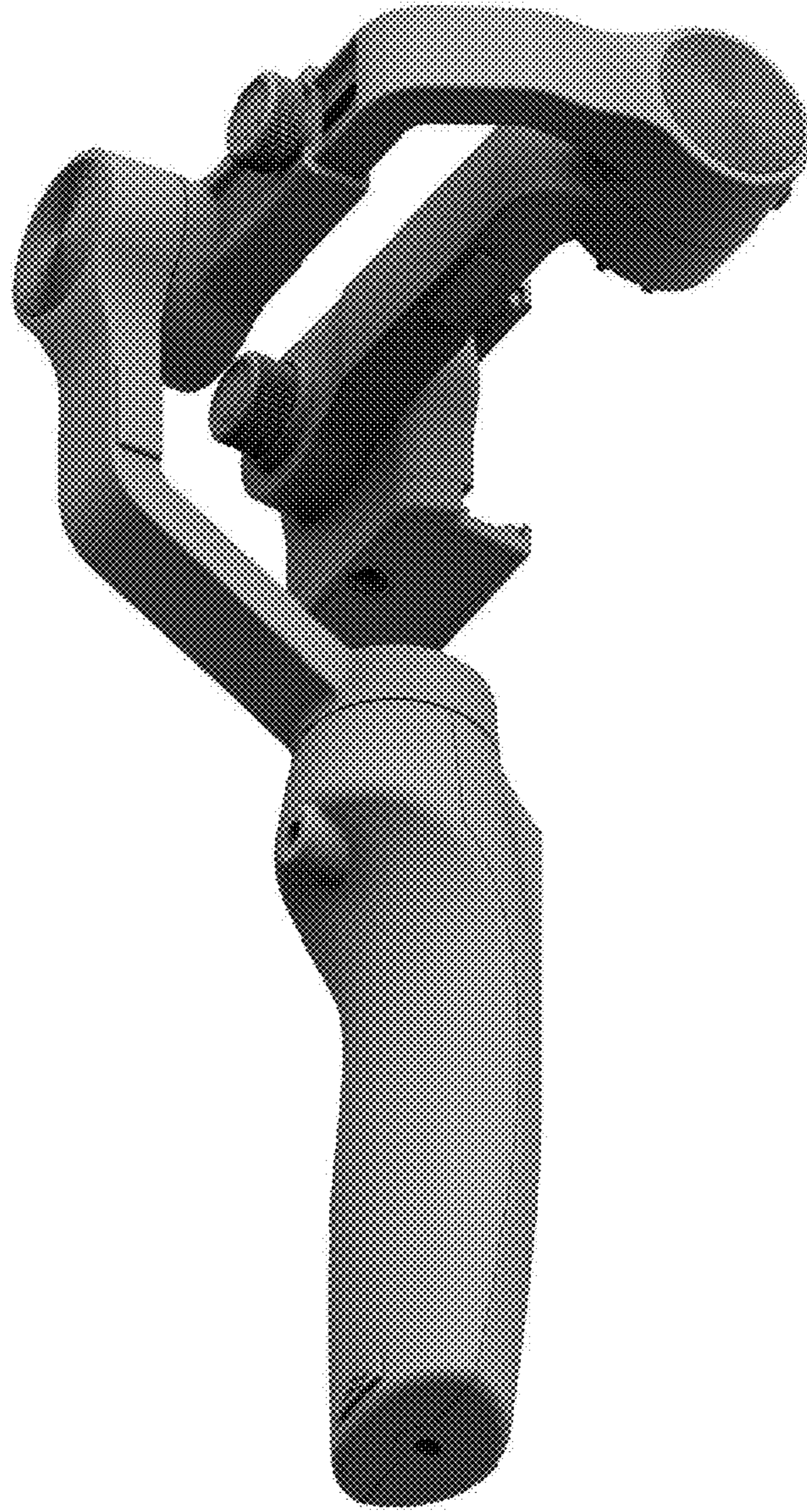


Fig. 10

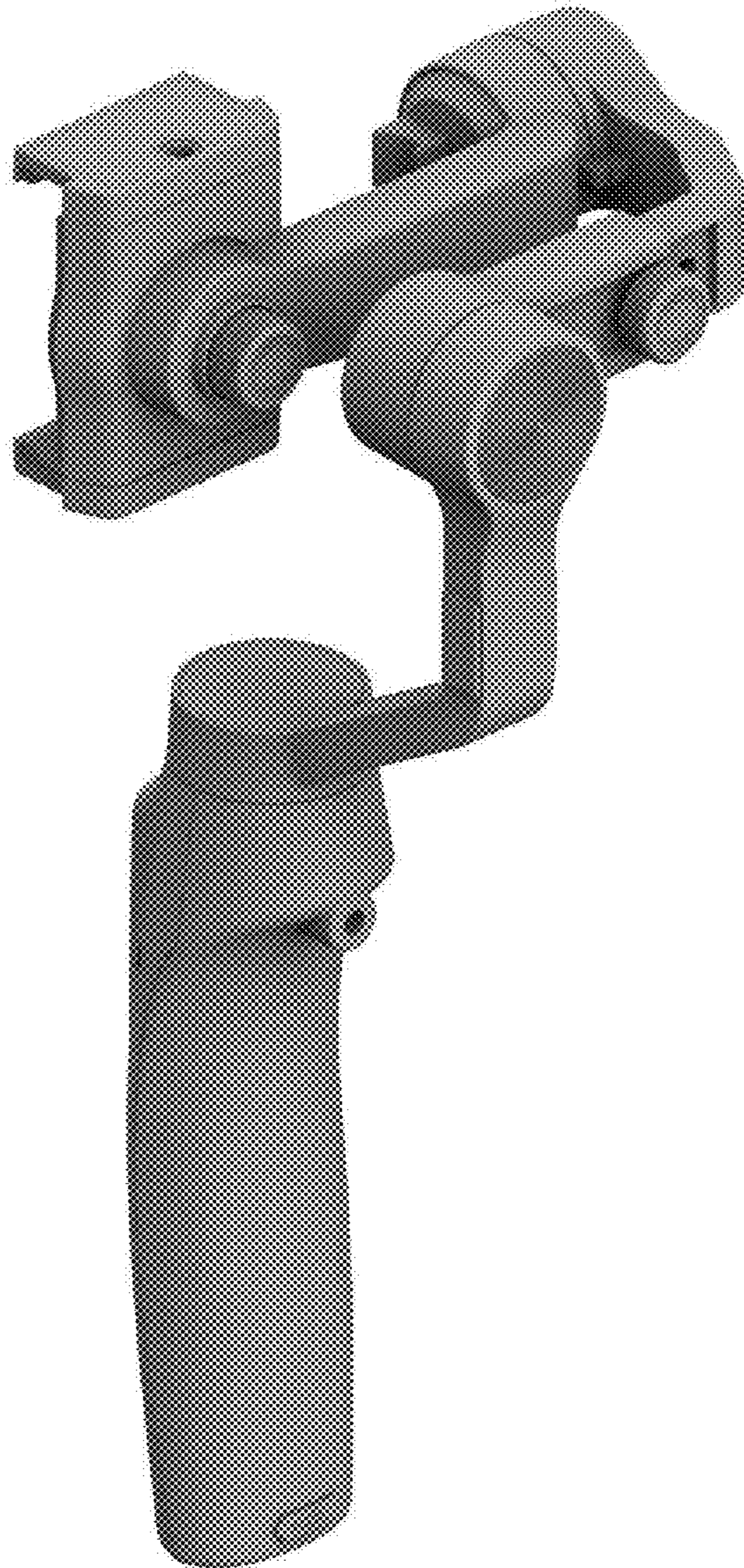


Fig. 11