

US00D860169S

(12) **United States Design Patent**
Zheng et al.

(10) **Patent No.:** **US D860,169 S**

(45) **Date of Patent:** **** Sep. 17, 2019**

(54) **FASTENER FOR BLUETOOTH AUDIO**

(71) Applicant: **Huijun Lin**, Linhai (CN)

(72) Inventors: **Zhiming Zheng**, Linhai (CN); **Huijun Lin**, Linhai (CN)

(**) Term: **15 Years**

(21) Appl. No.: **29/634,796**

(22) Filed: **Jan. 24, 2018**

(51) **LOC (12) Cl.** **14-03**

(52) **U.S. Cl.**
USPC **D14/217**

(58) **Field of Classification Search**
USPC D14/217, 116, 420, 426-430, 453, 346,
D14/341, 347, 412, 498, 507, 371, 137,
D14/191, 344, 356-359; D13/107, 184
CPC G02B 21/361; G02B 13/0015; G02B
21/002; G02B 21/0032; G02B 21/0036;
G02B 21/0052; G02B 21/006; G02B
21/245; G02B 21/26; G02B 21/367;
G02B 23/04; G02B 26/10; G02B
27/0911; G02B 27/0966; G02B 27/281;
G02B 5/20; G02B 5/30; G02B 7/02
See application file for complete search history.

(56) **References Cited**

U.S. PATENT DOCUMENTS

D598,910 S * 8/2009 Bradford D14/217
D618,671 S * 6/2010 Hou D14/217

D798,269 S * 9/2017 Iijima D14/217
D798,270 S * 9/2017 Iijima D14/217
D838,274 S * 1/2019 Mittleman D14/433
D840,377 S * 2/2019 Jin D14/217
D849,006 S * 5/2019 Pang D14/433

* cited by examiner

Primary Examiner — Khawaja Anwar

(74) *Attorney, Agent, or Firm* — Wayne & Ken, LLC;
Tony Hom

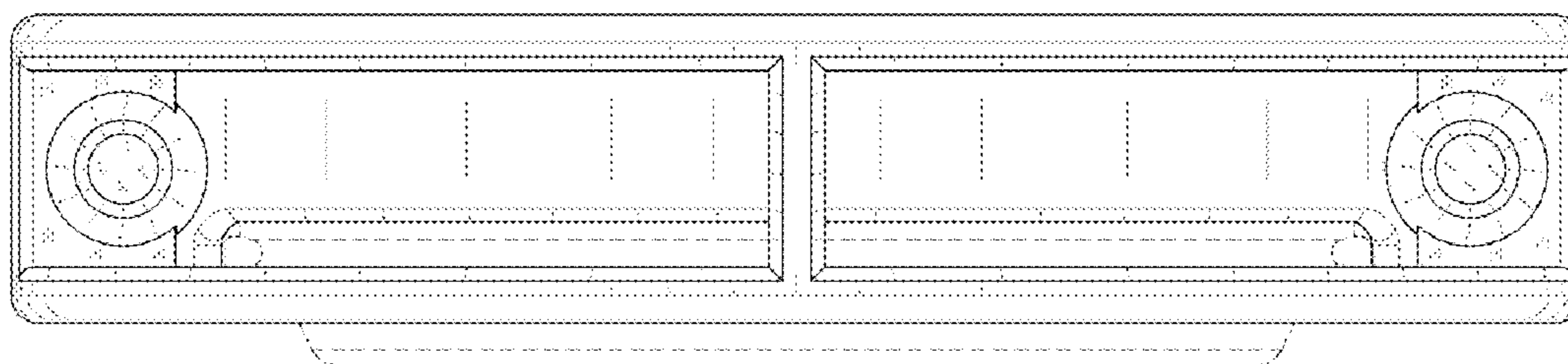
(57) **CLAIM**

A new, original, ornamental design for a fastener for bluetooth audio, as shown and described.

DESCRIPTION

FIG. 1 is a front view of a fastener for bluetooth audio showing my new design;
FIG. 2 is a back view thereof;
FIG. 3 is a right view thereof;
FIG. 4 is a left view thereof;
FIG. 5 is a top view thereof;
FIG. 6 is a bottom view thereof; and,
FIG. 7 is a perspective view thereof.
The broken lines in the drawing depict environmental subject matter only and form no part of the claimed design.

1 Claim, 7 Drawing Sheets



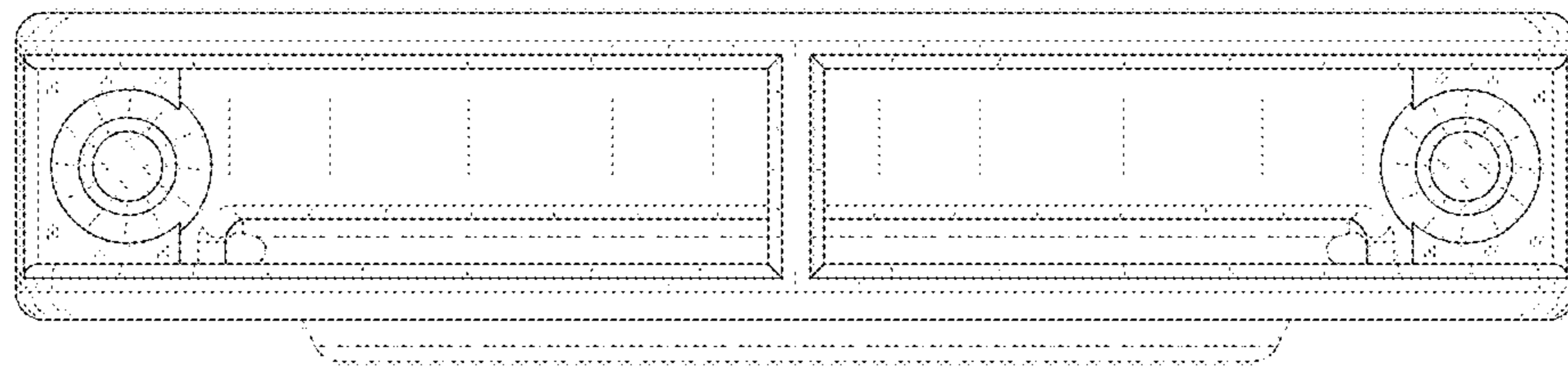


FIG. 1

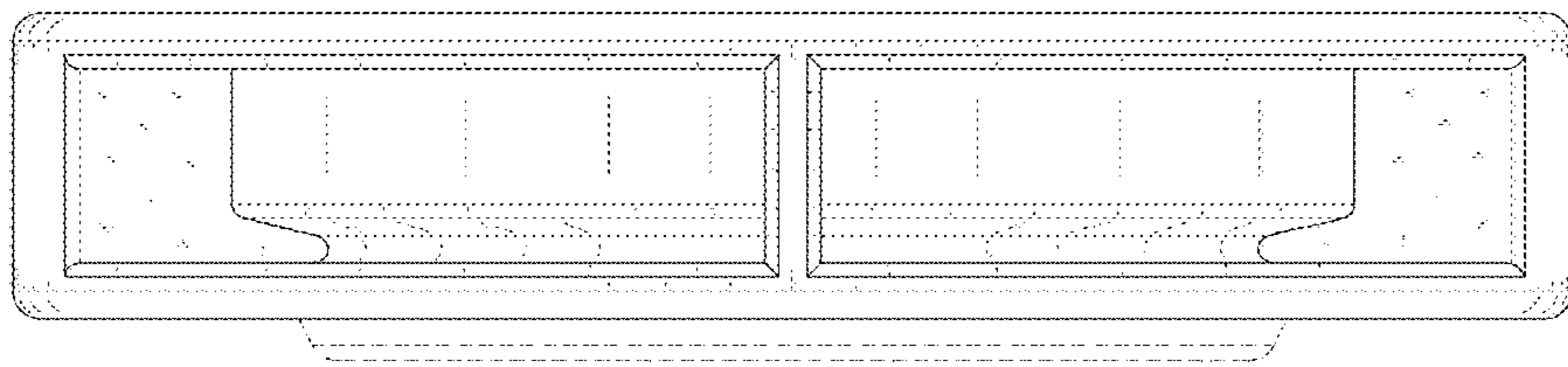


FIG. 2

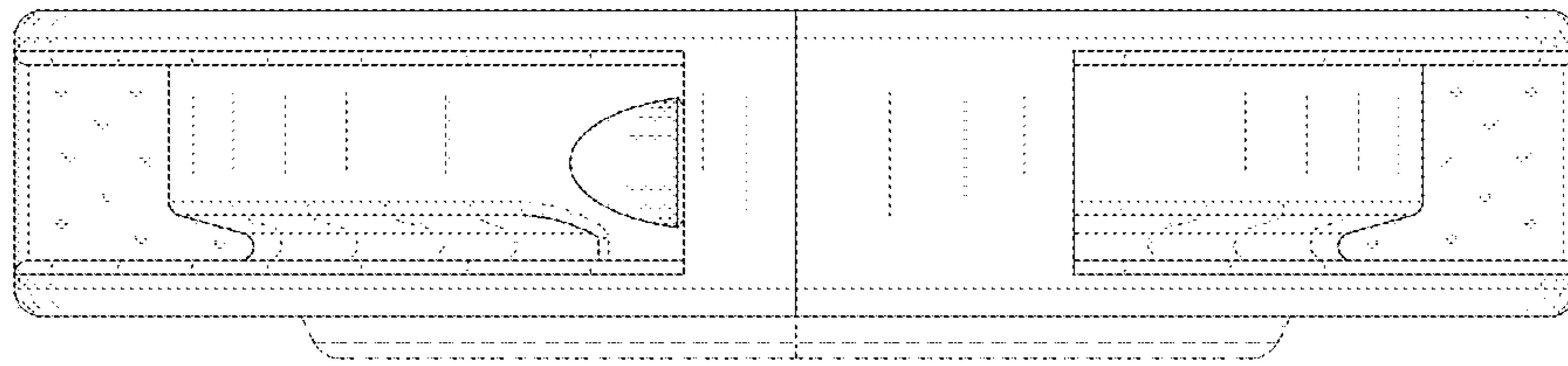


FIG. 3

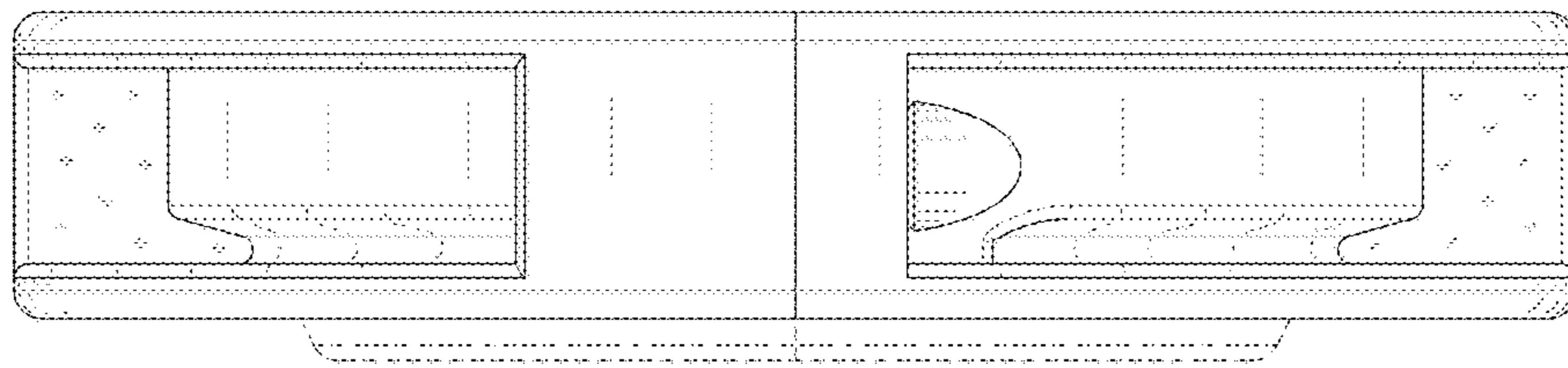


FIG. 4

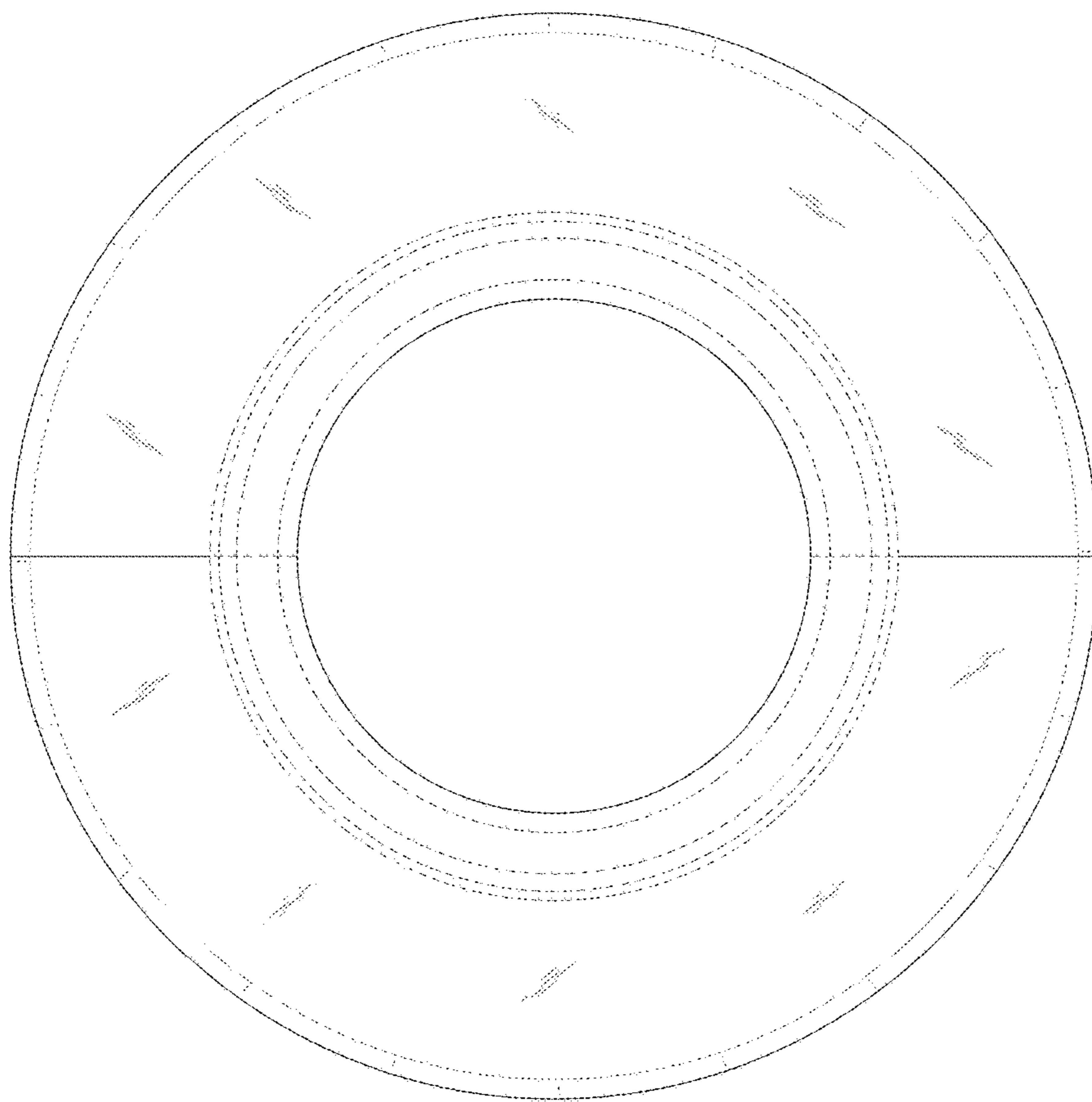


FIG. 5

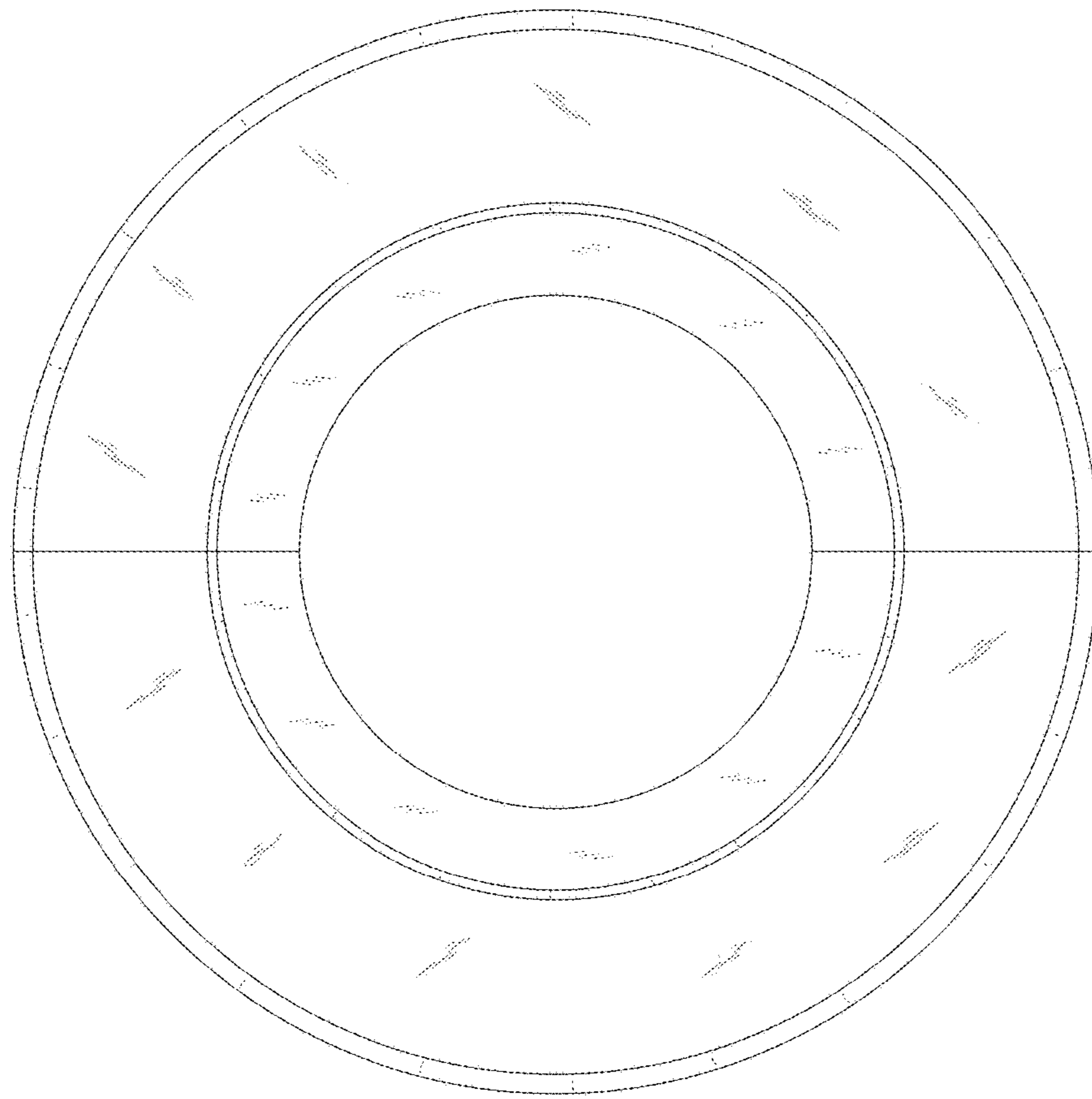


FIG. 6

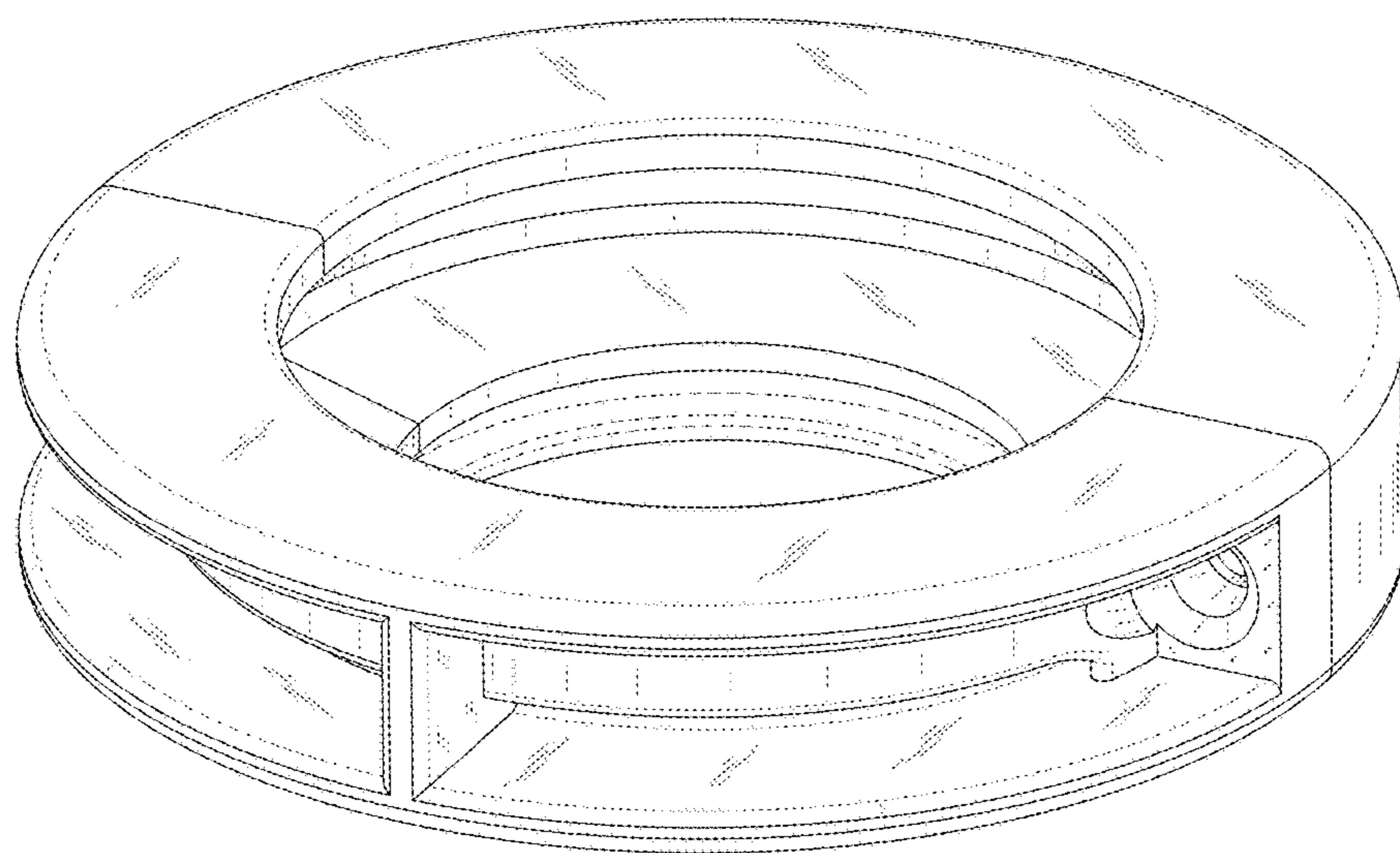


FIG. 7