



US00D860166S

(12) **United States Design Patent**
Young

(10) **Patent No.:** **US D860,166 S**
(45) **Date of Patent:** **** Sep. 17, 2019**

- (54) **HEAD-MOUNTED WIRELESS COMMUNICATION DEVICE**
- (71) Applicant: **DisplayLink (UK) Limited**, Cambridge (GB)
- (72) Inventor: **Jason Warren Alfred Young**, Cambridge (GB)
- (73) Assignee: **DisplayLink (UK) Limited**, Cambridge (GB)
- (**) Term: **15 Years**
- (21) Appl. No.: **29/634,809**
- (22) Filed: **Jan. 25, 2018**
- (30) **Foreign Application Priority Data**

Oct. 30, 2017 (EM) 004426732

- (51) **LOC (12) Cl.** **14-01**
- (52) **U.S. Cl.**
USPC **D14/206; D14/192; D14/217**
- (58) **Field of Classification Search**
USPC D14/205, 188, 191, 192, 230, 240, 242, D14/433, 436, 206, 217, 137, 225, 226; D21/791; 181/129, 130, 135; 379/430, 379/431; 381/380, 381, 370, 374; 455/90.3, 575.1, 569.1; D13/184
CPC H04R 25/00; H04R 1/1066; H04R 1/1016; H04R 5/033; H04R 5/0335; H04R 1/10
See application file for complete search history.

(56) **References Cited**
U.S. PATENT DOCUMENTS

- 2,419,480 A * 4/1947 Bryan H01Q 7/04 174/390
- 3,134,861 A * 5/1964 Dempsey H04R 1/105 381/151

- 3,249,873 A * 5/1966 Whittemore, Jr. A42B 3/30 181/137
- 3,370,236 A * 2/1968 Walker H04B 1/385 224/674
- D212,189 S * 9/1968 Dietrich D14/165
- D244,867 S * 6/1977 Huntington D14/192
- 4,083,481 A * 4/1978 Selinko A45F 5/02 224/269
- D255,446 S * 6/1980 Iwata D14/192
- D264,080 S * 4/1982 Iwata D14/191
- D275,752 S * 10/1984 Mahan D14/240
- 4,682,363 A * 7/1987 Goldfarb H04B 1/44 381/189
- 4,728,962 A * 3/1988 Kitsuda H01Q 1/38 343/700 MS
- 4,828,153 A * 5/1989 Guzik A45F 5/02 224/242
- 4,833,726 A * 5/1989 Shinoda A42B 3/30 381/376
- 4,956,895 A * 9/1990 Hayasaka A44B 99/00 224/667

(Continued)

Primary Examiner — Paula Allen Greene

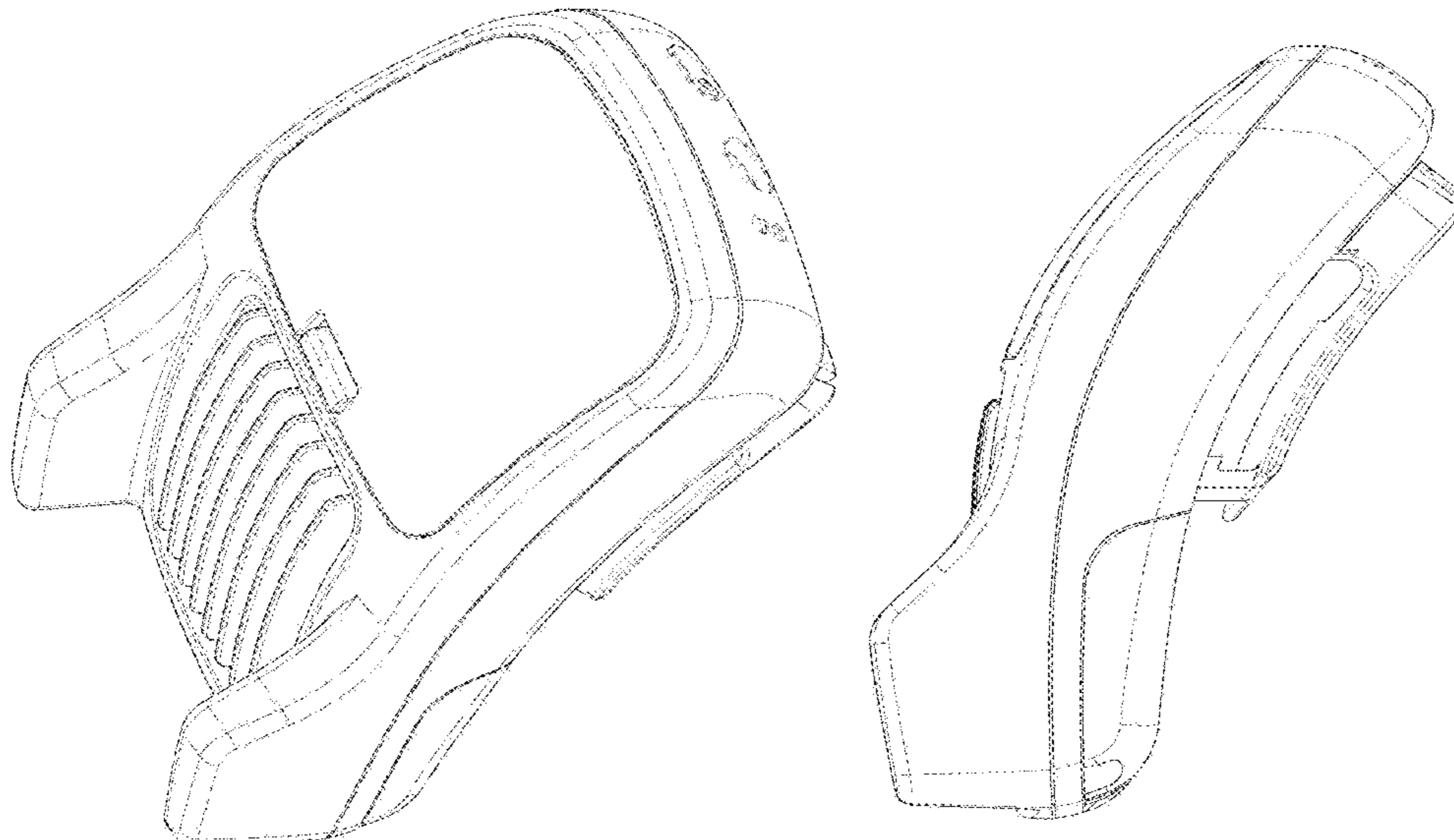
(57) **CLAIM**

The ornamental design for head mounted wireless communication device, as shown and described.

DESCRIPTION

FIG. 1 is a perspective view of a head-mounted wireless communication device, showing my new design; FIG. 2 is a first side view thereof; FIG. 3 is a second side view thereof; FIG. 4 is a front view thereof; FIG. 5 is a rear view thereof; FIG. 6 is a top view thereof; FIG. 7 is a bottom view thereof; and, FIG. 8 is a further perspective view thereof. The broken lines depict environment that forms no part of the claimed design.

1 Claim, 8 Drawing Sheets



(56)

References Cited

U.S. PATENT DOCUMENTS

5,056,161 A * 10/1991 Breen H04R 1/1066
 2/209
 D324,388 S * 3/1992 Pulio, Jr. D14/210
 5,117,464 A * 5/1992 Jones H04R 1/10
 181/129
 D352,706 S * 11/1994 Hong D14/137
 5,410,746 A * 4/1995 Gelber A42B 1/245
 2/209.13
 5,414,596 A * 5/1995 Eaton H01M 2/1005
 361/814
 5,438,698 A * 8/1995 Burton H01Q 1/276
 2/209.13
 5,600,730 A * 2/1997 Kenning A63B 33/00
 381/300
 5,644,785 A * 7/1997 Garrett H04B 1/086
 150/109
 D387,199 S * 12/1997 Nagele D3/218
 5,764,778 A * 6/1998 Zurek H04R 1/406
 381/312
 5,793,865 A * 8/1998 Leifer H04M 1/05
 379/430
 D400,206 S * 10/1998 Mahgerefteh D14/188
 D429,720 S * 8/2000 Strand D14/230
 6,188,881 B1 * 2/2001 Braxton H04B 1/385
 340/7.55
 D450,666 S * 11/2001 Scribner D13/184
 6,466,677 B1 * 10/2002 Bush H04R 5/0335
 381/300
 D472,555 S * 4/2003 Tomino D13/133
 D478,576 S * 8/2003 Leong D14/223
 D479,224 S * 9/2003 Jeong D14/206
 D480,389 S * 10/2003 Schulz D14/240
 D487,453 S * 3/2004 Ribeiro D14/240

6,829,365 B1 * 12/2004 Kim H04R 1/1058
 381/182
 D530,709 S * 10/2006 Bang D14/240
 7,130,436 B1 * 10/2006 Tabata A42B 3/30
 381/190
 D549,698 S * 8/2007 Jeon D14/240
 D566,710 S * 4/2008 Chun D14/240
 D573,985 S * 7/2008 Jeong D14/240
 7,418,097 B2 * 8/2008 Chang H04M 1/06
 379/446
 D587,682 S * 3/2009 Miles D14/205
 7,735,996 B2 * 6/2010 van der Zwan G02C 11/06
 351/123
 D644,428 S * 9/2011 Feng D3/218
 D649,141 S * 11/2011 Thomas D14/240
 D661,281 S * 6/2012 Mahaffy D14/206
 D664,524 S * 7/2012 Johnson D14/225
 8,209,777 B2 * 7/2012 Porzelt A61B 5/411
 2/209
 D725,627 S * 3/2015 Kalhok D14/205
 D728,391 S * 5/2015 Olivieri D10/65
 D730,315 S * 5/2015 Stevinson D14/205
 D735,419 S * 7/2015 Rose D29/112
 D781,822 S * 3/2017 Morris D14/223
 D789,360 S * 6/2017 Moon D14/240
 D813,207 S * 3/2018 Shultz D14/225
 D819,604 S * 6/2018 Bristol D14/217
 D819,611 S * 6/2018 Kushita D14/230
 D830,347 S * 10/2018 Puckett D14/225
 2011/0203954 A1 * 8/2011 Kroupa B65H 75/4431
 206/320
 2012/0272436 A1 * 11/2012 Glezerman A42B 3/30
 2/411
 2013/0208937 A1 * 8/2013 Stern H04M 1/04
 381/332
 2014/0079237 A1 * 3/2014 Cataldo H04R 1/1033
 381/74

* cited by examiner

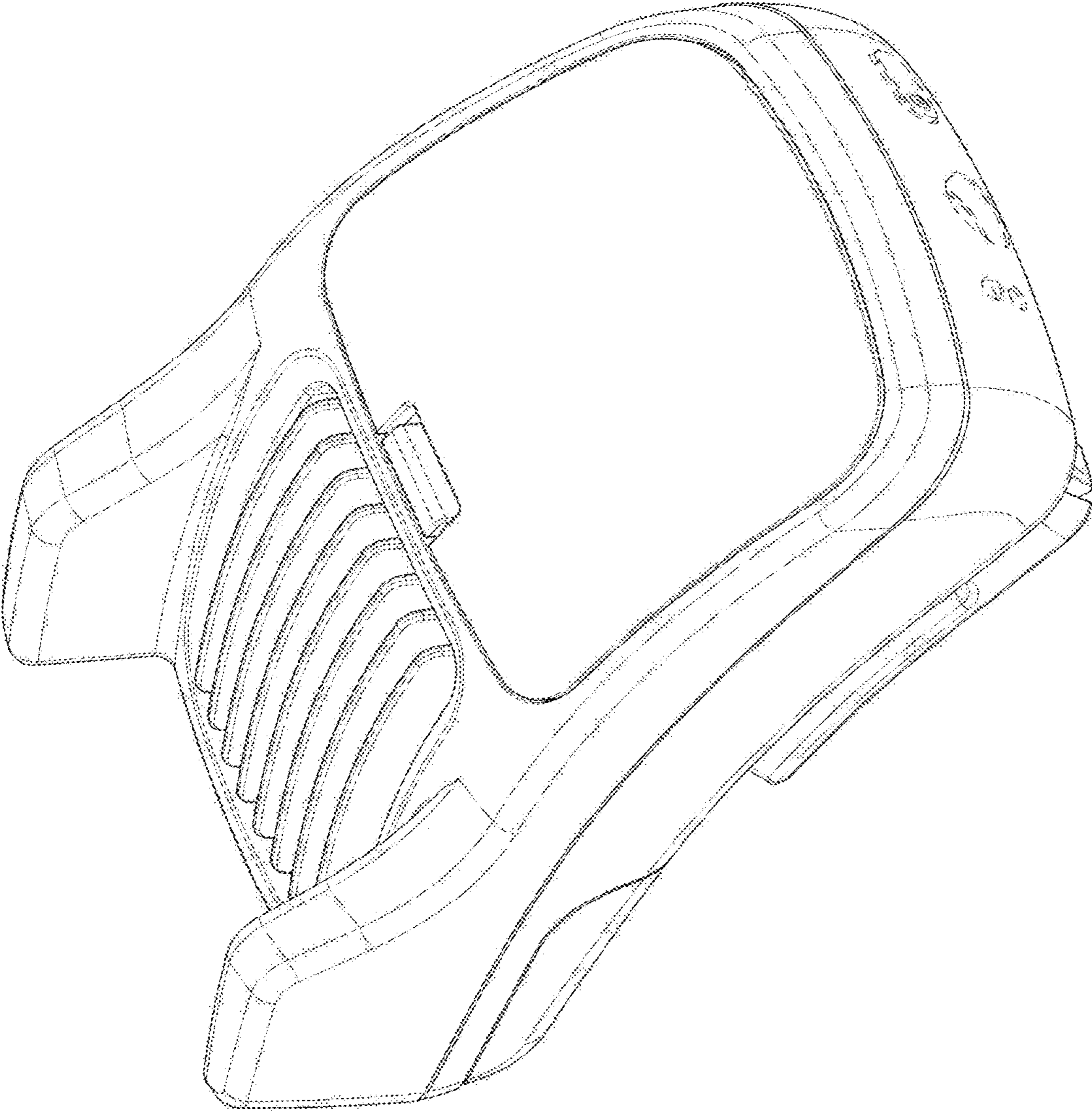


FIG. 1

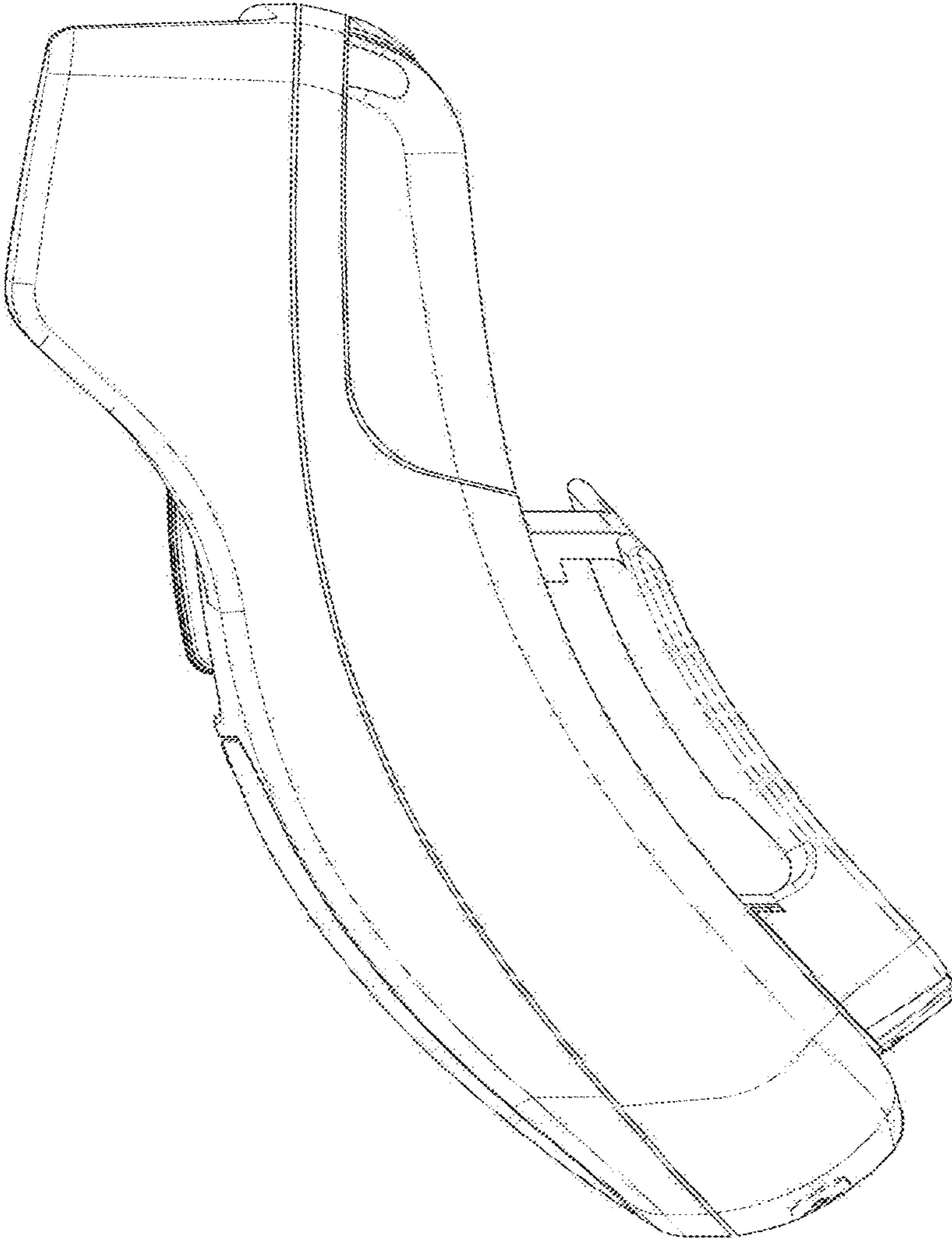


FIG. 2

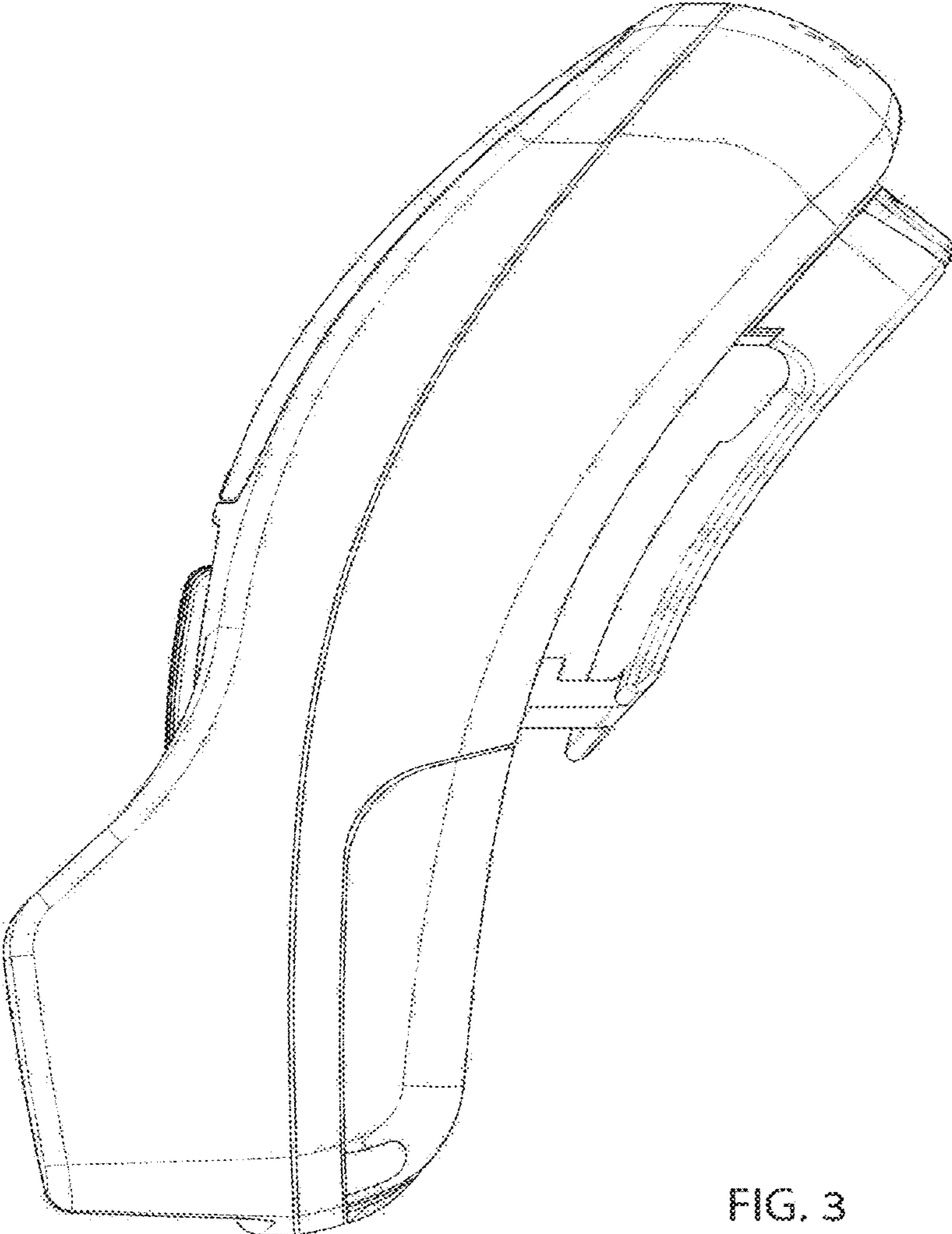


FIG. 3

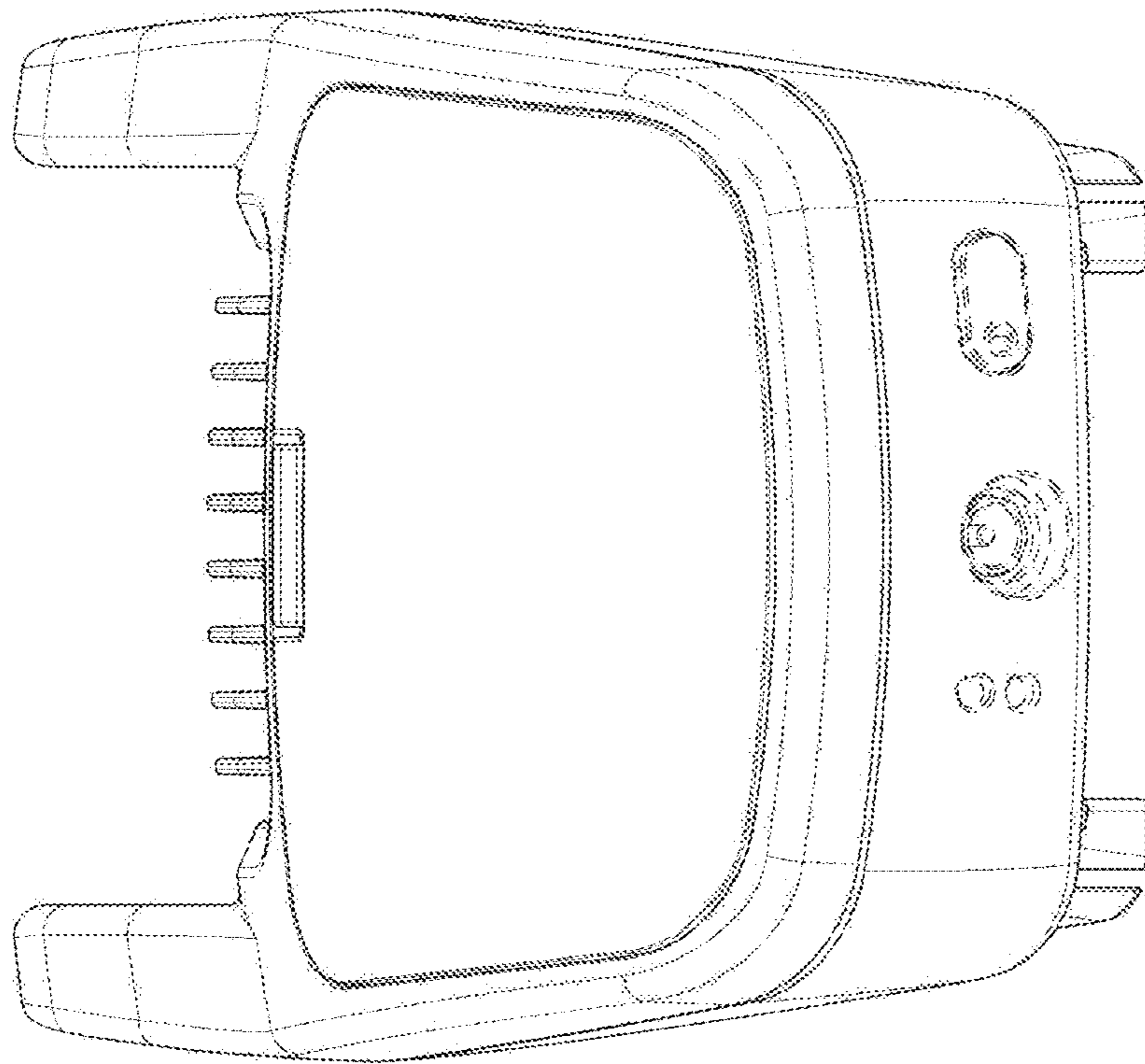


FIG. 4

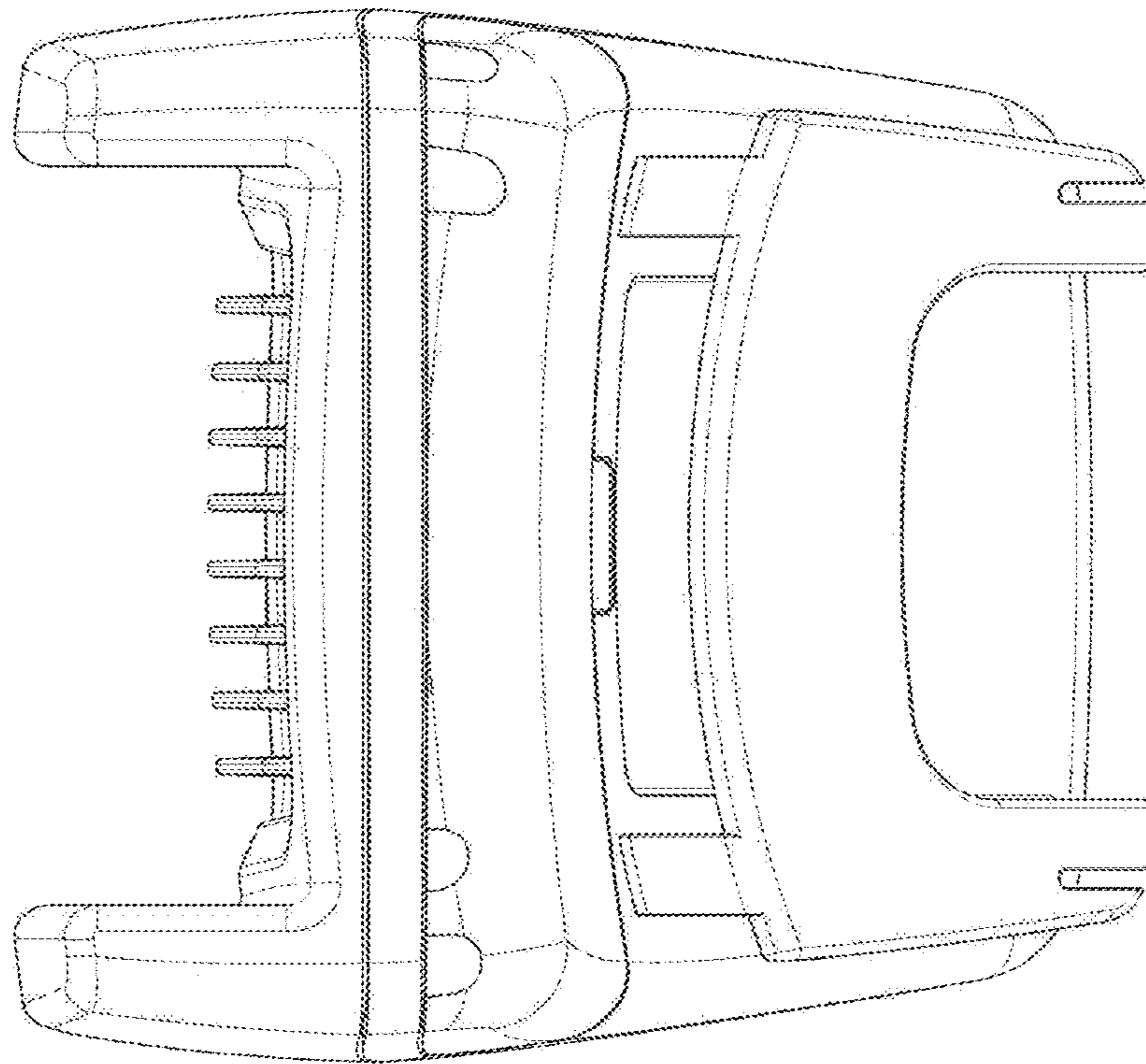


FIG. 5

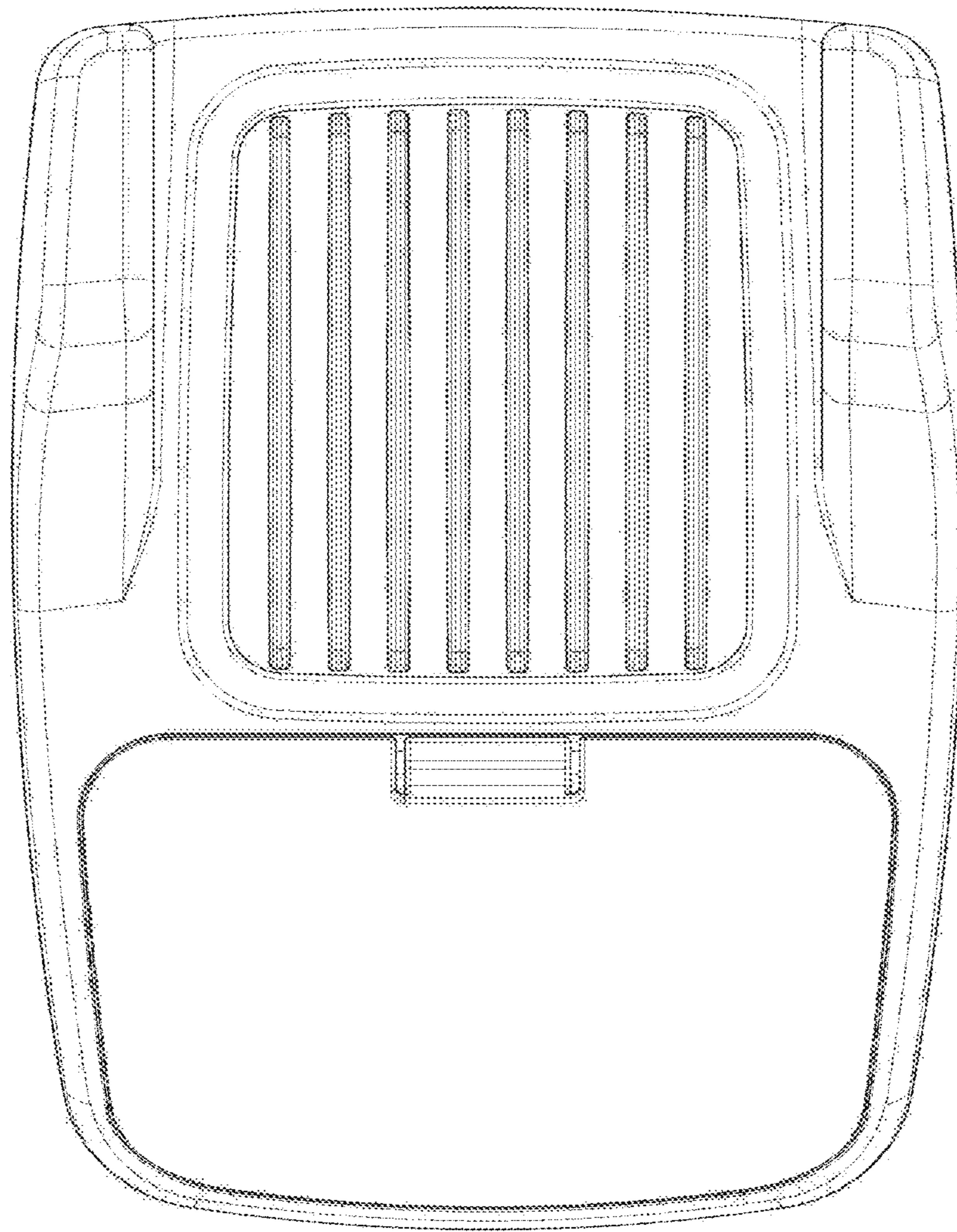


FIG. 6

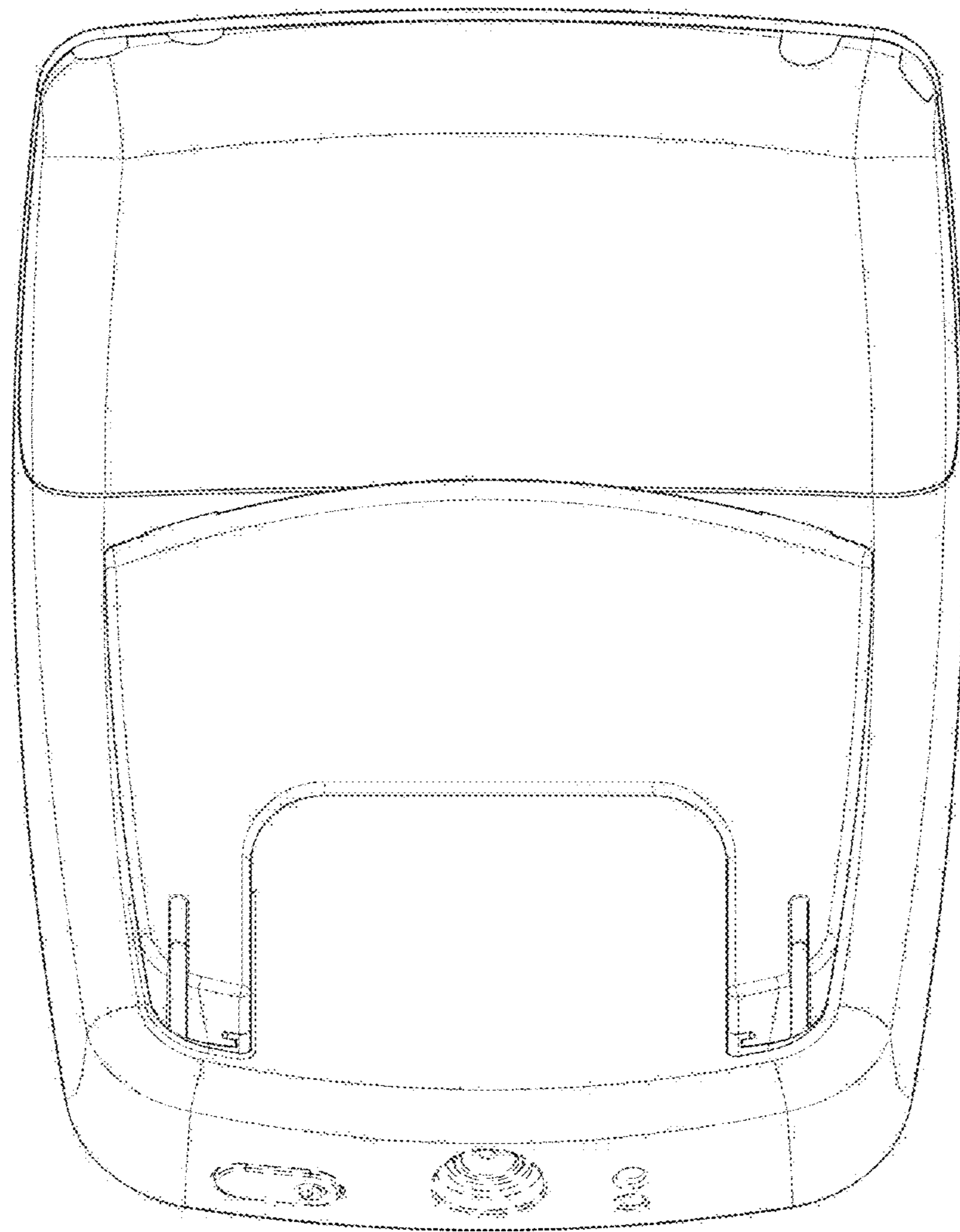


FIG. 7

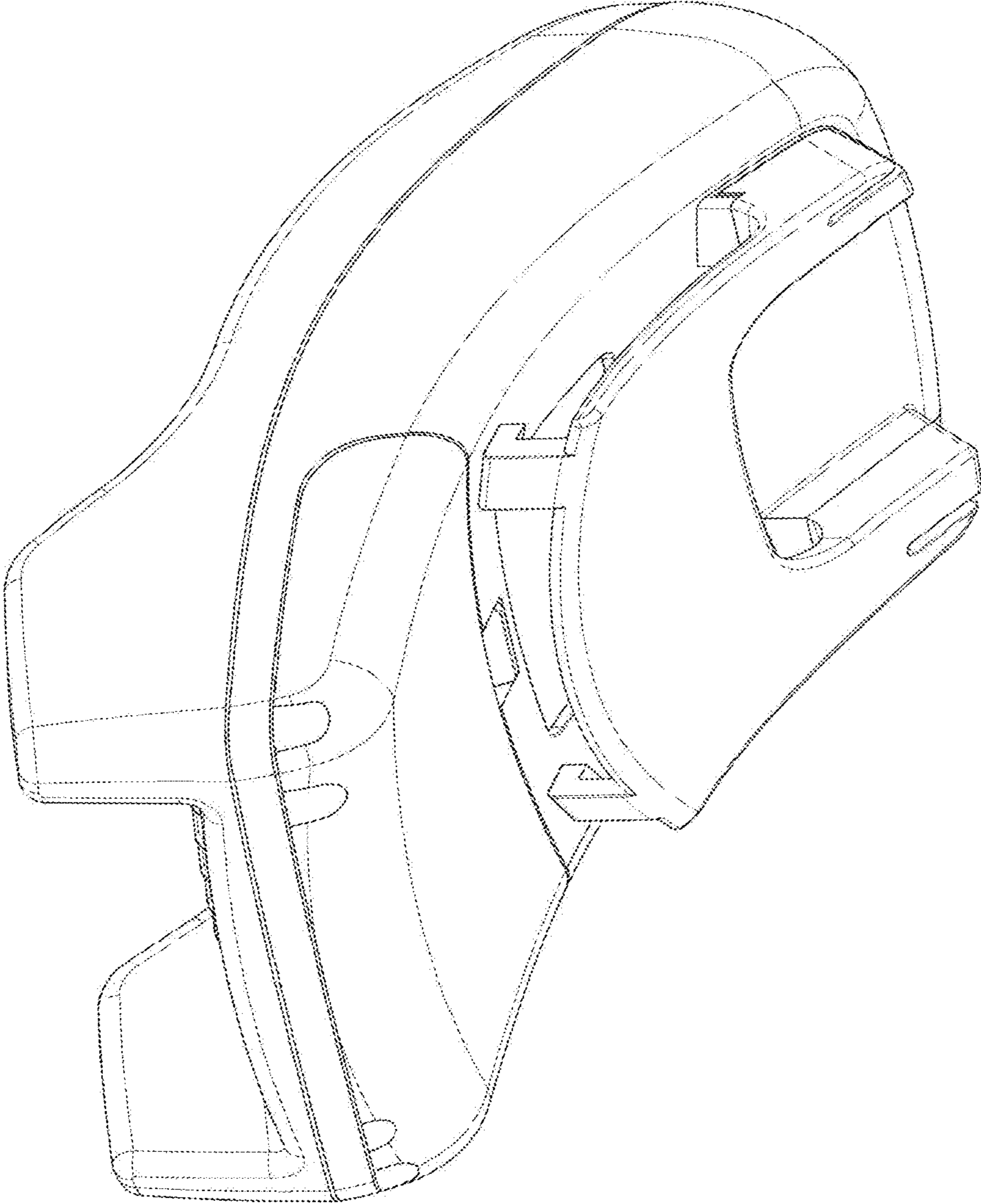


FIG. 8