



US00D860165S

(12) **United States Design Patent**  
**Morimoto**

(10) **Patent No.:** **US D860,165 S**

(45) **Date of Patent:** **\*\* Sep. 17, 2019**

(54) **EARPHONE**

(71) Applicant: **SONY CORPORATION**, Tokyo (JP)

(72) Inventor: **So Morimoto**, Saitama (JP)

(73) Assignee: **SONY CORPORATION**, Tokyo (JP)

(\*\*) Term: **15 Years**

(21) Appl. No.: **29/639,958**

(22) Filed: **Mar. 9, 2018**

(30) **Foreign Application Priority Data**

Dec. 28, 2017 (JP) ..... D2017-029606  
Dec. 28, 2017 (JP) ..... D2017-029607  
Dec. 29, 2017 (CN) ..... 2017 3 0682841

(51) **LOC (12) Cl.** ..... **14-01**

(52) **U.S. Cl.**  
USPC ..... **D14/205; D14/223**

(58) **Field of Classification Search**  
USPC ..... D14/205, 223, 218, 168, 496; D3/218,  
D3/215, 219; D13/107, 108, 154, 184;  
181/129, 130, 135; 379/430, 431;  
381/380, 381; 455/90.3, 575.1, 569.1;  
D24/104  
CPC ..... H04R 1/10; H04R 1/1016; H04R 1/1066;  
H04R 1/105; H04R 1/1041; H04R 1/1033  
See application file for complete search history.

(56) **References Cited**

**U.S. PATENT DOCUMENTS**

2,090,881 A \* 8/1937 Wilson ..... A43B 13/20  
36/29  
2,285,335 A \* 6/1942 Hurt ..... B29C 55/023  
428/179  
2,340,037 A \* 1/1944 Zipper ..... A61J 3/071  
206/530

(Continued)

**FOREIGN PATENT DOCUMENTS**

CN 304005300 S 1/2017  
JP 1556458 S 7/2016

**OTHER PUBLICATIONS**

Office Action issued in Japanese Application No. D2017-029606,  
dated May 7, 2019.

*Primary Examiner* — Paula Allen Greene

(74) *Attorney, Agent, or Firm* — Michael Best and  
Friedrich LLP

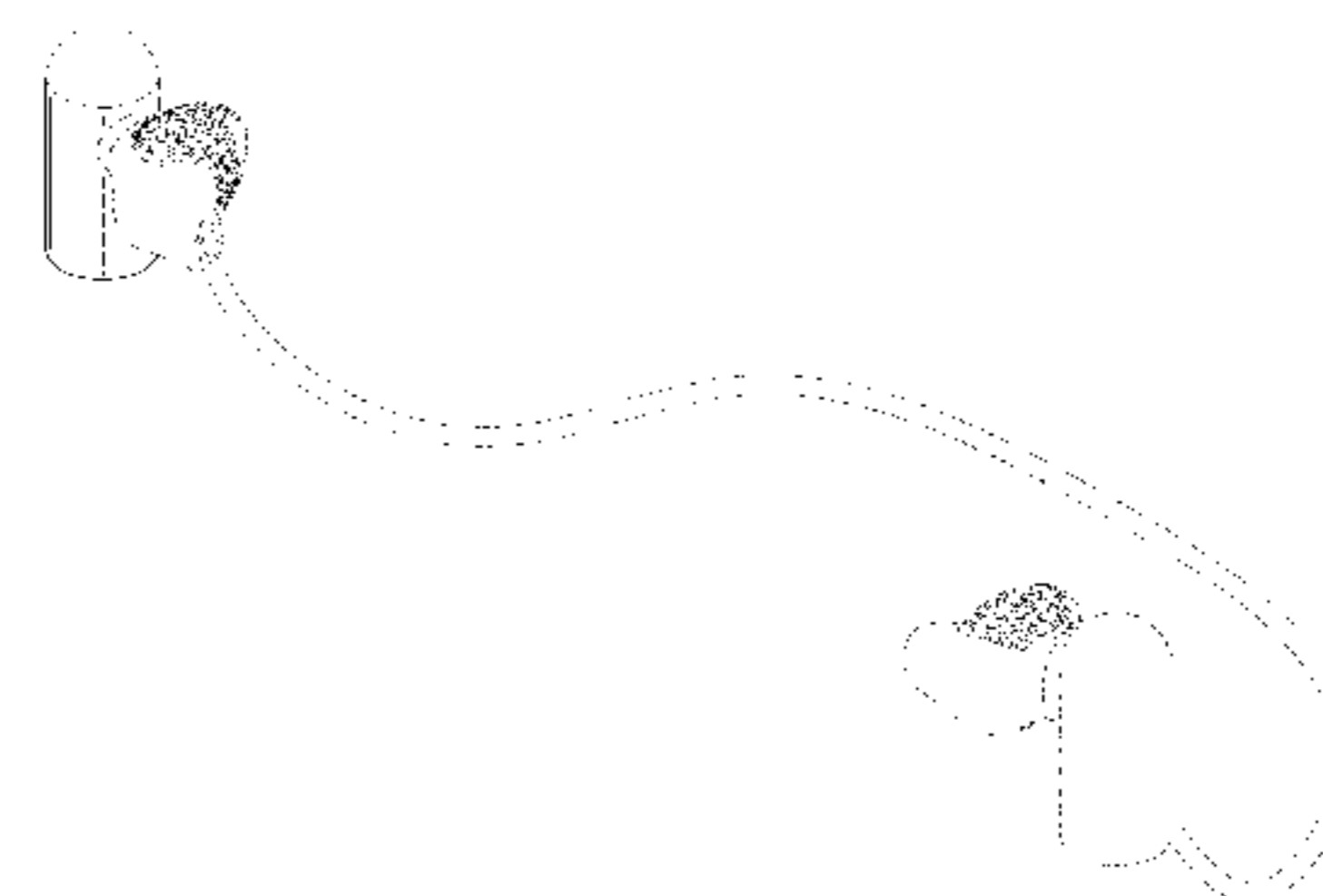
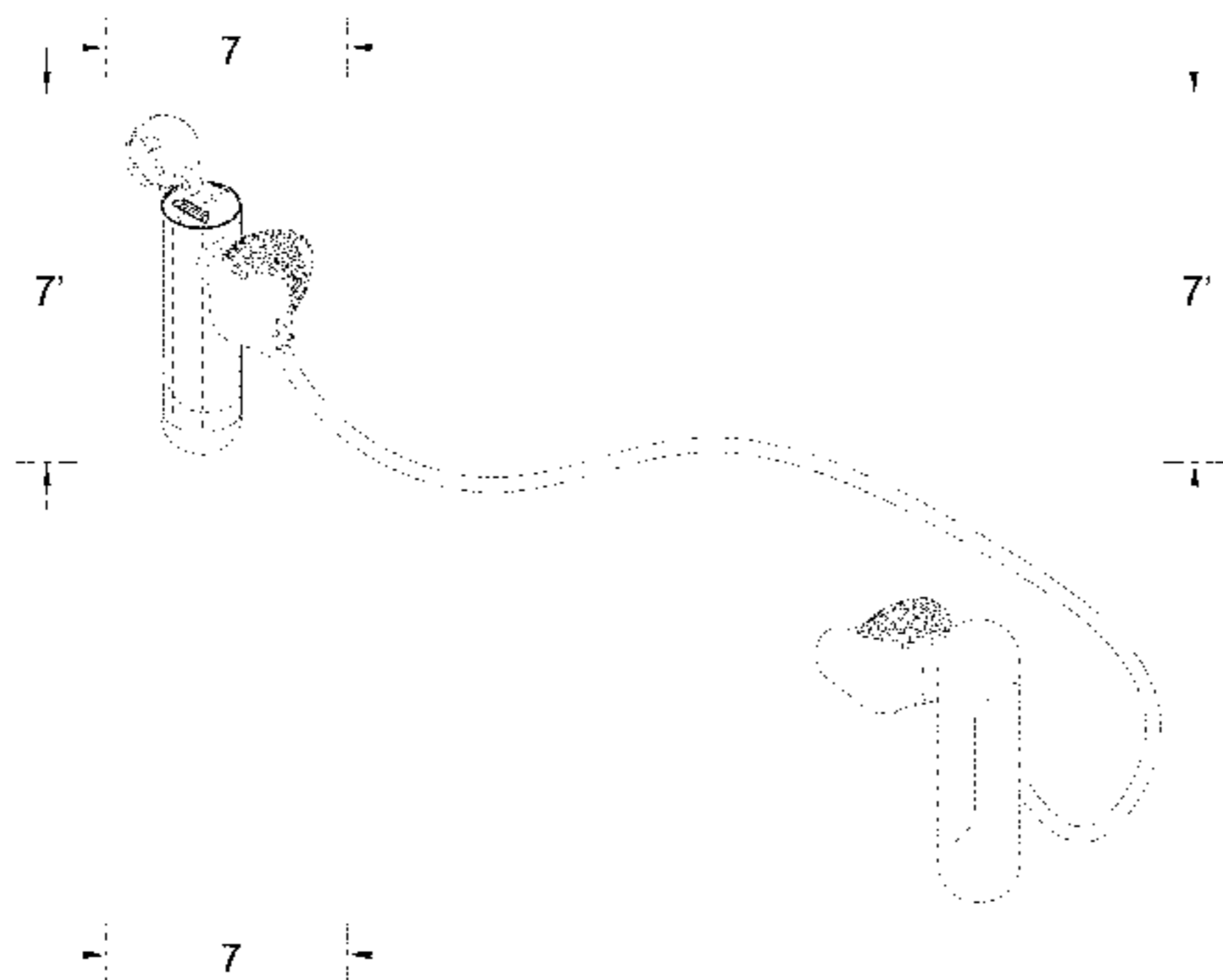
(57) **CLAIM**

The ornamental design for an earphone, as shown and  
described.

**DESCRIPTION**

FIG. 1 is a perspective view of a first embodiment of an  
earphone showing my new design;  
FIG. 2 is a front elevational view thereof;  
FIG. 3 is a rear elevational view thereof;  
FIG. 4 is a left side elevational view thereof;  
FIG. 5 is a top plan view thereof; and  
FIG. 6 is a bottom plan view thereof.  
FIG. 7 is a partially enlarged perspective view along the  
lines 7-7 and 7'-7' of FIG. 1.  
FIG. 8 is a perspective view of a second embodiment of an  
earphone showing my new design;  
FIG. 9 is a front elevational view thereof;  
FIG. 10 is a rear elevational view thereof;  
FIG. 11 is a left side elevational view thereof;  
FIG. 12 is a top plan view thereof; and  
FIG. 13 is a bottom plan view thereof; and,  
FIG. 14 is a partially enlarged perspective view along the  
lines 14-14 and 14'-14' of FIG. 13.  
The broken lines illustrating the unclaimed portions of the  
earphone form no part of the claimed design. Dot-dash  
broken lines define the boundaries of the claimed design and  
form no part of the claimed design.

**1 Claim, 14 Drawing Sheets**



(56)

References Cited

U.S. PATENT DOCUMENTS

3,018,015 A \* 1/1962 Agriss ..... B65D 81/03  
 116/DIG. 14  
 D220,723 S \* 5/1971 Abbo ..... D14/197  
 3,588,384 A \* 6/1971 Negley ..... H04M 1/05  
 381/327  
 3,611,150 A \* 10/1971 Timm ..... H04B 1/08  
 312/7.1  
 D223,835 S \* 6/1972 Schmidt ..... D14/191  
 3,781,492 A \* 12/1973 Cragg ..... H04R 1/08  
 379/430  
 4,335,281 A \* 6/1982 Scott ..... H04M 1/05  
 379/430  
 4,588,867 A \* 5/1986 Konomi ..... H04R 1/46  
 379/430  
 4,646,872 A \* 3/1987 Kamon ..... H04R 1/225  
 181/129  
 4,893,344 A \* 1/1990 Tragardh ..... H04M 1/05  
 379/430  
 D316,550 S \* 4/1991 Sogabe ..... D14/168  
 D351,171 S \* 10/1994 Tanaka ..... D14/205  
 5,640,458 A \* 6/1997 Nishiguchi ..... G11C 7/16  
 381/2  
 D396,860 S \* 8/1998 Yasutomi ..... D10/119.2  
 D417,869 S \* 12/1999 Yasutomi ..... D14/168  
 D421,014 S \* 2/2000 Smith ..... D14/205  
 D447,470 S \* 9/2001 Obata ..... D14/167  
 D467,907 S \* 12/2002 Marion ..... D14/223  
 D469,753 S \* 2/2003 Andre ..... D14/205  
 D491,911 S \* 6/2004 Jung ..... D14/203.3  
 D505,132 S \* 5/2005 Linville ..... D14/223  
 D511,157 S \* 11/2005 Johnson ..... D14/223  
 D512,982 S \* 12/2005 Rodarte ..... D14/205  
 D514,552 S \* 2/2006 Lee ..... D14/205  
 D515,070 S \* 2/2006 Andre ..... D14/205  
 D517,053 S \* 3/2006 Ham ..... D14/223

7,099,467 B1 \* 8/2006 Rohrbach ..... G09B 15/00  
 379/441  
 D551,250 S \* 9/2007 Andre ..... D14/484.1  
 D583,804 S \* 12/2008 Mahler ..... D14/223  
 D587,678 S \* 3/2009 Yuyama ..... D14/205  
 D588,099 S 3/2009 Yuyama  
 D594,442 S \* 6/2009 Chon ..... D14/205  
 D598,374 S \* 8/2009 Sasada ..... D13/108  
 D601,125 S 9/2009 Komiyama  
 D604,272 S \* 11/2009 Kitayama ..... D14/223  
 D607,815 S \* 1/2010 Lui ..... D13/107  
 D629,396 S \* 12/2010 Andre ..... D14/223  
 D635,546 S 4/2011 Komiyama  
 D643,830 S \* 8/2011 Fish ..... D14/205  
 D645,816 S \* 9/2011 Sasada ..... D13/108  
 D668,246 S \* 10/2012 Fathollahi ..... D14/250  
 D676,427 S \* 2/2013 Yang ..... D14/223  
 D691,580 S \* 10/2013 Cho ..... D14/205  
 D694,220 S \* 11/2013 Lee ..... D14/223  
 8,655,006 B2 \* 2/2014 Aase ..... B29C 43/203  
 381/370  
 D707,660 S \* 6/2014 Yang ..... H04R 1/10  
 D14/223  
 D731,781 S \* 6/2015 Behar ..... D3/201  
 D745,862 S 12/2015 Otani et al.  
 D752,542 S \* 3/2016 Lamar ..... D14/205  
 D756,958 S \* 5/2016 Lee ..... D14/205  
 D780,690 S \* 3/2017 Clapper ..... D13/108  
 D798,844 S \* 10/2017 Nokuo ..... D14/223  
 D815,037 S \* 4/2018 Chen ..... D13/108  
 D830,336 S \* 10/2018 Cai ..... D14/205  
 D842,836 S \* 3/2019 Ma ..... D14/205  
 D843,938 S \* 3/2019 Park ..... D13/108  
 2003/0161999 A1 \* 8/2003 Kannankeril ..... B32B 3/28  
 428/178  
 2010/0027249 A1 \* 2/2010 Connor ..... F21L 4/08  
 362/183  
 2016/0056648 A1 \* 2/2016 Dowd ..... H02J 7/0042  
 320/107

\* cited by examiner

FIG.1

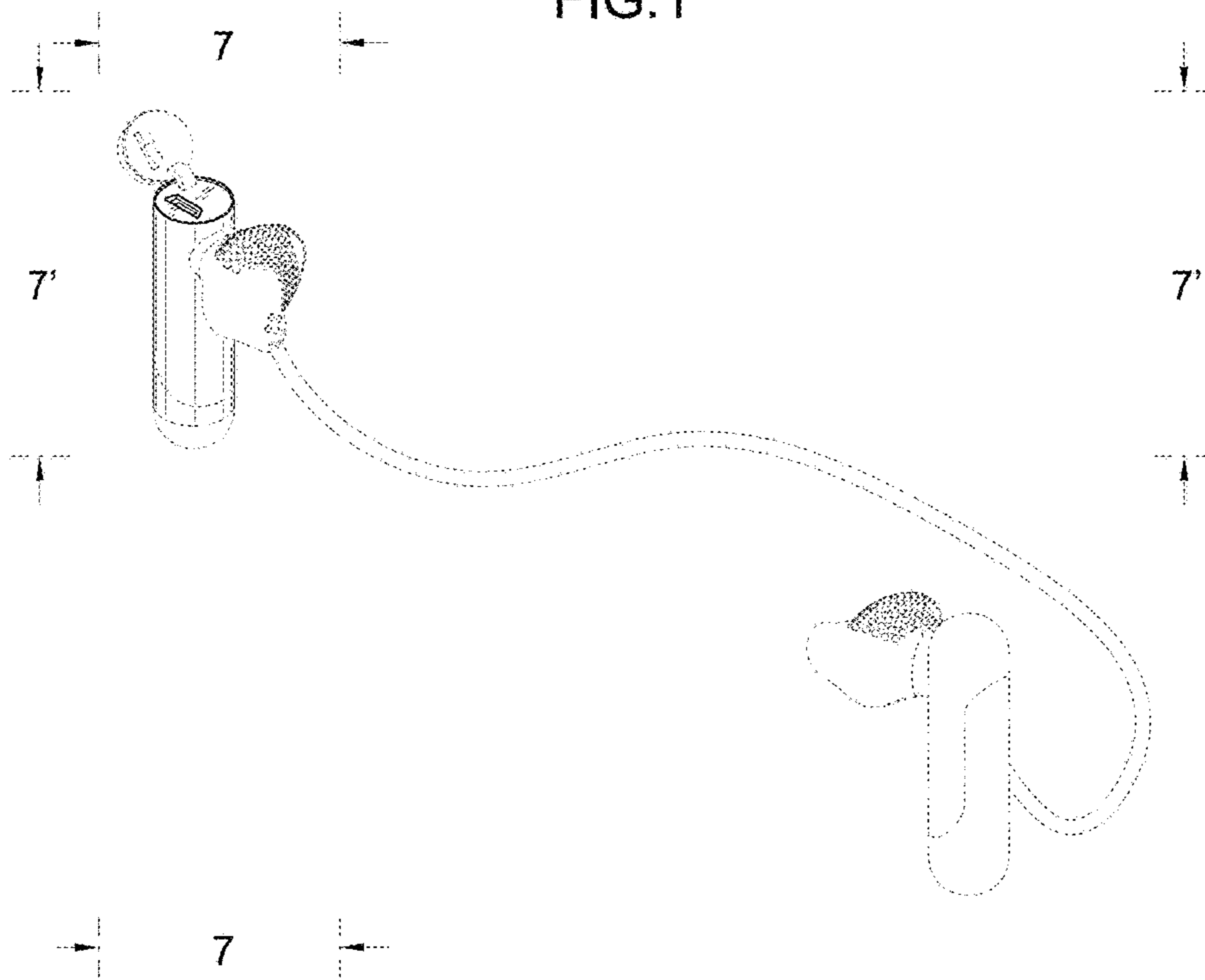


FIG.2



FIG.3



FIG.4

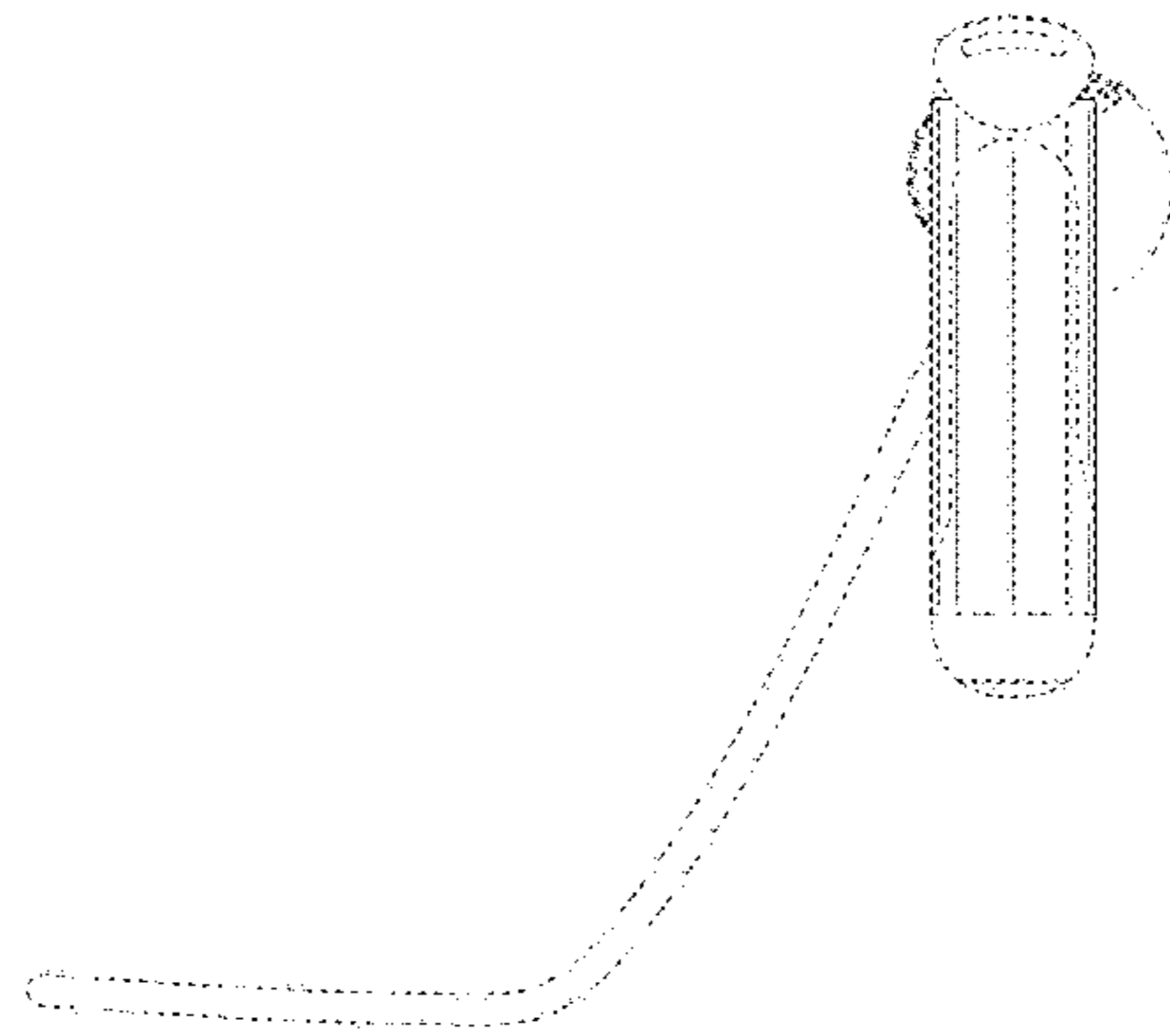


FIG.5

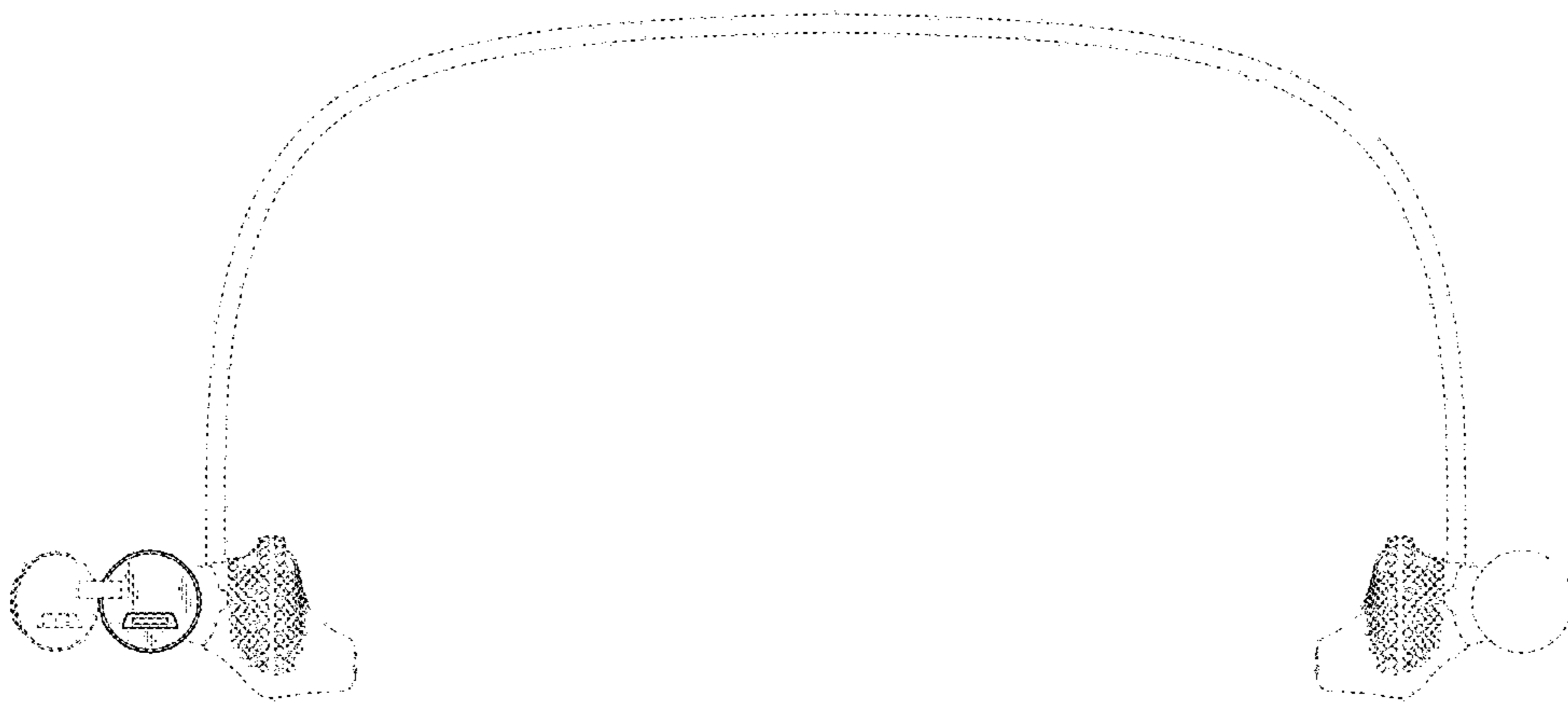


FIG.6





FIG.7

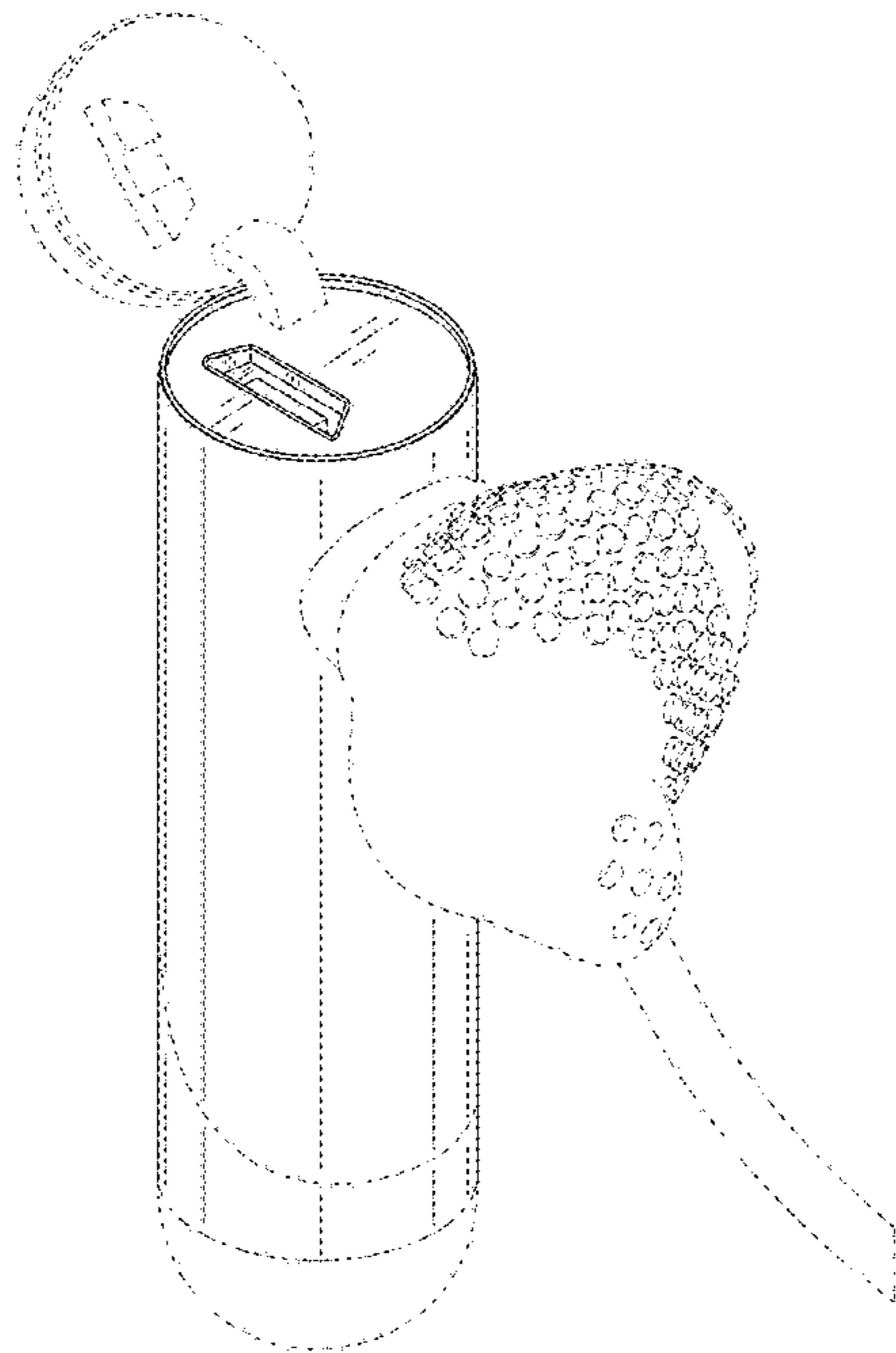


FIG.8

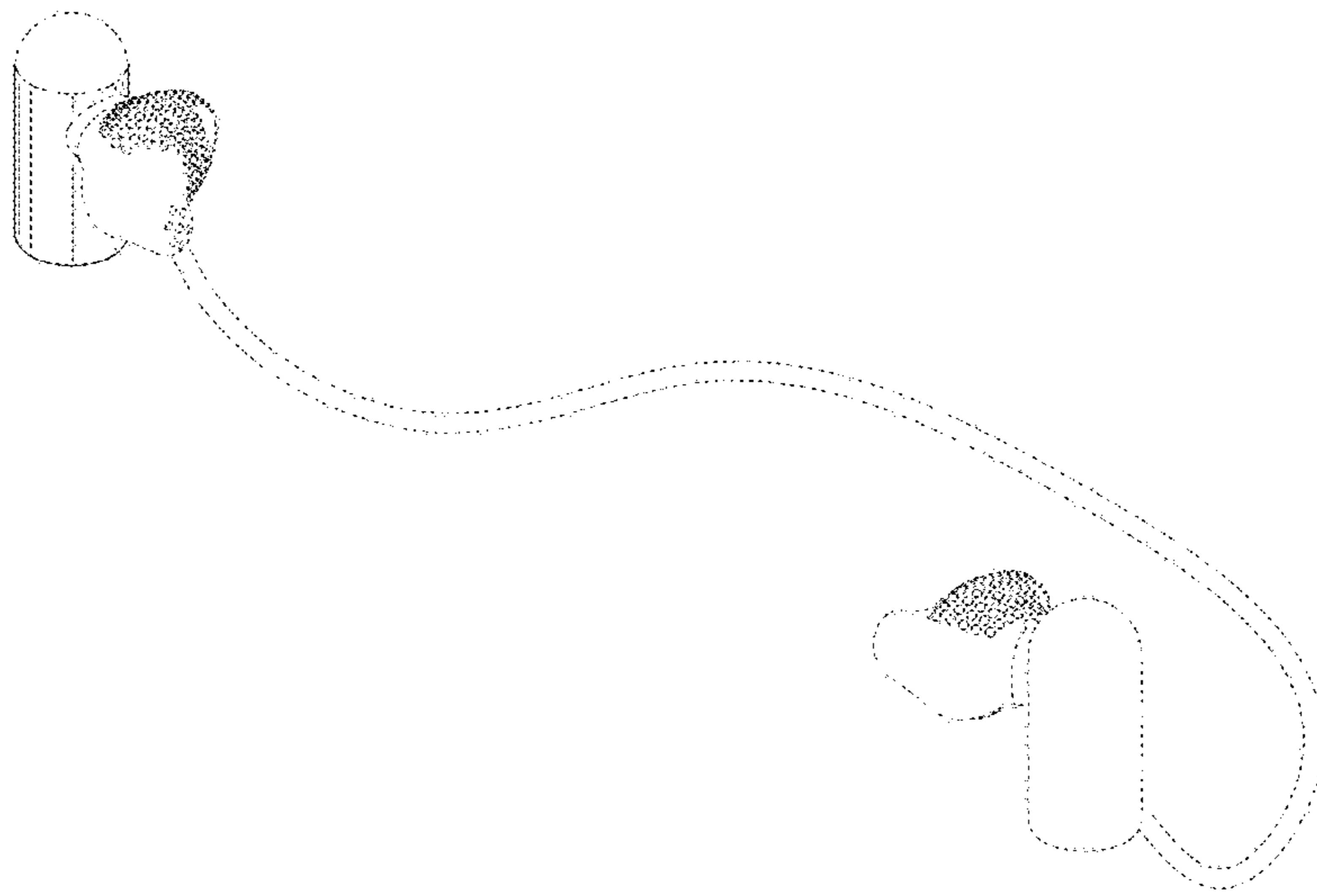


FIG.9



FIG.10



FIG.11

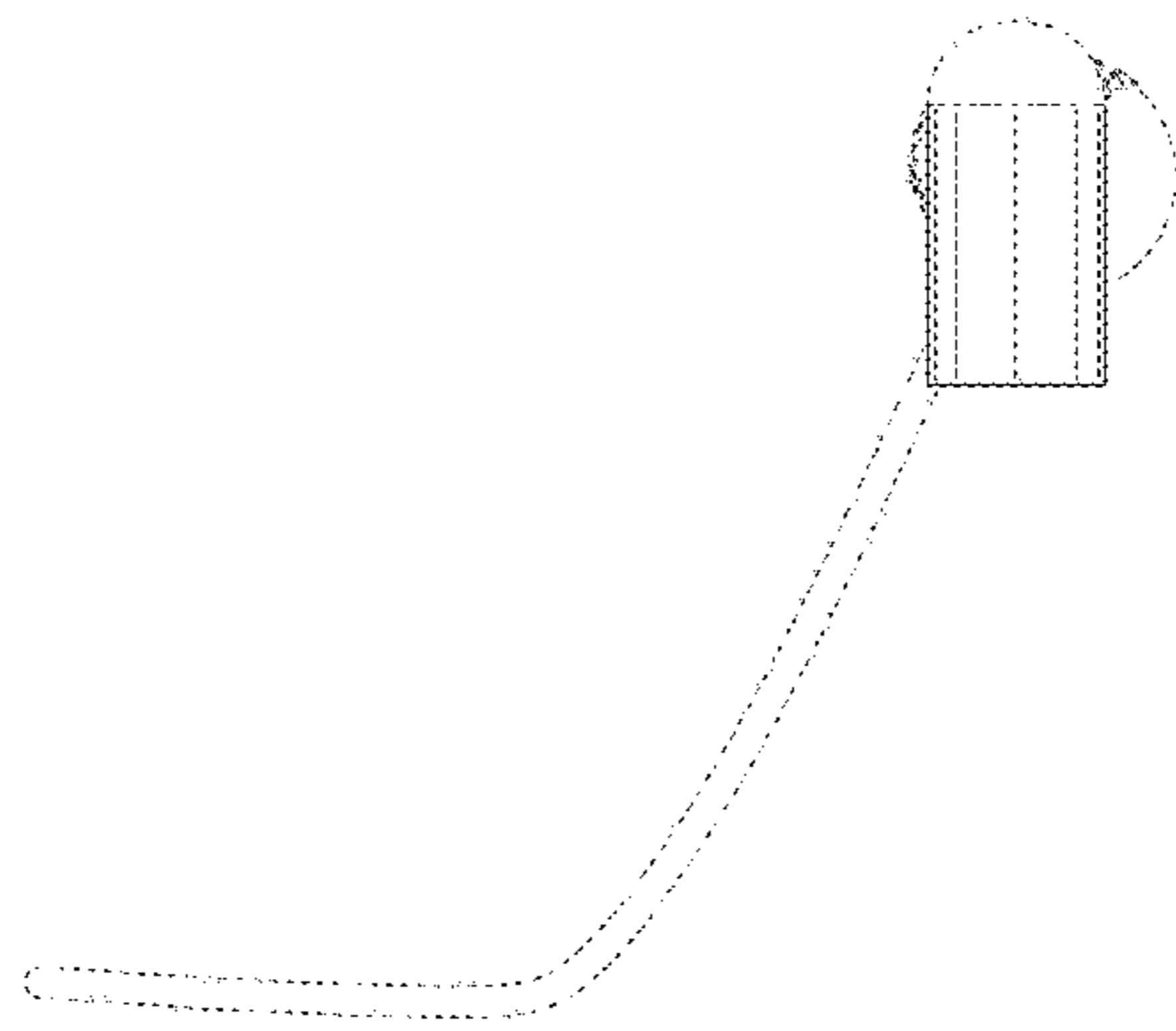


FIG.12

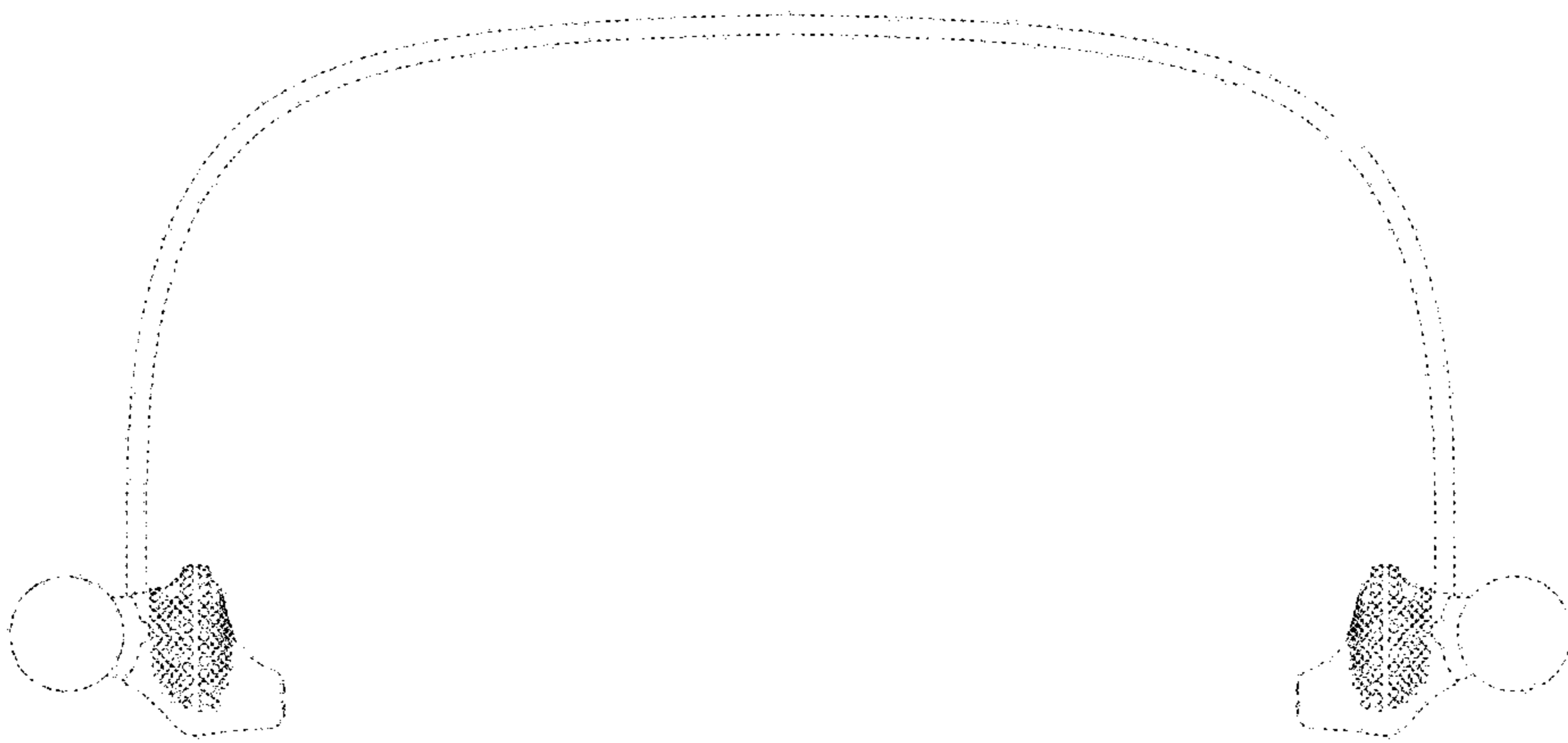


FIG.13

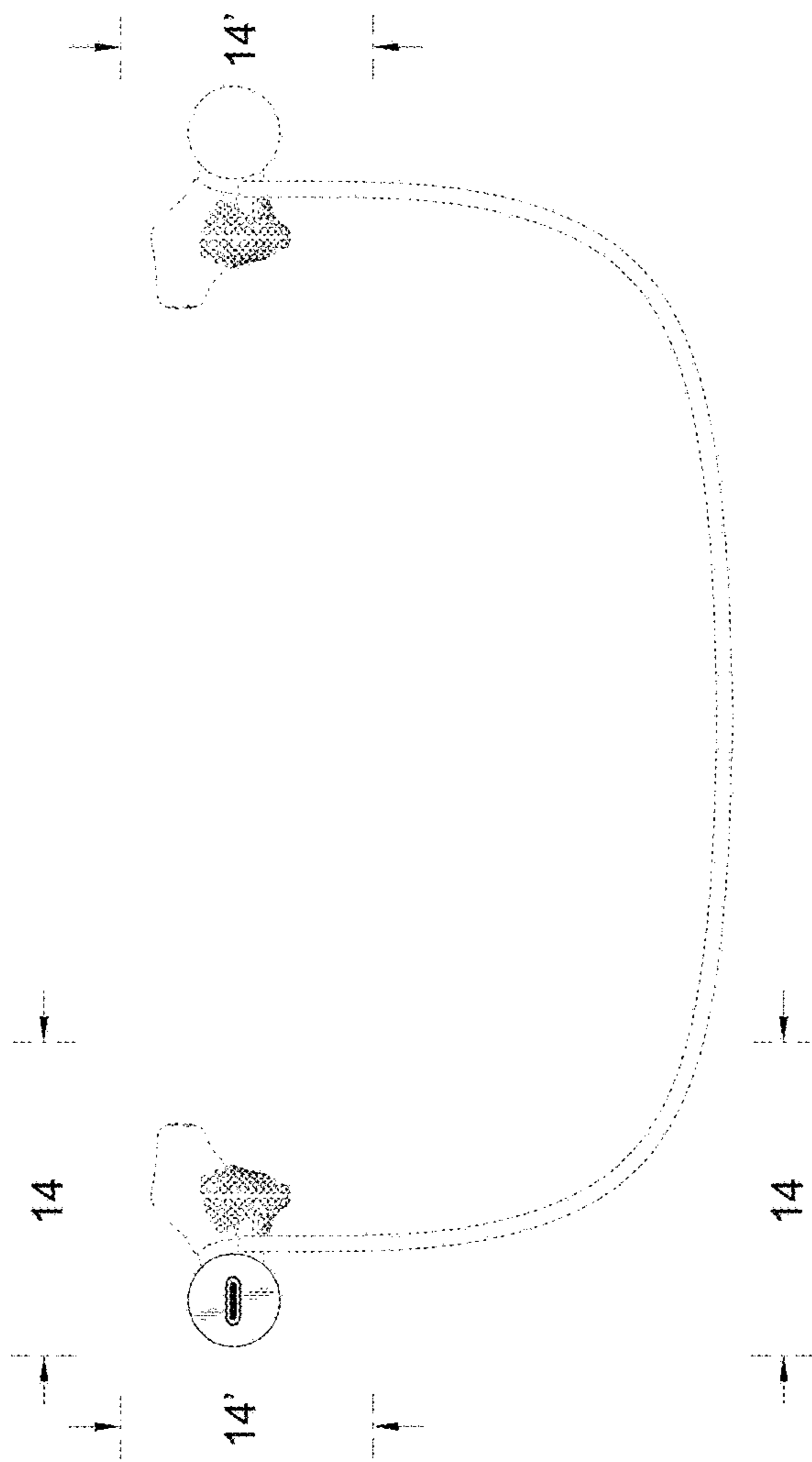


FIG.14

