



US00D860163S

(12) **United States Design Patent**
Xia

(10) **Patent No.:** **US D860,163 S**

(45) **Date of Patent:** **** Sep. 17, 2019**

(54) **HEADSET**

(71) Applicant: **SHENZHEN JIUHU TECHNOLOGY CO., LTD**, Shenzhen (CN)

(72) Inventor: **Ji Xia**, Shenzhen (CN)

(73) Assignee: **SHENZHEN JIUHU TECHNOLOGY CO., LTD**, Shenzhen (CN)

(**) Term: **15 Years**

(21) Appl. No.: **29/631,023**

(22) Filed: **Dec. 26, 2017**

(30) **Foreign Application Priority Data**

Nov. 27, 2017 (CN) 2017 3 0588290

(51) **LOC (12) Cl.** **14-01**

(52) **U.S. Cl.**
USPC **D14/205**

(58) **Field of Classification Search**
USPC D14/205, 188, 192; D29/112; 2/209;
181/129, 130, 135; 379/430, 431;
381/380, 381, 374, 74; 455/90.3, 575.1,
455/569.1
CPC H04R 25/00; H04R 1/1066; H04R 1/1016;
H04R 5/033; H04R 5/0335
See application file for complete search history.

(56) **References Cited**

U.S. PATENT DOCUMENTS

- 3,579,640 A * 5/1971 Beguin et al. A61F 11/14
2/209
- D246,259 S * 11/1977 Nishimura D14/205
- D246,519 S * 11/1977 Kato D14/205
- D254,183 S * 2/1980 Doodson D14/205
- D262,019 S * 11/1981 Upshaw D14/205
- D272,904 S * 3/1984 Kawano D14/205
- D292,205 S * 10/1987 Kikutani 381/378
- D301,145 S * 5/1989 Besasie D14/205

- D328,461 S * 8/1992 Daido D14/205
- D431,550 S * 10/2000 Yoneda D14/205
- D453,015 S * 1/2002 Yuyama D14/192
- 6,629,579 B1 * 10/2003 Hasegawa H04R 1/1066
181/129
- 7,072,483 B2 * 7/2006 Lenhard-Backhaus
H04R 1/1066
381/370
- D530,307 S * 10/2006 Rath D14/206
- D531,165 S * 10/2006 Rath D14/206
- D534,155 S * 12/2006 Obata D14/205
- D563,382 S * 3/2008 Wikel D14/205
- D573,581 S * 7/2008 Gondo D14/205
- D581,394 S * 11/2008 Lee D14/205
- D582,890 S * 12/2008 Koza D14/205
- D589,492 S * 3/2009 Mistry D14/205

(Continued)

Primary Examiner — Paula Allen Greene

(74) *Attorney, Agent, or Firm* — Li & Cai Intellectual Property Office

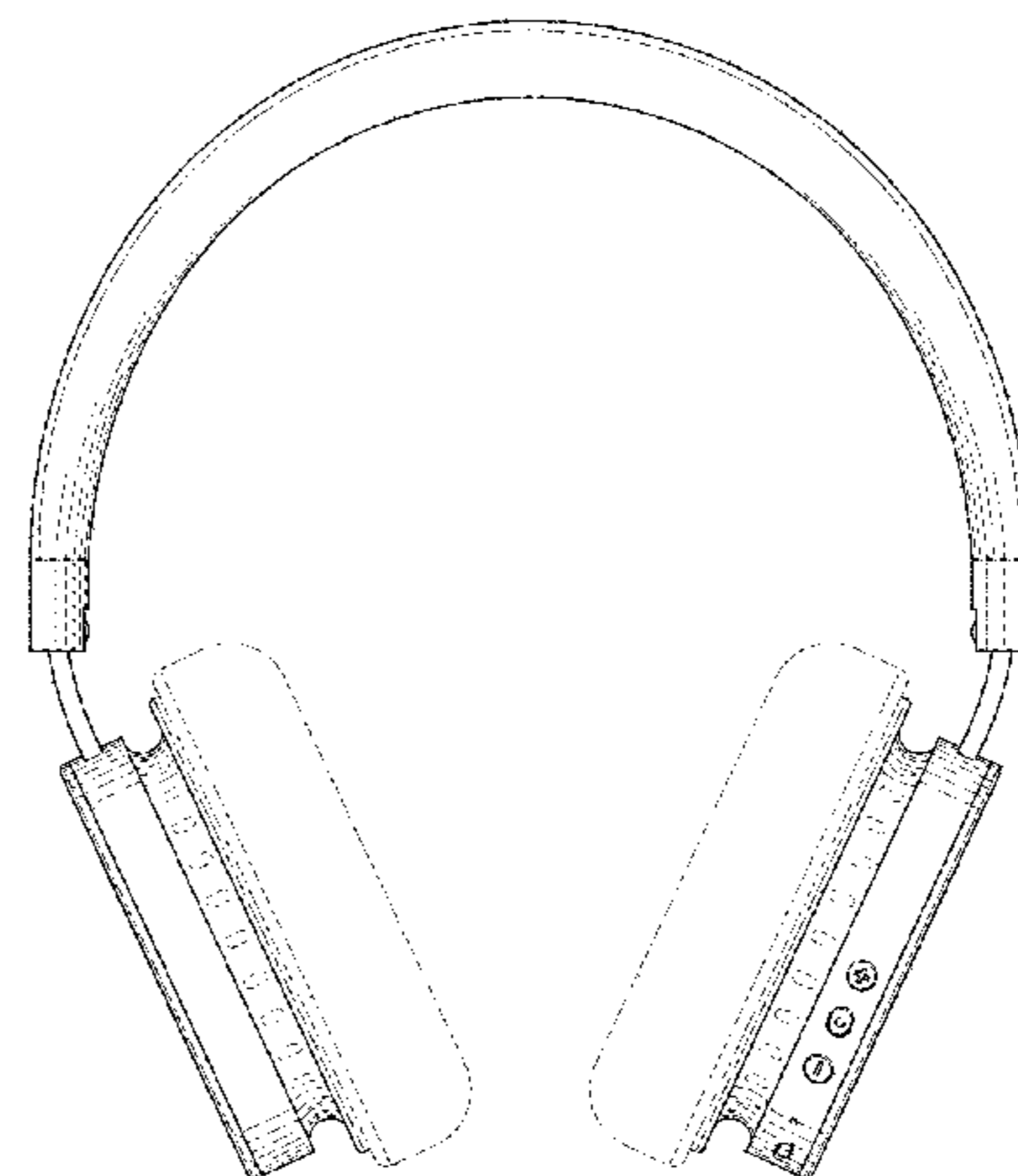
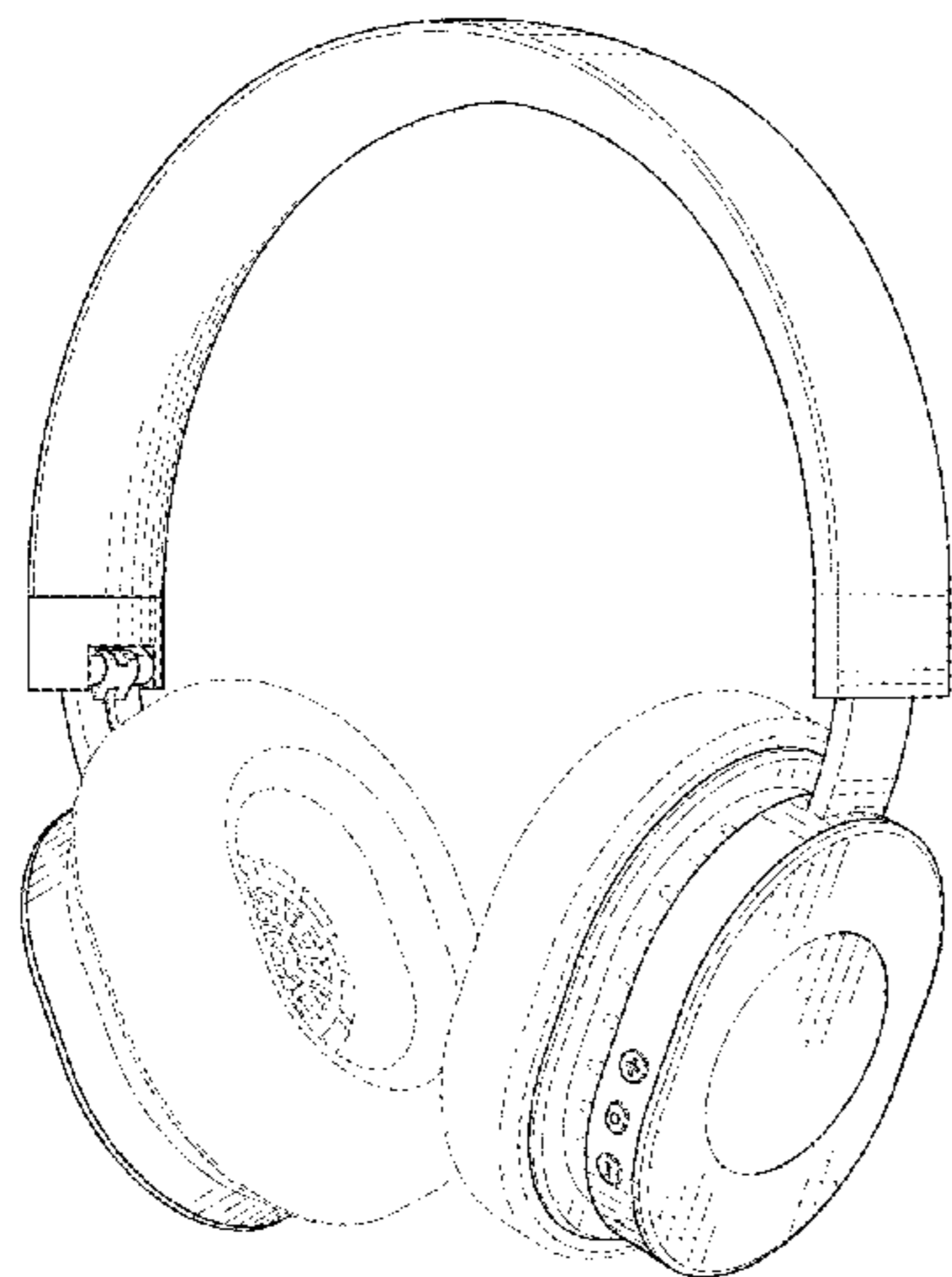
(57) **CLAIM**

The ornamental design for a “headset”, as shown and described.

DESCRIPTION

FIG. 1 is a front and right perspective view of a headset showing my new design;
 FIG. 2 is a front elevational view thereof;
 FIG. 3 is a rear elevational view thereof;
 FIG. 4 is a left side elevational view thereof;
 FIG. 5 is a right side elevational view thereof;
 FIG. 6 is a top plan view thereof;
 FIG. 7 is a bottom plan view thereof;
 FIG. 8 is a front and right perspective view of the headset in an alternate extended position; and,
 FIG. 9 is a front and bottom perspective view of the headset in an alternate retracted position.
 The broken lines depict environment that forms no part of the claimed design.

1 Claim, 9 Drawing Sheets



(56)

References Cited

U.S. PATENT DOCUMENTS

| | | | | | | |
|----------|---|---|---------|----------|-------|-------------|
| D592,640 | S | * | 5/2009 | Tkachuk | | D14/205 |
| D625,705 | S | * | 10/2010 | Ohori | | D14/205 |
| D628,189 | S | * | 11/2010 | Rath | | D14/206 |
| D643,405 | S | * | 8/2011 | Rath | | D14/206 |
| D657,345 | S | * | 4/2012 | Brunner | | H04R 1/1008 |
| | | | | | | D14/205 |
| D658,158 | S | * | 4/2012 | Suzuki | | D14/205 |
| D666,168 | S | * | 8/2012 | Rath | | D14/206 |
| D675,595 | S | * | 2/2013 | Cho | | D14/205 |
| D683,329 | S | * | 5/2013 | Hagelin | | D14/205 |
| D691,579 | S | * | 10/2013 | Lee | | D14/205 |
| D696,226 | S | * | 12/2013 | Brunner | | H04R 1/1008 |
| | | | | | | D14/205 |
| D699,702 | S | * | 2/2014 | Chen | | D14/205 |
| D704,163 | S | * | 5/2014 | Brunner | | H04R 1/1008 |
| | | | | | | D14/205 |
| D707,200 | S | * | 6/2014 | Yang | | H04R 1/1066 |
| | | | | | | D14/205 |
| D713,374 | S | * | 9/2014 | Farrage | | D14/205 |
| D719,136 | S | * | 12/2014 | Schaal | | D14/205 |
| D722,998 | S | * | 2/2015 | Sancho | | D14/205 |
| D729,196 | S | * | 5/2015 | Liu | | D14/205 |
| D733,090 | S | * | 6/2015 | Petersen | | D14/205 |
| D739,842 | S | * | 9/2015 | Birger | | D14/205 |
| D769,221 | S | * | 10/2016 | Pedersen | | D14/206 |
| D800,691 | S | * | 10/2017 | Ando | | D14/205 |
| D840,370 | S | * | 2/2019 | Kelly | | D14/205 |

* cited by examiner

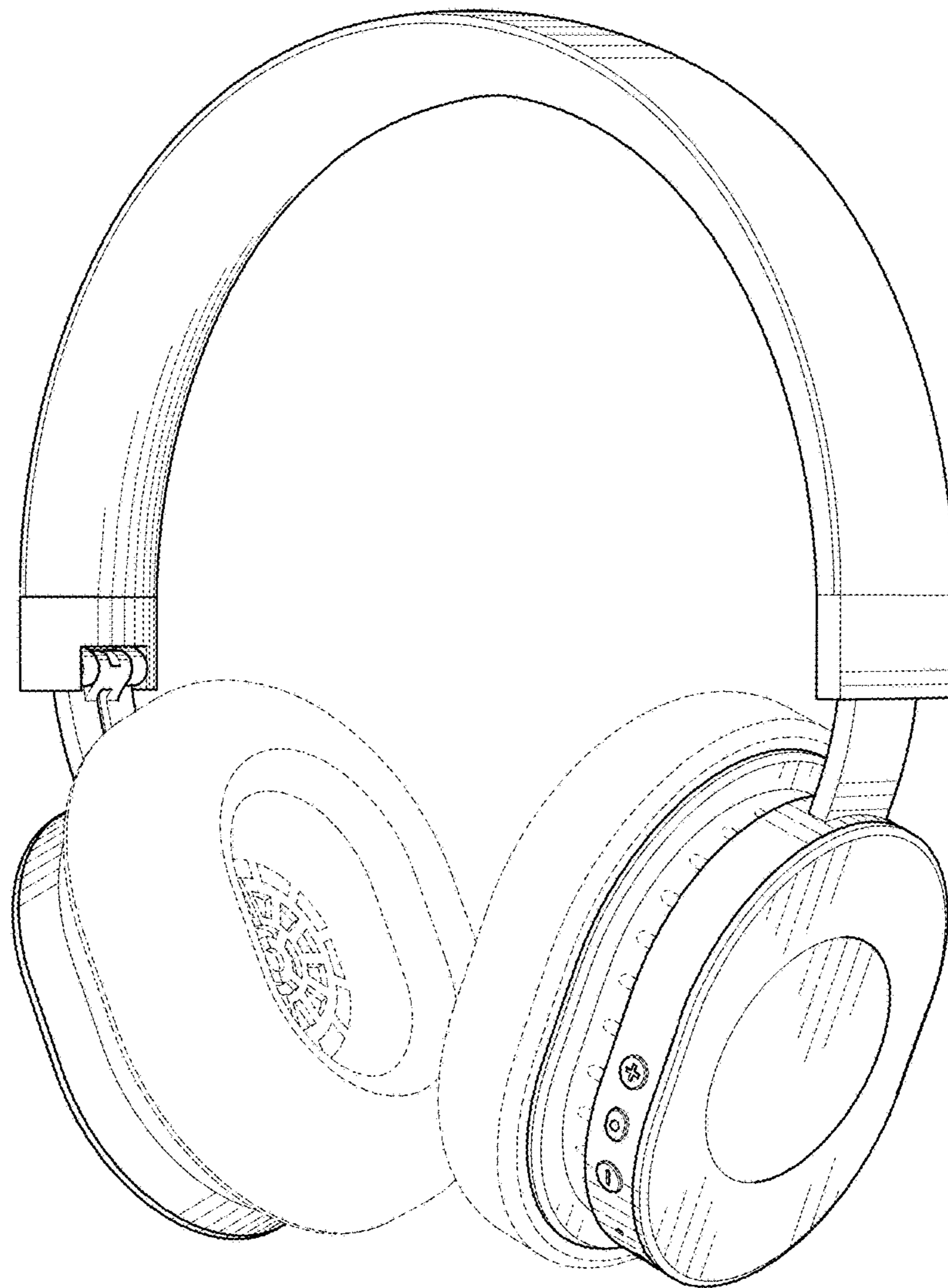


FIG. 1

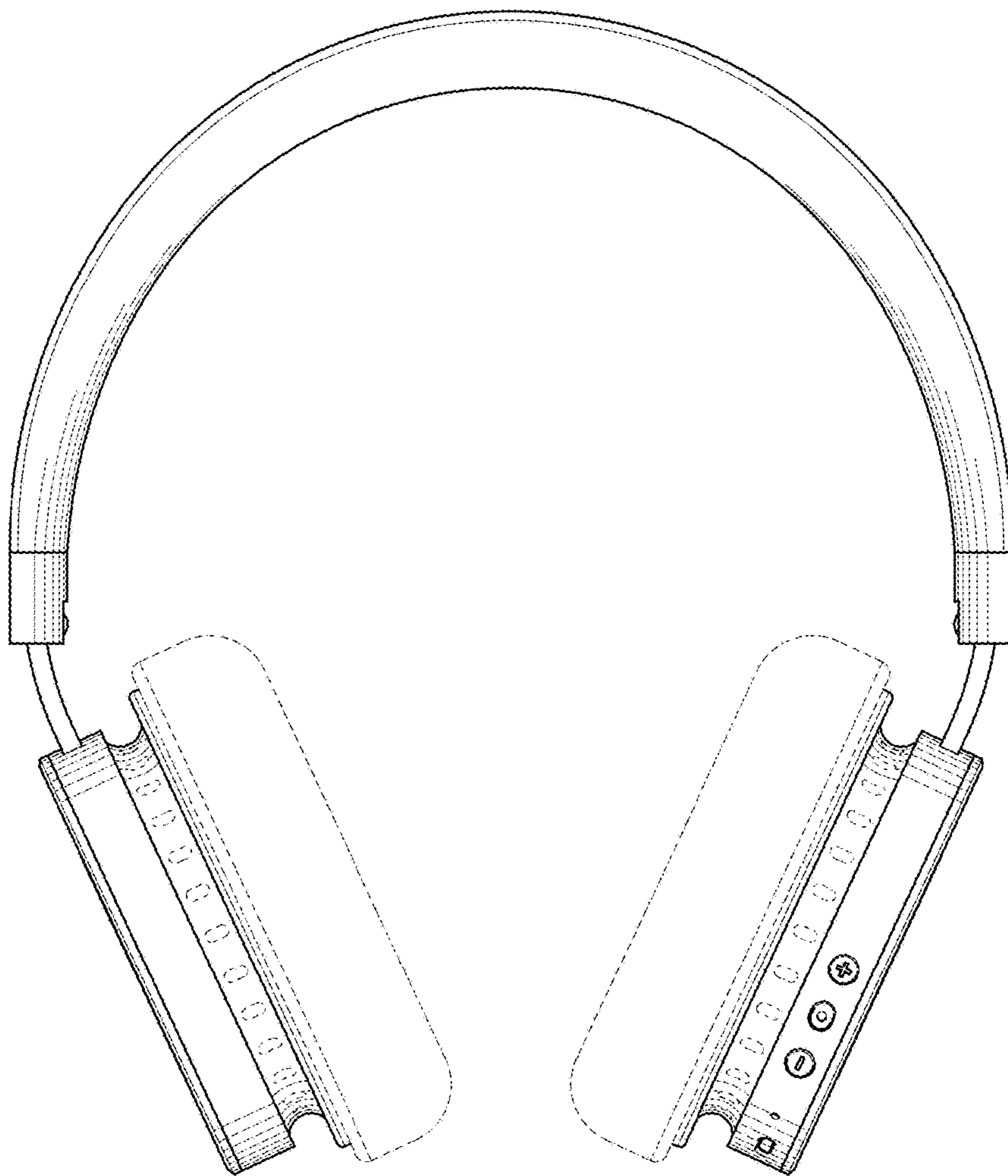


FIG. 2

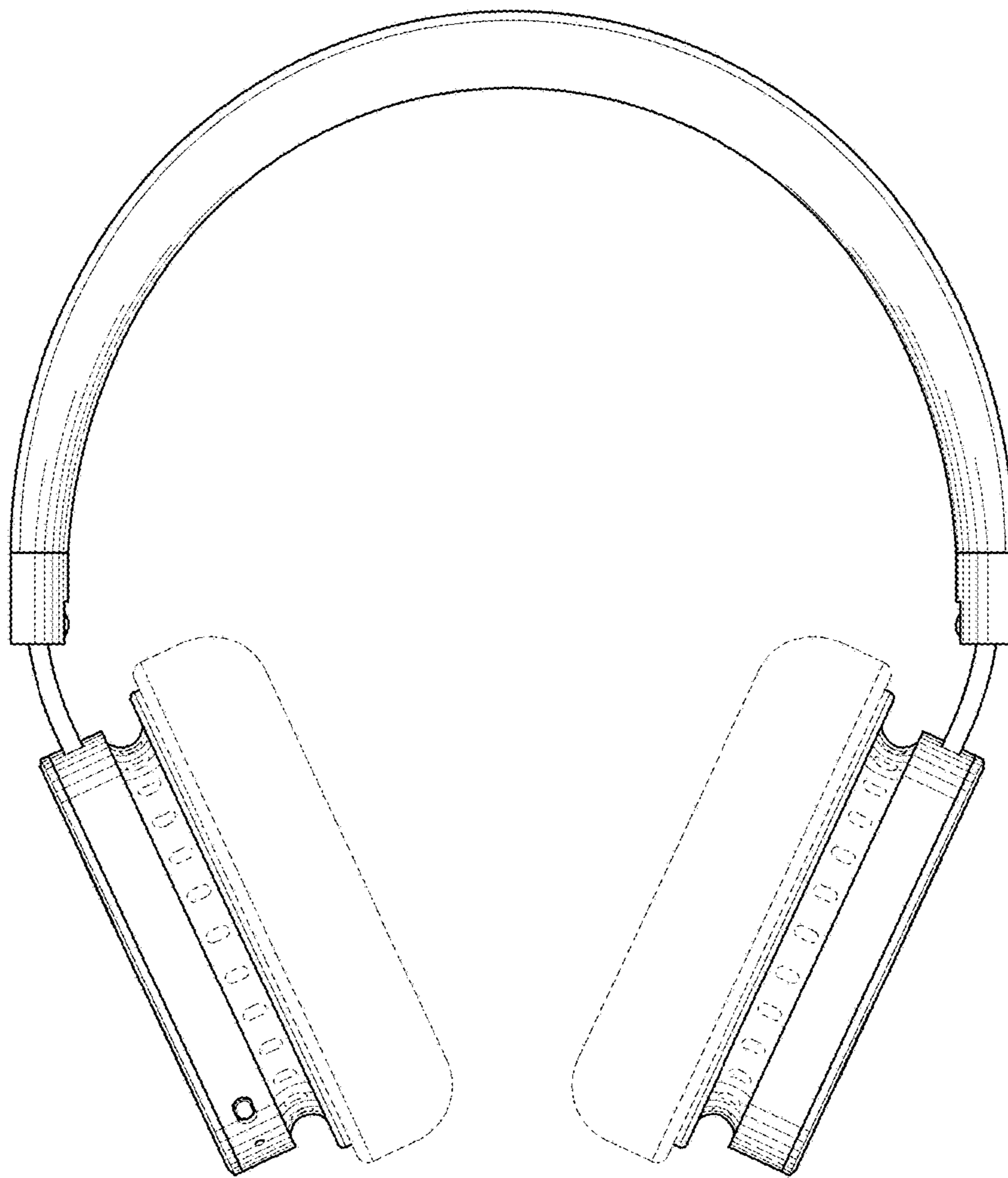


FIG. 3

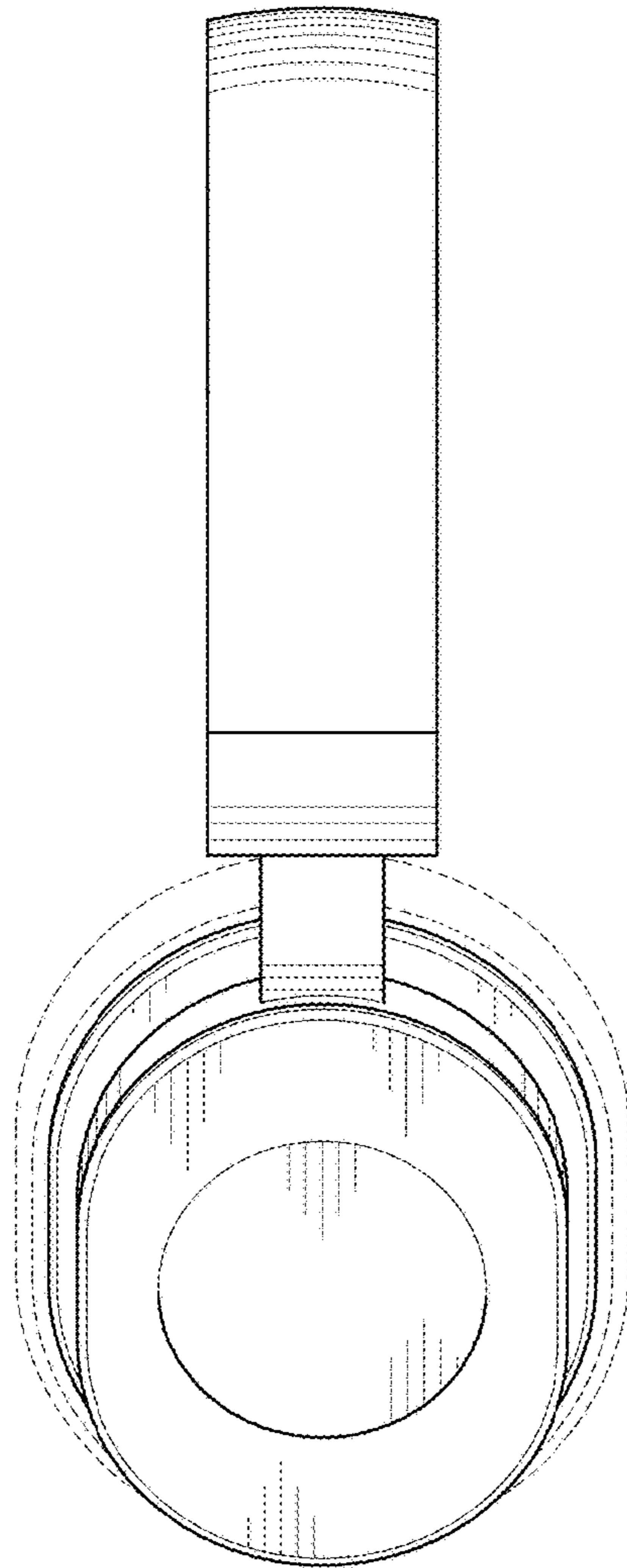


FIG. 4

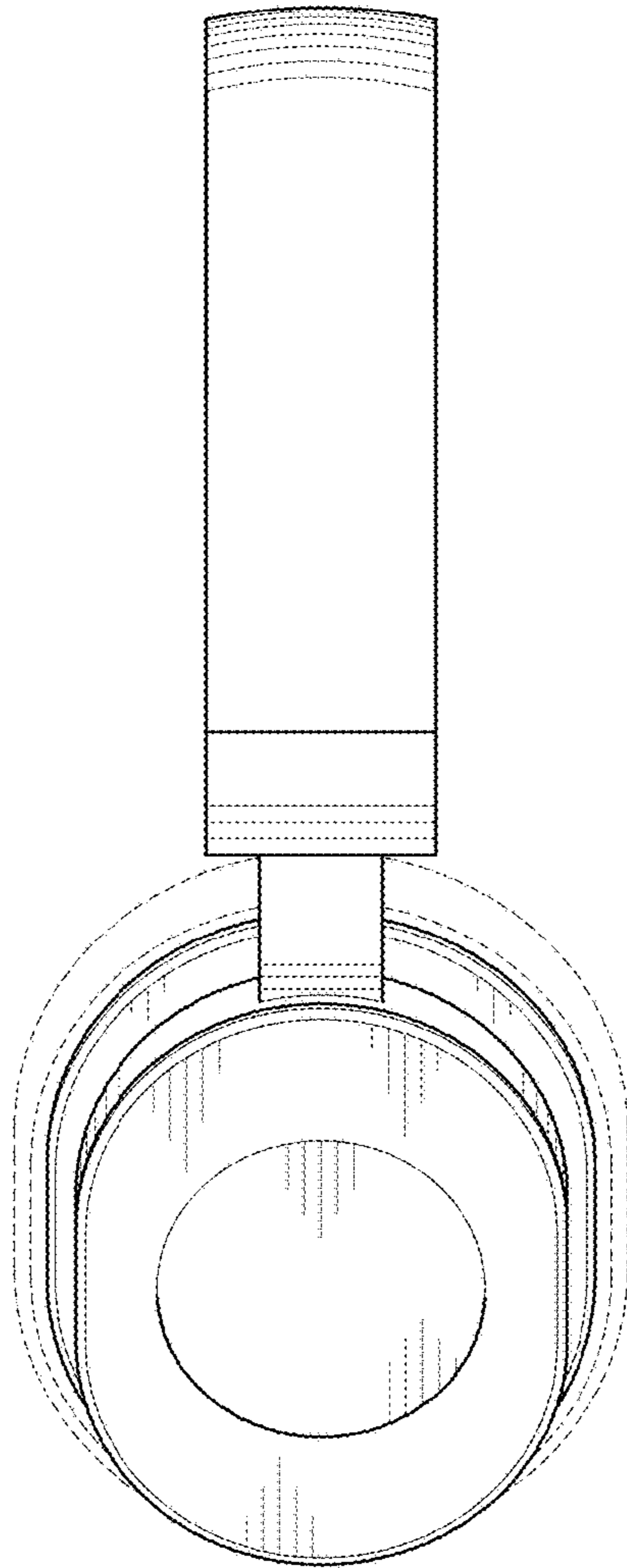


FIG. 5

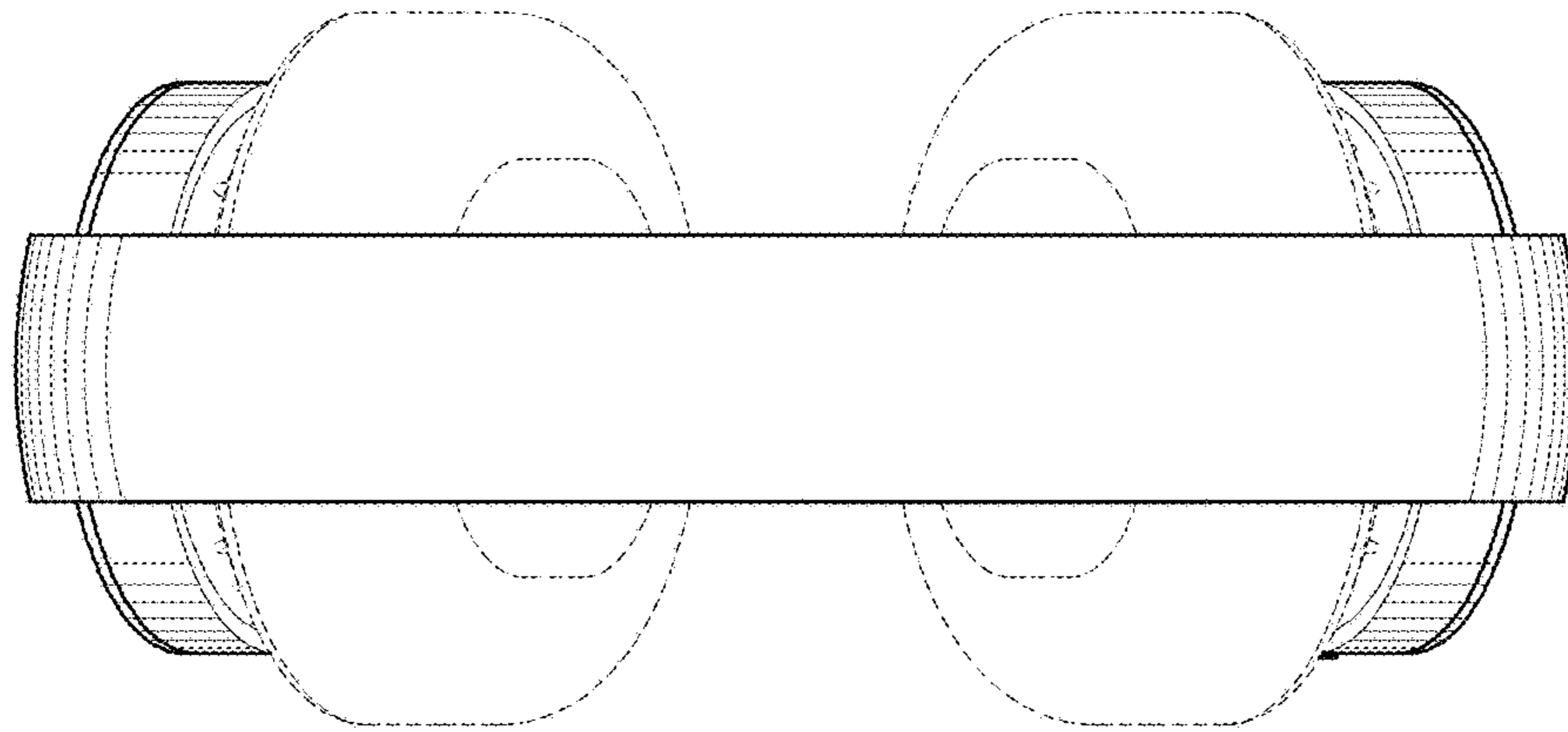


FIG. 6

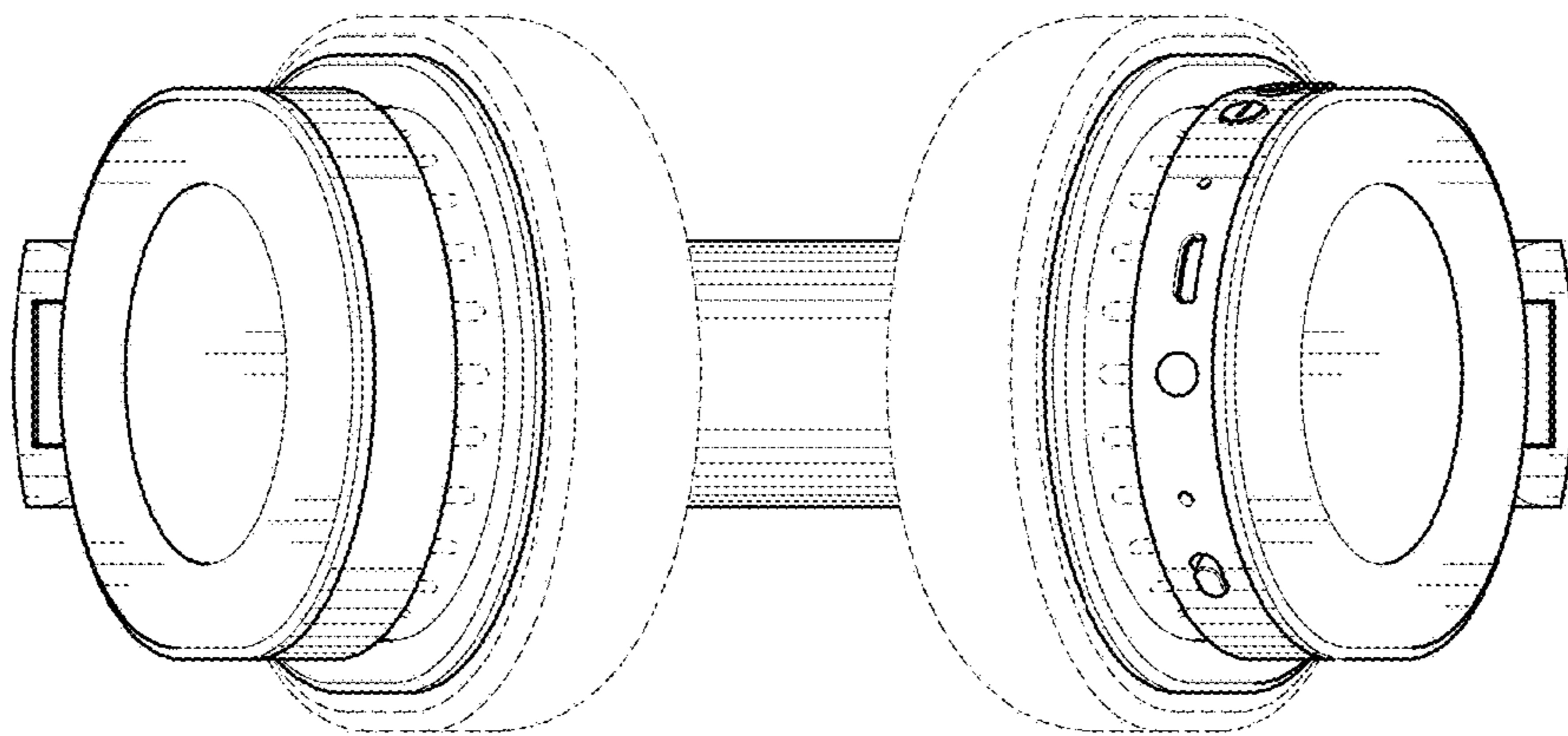


FIG. 7

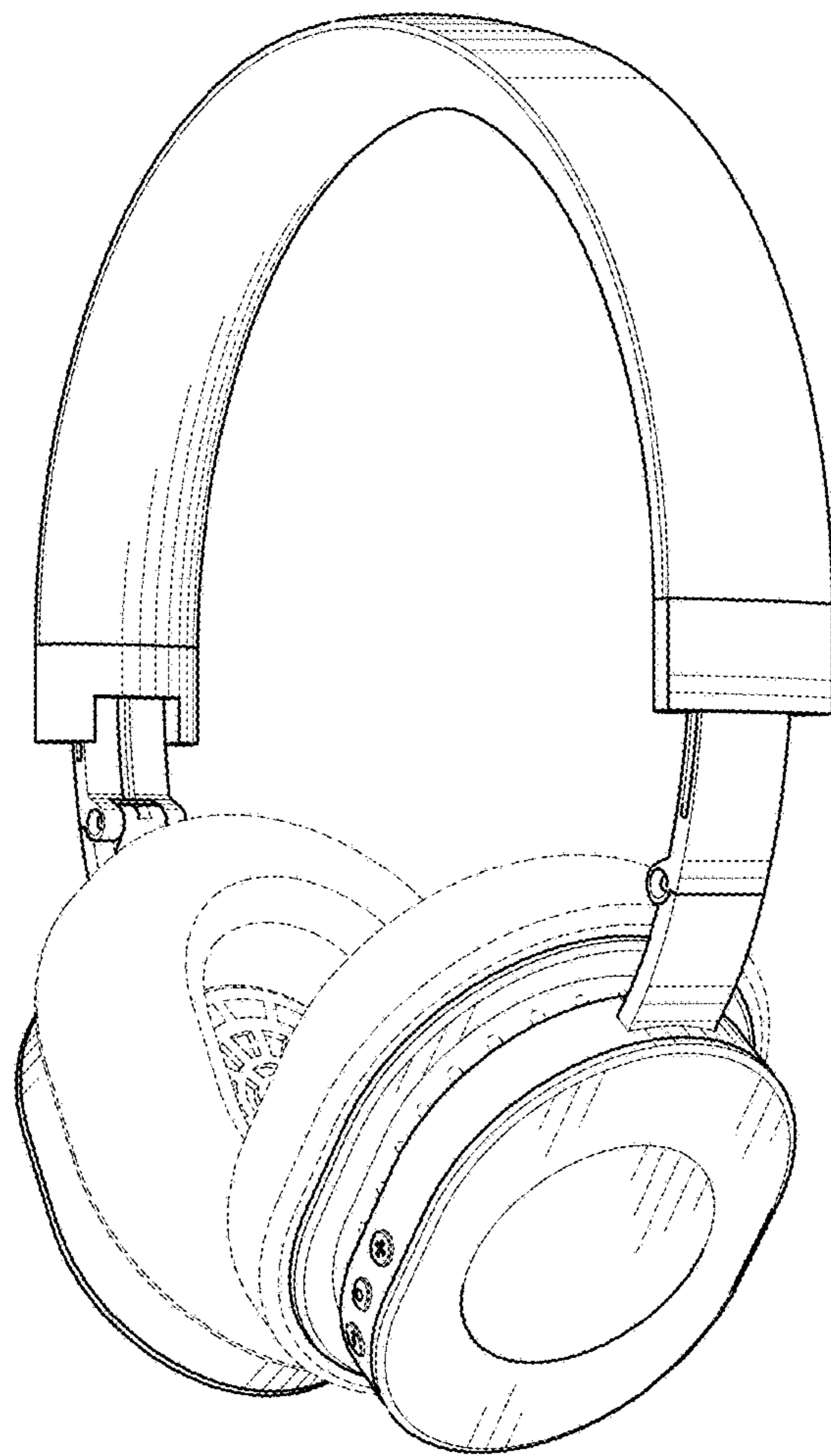


FIG. 8

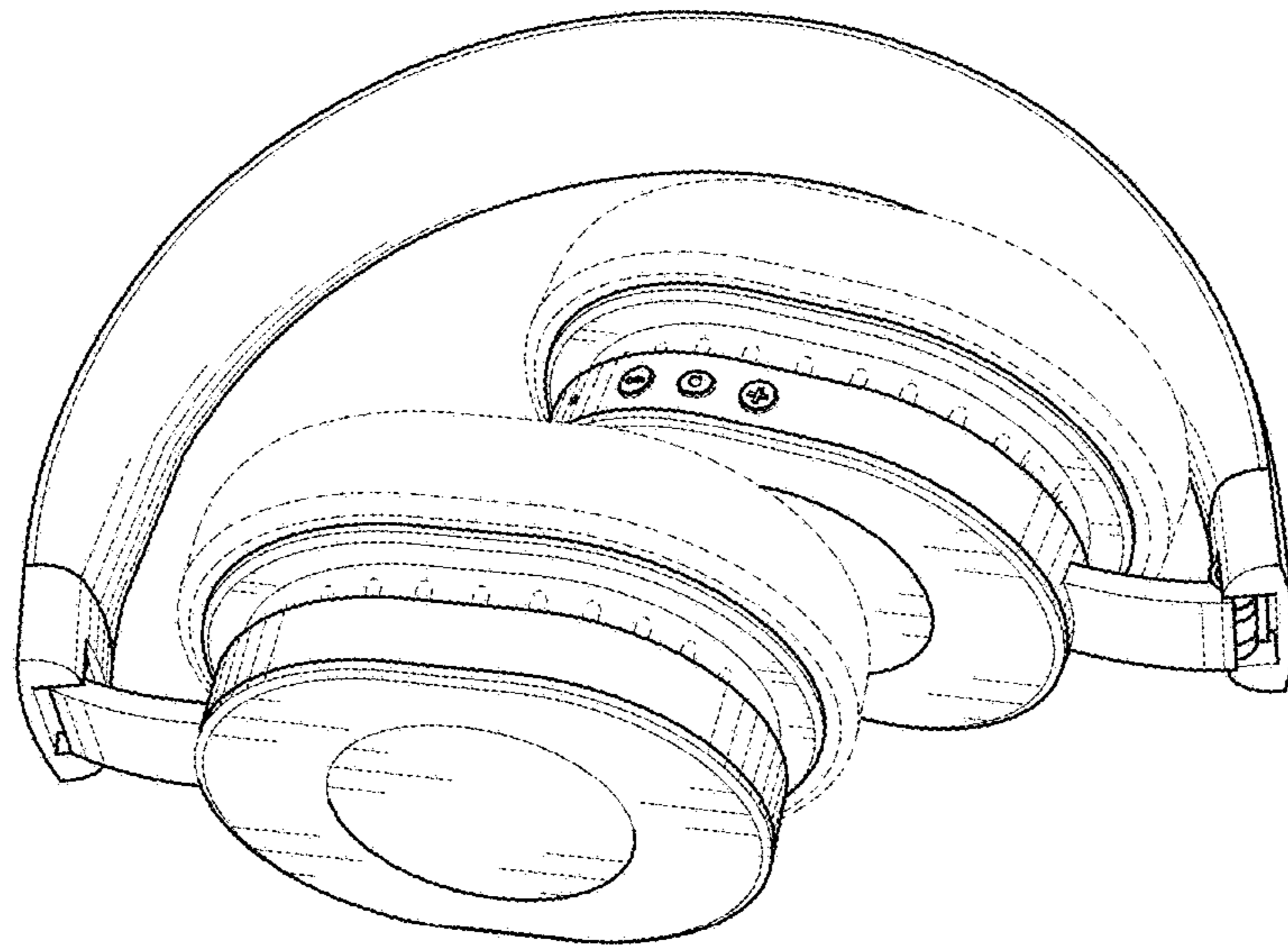


FIG. 9