



US00D860161S

(12) **United States Design Patent**
Xia

(10) **Patent No.:** **US D860,161 S**

(45) **Date of Patent:** **** Sep. 17, 2019**

- (54) **FOLDABLE HEADPHONE**
- (71) Applicant: **SHENZHEN JIUHU TECHNOLOGY CO., LIMITED.,** Shenzhen (CN)
- (72) Inventor: **Ji Xia,** Shenzhen (CN)
- (73) Assignee: **SHENZHEN JIUHU TECHNOLOGY CO., LIMITED,** Shenzhen (CN)
- (**) Term: **15 Years**
- (21) Appl. No.: **29/610,310**
- (22) Filed: **Jul. 11, 2017**
- (30) **Foreign Application Priority Data**
Jan. 11, 2017 (CN) 2017 3 0010801
- (51) **LOC (12) Cl.** **14-01**
- (52) **U.S. Cl.**
USPC **D14/205**
- (58) **Field of Classification Search**
USPC D14/205, 223; D29/112; 2/209;
181/129, 130, 135; 379/430, 431;
381/380, 381, 374; 455/90.3, 575.1,
455/569.1
CPC H04R 1/1066; H04R 1/1016; H04R 5/033;
H04R 5/0335; H04R 1/10; H04R 25/00
See application file for complete search history.

- (56) **References Cited**
U.S. PATENT DOCUMENTS
2,858,544 A * 11/1958 Roth A61F 11/14
128/866
3,053,944 A * 9/1962 Weeks H04R 1/1066
381/377
D193,936 S * 10/1962 Hawthorne D14/205
3,272,926 A * 9/1966 Falkenberg H04R 1/1008
381/370

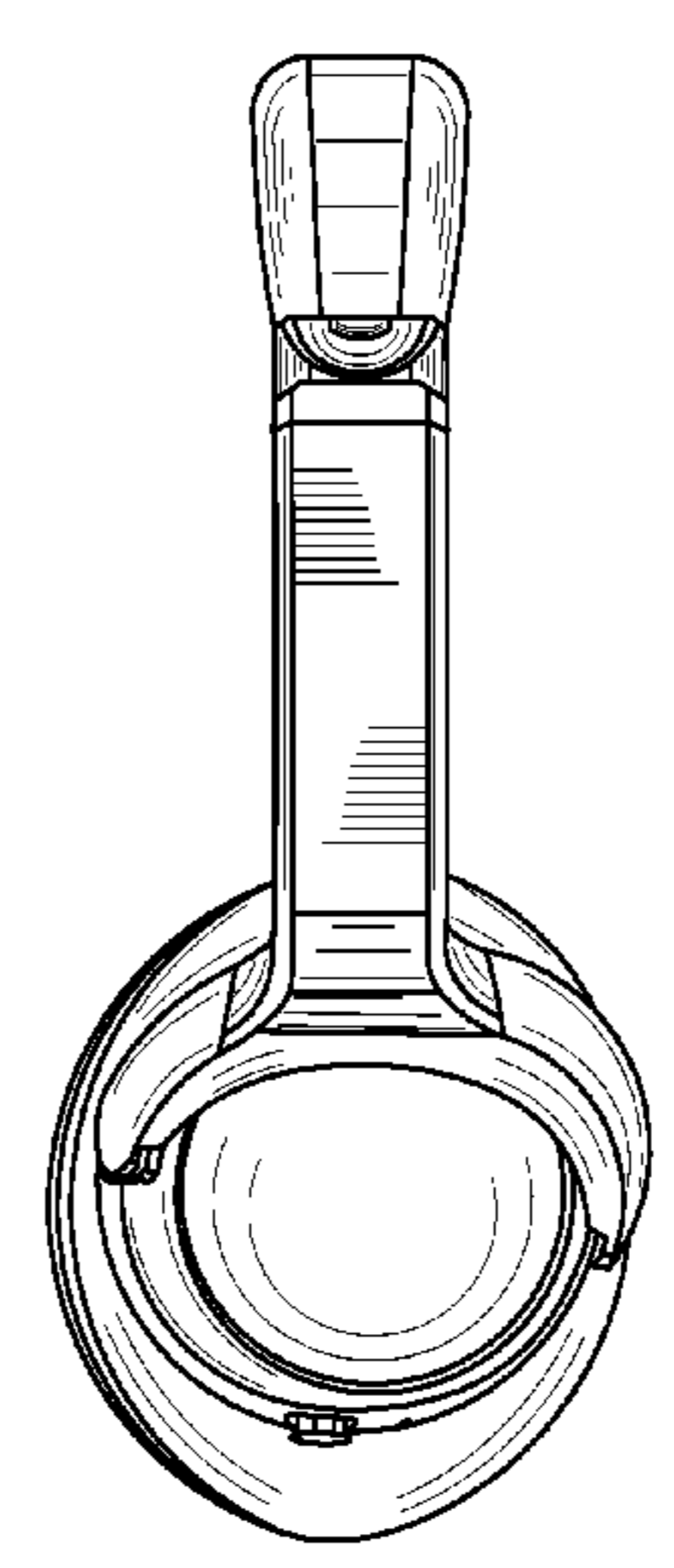
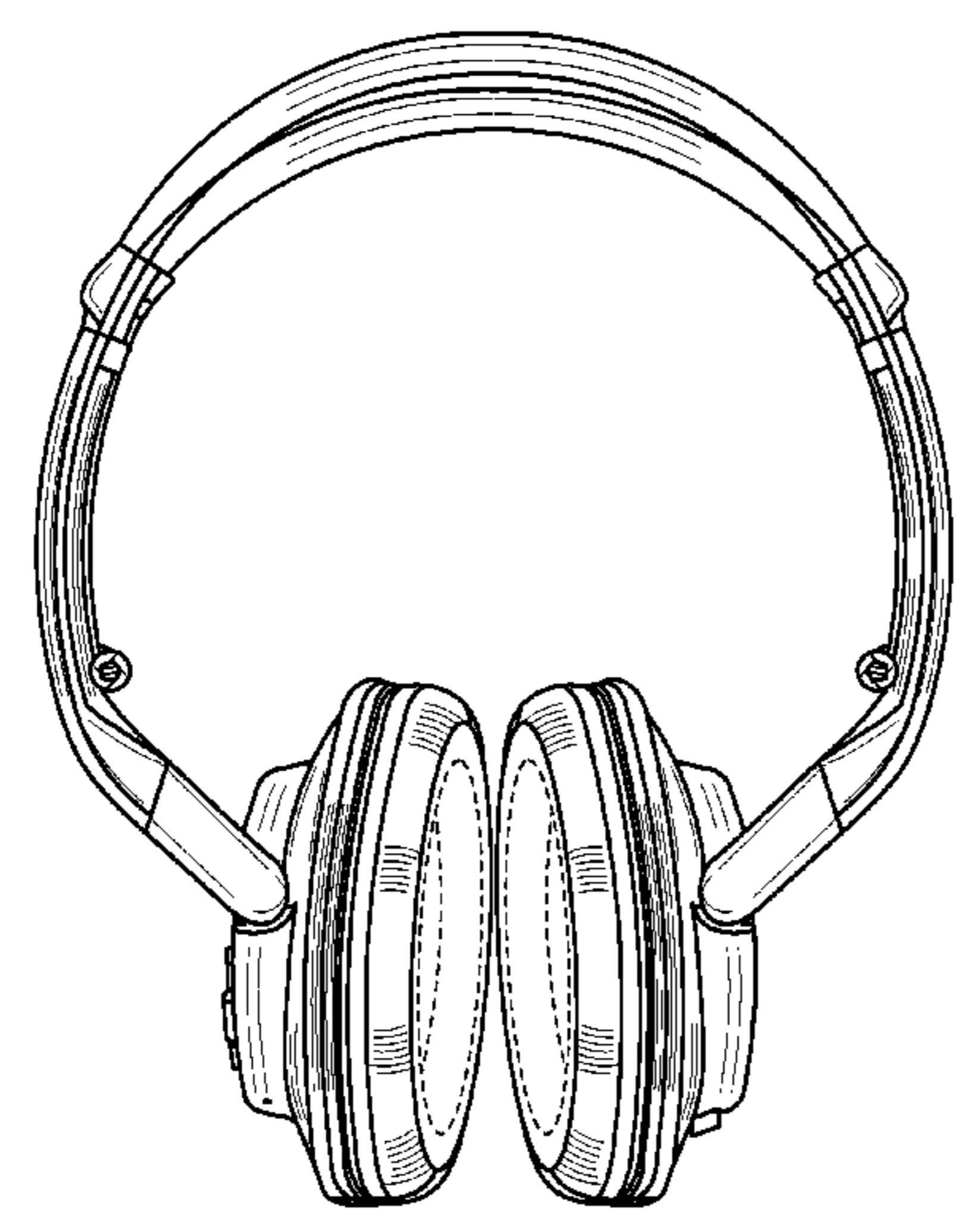
- 3,445,597 A * 5/1969 Walters H04M 1/05
379/430
 - 3,454,964 A * 7/1969 Brinkhoff A61F 11/14
2/209
 - 3,505,684 A * 4/1970 Hutchinson A61F 11/14
2/209
 - 3,579,640 A * 5/1971 Beguin et al. A61F 11/14
2/209
 - 3,644,939 A * 2/1972 Beguin A61F 11/14
2/209
 - D266,244 S * 9/1982 Hofer D14/205
 - 6,236,732 B1 * 5/2001 Griffith H04R 1/1008
381/370
 - 6,629,579 B1 * 10/2003 Hasegawa H04R 1/1066
181/129
 - 6,654,966 B2 * 12/2003 Rolla H04R 1/1066
2/209
 - D512,708 S * 12/2005 Harris, Jr. D14/205
- (Continued)

Primary Examiner — Paula Allen Greene
(74) *Attorney, Agent, or Firm* — Muncy, Geissler, Olds & Lowe, P.C.

(57) **CLAIM**
The ornamental design for a foldable headphone, as shown and described.

DESCRIPTION
FIG. 1 is a Front elevational view of a foldable headphone showing my new design;
FIG. 2 is a Rear elevational view thereof;
FIG. 3 is a Left side view thereof;
FIG. 4 is a Right side view thereof;
FIG. 5 is a Top plan view thereof;
FIG. 6 is a Bottom plan view thereof;
FIG. 7 is a Perspective view thereof;
FIG. 8 is a Rear elevational (folded state) view thereof; and,
FIG. 9 is a Perspective (folded state) view thereof.
The broken lines depict environment that forms no part of the claimed design.

1 Claim, 9 Drawing Sheets



(56)

References Cited

U.S. PATENT DOCUMENTS

6,993,143 B2 *	1/2006	Harris	H04R 1/1066	8,755,555 B2 *	6/2014	Dougherty	H04R 1/1066
				381/374					381/370
D538,261 S *	3/2007	Taylor	D14/205	D708,163 S *	7/2014	Ishikura	D14/205
D541,255 S *	4/2007	Taylor	D14/205	D709,050 S *	7/2014	Enquist	H04R 1/1008
D563,382 S *	3/2008	Wikel	D14/205					D14/205
D573,581 S *	7/2008	Gondo	D14/205	D710,822 S *	8/2014	Gan	H04R 1/1066
D581,394 S *	11/2008	Lee	D14/205					D14/205
D585,871 S *	2/2009	Lee	D14/205	D711,347 S *	8/2014	Gan	H04R 1/1066
D594,847 S *	6/2009	Suzuki	D14/205					D14/205
D597,070 S *	7/2009	Zheng	D14/205	D719,136 S *	12/2014	Schaal	D14/205
D600,674 S *	9/2009	Brennwald	D14/205	D721,052 S *	1/2015	Carr	D14/205
D616,865 S *	6/2010	Marchand	D14/205	D734,297 S *	7/2015	Sasaki	D14/205
D625,705 S *	10/2010	Ohori	D14/205	D737,799 S *	9/2015	Carr	D14/205
D635,958 S *	4/2011	Ando	D14/205	D741,289 S *	10/2015	Schaal	D14/205
D642,552 S *	8/2011	Schultz	D14/147	D741,290 S *	10/2015	Schaal	D14/205
8,098,872 B2 *	1/2012	Chang	H04R 1/1075	D746,790 S *	1/2016	Strasberg	D14/205
				381/370	D758,337 S *	6/2016	Szymanski	D14/205
D657,346 S *	4/2012	Park	D14/205	D761,761 S *	7/2016	Ando	D14/205
D662,080 S *	6/2012	Carr	D14/205	D765,055 S *	8/2016	Hsieh	D14/205
D665,775 S *	8/2012	Katsumata	D14/205	D783,572 S *	4/2017	Matthews	D14/205
D669,450 S *	10/2012	Katsumata	D14/205	D787,470 S *	5/2017	Kelly	D14/205
D669,451 S *	10/2012	Tappeiner	D14/205	D800,691 S *	10/2017	Ando	D14/205
8,325,962 B2 *	12/2012	Ishida	H04R 5/0335	9,866,946 B2 *	1/2018	Chen	H04B 1/385
				381/370	2004/0125977 A1 *	7/2004	Hong	H04R 1/1033
D673,519 S *	1/2013	Tan	D14/205					381/376
D683,327 S *	5/2013	Dougherty	D14/205	2005/0238189 A1 *	10/2005	Tsai	H04R 1/1075
D683,329 S *	5/2013	Hagelin	D14/205					381/309
D690,284 S *	9/2013	Brennwald	D14/205	2008/0069391 A1 *	3/2008	Steyn	H04R 1/1025
D697,896 S *	1/2014	Lee	D14/205					381/371
D705,750 S *	5/2014	Wu	H04R 1/1066	2009/0110226 A1 *	4/2009	Ishida	H04R 1/1008
				D14/205					381/370
					2014/0363016 A1 *	12/2014	Blonder	H04R 1/1025
									381/74

* cited by examiner

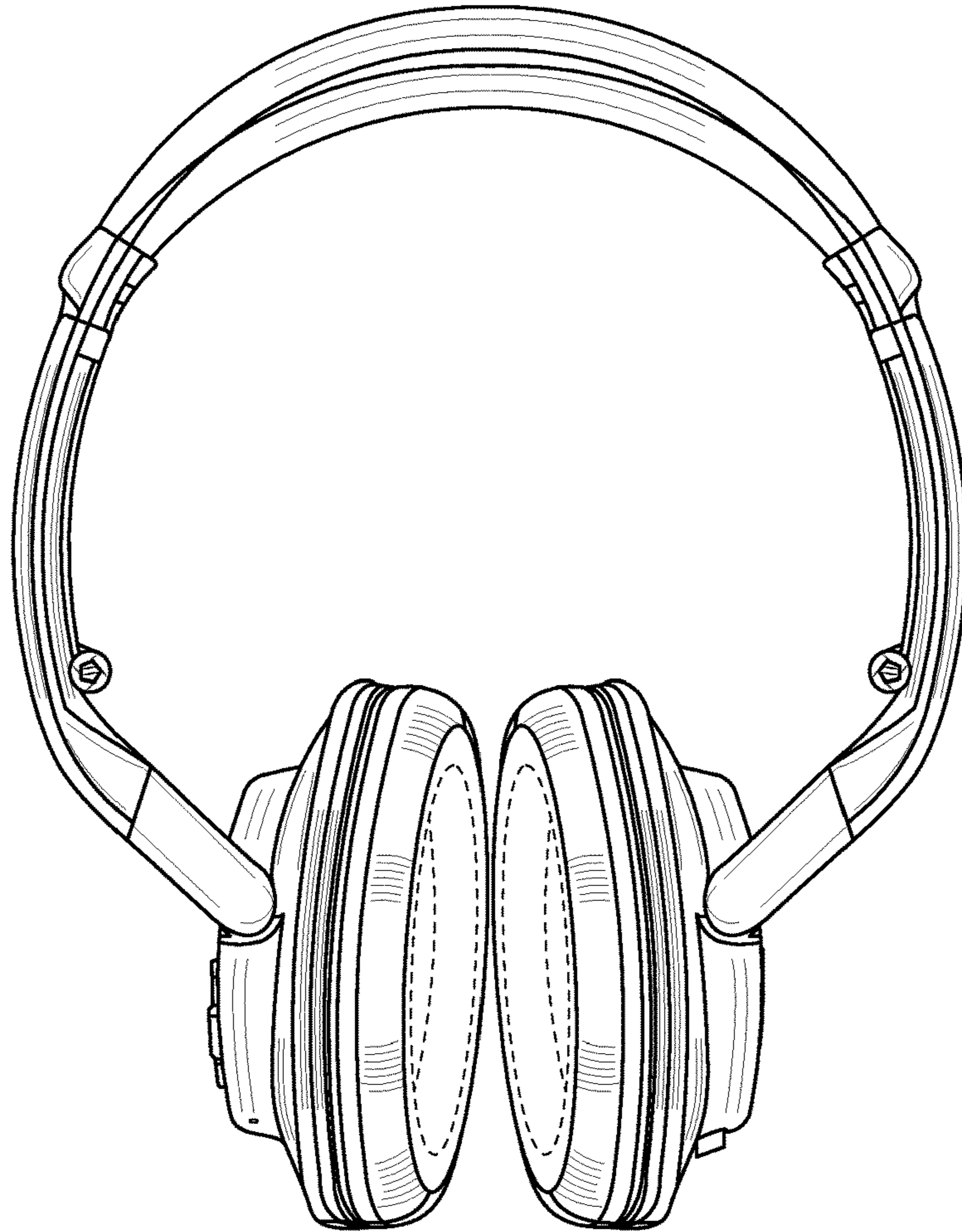


FIG. 1

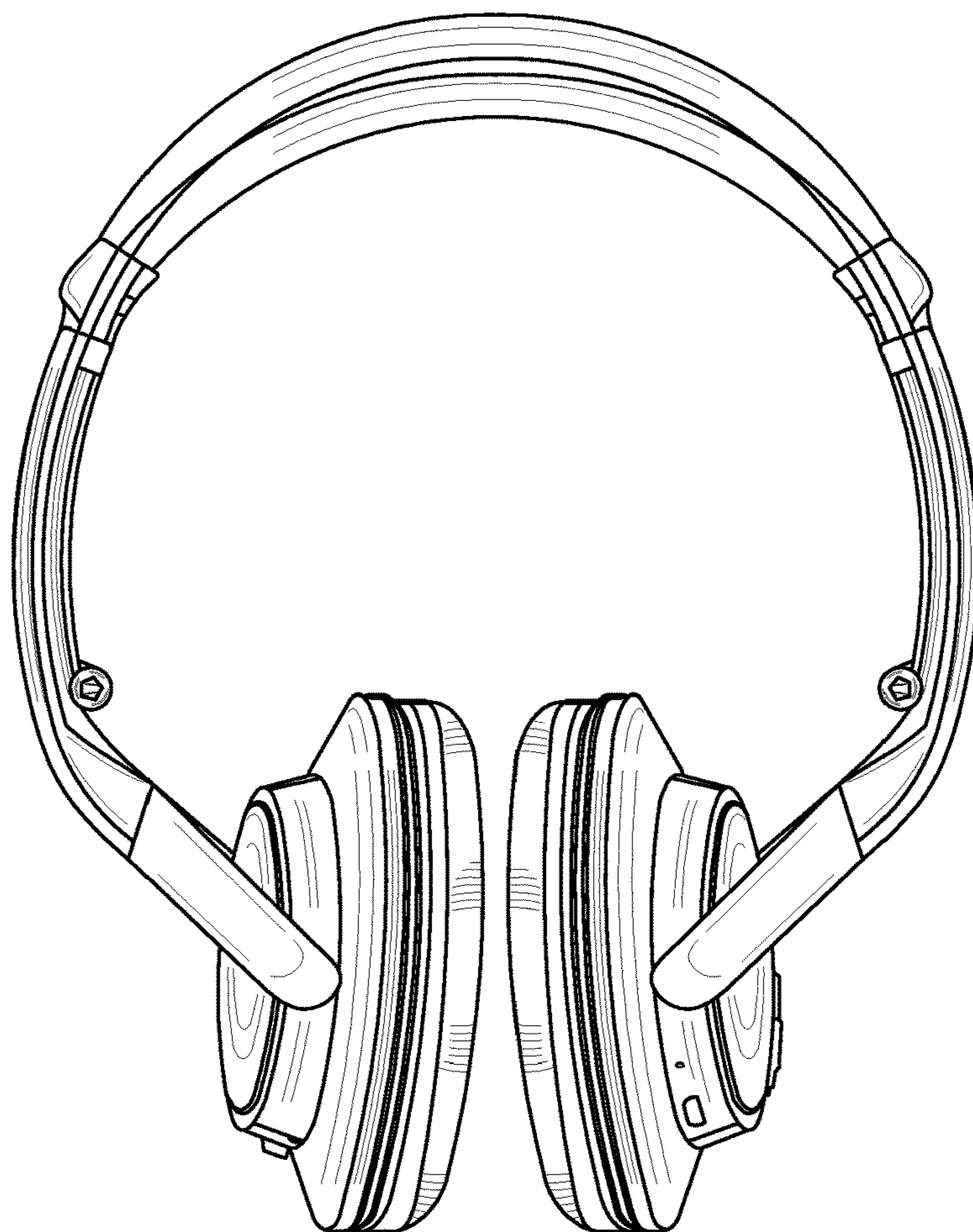


FIG. 2

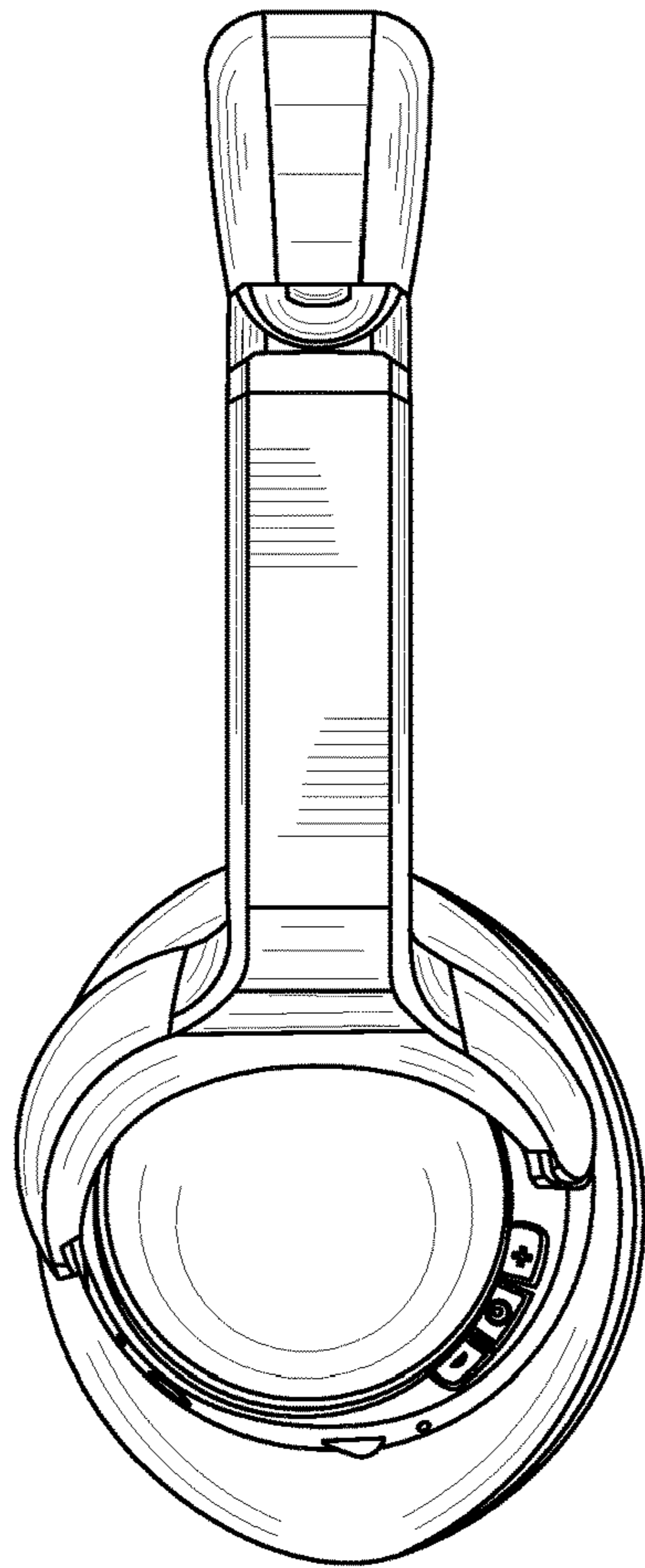


FIG. 3

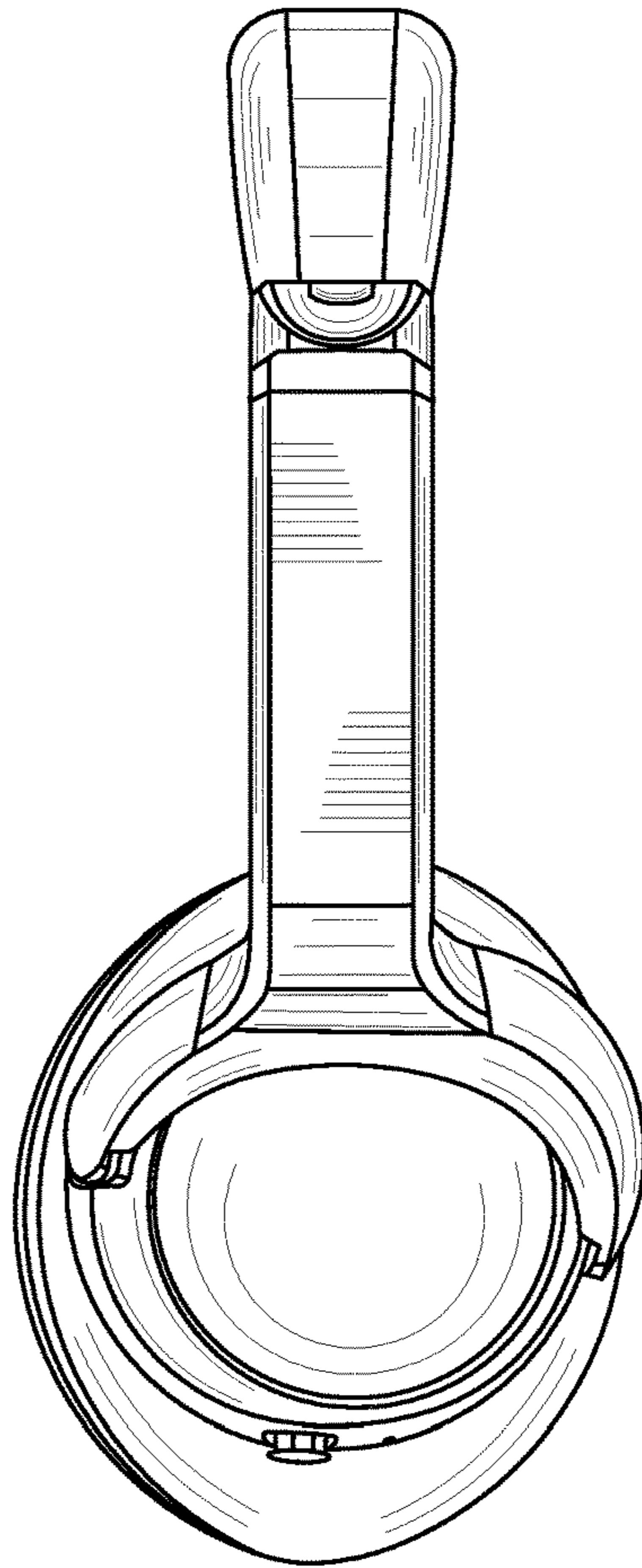


FIG. 4

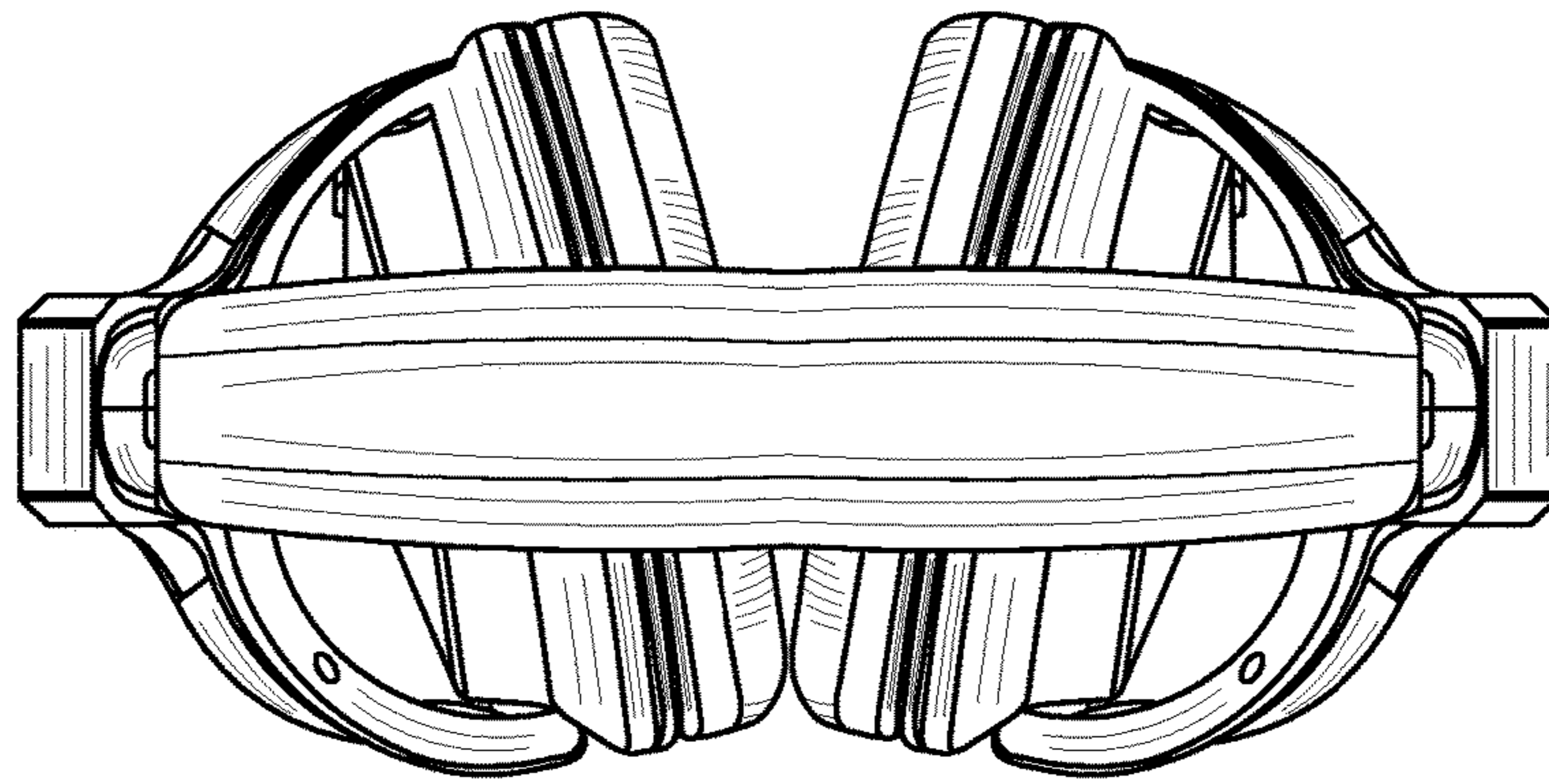


FIG. 5

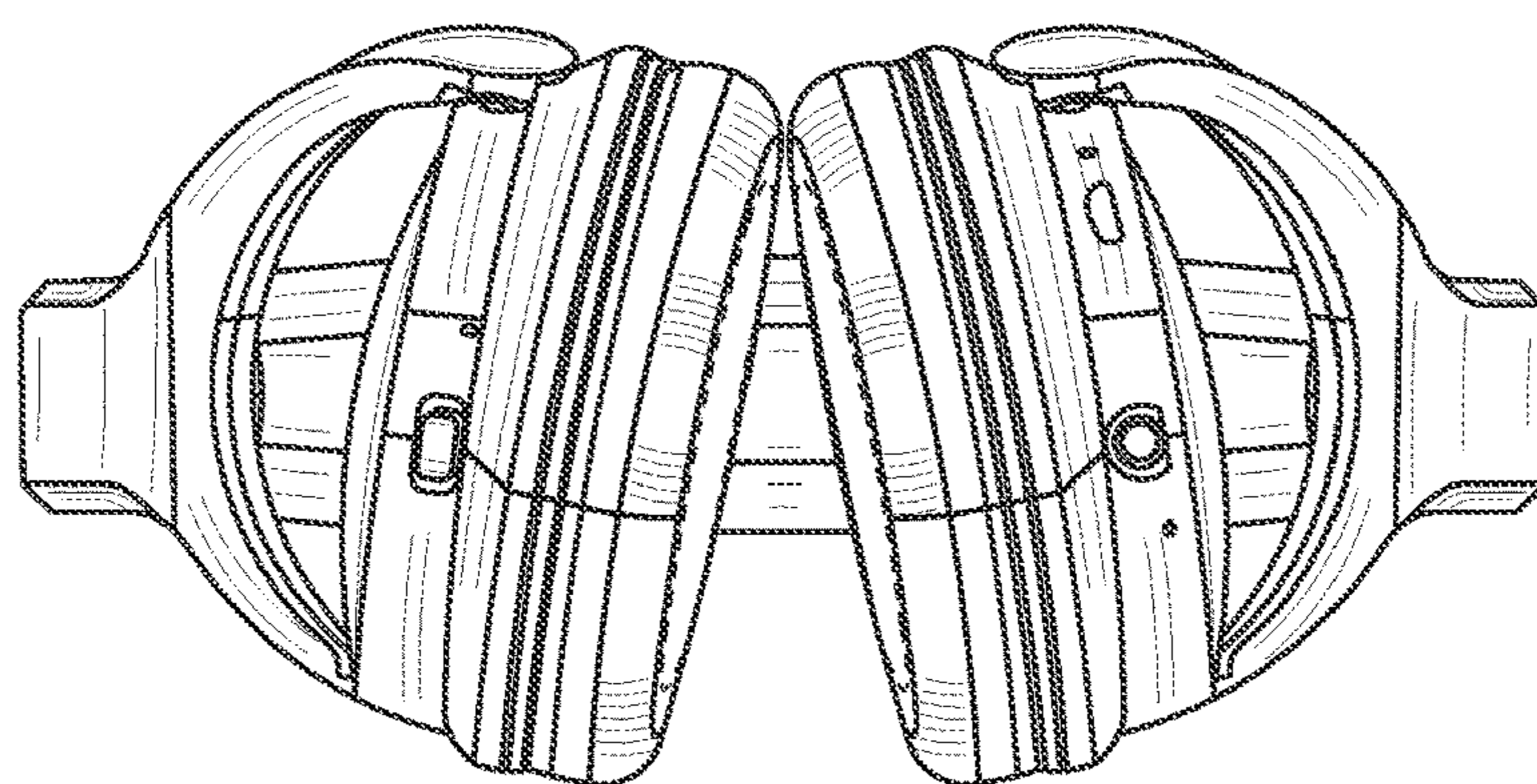


FIG. 6



FIG. 7

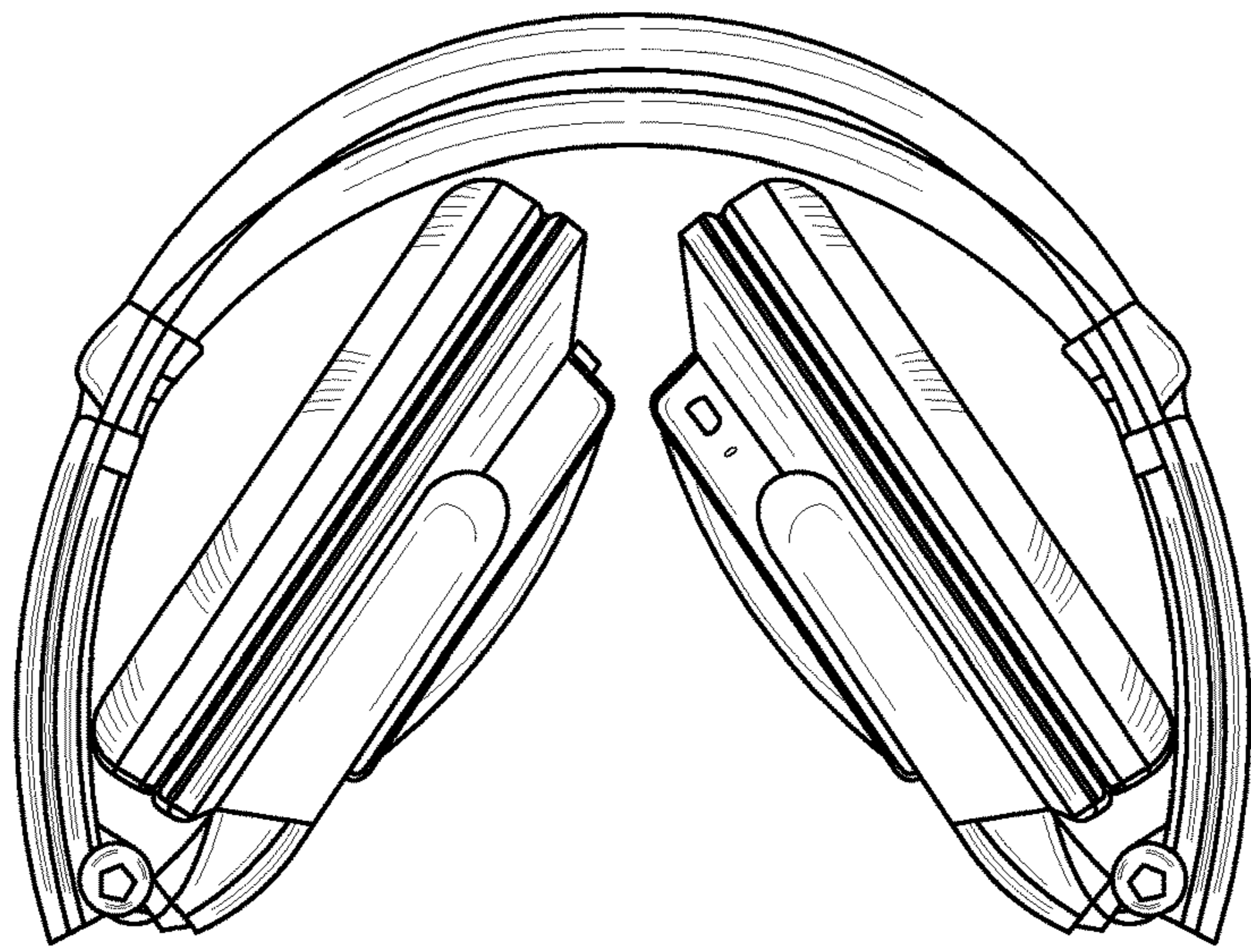


FIG. 8

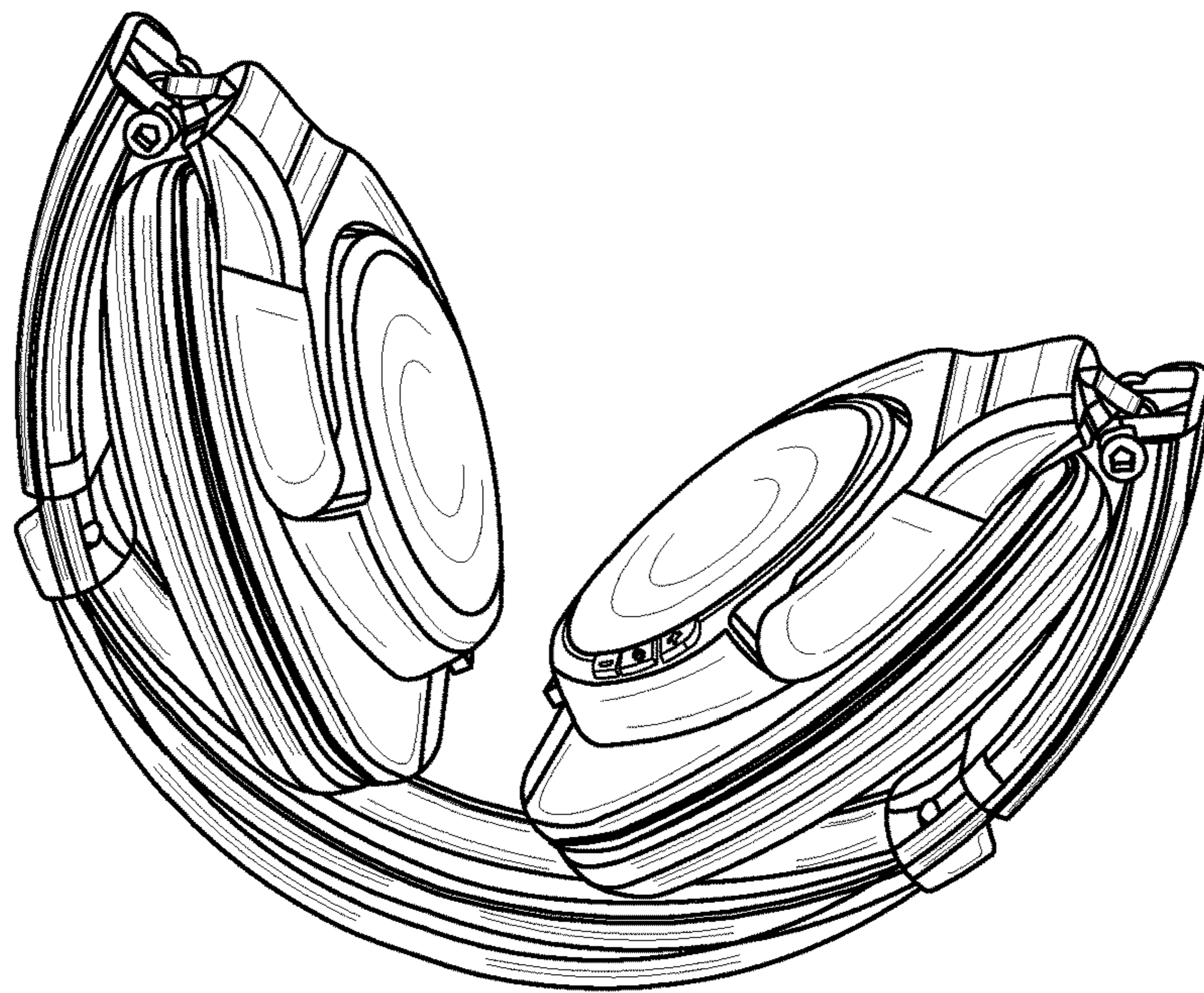


FIG. 9