



US00D860156S

(12) **United States Design Patent**
Omura

(10) **Patent No.:** **US D860,156 S**

(45) **Date of Patent:** **** Sep. 17, 2019**

(54) **SHIPBOARD DIGITAL AUDIO PLAYER**

(56) **References Cited**

(71) Applicant: **CLARION CO., LTD.**, Saitama-shi,
Saitama (JP)

(72) Inventor: **Tatsuya Omura**, Saitama (JP)

(73) Assignee: **CLARION CO., LTD.**, Saitama (JP)

(**) Term: **15 Years**

(21) Appl. No.: **29/645,261**

(22) Filed: **Apr. 24, 2018**

(30) **Foreign Application Priority Data**

Oct. 27, 2017 (JP) 2017-023958

(51) **LOC (12) Cl.** **14-01**

(52) **U.S. Cl.**
USPC **D14/157**

(58) **Field of Classification Search**
USPC D12/192, 195, 415, 420; D14/154, 157,
D14/168-171, 188-198, 257-258, 496;
248/27.1, 27.3, 558; 455/347, 350
CPC B60R 11/02; B60K 37/02; B60K 37/04;
B60K 37/06; B60K 35/00; H04B 1/06;
H04B 1/08; H04B 1/082

See application file for complete search history.

U.S. PATENT DOCUMENTS

D444,146 S *	6/2001	Weiland	D14/258
D475,690 S *	6/2003	Nose	D14/157
D561,753 S *	2/2008	Riede	D14/257
D594,452 S *	6/2009	Katsuno	D14/157
D608,340 S *	1/2010	Nishizawa	D14/258
D671,519 S *	11/2012	Kanou	D14/157
D742,369 S *	11/2015	Nishizawa	D14/257

* cited by examiner

Primary Examiner — Sandra L Morris

(74) *Attorney, Agent, or Firm* — McDermott Will &
Emery LLP

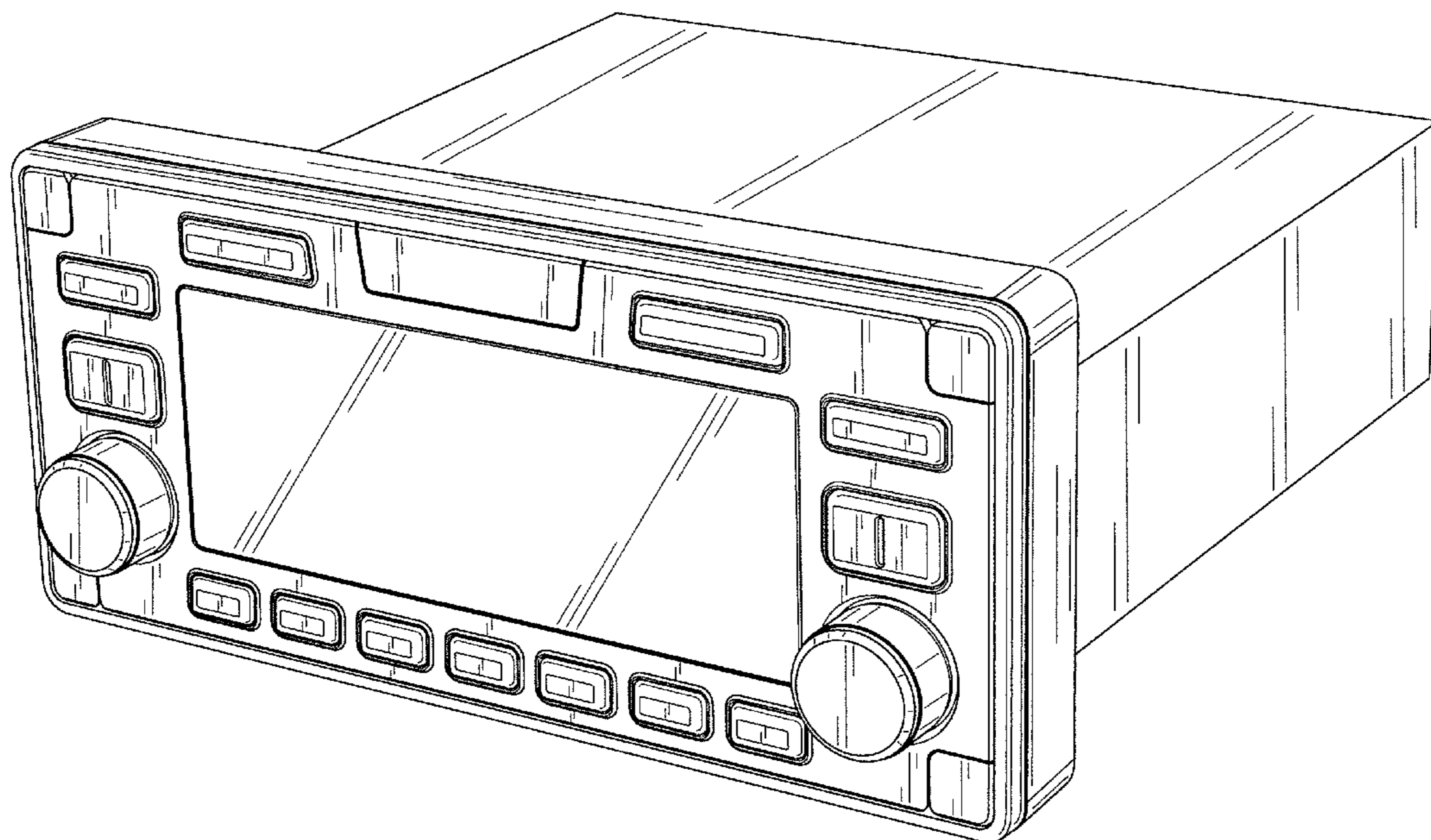
(57) **CLAIM**

The ornamental design for a shipboard digital audio player,
as shown and described.

DESCRIPTION

FIG. 1 is a perspective view of a shipboard digital audio
player showing my new design;
FIG. 2 is a front view thereof;
FIG. 3 is a rear view thereof;
FIG. 4 is a left-side view thereof;
FIG. 5 is a right-side view thereof;
FIG. 6 is a top view thereof; and,
FIG. 7 is a bottom view thereof.

1 Claim, 7 Drawing Sheets



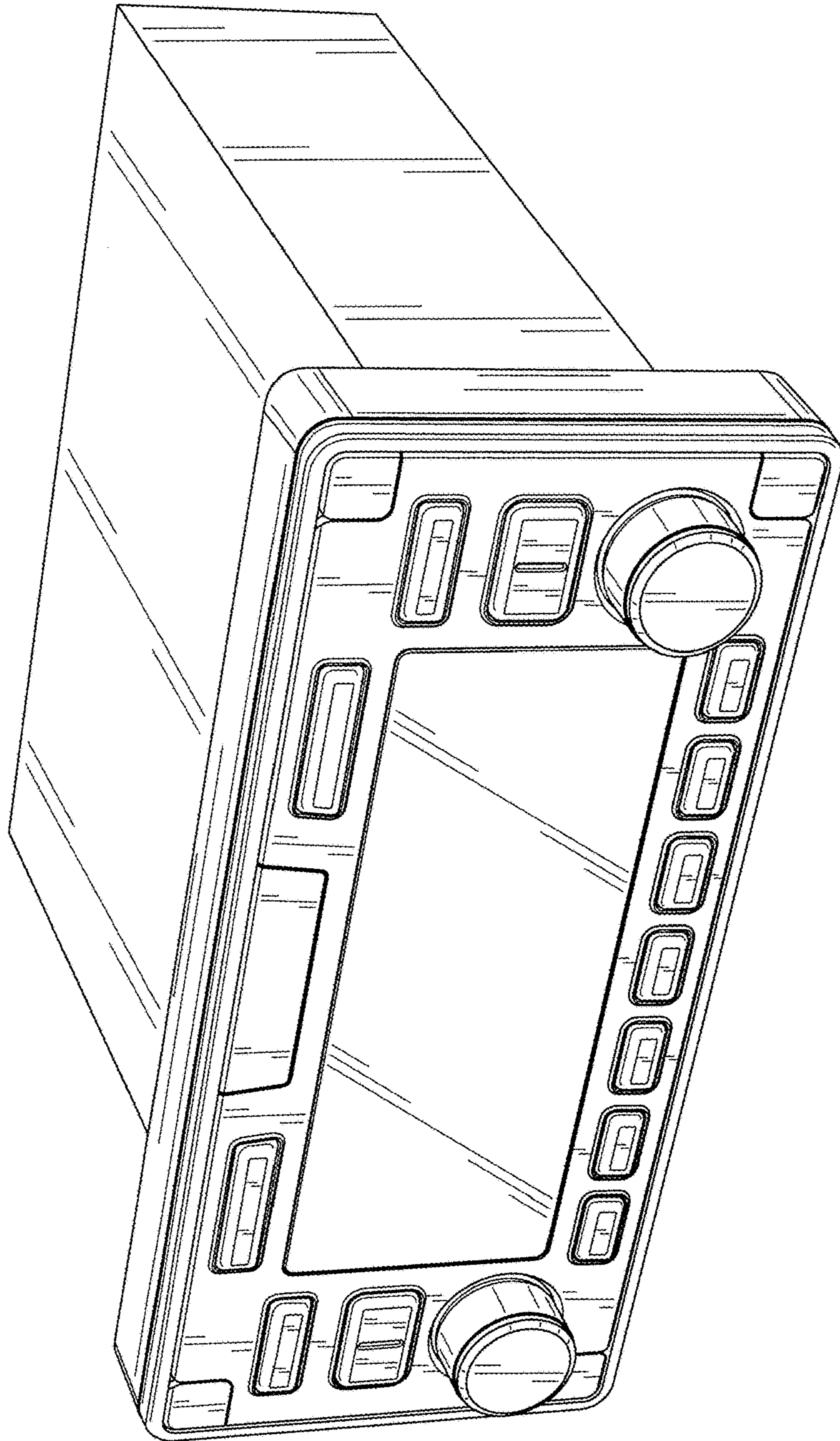


FIG. 1

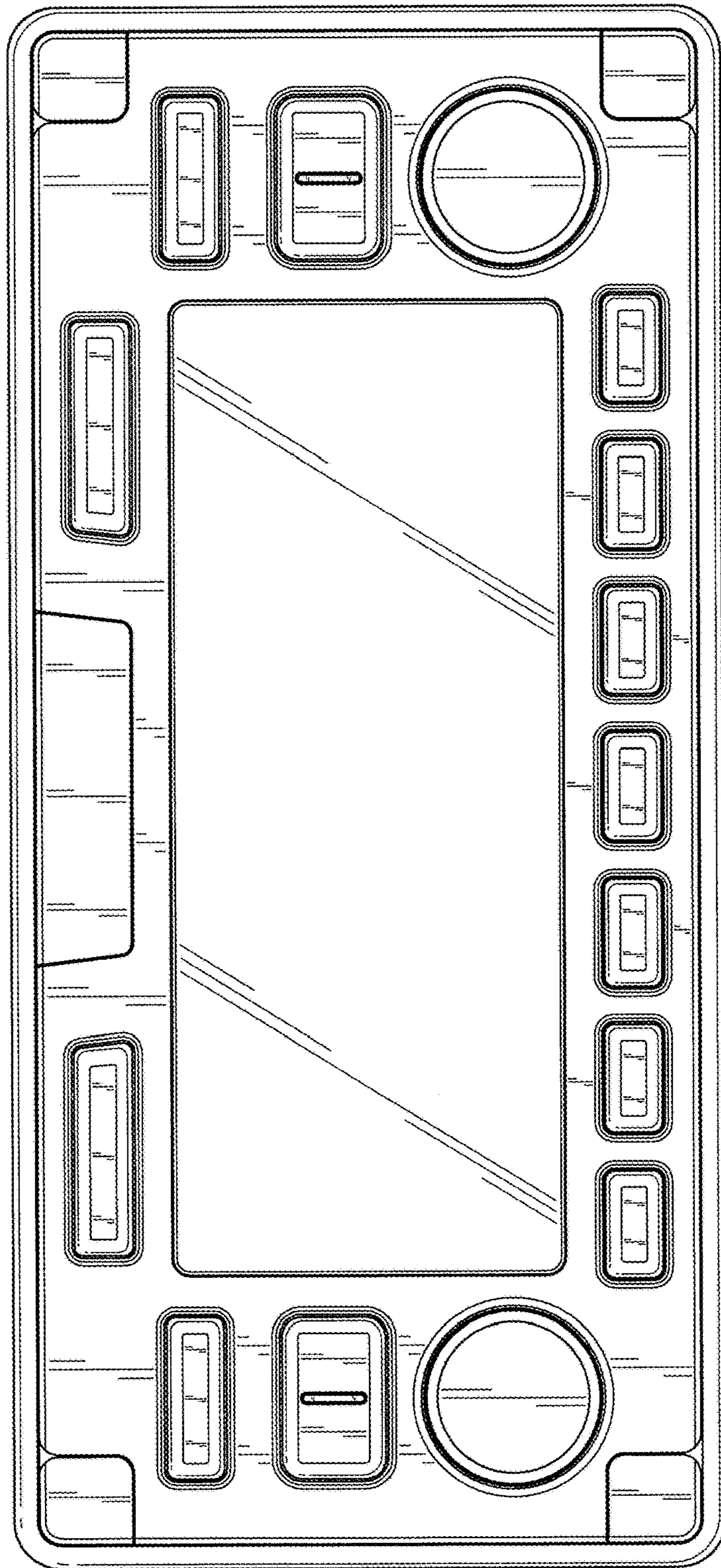


FIG. 2

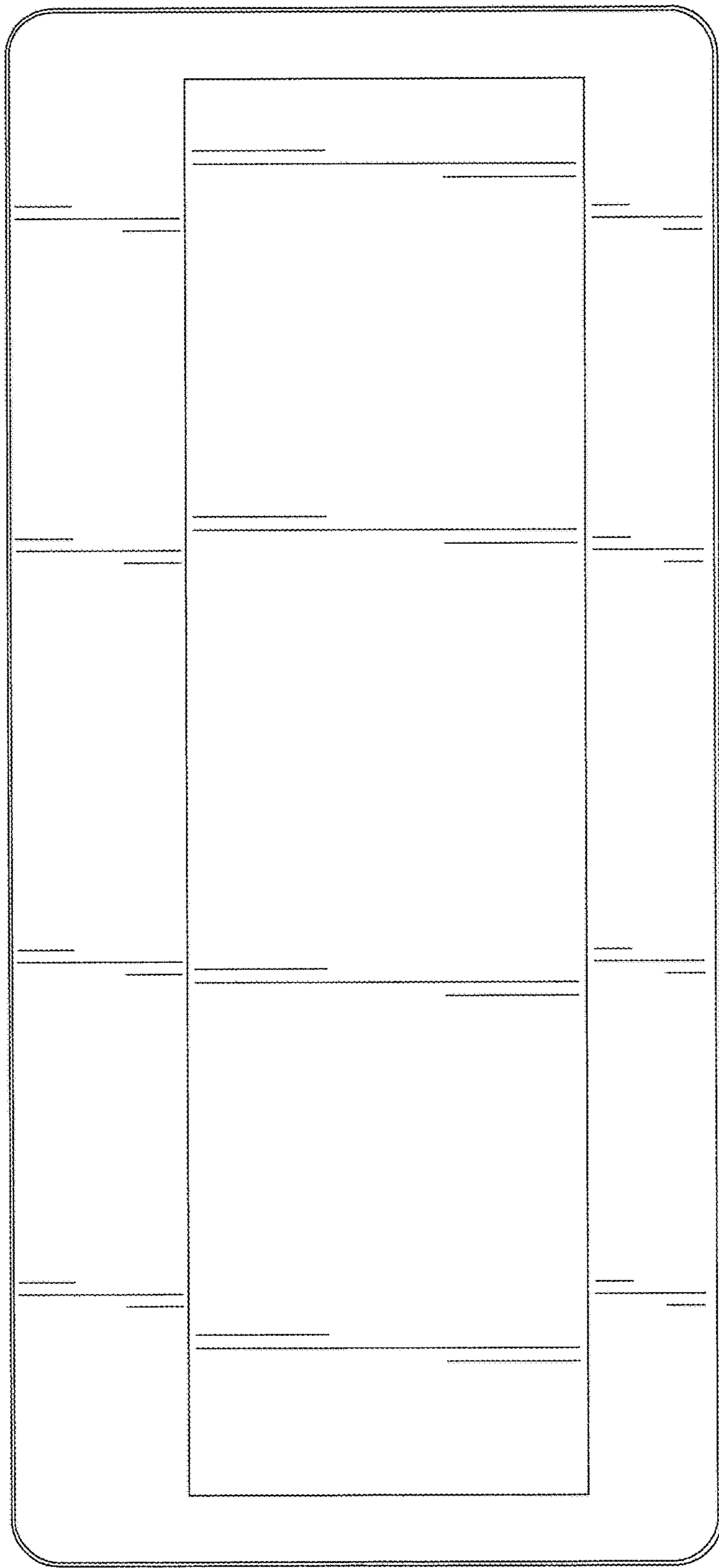


FIG. 3

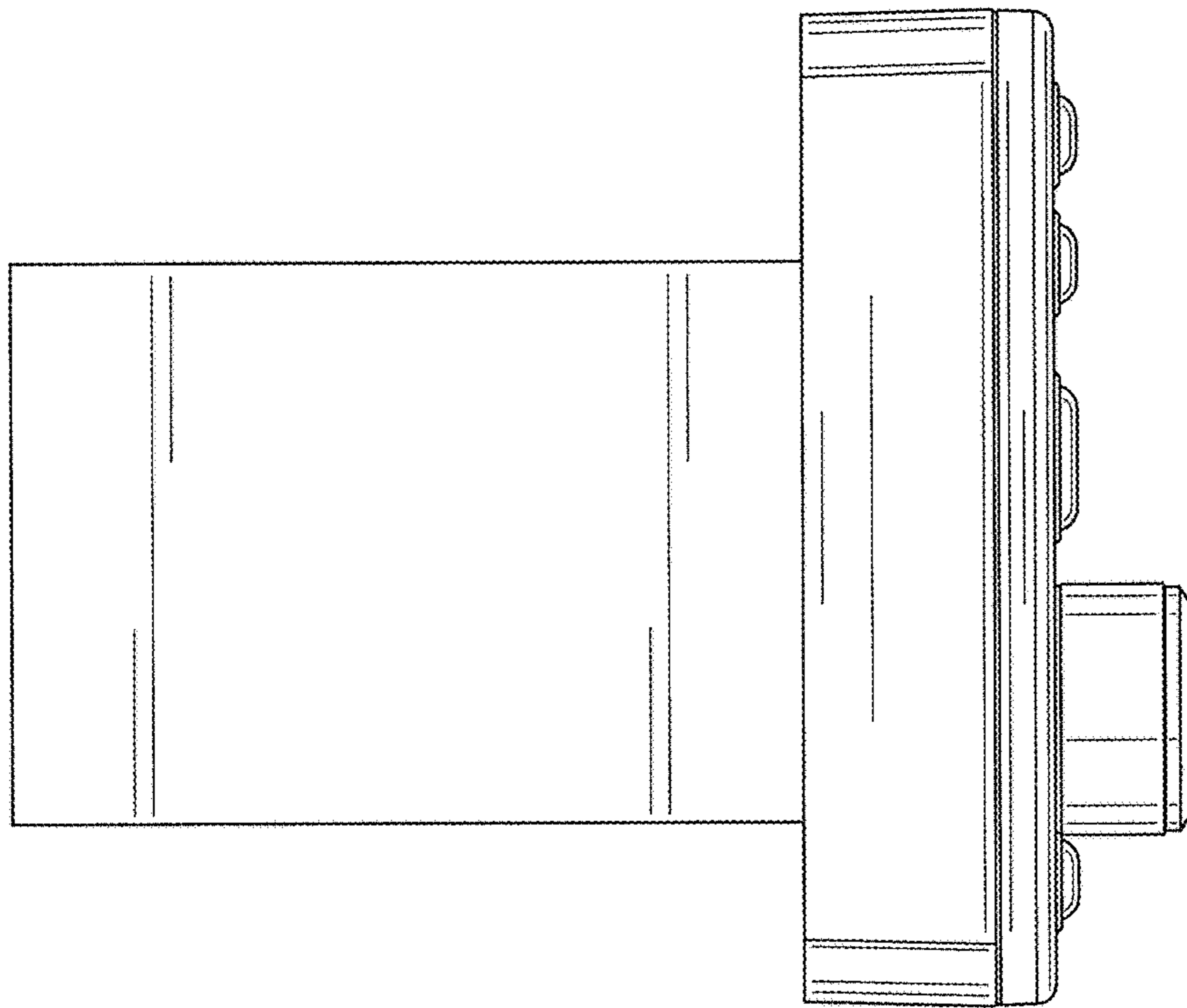


FIG. 4

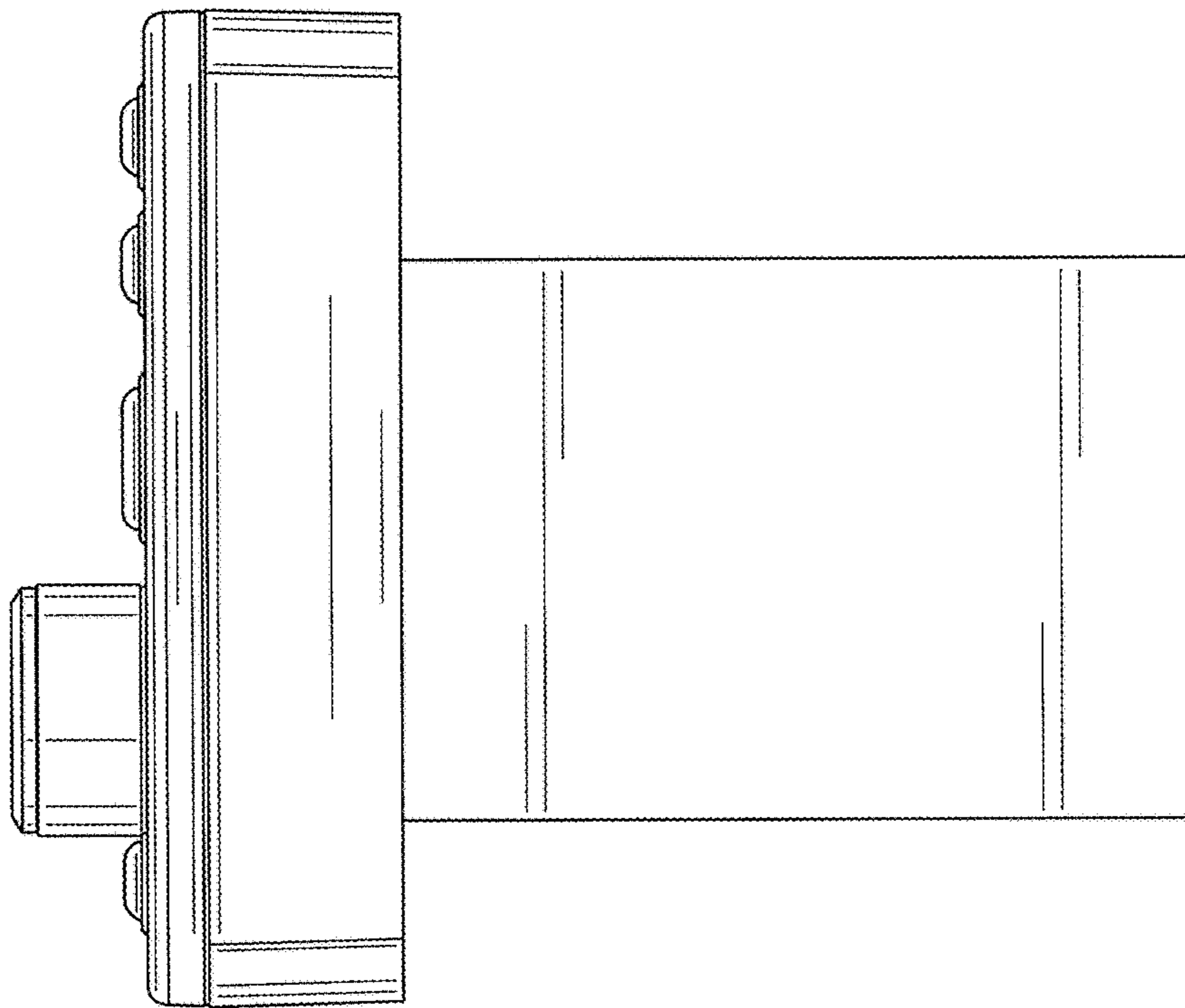


FIG. 5

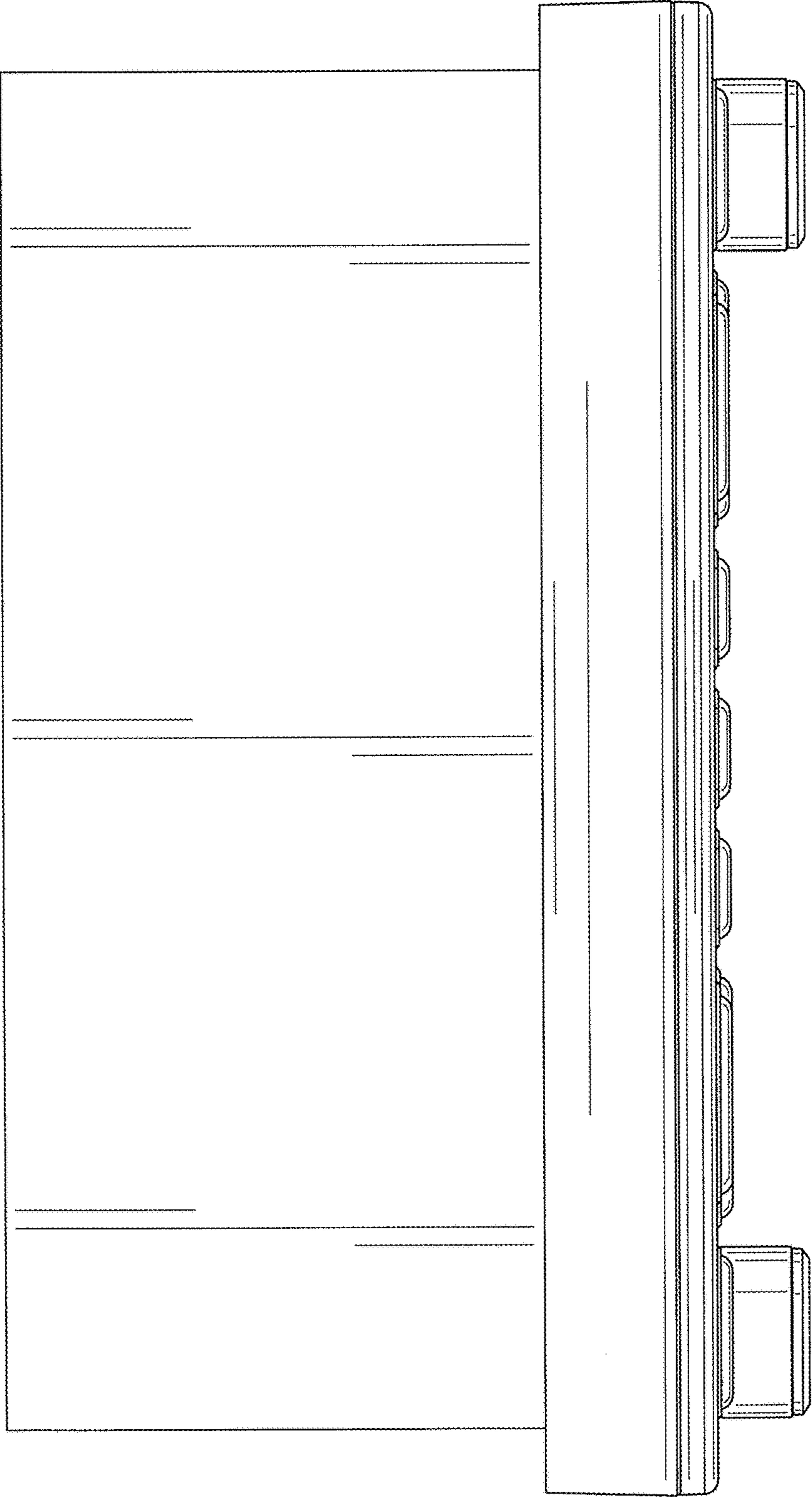


FIG. 6

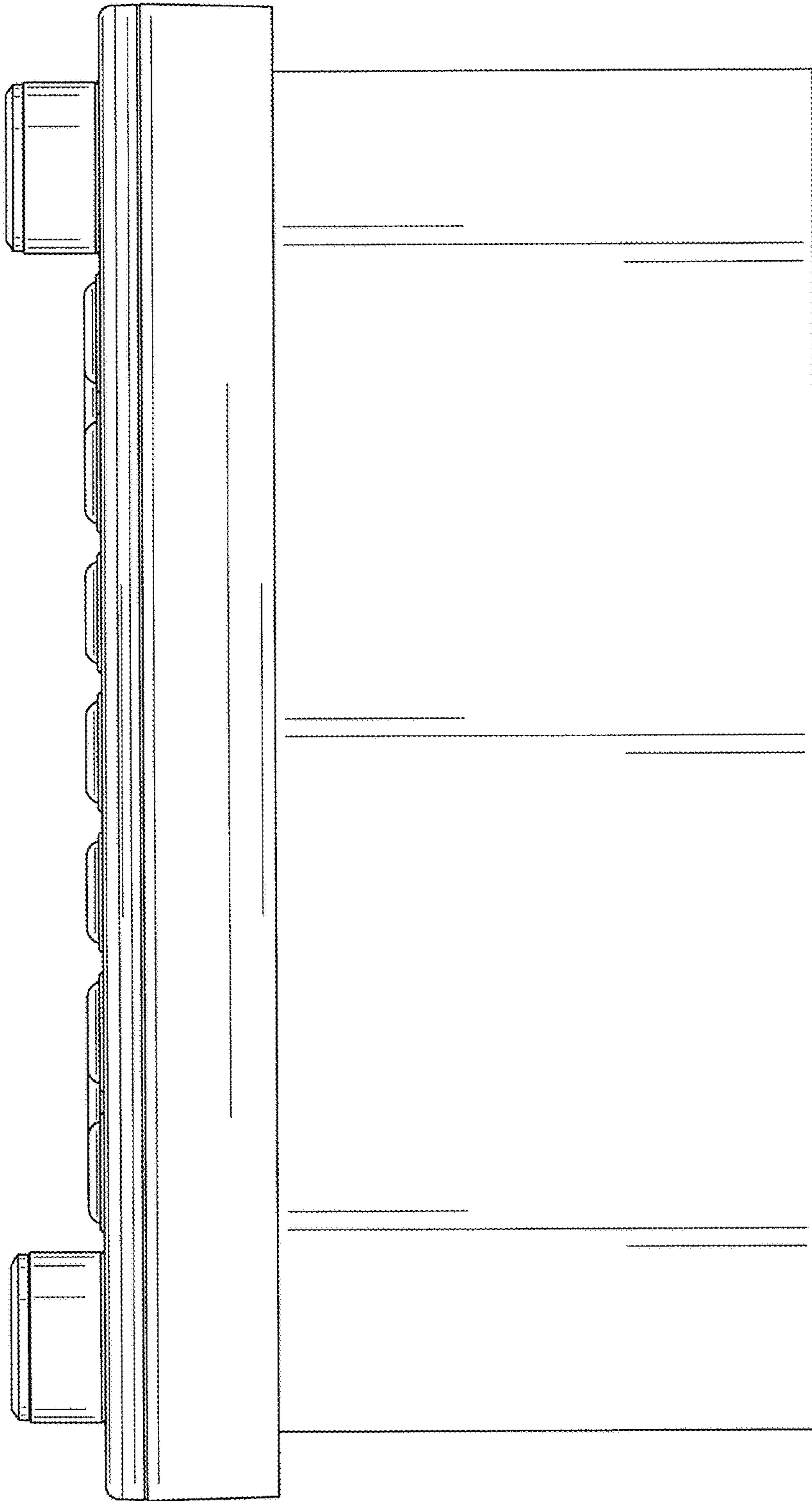


FIG. 7