



US00D860155S

(12) **United States Design Patent**
Sugita

(10) **Patent No.:** **US D860,155 S**

(45) **Date of Patent:** **** Sep. 17, 2019**

(54) **SHIPBOARD DIGITAL AUDIO PLAYER**

(71) Applicant: **CLARION CO., LTD.**, Saitama-shi,
Saitama (JP)

(72) Inventor: **Muneki Sugita**, Tokyo (JP)

(73) Assignee: **CLARION CO., LTD.**, Saitama (JP)

(**) Term: **15 Years**

(21) Appl. No.: **29/645,259**

(22) Filed: **Apr. 24, 2018**

(30) **Foreign Application Priority Data**

Oct. 27, 2017 (JP) 2017-023957

(51) **LOC (12) Cl.** **14-01**

(52) **U.S. Cl.**
USPC **D14/157**

(58) **Field of Classification Search**
USPC D12/192, 195, 415, 420; D14/154, 157,
D14/168-171, 188-198, 257-258, 496;
248/27.1, 27.3, 558; 455/347, 350
CPC B60R 11/02; B60K 37/02; B60K 37/04;
B60K 37/06; B60K 35/00; H04B 1/06;
H04B 1/08; H04B 1/082
See application file for complete search history.

(56) **References Cited**

U.S. PATENT DOCUMENTS

D483,733 S * 12/2003 Yoshihara D14/157
D563,922 S * 3/2008 Shiono D14/157

D565,535 S * 4/2008 Muto D14/157
D582,911 S * 12/2008 Kimura D14/258
D587,674 S * 3/2009 Uehara D14/157
D593,989 S * 6/2009 Endo D14/157
D604,287 S * 11/2009 Kimura D14/157
D645,464 S * 9/2011 Kimura D14/257
D671,520 S * 11/2012 Kanou D14/157
D672,743 S * 12/2012 Suzuki D14/157
D680,094 S * 4/2013 Kanou D14/157
D704,695 S * 5/2014 Kanou D14/258

* cited by examiner

Primary Examiner — Sandra L Morris

(74) *Attorney, Agent, or Firm* — McDermott Will &
Emery LLP

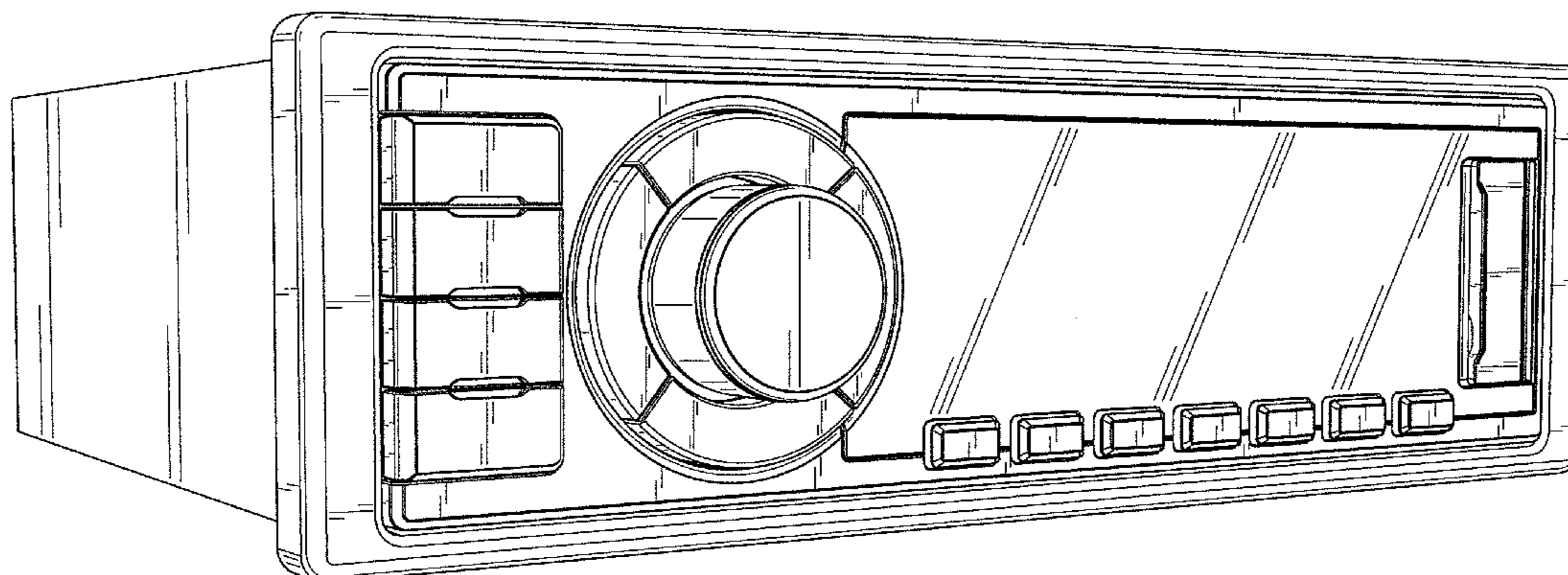
(57) **CLAIM**

The ornamental design for a shipboard digital audio player,
as shown and described.

DESCRIPTION

FIG. 1 is a first perspective view of a shipboard digital audio
player showing my new design;
FIG. 2 is a second perspective view of thereof;
FIG. 3 is a front view thereof;
FIG. 4 is a rear view thereof;
FIG. 5 is a left-side view thereof;
FIG. 6 is a right-side view thereof;
FIG. 7 is a top view thereof; and,
FIG. 8 is a bottom view thereof.

1 Claim, 8 Drawing Sheets



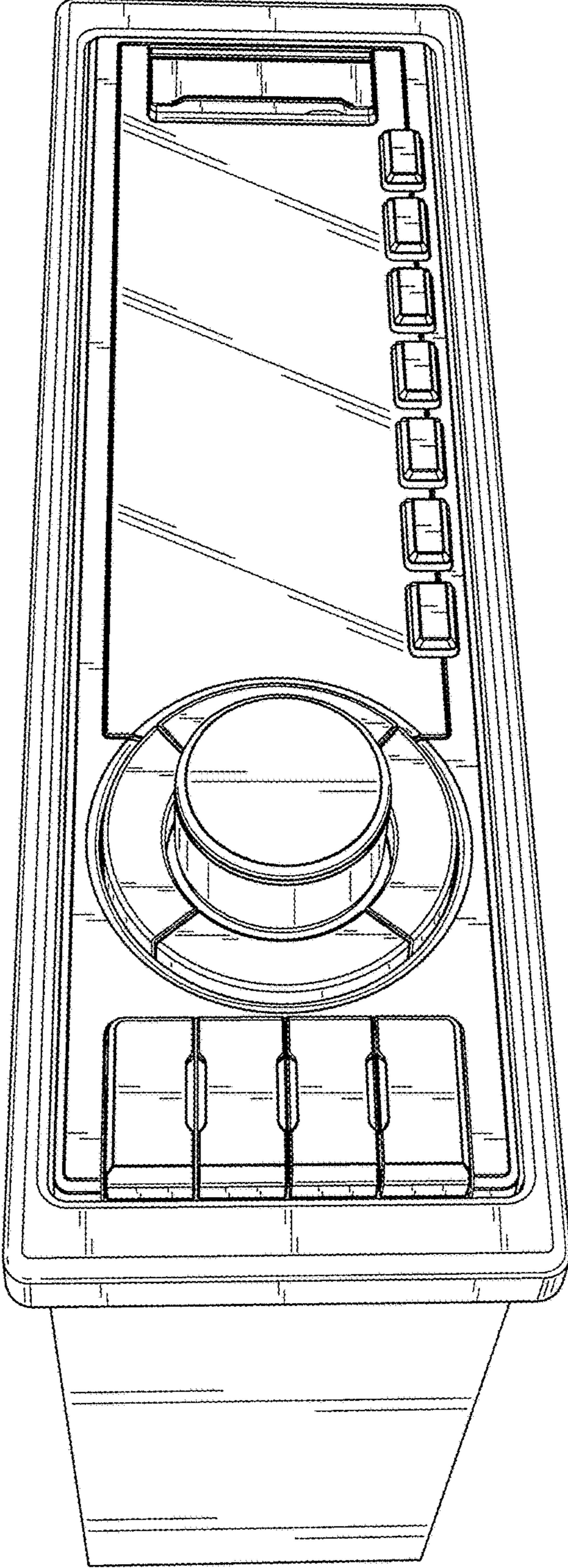


FIG. 1

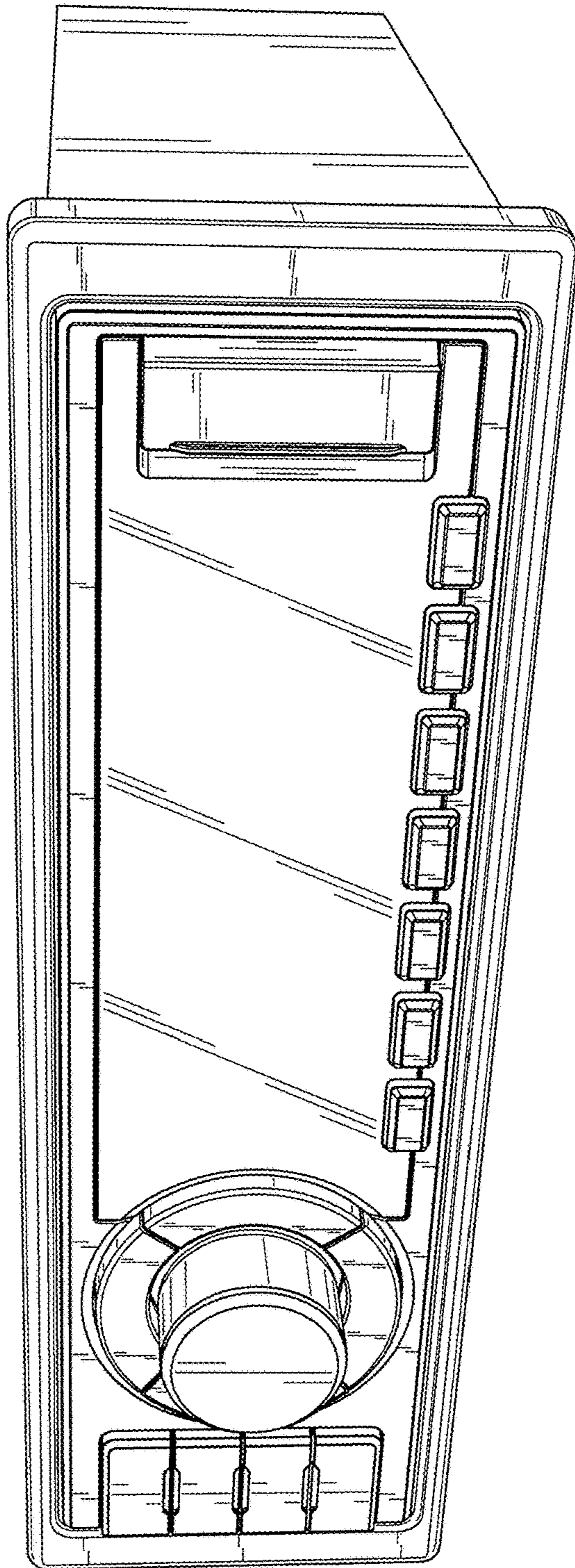


FIG. 2

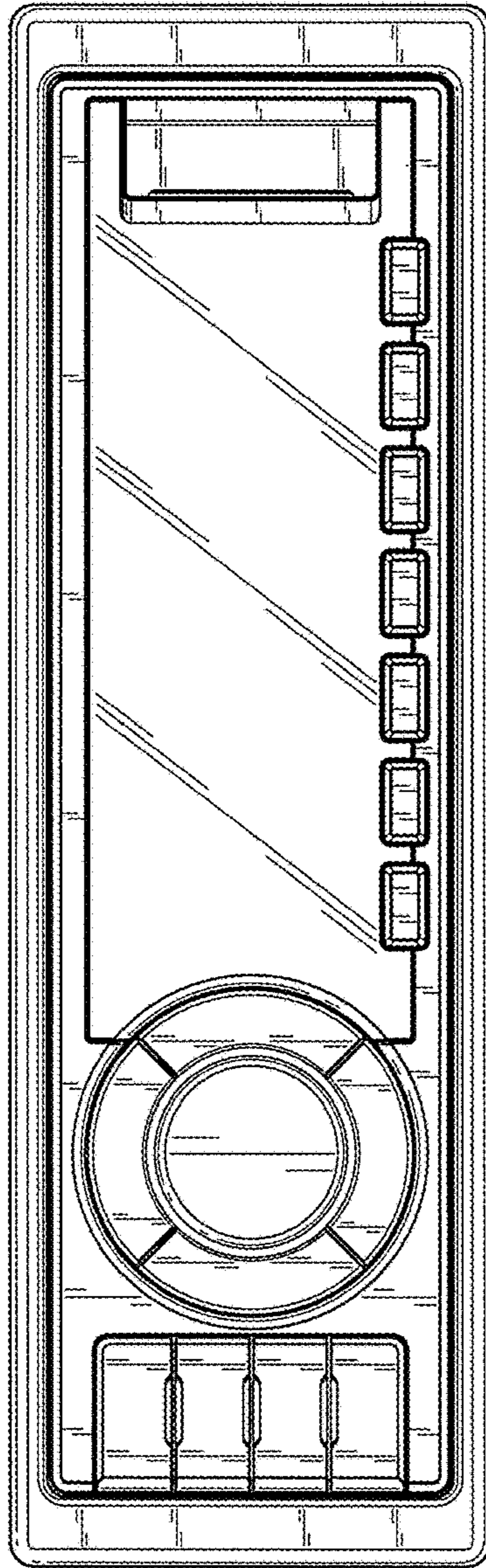


FIG. 3

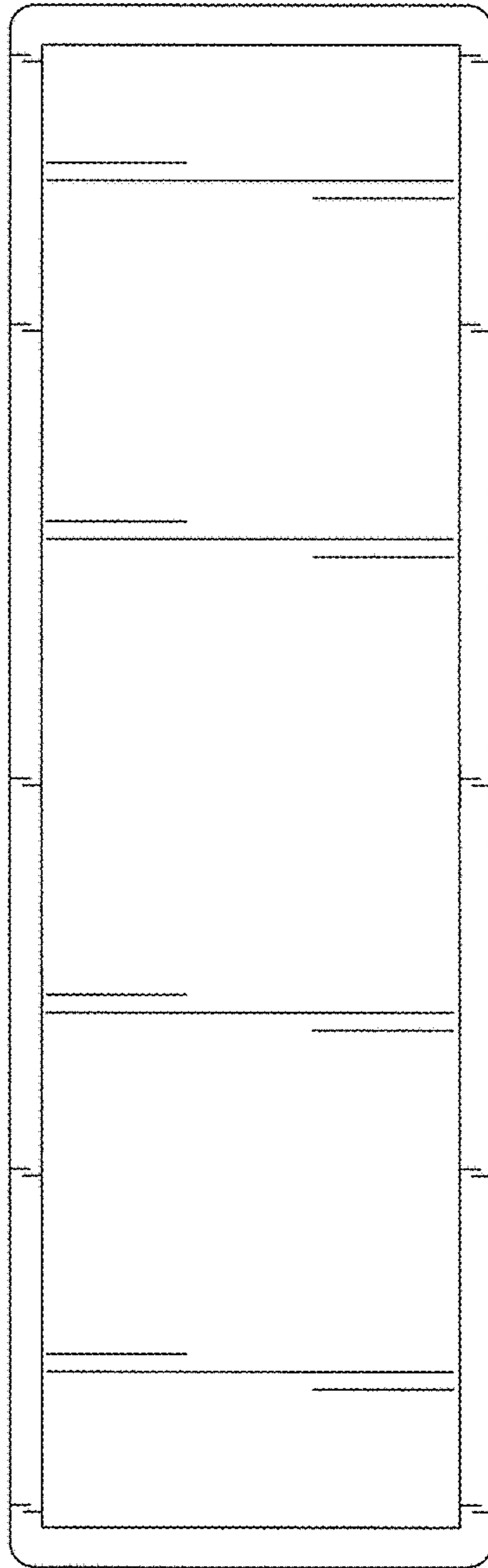


FIG. 4

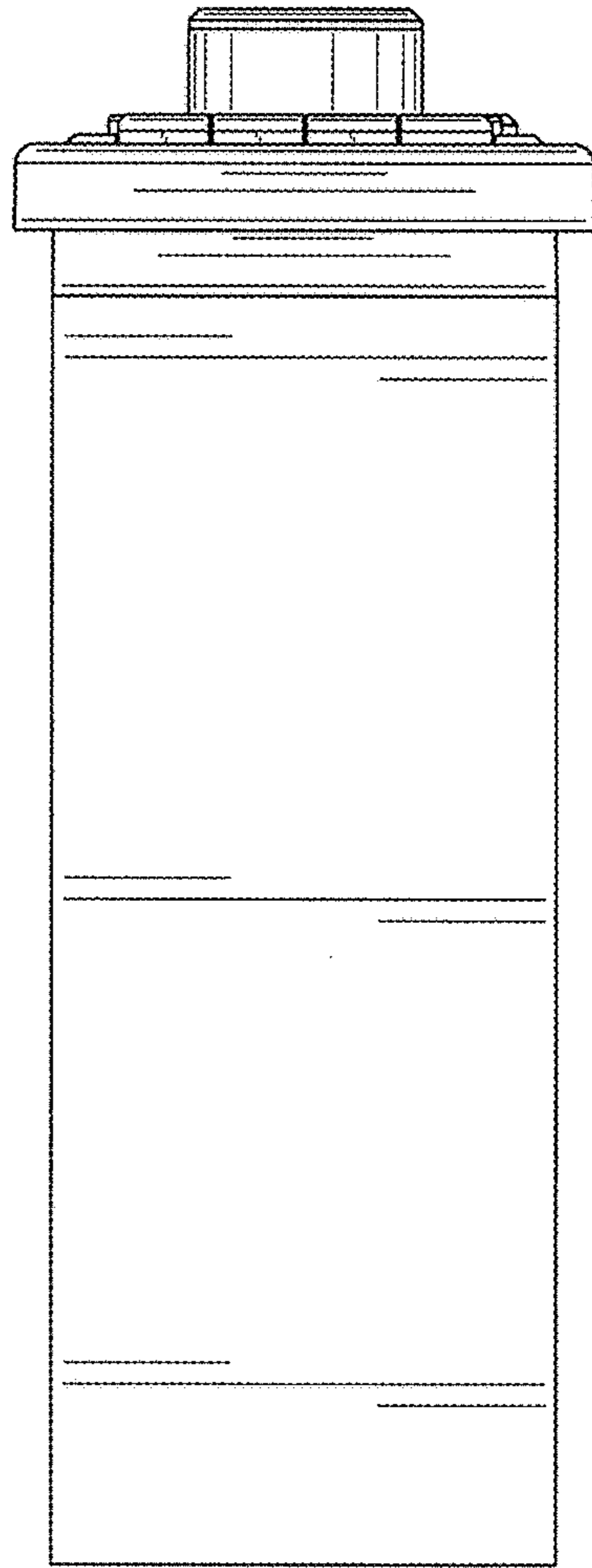


FIG. 5

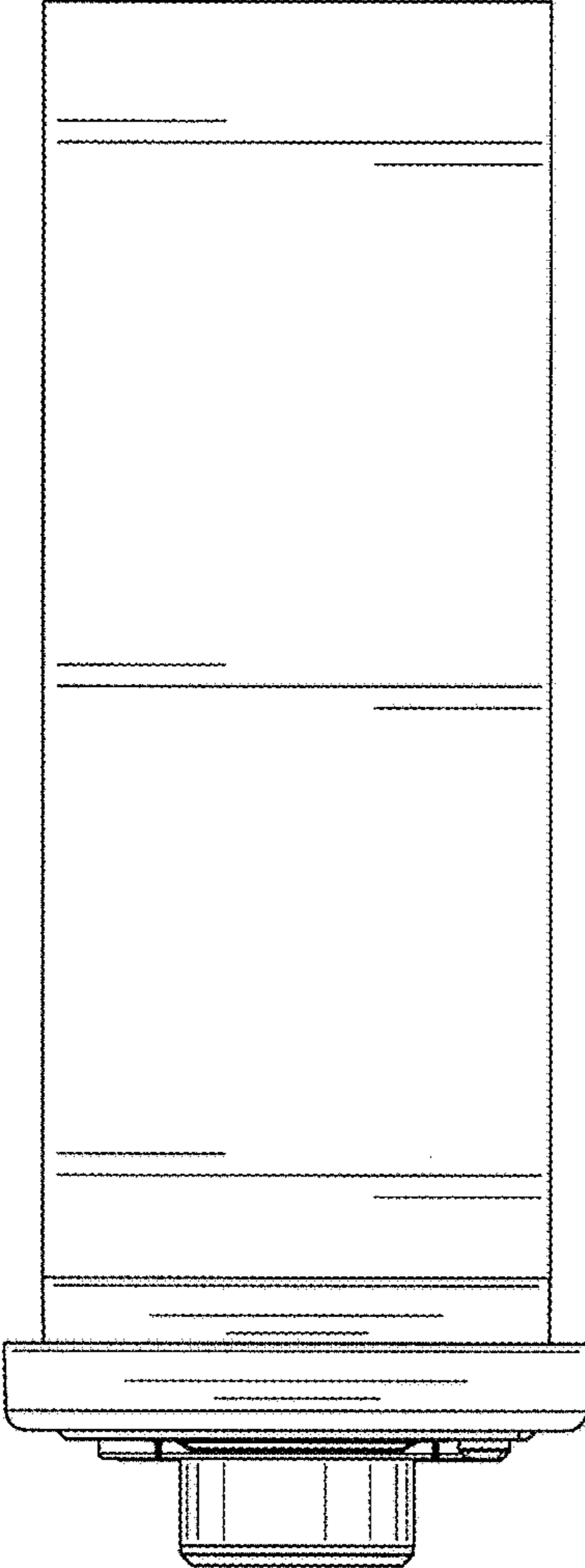


FIG. 6

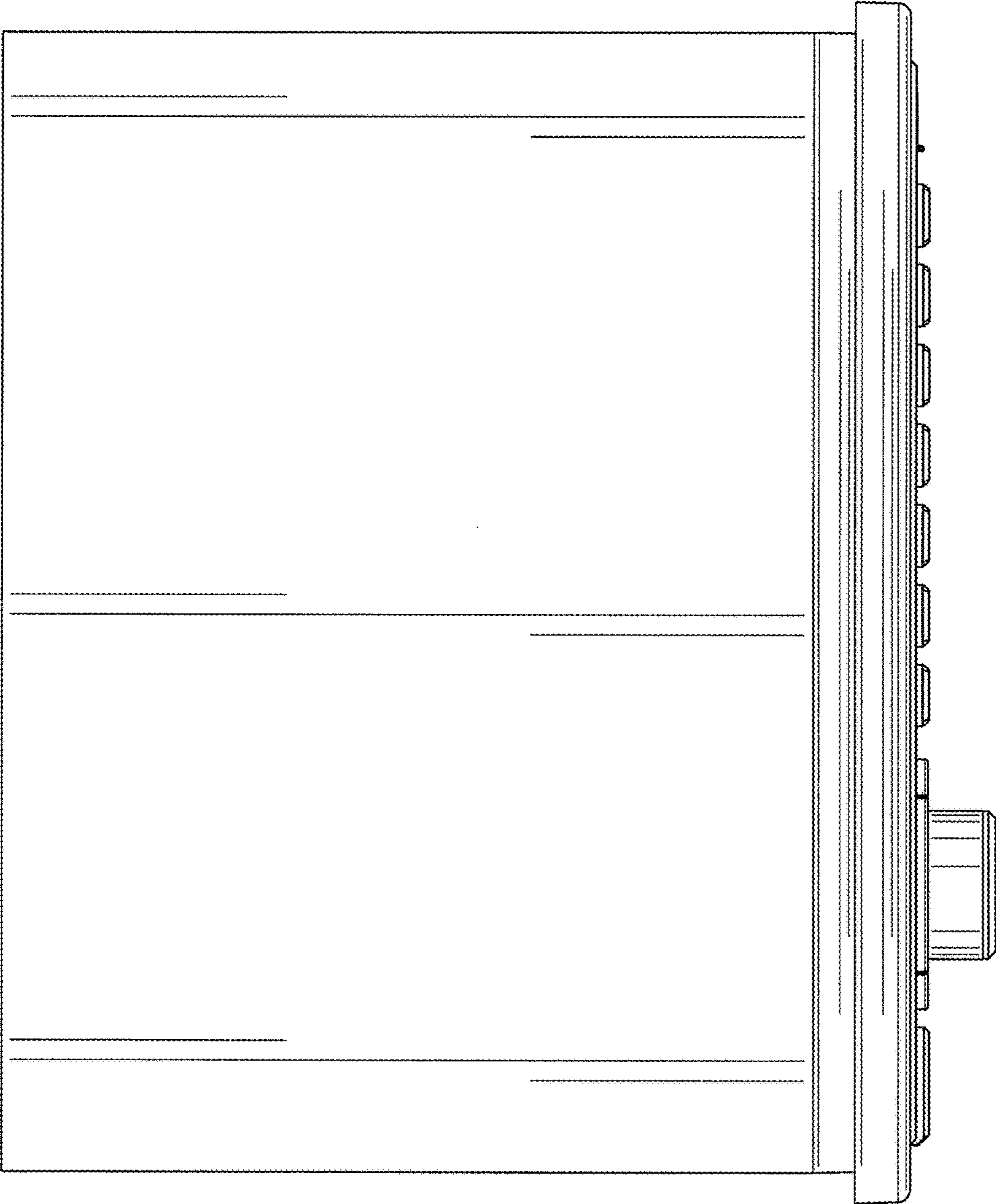


FIG. 7

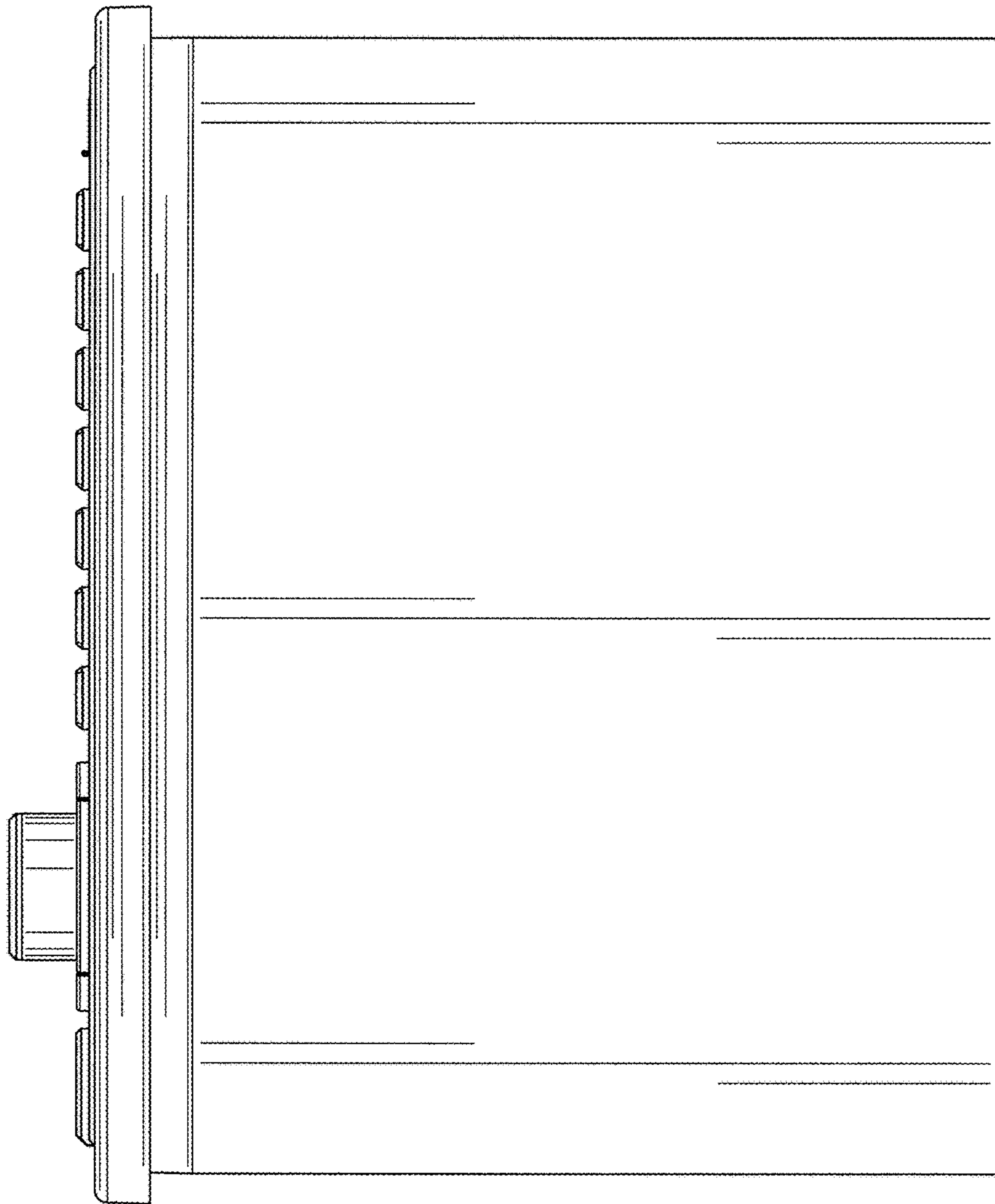


FIG. 8