



US00D860154S

(12) **United States Design Patent**
Hu

(10) **Patent No.:** **US D860,154 S**

(45) **Date of Patent:** **** Sep. 17, 2019**

(54) **WIRELESS TRANSMITTER**

(71) Applicant: **SHENZHEN QIANHAI PATUOXUN NETWORK AND TECHNOLOGY CO., LTD**, Shenzhen (CN)

(72) Inventor: **Zaihui Hu**, Shenzhen (CN)

(73) Assignee: **SHENZHEN QIANHAI PATUOXUN NETWORK AND TECHNOLOGY CO., LTD**, Shenzhen (CN)

(**) Term: **15 Years**

(21) Appl. No.: **29/688,524**

(22) Filed: **Apr. 23, 2019**

Related U.S. Application Data

(62) Division of application No. 29/676,145, filed on Jan. 9, 2019.

(51) **LOC (12) Cl.** **14-03**

(52) **U.S. Cl.**
USPC **D14/155**

(58) **Field of Classification Search**
USPC D14/167, 154, 168, 188, 496, 156, 160, D14/161, 162, 163, 164, 165, 158, 341, D14/346, 342, 345, 155, 218, 225; D16/208; D26/38; 455/351, 350, 575.1, 455/556.1; D10/104, 106, 65, 57
CPC H04B 1/385; H04M 1/6091; H04M 1/6066
See application file for complete search history.

(56) **References Cited**

U.S. PATENT DOCUMENTS

D683,248 S * 5/2013 Marzynski D10/78
D696,225 S * 12/2013 Osada D14/167

D726,295 S * 4/2015 Kim D23/351
D774,651 S * 12/2016 Kaib D24/186
D792,369 S * 7/2017 Scherrer D14/188
D799,590 S * 10/2017 Dwyer D18/50
D808,356 S * 1/2018 Miller D14/155
D825,564 S * 8/2018 Castle D14/399
D826,757 S * 8/2018 Thornton D10/106.1
D828,816 S * 9/2018 Spors D13/162
D839,273 S * 1/2019 He D14/435.1
D839,920 S * 2/2019 Demin D14/496
D844,008 S * 3/2019 Yamazaki D14/434
D844,570 S * 4/2019 Kornacki D13/162
D846,530 S * 4/2019 Pellattiero D14/218
2011/0159469 A1 * 6/2011 Hwang A61B 5/222
434/247

* cited by examiner

Primary Examiner — Austin Murphy

(74) *Attorney, Agent, or Firm* — JCIP Global Inc.

(57) **CLAIM**

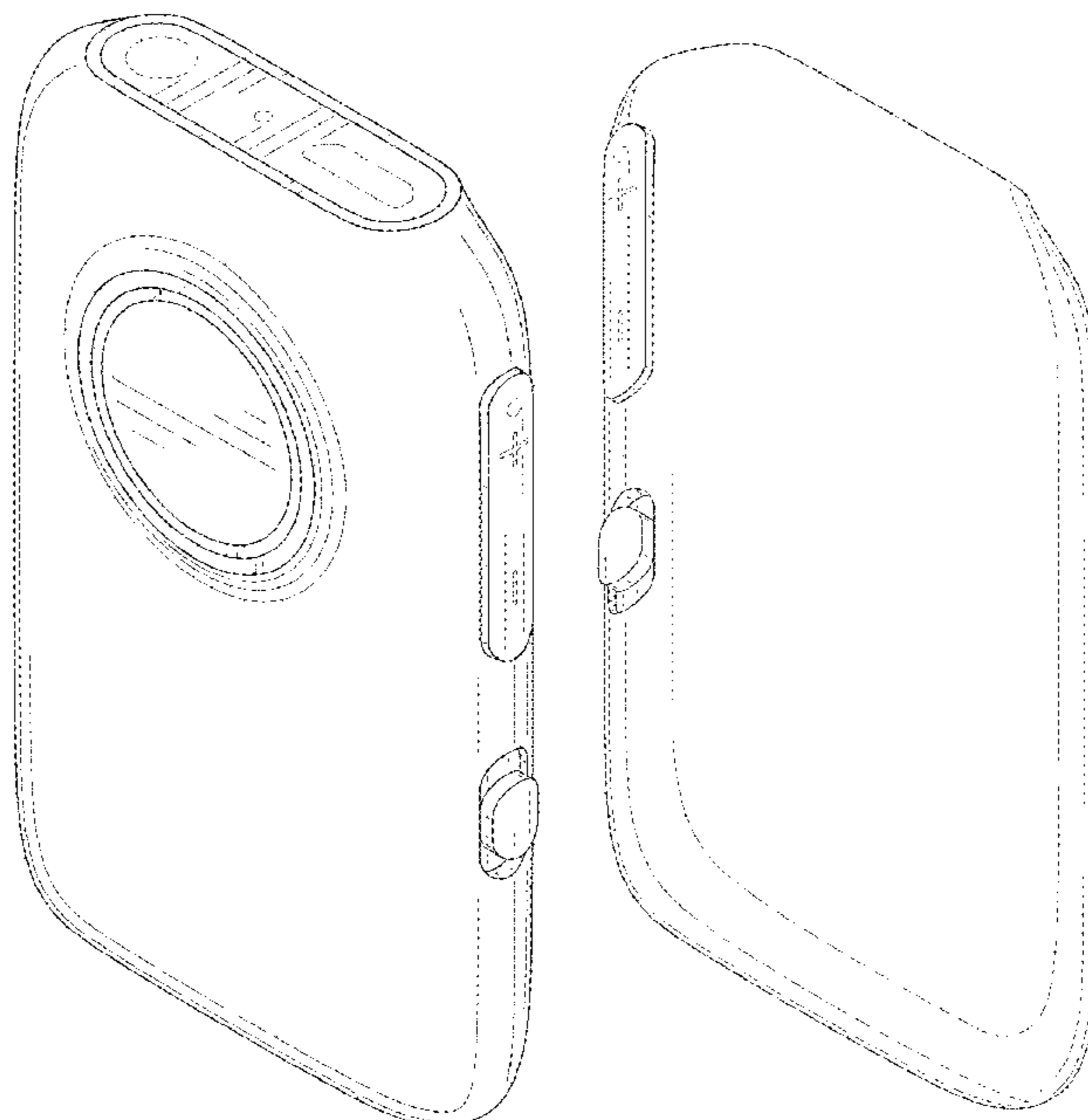
The ornamental design for a wireless transmitter, as shown and described.

DESCRIPTION

FIG. 1 is a perspective view of a wireless transmitter showing my new design;
FIG. 2 is another perspective view;
FIG. 3 is a front view;
FIG. 4 is a rear view;
FIG. 5 is a left side view;
FIG. 6 is a right side view;
FIG. 7 is a top view; and,
FIG. 8 is a bottom view.

The broken lines showing portions of the wireless transmitter represent portions of the design that are not claimed and form no part of the claimed design.

1 Claim, 6 Drawing Sheets



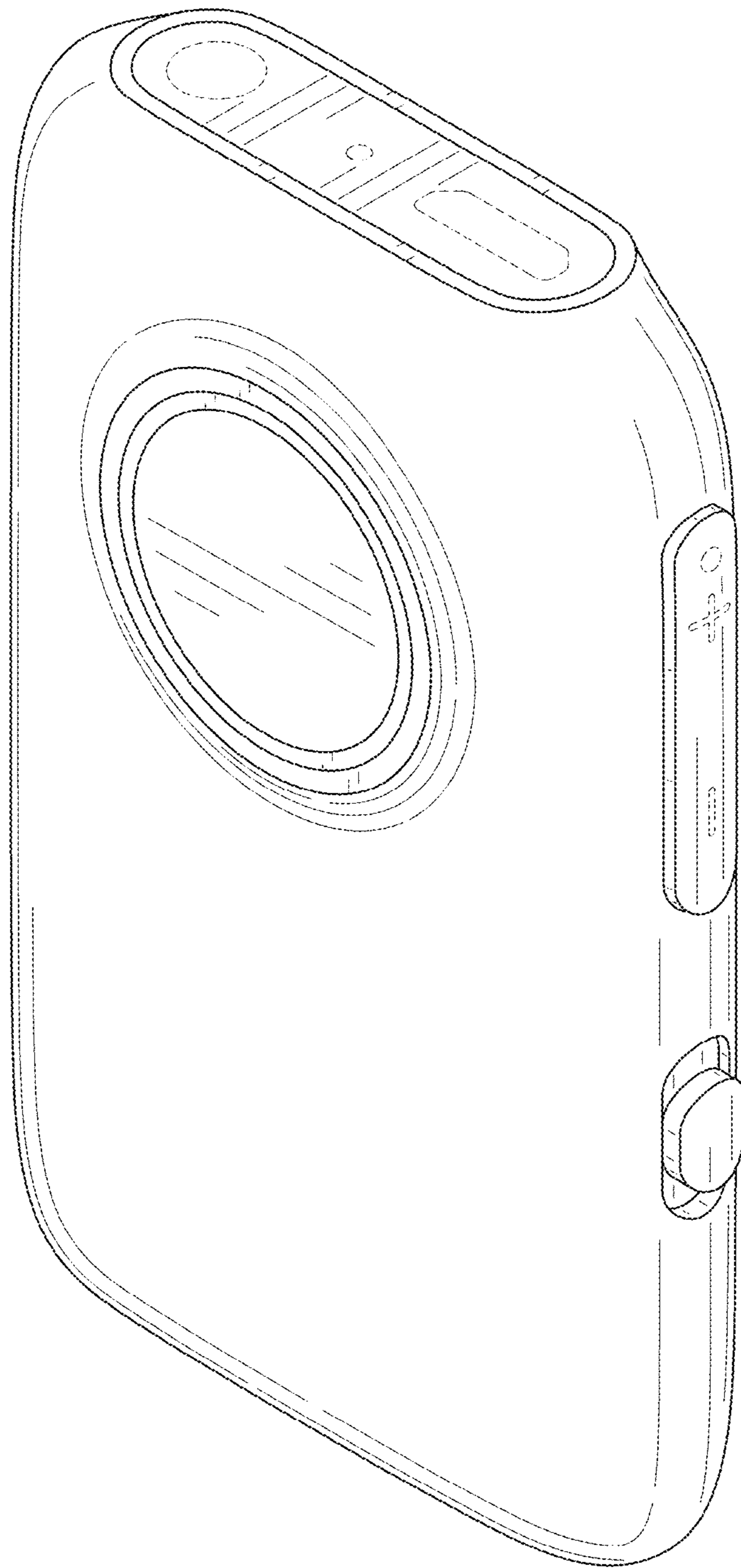


FIG. 1

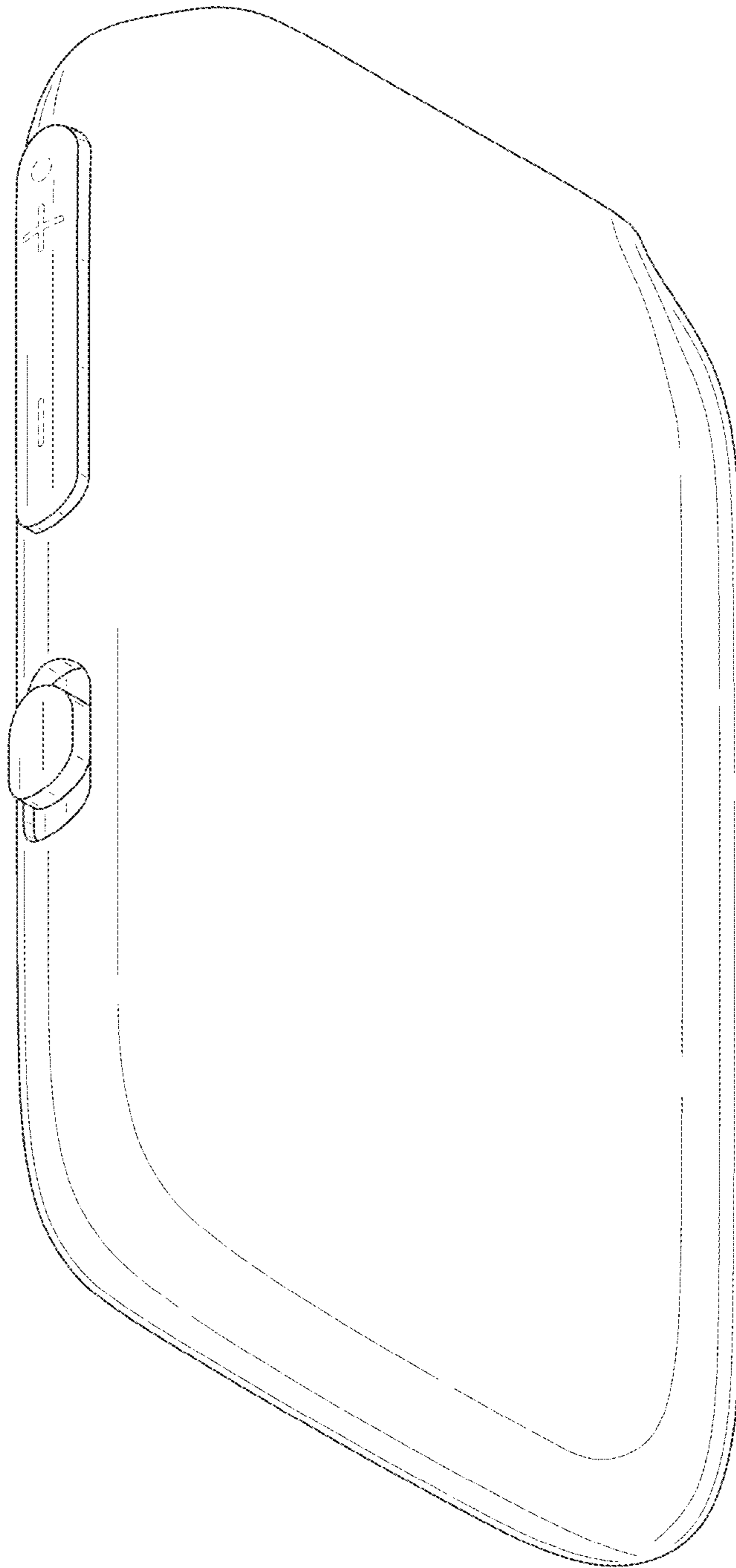


FIG. 2

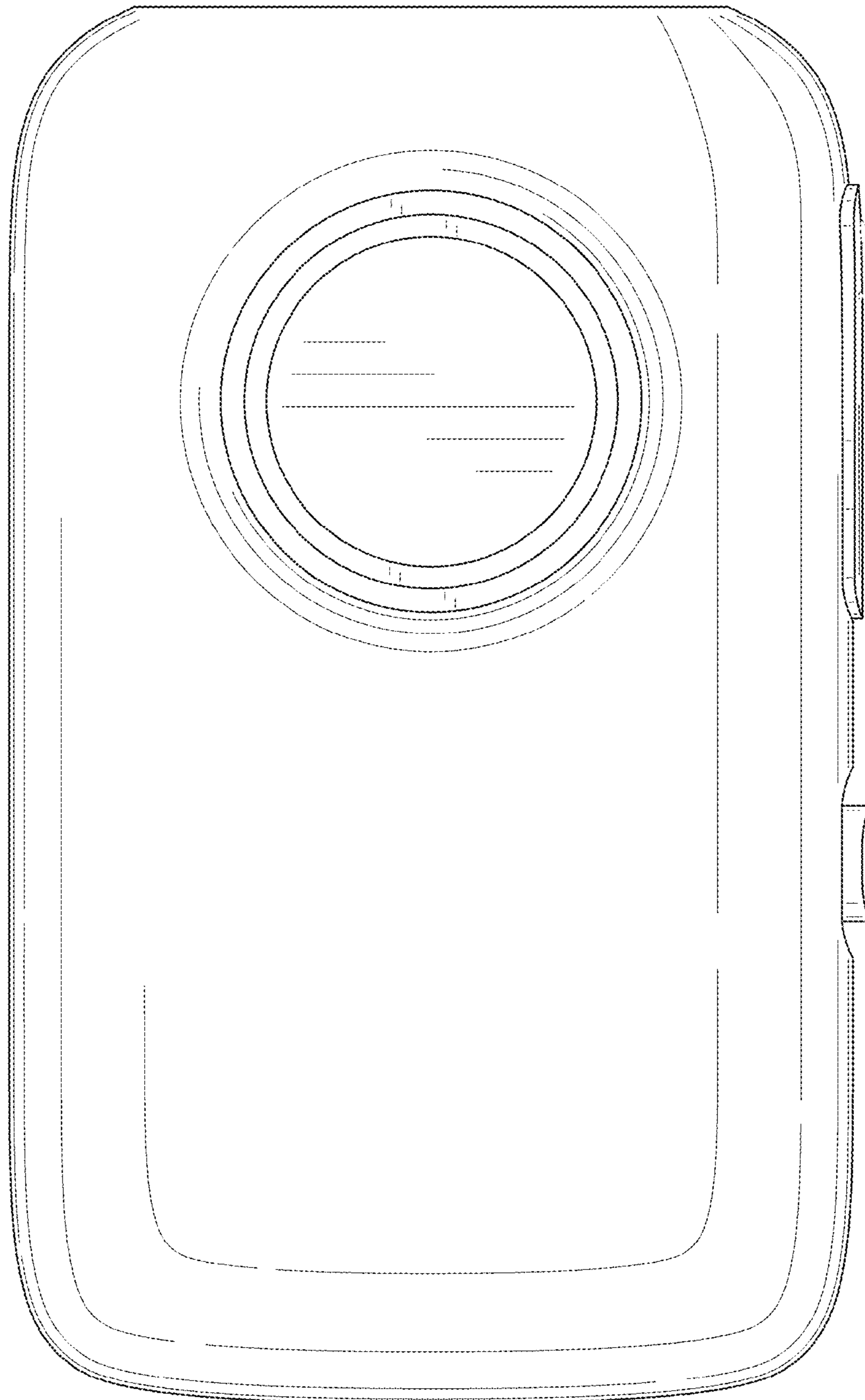


FIG. 3

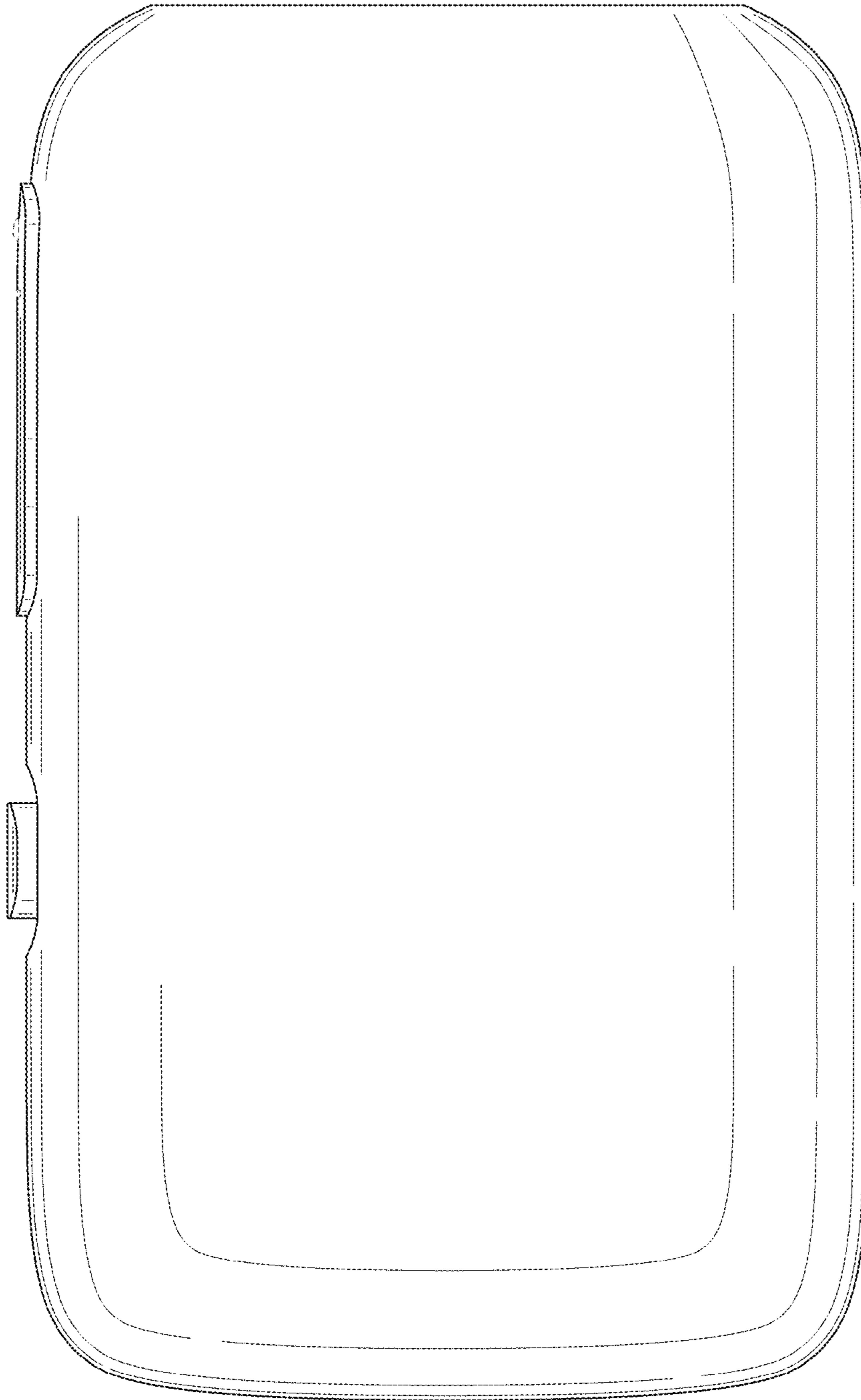


FIG. 4

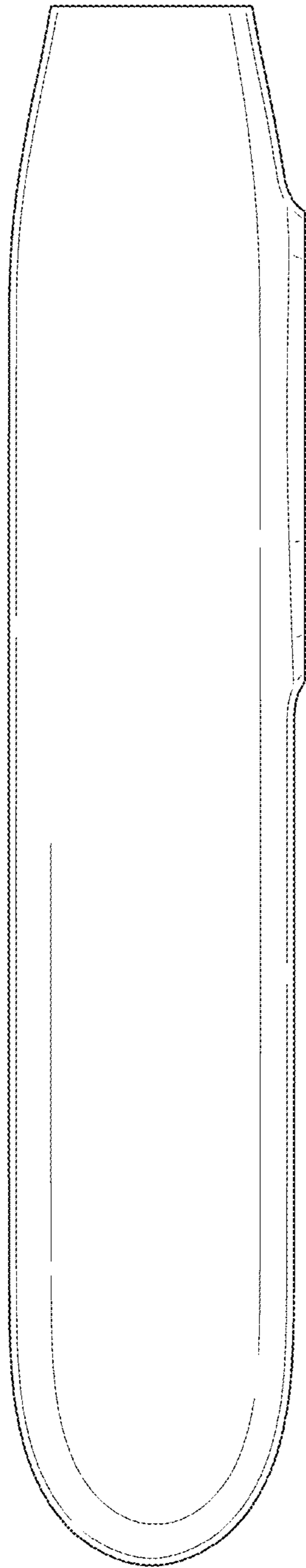


FIG. 5

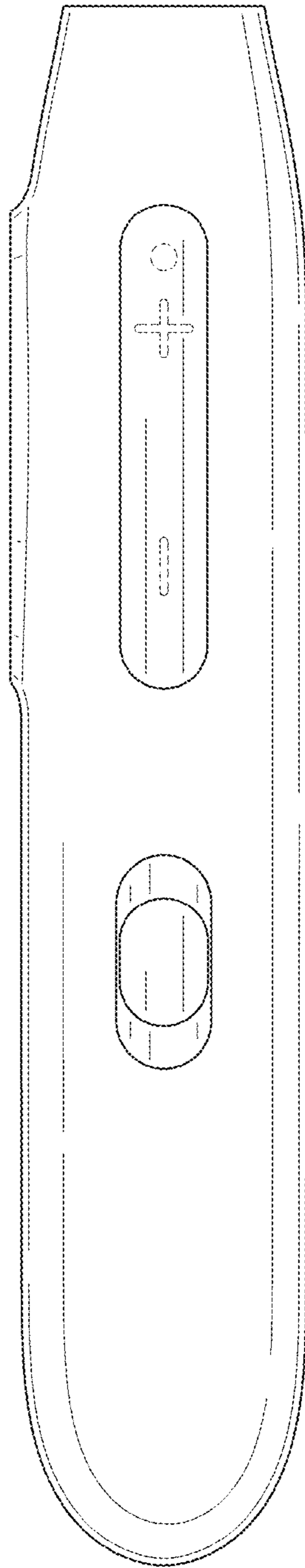


FIG. 6

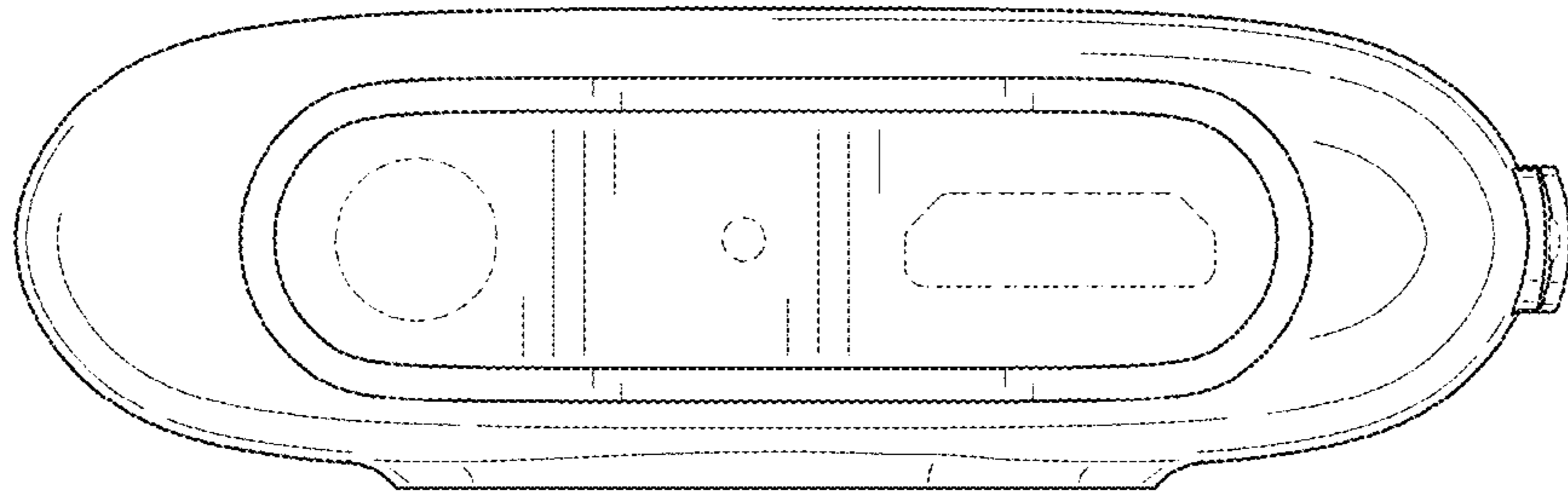


FIG. 7

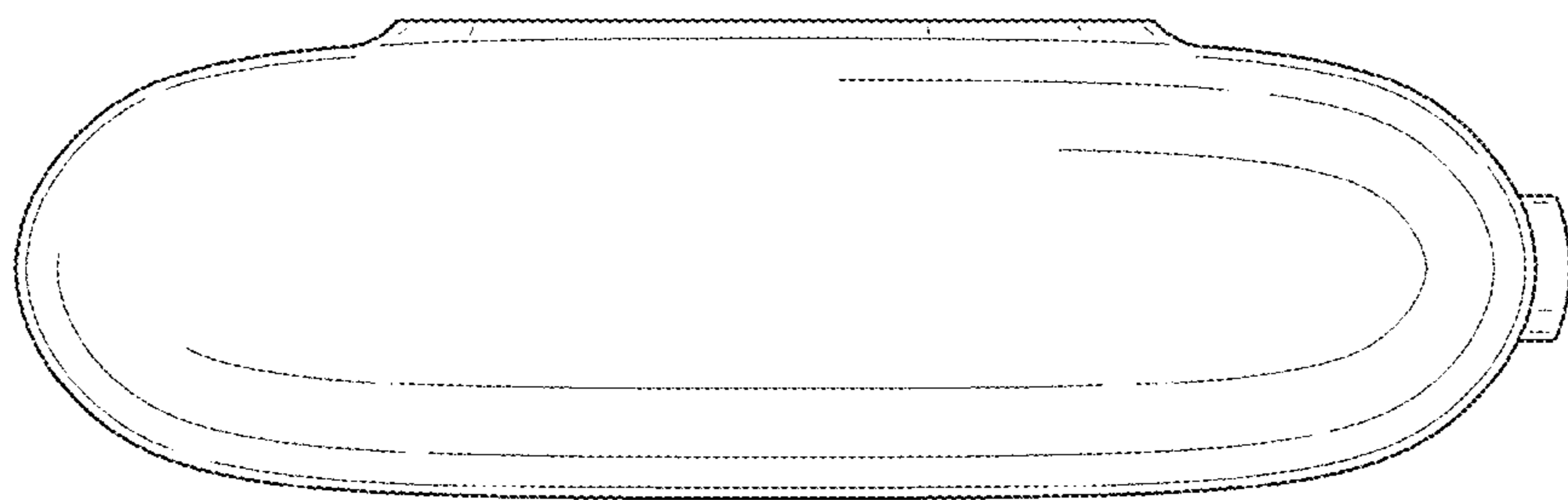


FIG. 8