

US00D860145S

(12) **United States Design Patent**
Yamamoto

(10) **Patent No.:** **US D860,145 S**

(45) **Date of Patent:** **** Sep. 17, 2019**

(54) **SWITCH FOR ELEVATING DESK TOP PLATE**

(71) Applicant: **Okamura Corporation**, Kanagawa (JP)

(72) Inventor: **Takayuki Yamamoto**, Tokyo (JP)

(73) Assignee: **OKAMURA CORPORATION**, Kanagawa (JP)

(**) Term: **15 Years**

(21) Appl. No.: **29/634,708**

(22) Filed: **Jan. 24, 2018**

(30) **Foreign Application Priority Data**

Jul. 27, 2017 (JP) 2017-016253

(51) **LOC (12) Cl.** **13-03**

(52) **U.S. Cl.**
USPC **D13/173; D13/177**

(58) **Field of Classification Search**
USPC ... D13/139.4, 155, 156, 158, 162, 164, 169, D13/171, 173, 177, 199; D14/305, 441, D14/445; D6/641, 655, 655.1, 704, 705, D6/705.1, 705.2, 705.5; D7/397, 399; D8/300, 308, 353, 354, 380

CPC .. H01H 3/00; H01H 3/02; H01H 3/04; H01H 3/06; H01H 9/02; H01H 13/02; H01H 13/04; H01H 13/10; H01H 13/86; H01H 21/22; H01H 21/24; H01H 25/00; H01H 25/002; H01H 25/008; H01H 25/06; A47B 21/02; A47B 9/00; A61G 13/02; A61G 7/018; G05B 15/02; A47C 1/0345; A47C 1/035

See application file for complete search history.

(56) **References Cited**

U.S. PATENT DOCUMENTS

D229,286 S * 11/1973 Tyke et al. D8/300
4,440,096 A * 4/1984 Rice A47B 9/04
108/147

D305,018 S * 12/1989 Pena D13/164
D305,019 S * 12/1989 Pena D13/171
D310,202 S * 8/1990 Suck D13/164
D315,527 S * 3/1991 Kulikowski D10/108

(Continued)

OTHER PUBLICATIONS

Google image; Jarvis Bamboo Standing Desk; prior to Jan. 24, 2018-; 1 pg.; https://www.google.com/search?q=height+adjustable+desk++control&hl=en&biw=1536&bih=813&source=Int&tbs=cdr%3A1%2Ccd_min%3A%2Ccd_max%3A1%2F24%2F2018&tbm=isch#imgcr=0RziQLjYsFQ60M:&spf=1555938362075.*

(Continued)

Primary Examiner — Selina Sikder

(74) *Attorney, Agent, or Firm* — IPUSA, PLLC

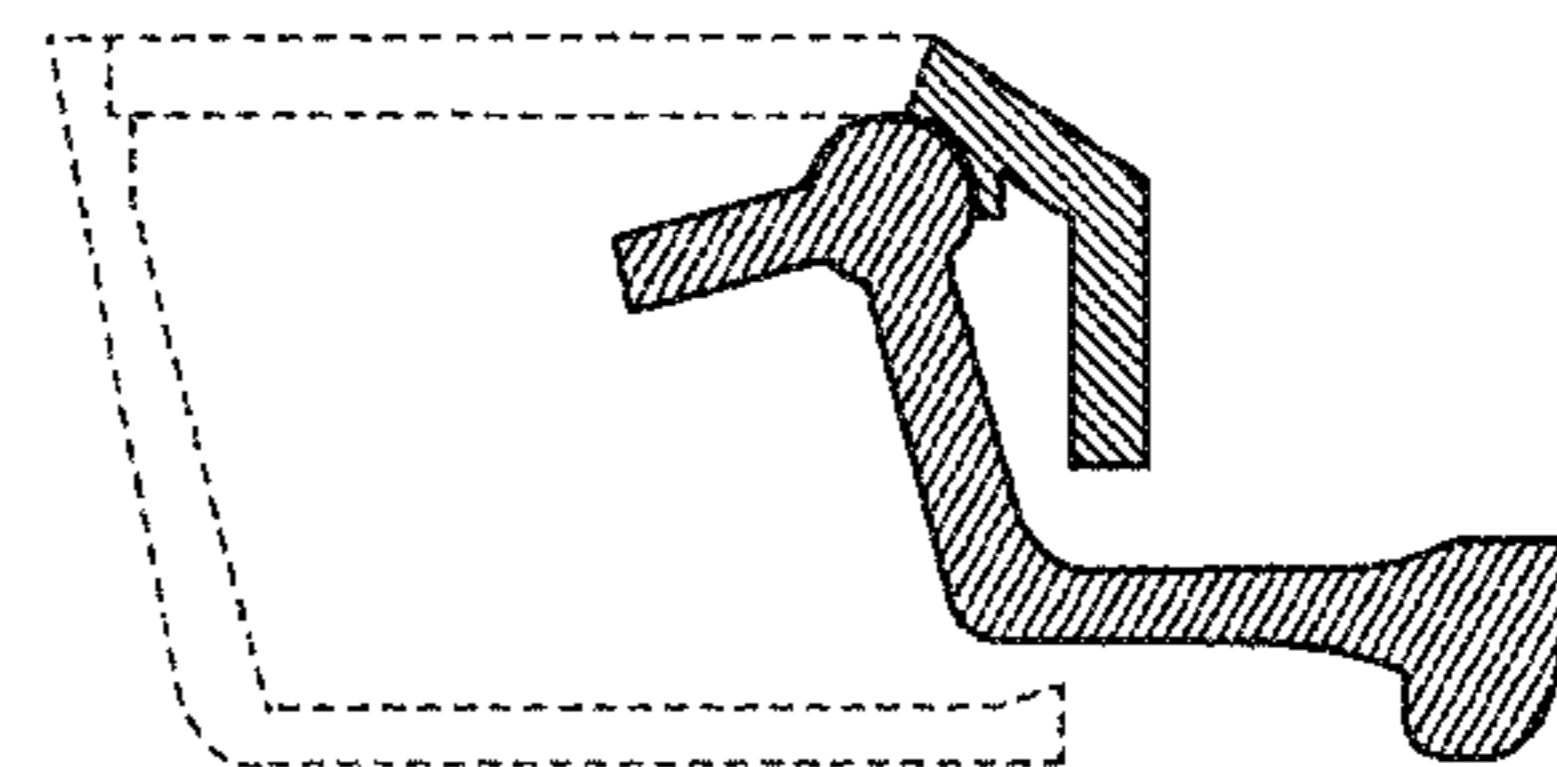
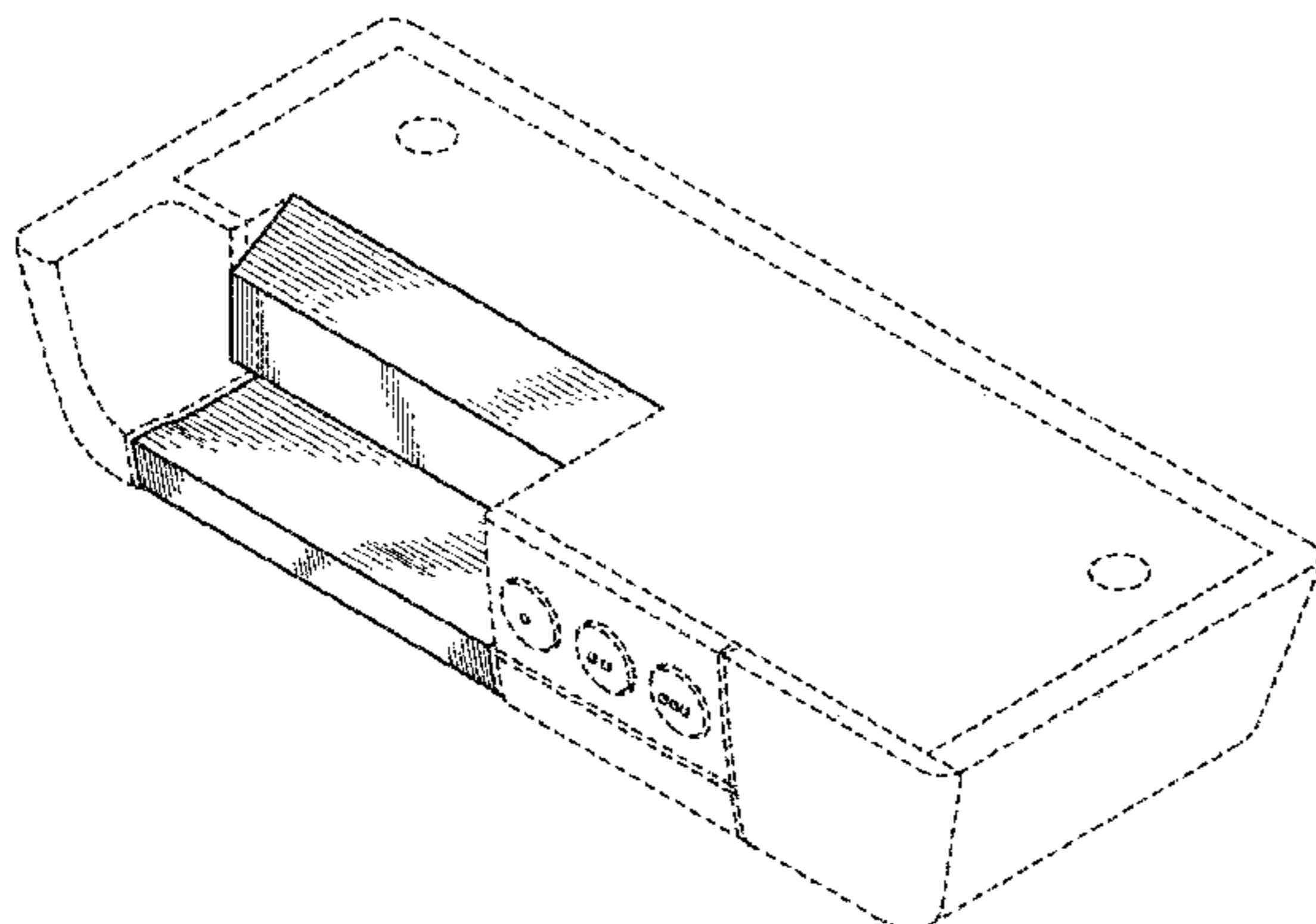
(57) **CLAIM**

The ornamental design for a switch for elevating desk top plate, as shown and described.

DESCRIPTION

FIG. 1 is a front, top, and right side perspective view of a switch for elevating desk top plate, showing our new design; FIG. 2 is a front, top, and left side perspective view thereof; FIG. 3 is a front view thereof; FIG. 4 is a top plan view thereof; FIG. 5 is a bottom plan view thereof; FIG. 6 is an enlarged end view thereof, taken at the cross section indicated by along line 6-6 in FIG. 3; FIG. 7 is a perspective view thereof, shown in a state of use; and, FIG. 8 is an enlarged portion view thereof, illustrating the region indicated by 8 in FIG. 7. The broken lines shown in the drawings represent portions of the switch for elevating desk top plate that form no part of the claimed design. All sides not shown form no part of the claimed design.

1 Claim, 5 Drawing Sheets



(56)

References Cited

U.S. PATENT DOCUMENTS

5,120,117 A * 6/1992 Williams A47B 21/0314
108/25
D335,283 S * 5/1993 Justiniano D13/171
D336,895 S * 6/1993 Rogov D13/177
5,452,950 A * 9/1995 Crenshaw A47B 39/00
248/918
D414,759 S * 10/1999 Lu D14/445
D442,561 S * 5/2001 Camarota D13/162
6,595,144 B1 * 7/2003 Doyle A47B 9/00
108/147
D533,846 S * 12/2006 Burton D13/171
D562,779 S * 2/2008 Lamoree D13/171
7,381,913 B2 * 6/2008 Sjostrom H01H 13/48
200/5 A
D584,244 S * 1/2009 Ohlert D13/171
D586,205 S * 2/2009 Robbins, III D8/380
D820,221 S * 6/2018 Yang D13/164
10,028,576 B1 * 7/2018 Yao A47B 21/02
D825,493 S * 8/2018 Chen D13/164
D833,981 S * 11/2018 Seal D13/162
D841,366 S * 2/2019 Herring D6/641
D846,503 S * 4/2019 Yang D13/162
D846,504 S * 4/2019 Yang D13/162
2008/0245279 A1 * 10/2008 Pan A47B 9/00
108/144.11
2013/0199419 A1 * 8/2013 Hjelm A47B 9/00
108/20
2015/0246404 A1 * 9/2015 Teraoka B23K 3/08
219/129

OTHER PUBLICATIONS

Google image; Edesk Hand Conotrol Panel, prior to Jan. 24, 2018; 1 pg.; https://www.google.com/search?q=height+adjustable+desk++control&hl=en&biw=1536&bih=813&source=Int&tbs=cdr%3A1%2Ccd_min%3A%2Ccd_max%3A1%2F24%2F2018&tbm=isch#imgrc=zG6Oqr1Z6awXMM:&spf=1555938362075.*

Google image; Little Tree Height Controller, prior to Jan. 24, 2018; 1 pg.; https://www.google.com/search?q=height+adjustable+lever+system&hl=en&biw=1536&bih=813&source=Int&tbs=cdr%3A1%2Ccd_min%3A%2Ccd_max%3A1%2F24%2F2018&tbm=isch#imgrc=vFlmeBGM22wRwM:&spf=1556289581820.*

Google image, Uplift V2 Curved Corner Keypad, prior to Jan. 24, 2018, 1pg.; https://www.google.com/search?hl=en&biw=1536&bih=813&tbs=cdr%3A1%2Ccd_max%3A1%2F24%2F2018&tbm=isch&sa=1&ei=iSe-XPncFqxxgfd_42YDA&q=UPLIFT+V2+Curved+

Corner+Keypad&oq=UPLIFT+V2+Curved+Corner+Keypad&gs_l=img.12...92381.92381..93438...0.0.*

Google image—Height Adjustable Control, prior to Jan. 24, 2018, 1 pg.; https://www.google.com/search?q=height+adjustable+lever+system&hl=en&biw=1536&bih=813&source=Int&tbs=cdr%3A1%2Ccd_min%3A%2Ccd_max%3A1%2F24%2F2018&tbm=isch#imgrc=1osoJaQ25K2_NM:&spf=1556289581817.*

Google image MedicalExpo Electric massage table; date unknown; 1 pg.; https://www.google.com/search?q=height+adjustable+switch&hl=en&tbm=isch&tbs=rimg:CUFf6guahSdnljgxwiLvEnRSRNVpyDEddIttEm69U_16SCY986wUJfIDFbPHv6s7sVwle2Wtm8mNEh03b6HweQhCWNioSCTHC1u8SdFJEESp_19QUkT7wkKhIJ1WnIMR12W20R5xRIORHVk0oqEgkSbr1T_1p.*

Google image, Three Button Power Function; Jan. 24, 2017, 1 pg.; https://www.google.com/search?q=three+button+switch+panel&hl=en&biw=1536&bih=813&source=Int&tbs=cdr%3A1%2Ccd_min%3A%2Ccd_max%3A11%2F24%2F2017&tbm=isch#imgrc=SbkHN3_OXShtaM:&spf=1556214194530.*

Google image,—Button Panel Deckplate, Nov. 24, 2017, 1 pg.; https://www.google.com/search?hl=en&biw=1536&bih=813&tbs=cdr%3A1%2Ccd_max%3A11%2F24%2F2017&tbm=isch&sa=1&ei=ArjBXNa9DuO8ggek_6LYBg&q=three+button++panel&oq=three+button++panel&gs_l=img.12...6610.7726..8988...0.0..0.52.263.6.....0....1..gws-w.*

Google image, Button Panel Options, Nov. 24, 2017; 1 pg.; https://www.google.com/search?hl=en&biw=1536&bih=813&tbs=cdr%3A1%2Ccd_max%3A11%2F24%2F2017&tbm=isch&sa=1&ei=ArjBXNa9DuO8ggek_6LYBg&q=three+button++panel&oq=three+button++panel&gs_l=img.12...6610.7726..8988...0.0..0.52.263.6.....1..gws-w#imgrc=PHBA.*

Google image , Blackmagic DaVinci Control Panel, prior to Nov. 24, 2017; 1 pg.; https://www.google.com/search?hl=en&biw=1536&bih=813&tbs=cdr%3A1%2Ccd_max%3A11%2F24%2F2017&tbm=isch&sa=1&ei=4sfBXIntKoHH_Qb10Y_gBA&q=three+button+desk+panel&oq=three+button+desk+panel&gs_l=img.3...6096907.6102635..6104714...1.0..0.*

Google image, Height Adjustable Desk Control, Nov. 24, 2017, 1pg.; https://www.google.com/search?q=switch+for+adjustable++desk&hl=en&biw=1536&bih=813&source=Int&tbs=cdr%3A1%2Ccd_min%3A%2Ccd_max%3A11%2F24%2F2017&tbm=isch#imgrc=asHm7b4-AtlxwM:&spf=1556213722802.*

U.S. Appl. No. 29/634,711, filed Jan. 24, 2018, Takayuki Yamamoto.
U.S. Appl. No. 29/634,705, filed Jan. 24, 2018, Takayuki Yamamoto.
U.S. Appl. No. 29/634,721, filed Jan. 24, 2018, Takayuki Yamamoto.

* cited by examiner

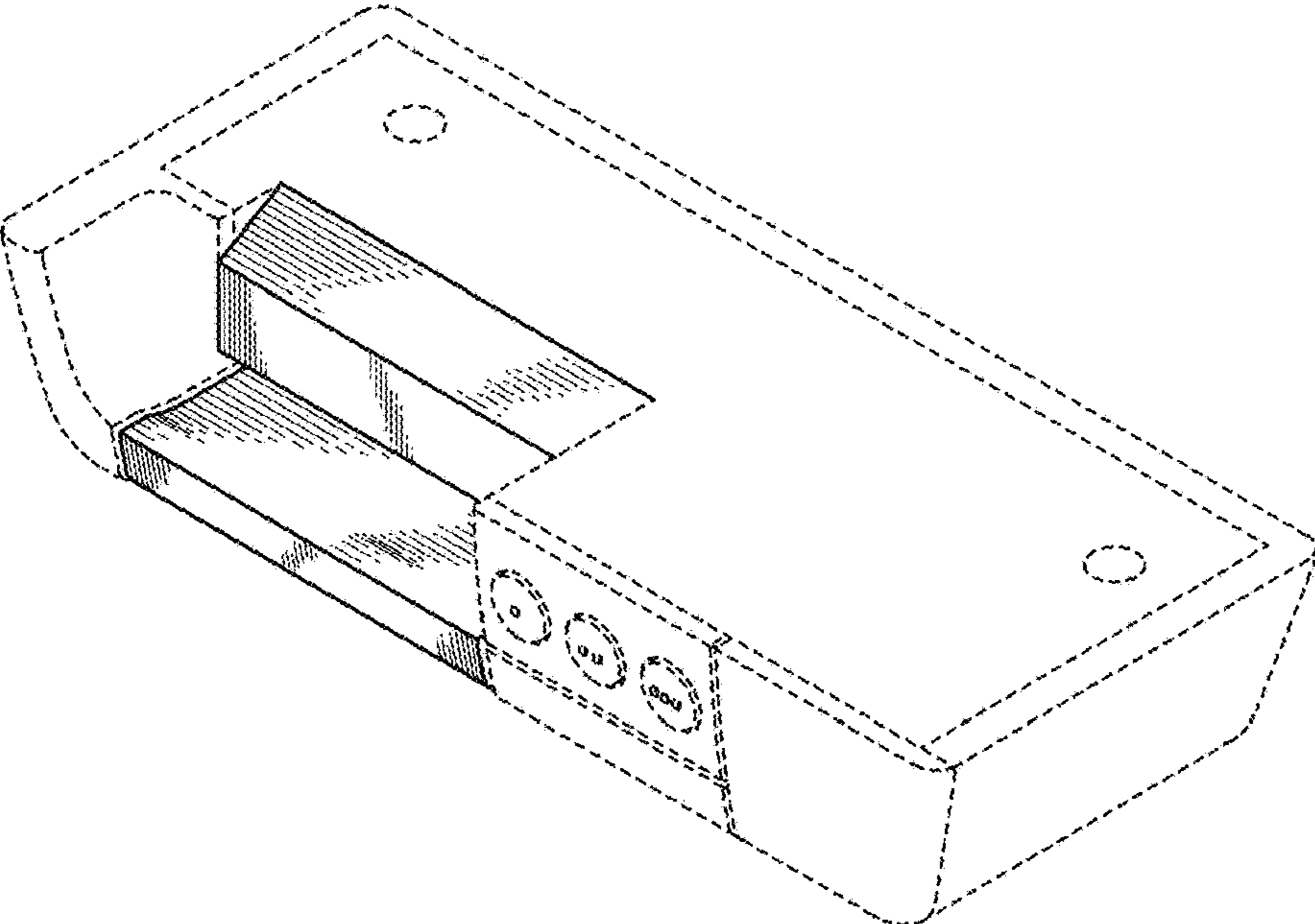


Fig. 1

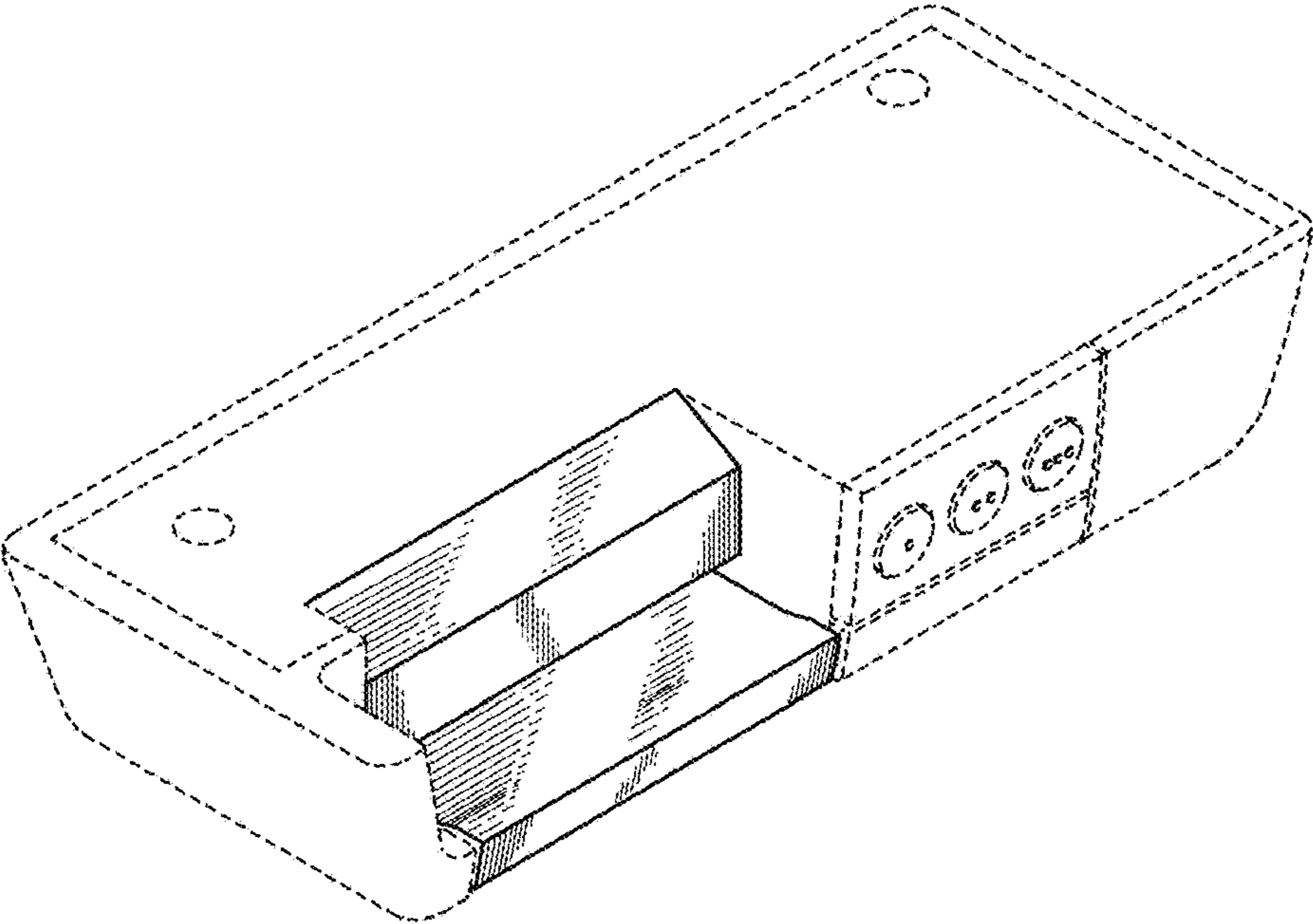


Fig. 2

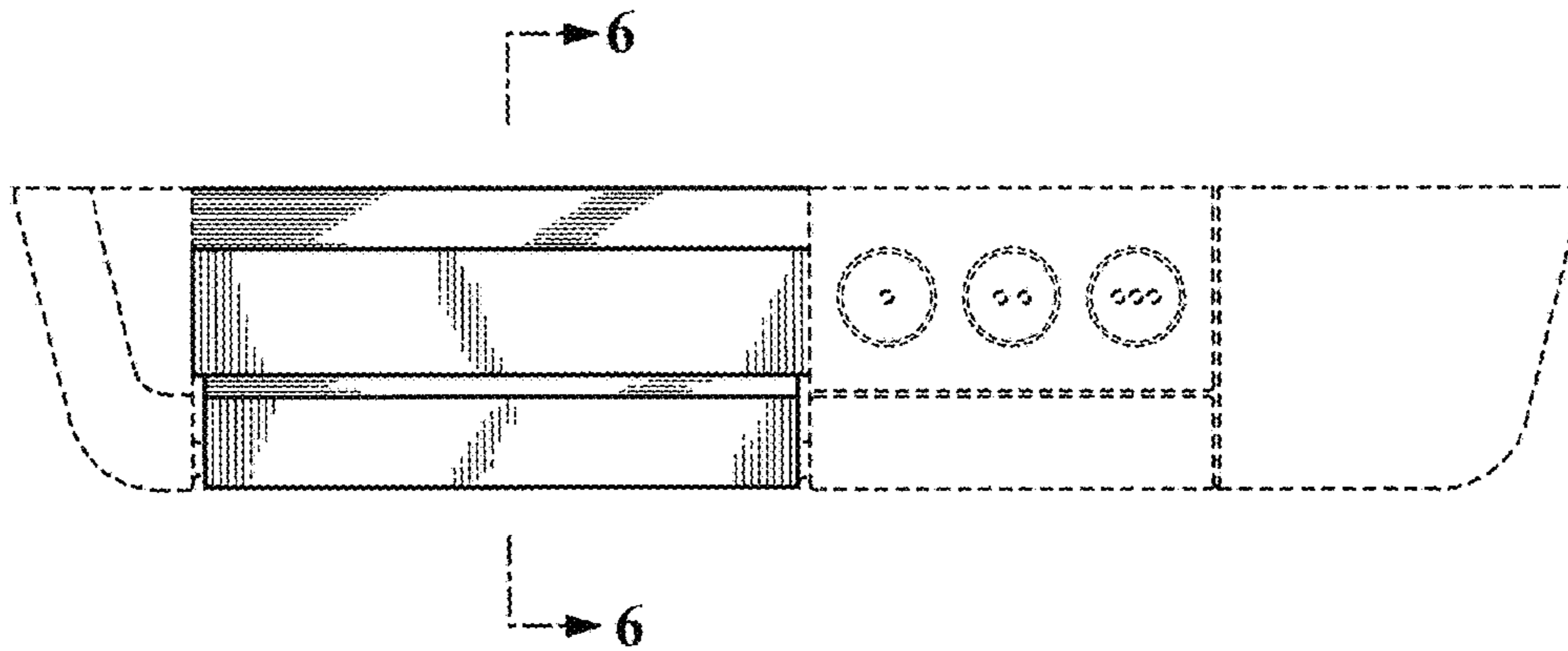


Fig. 3

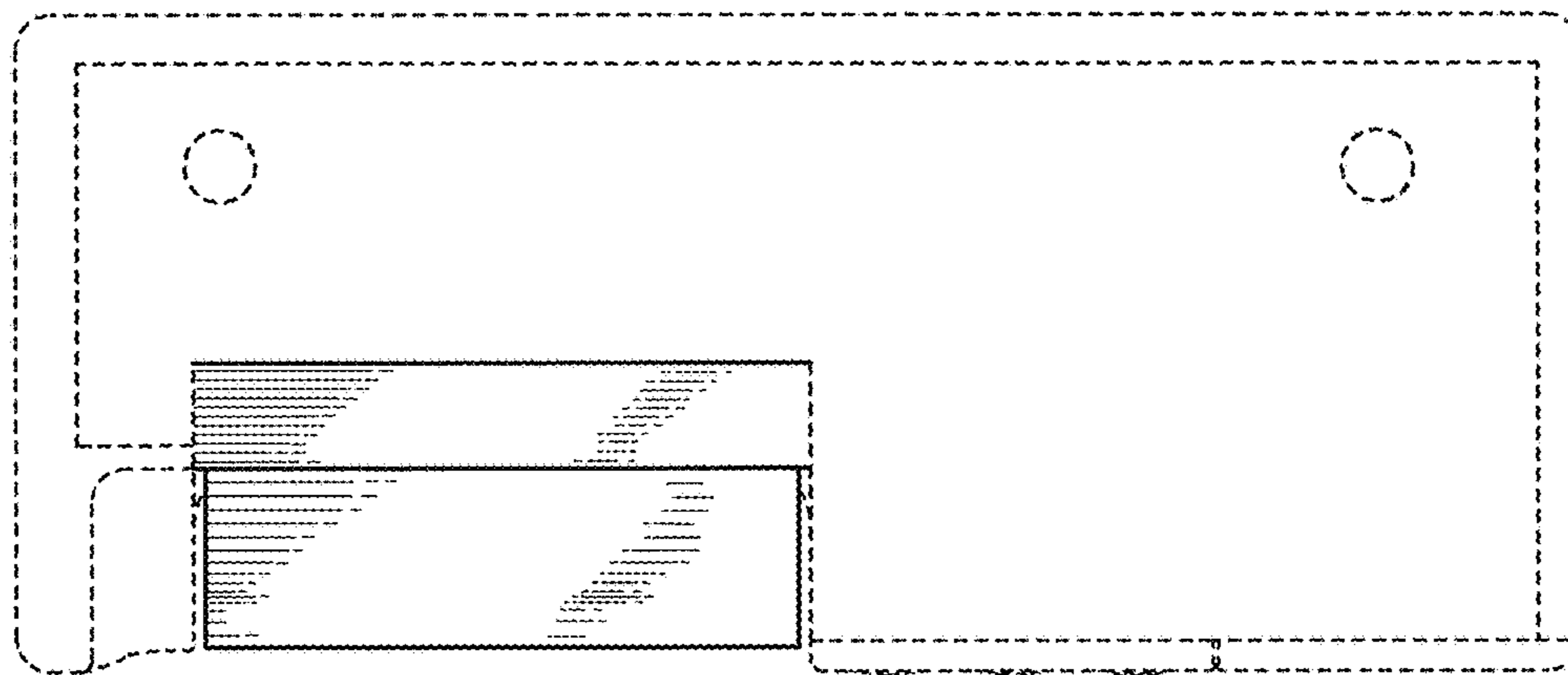


Fig. 4

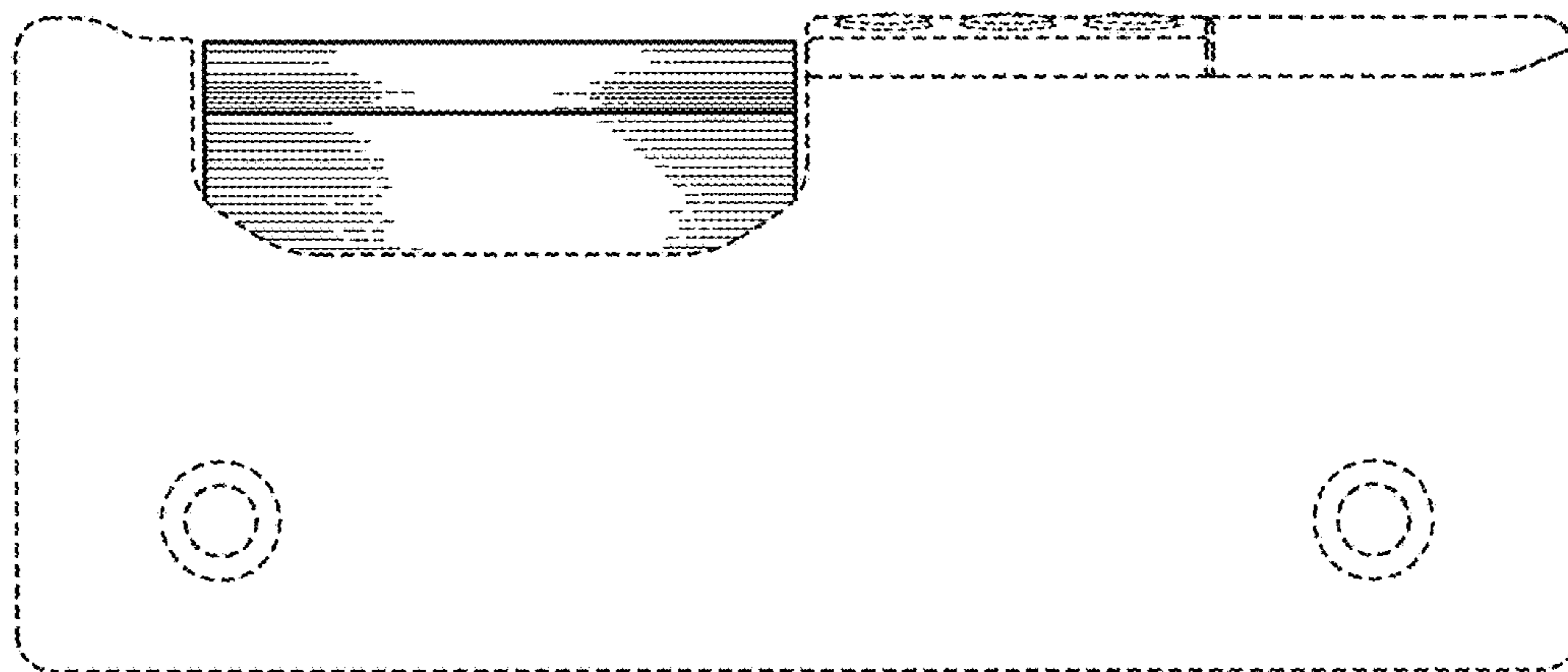


Fig. 5

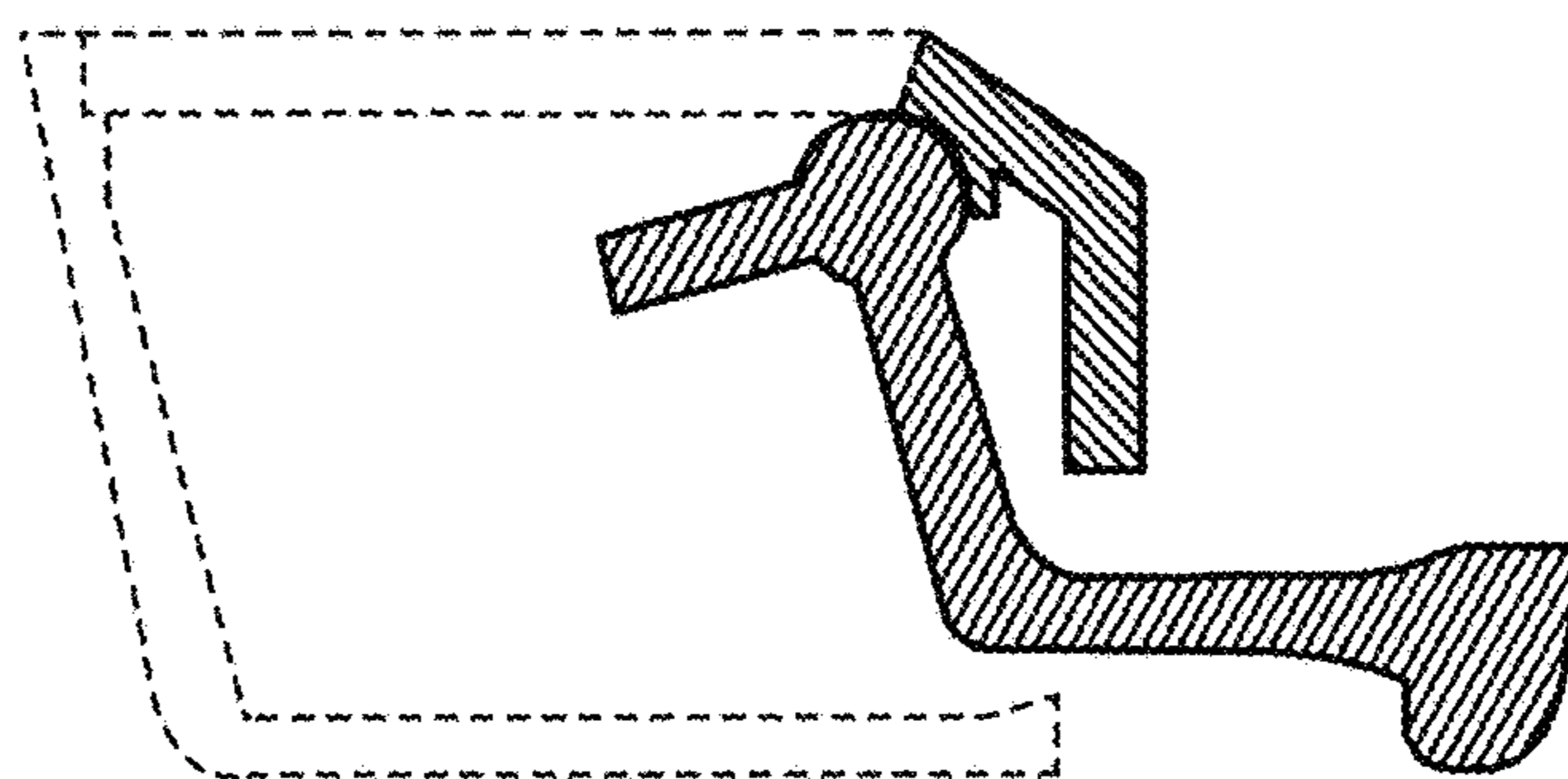


Fig. 6

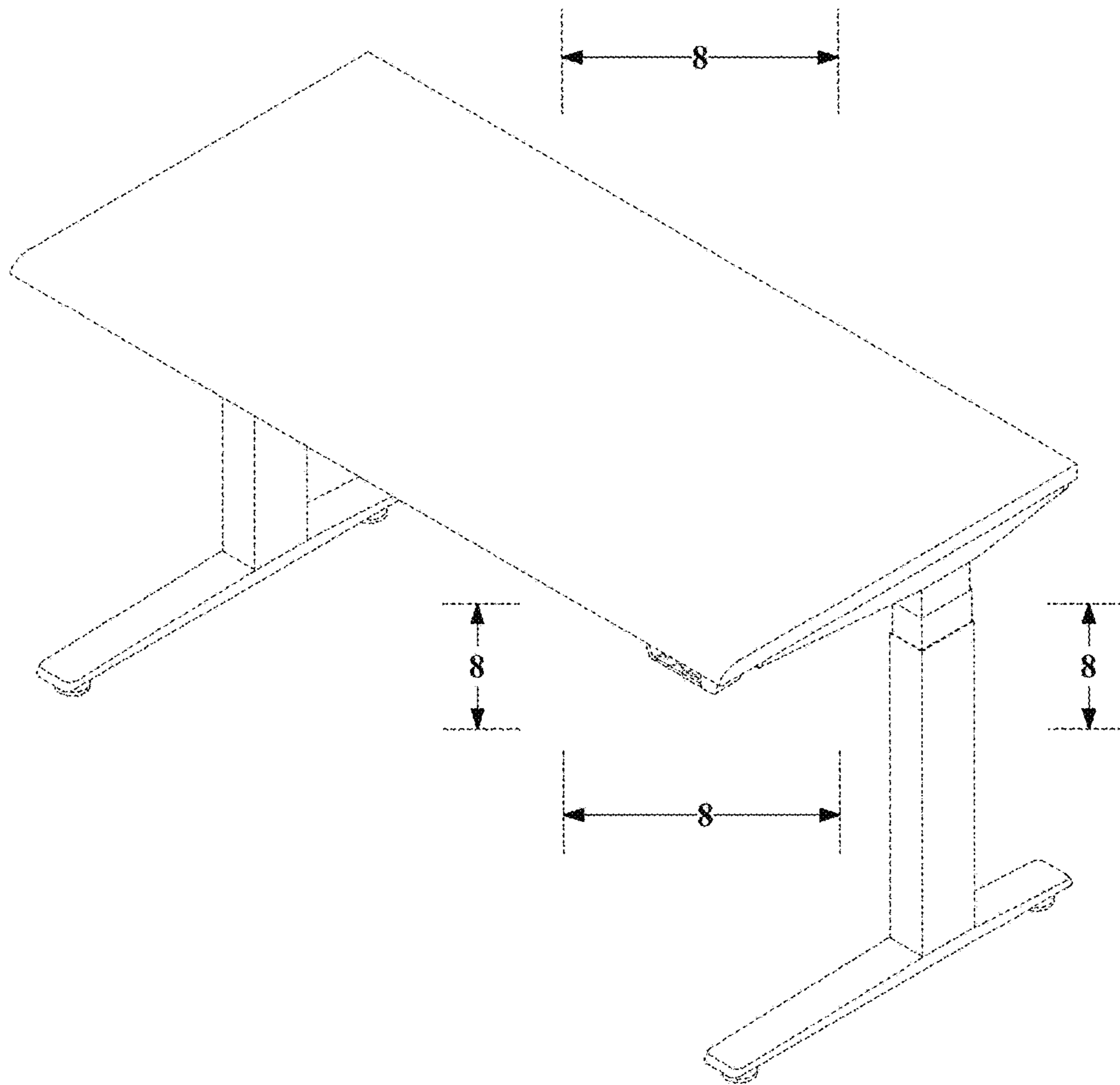


Fig. 7

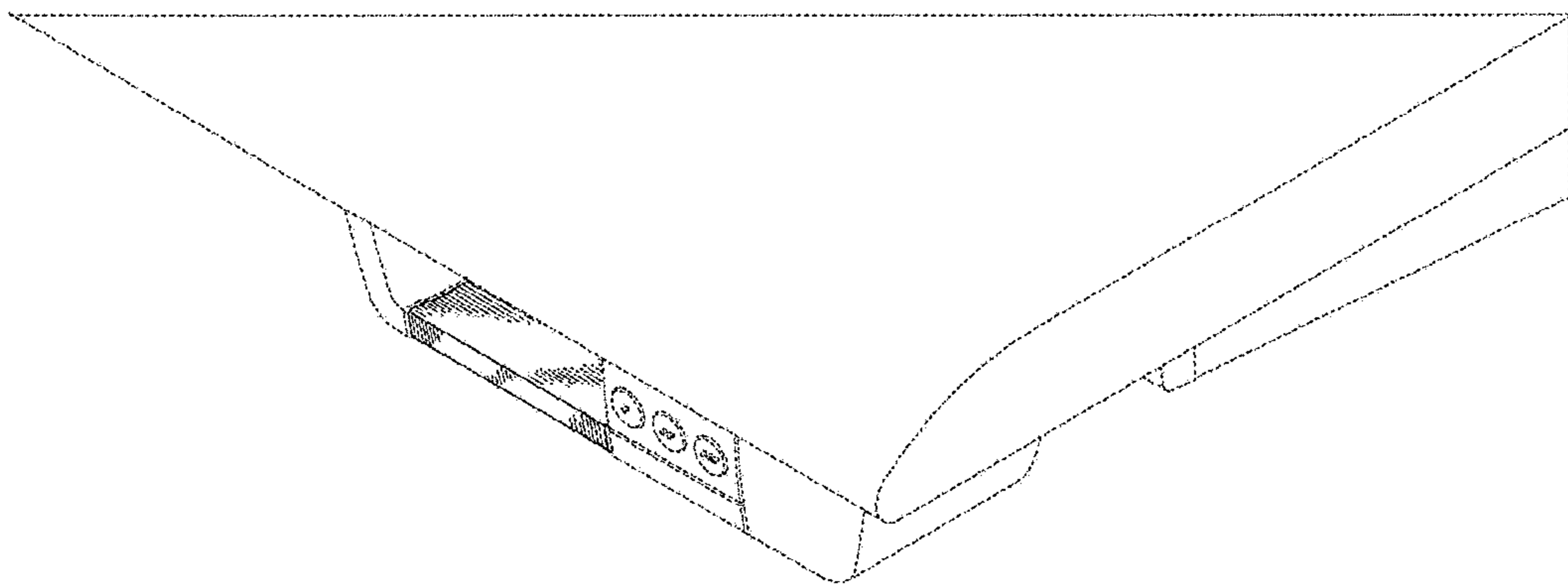


Fig. 8