



US00D860144S

(12) **United States Design Patent**  
**Zhuang**

(10) **Patent No.:** **US D860,144 S**

(45) **Date of Patent:** **\*\* Sep. 17, 2019**

(54) **CONTROLLER**

(71) Applicant: **TIMOTION TECHNOLOGY CO., LTD.**, New Taipei (TW)

(72) Inventor: **Bing-Sen Zhuang**, New Taipei (TW)

(73) Assignee: **TIMOTION TECHNOLOGY CO., LTD.**, New Taipei (TW)

(\*\*) Term: **15 Years**

(21) Appl. No.: **29/614,867**

(22) Filed: **Aug. 23, 2017**

(51) **LOC (12) Cl.** ..... **13-03**

(52) **U.S. Cl.**  
USPC ..... **D13/168**

(58) **Field of Classification Search**  
USPC ..... D13/118, 123, 133, 146, 147, 149, 151,  
D13/154, 156, 162, 164, 167, 168, 173,  
D13/184, 199; D15/148, 199  
CPC ..... F15B 9/09; G05B 11/50; G05B 19/02;  
G05D 16/2053; G05D 16/2093; H01H  
9/0214; H01H 27/06  
See application file for complete search history.

(56) **References Cited**

**U.S. PATENT DOCUMENTS**

D366,043 S *	1/1996	Hara	.....	D14/218
D396,861 S *	8/1998	Yamagishi	.....	D14/218
D485,827 S *	1/2004	Olson	.....	D14/218
D500,029 S *	12/2004	Morisada	.....	D14/218
D600,654 S *	9/2009	Liao	.....	D13/164
D602,878 S *	10/2009	Coleman	.....	D13/168
D609,196 S *	2/2010	Chiang	.....	D13/164
D662,066 S *	6/2012	Seidl	.....	D13/168
D671,505 S *	11/2012	Clark	.....	D13/168
D710,315 S *	8/2014	Tsai	.....	D13/168
D746,266 S *	12/2015	Kwon	.....	D14/218
D766,845 S *	9/2016	Gong	.....	D13/168
D767,511 S *	9/2016	Gong	.....	D13/168

D773,407 S *	12/2016	Kim	.....	D13/168
D817,279 S *	5/2018	Lin	.....	D13/123
D822,216 S *	7/2018	Barker	.....	D24/186
D835,589 S *	12/2018	Zhang	.....	D13/171
D849,699 S *	5/2019	Shen	.....	D13/168
2009/0095602 A1 *	4/2009	Jensen	.....	H01H 9/0214 200/42.02
2009/0160672 A1 *	6/2009	Winther	.....	H01H 9/0214 340/4.31

\* cited by examiner

*Primary Examiner* — Angela J Lee

*Assistant Examiner* — Shawn T Gingrich

(74) *Attorney, Agent, or Firm* — Chun-Ming Shih; HDLS  
IPR Services

(57) **CLAIM**

The ornamental design for a controller, as shown and described.

**DESCRIPTION**

FIG. 1 is a perspective view of a controller showing my new design;

FIG. 2 is a front view thereof;

FIG. 3 is a rear view thereof;

FIG. 4 is a left side view thereof;

FIG. 5 is a right side view thereof;

FIG. 6 is a top view thereof;

FIG. 7 is a bottom view thereof;

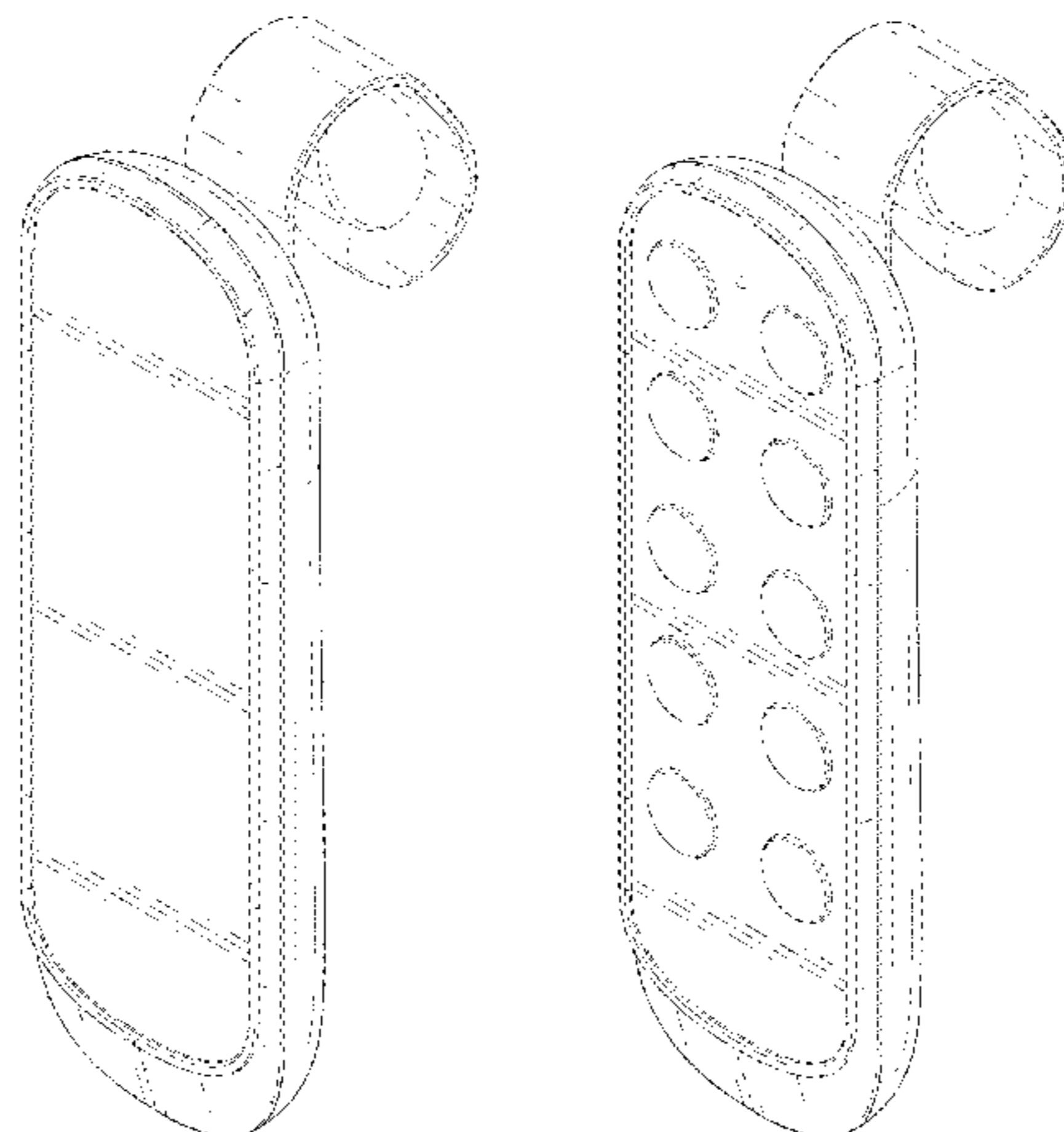
FIG. 8 is second perspective view thereof;

FIG. 9 is a perspective view thereof with buttons shown in broken lines superimposed on a continuous surface; and, FIG. 10 is a second perspective view thereof with structures shown in broken lines superimposed on a continuous surface.

The broken lines in the drawings illustrate portions of the controller that form no part of the claimed design.

The unshaded surfaces shown in FIG. 7 form no part of the claimed design.

**1 Claim, 10 Drawing Sheets**



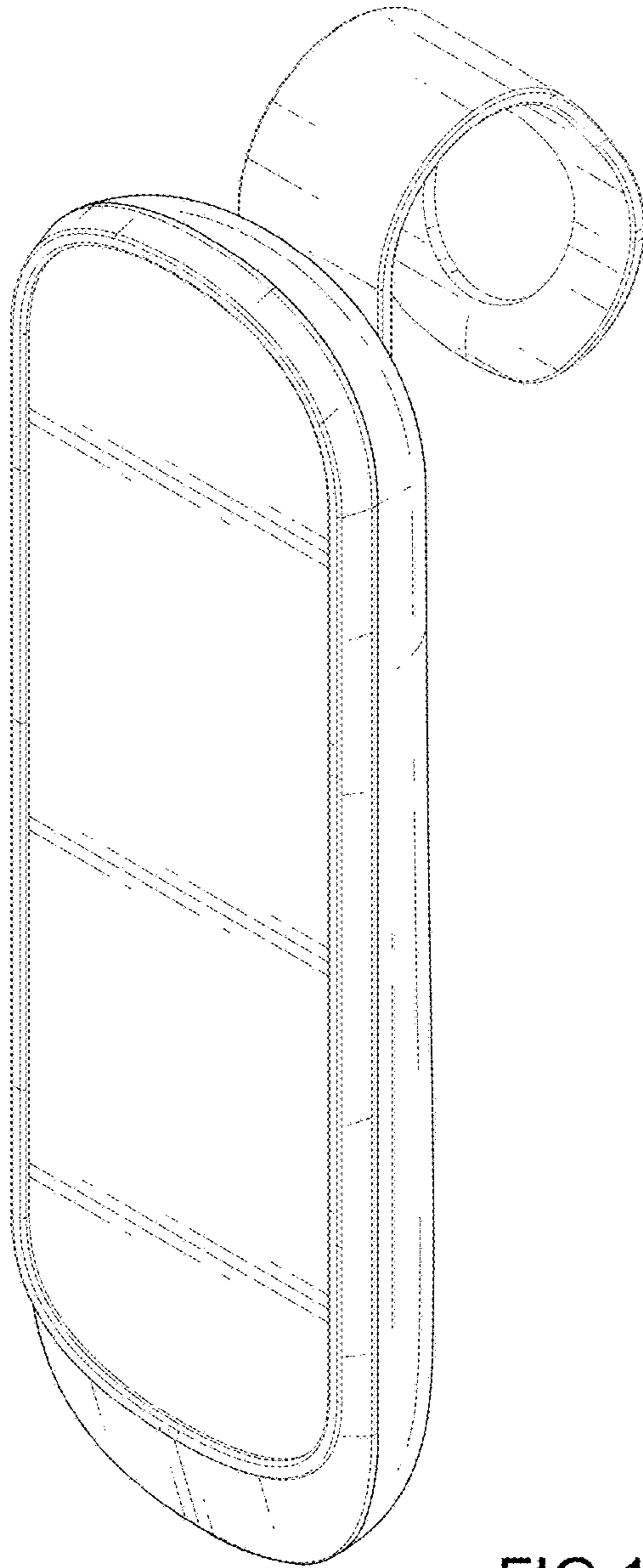


FIG. 1

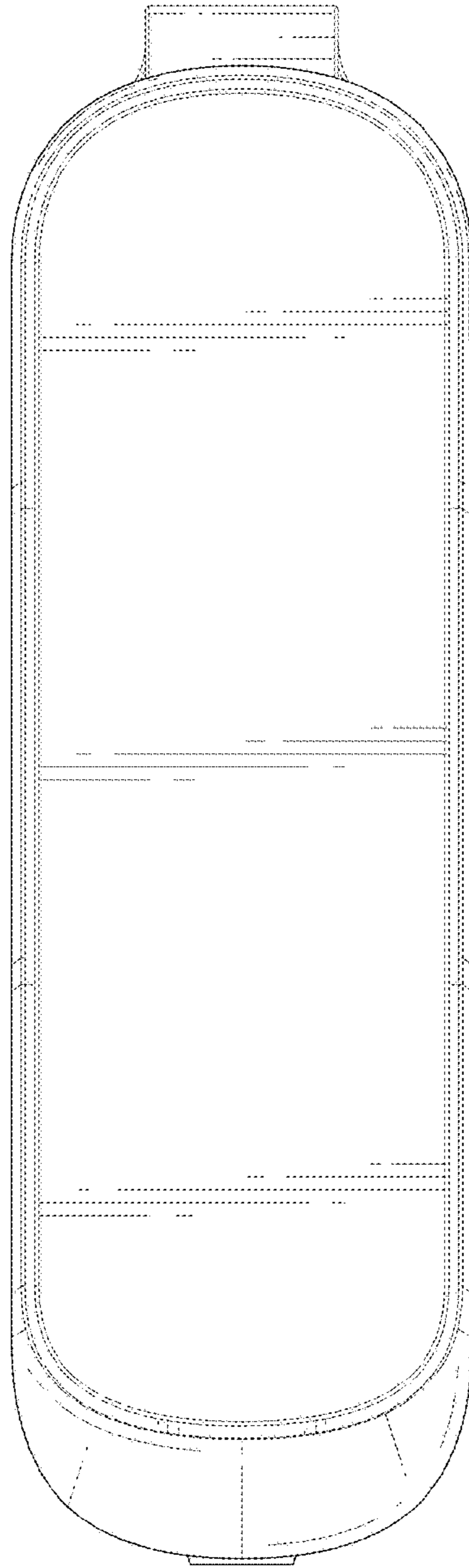


FIG.2

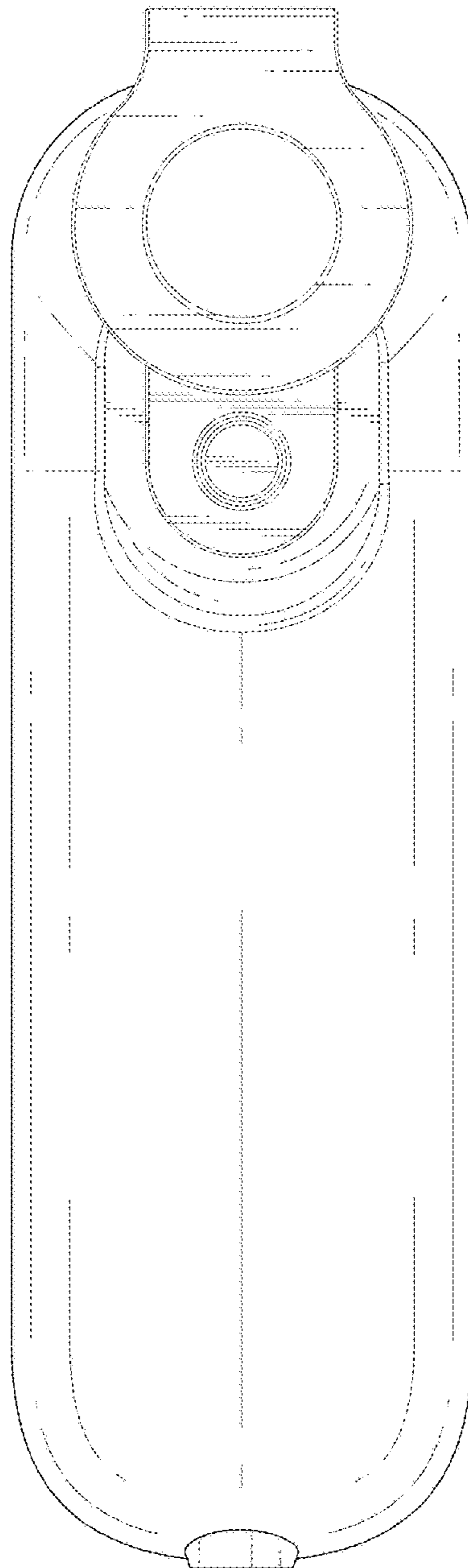


FIG.3

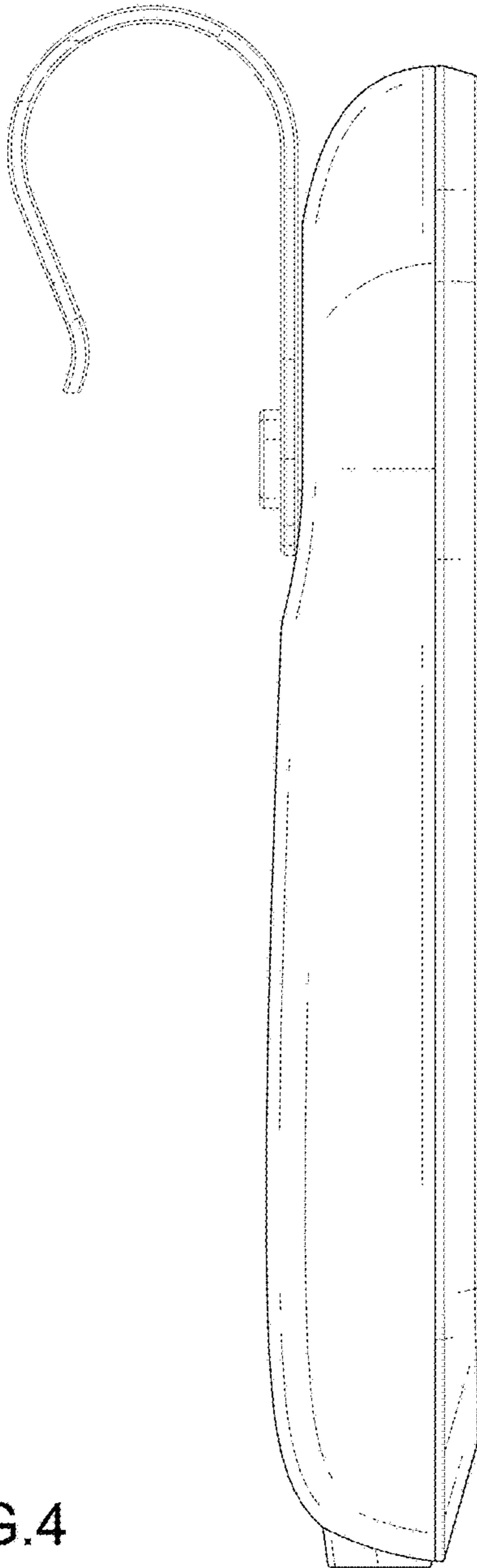


FIG.4

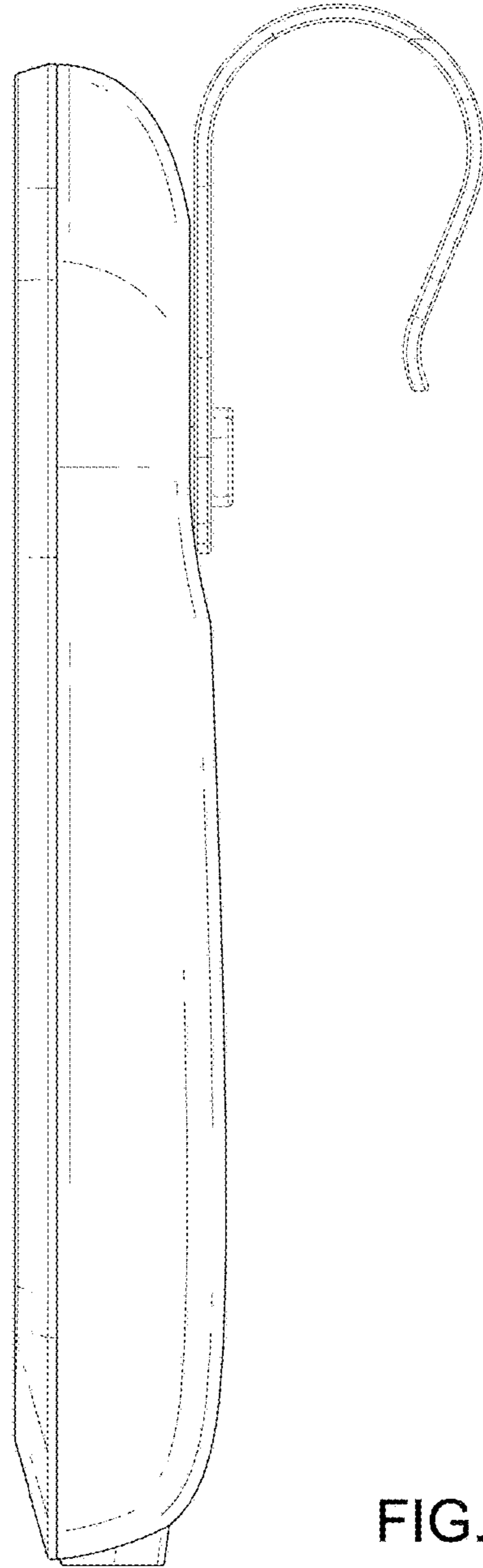


FIG. 5

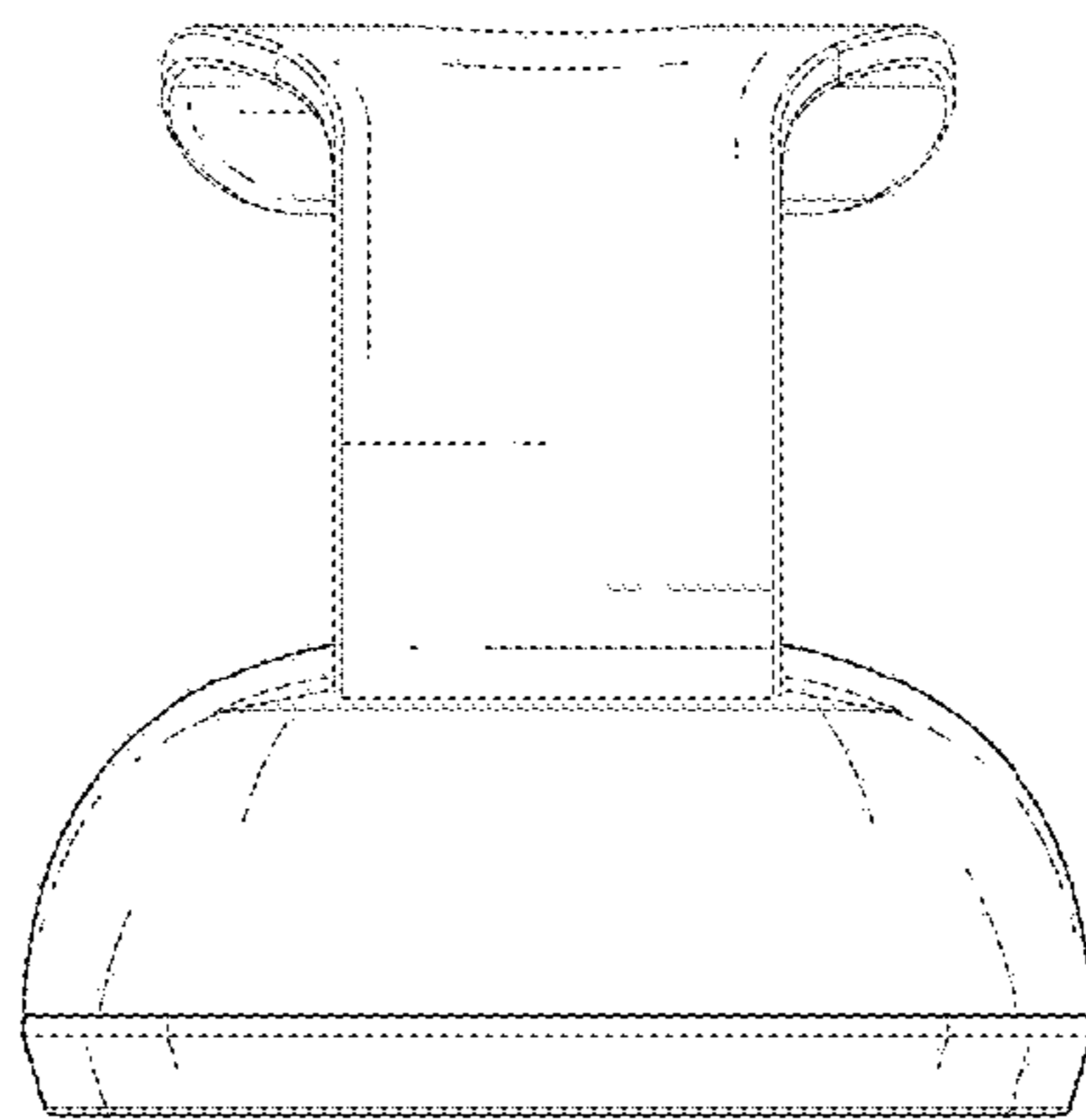


FIG.6

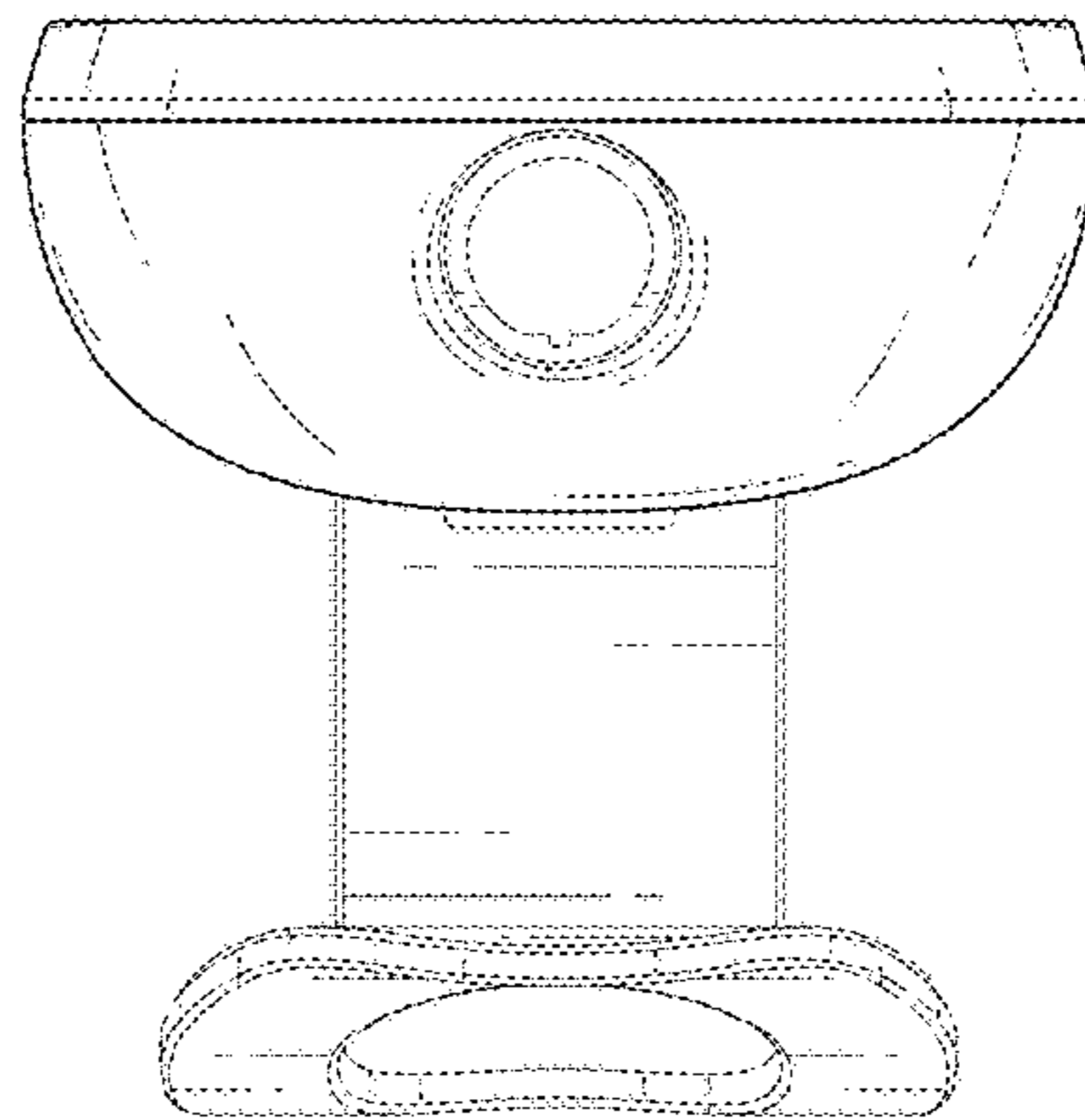


FIG.7



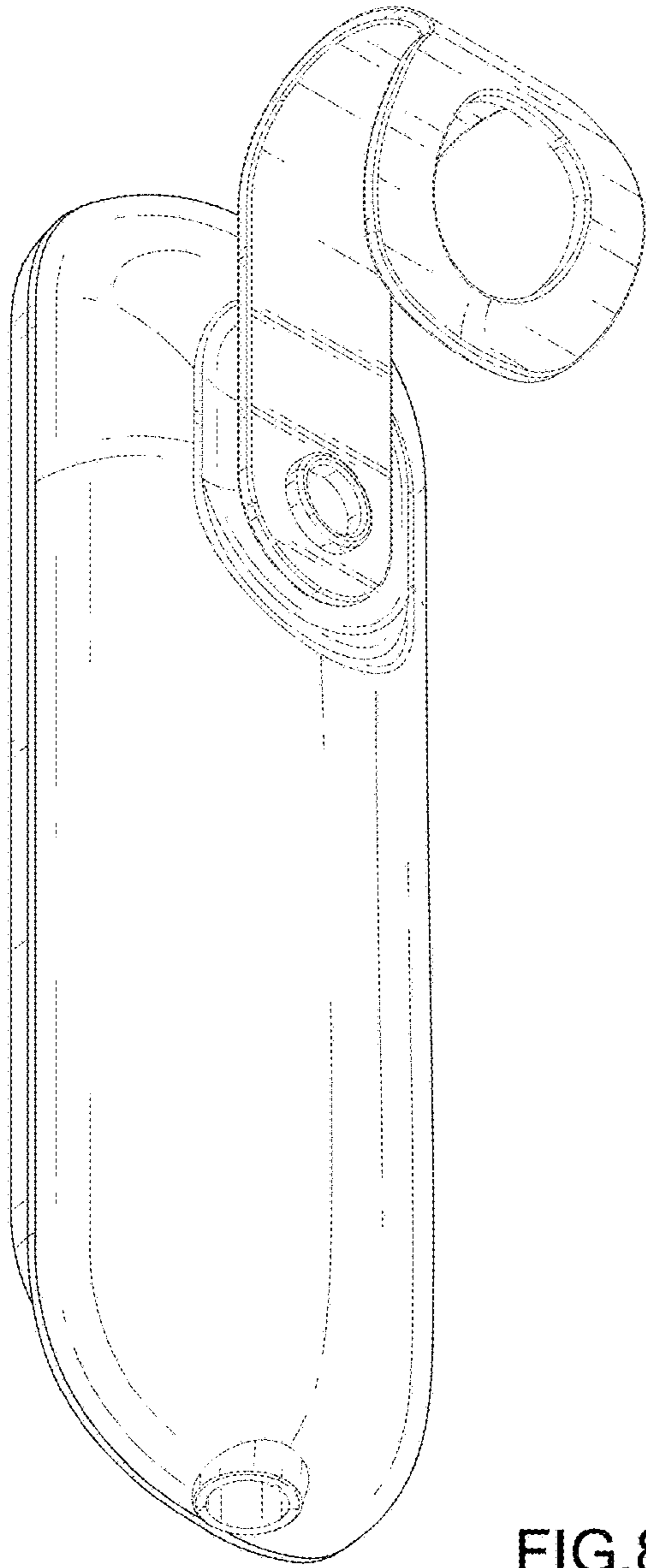


FIG.8

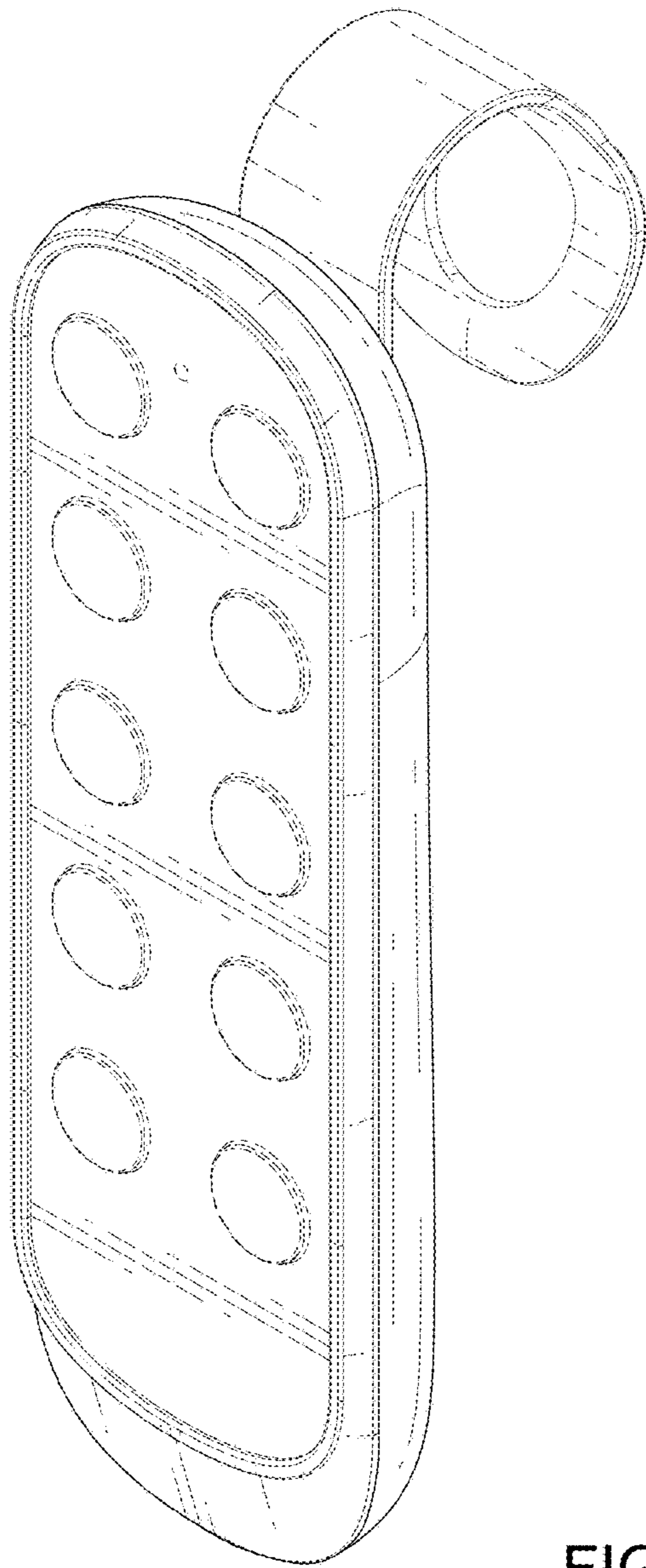


FIG.9

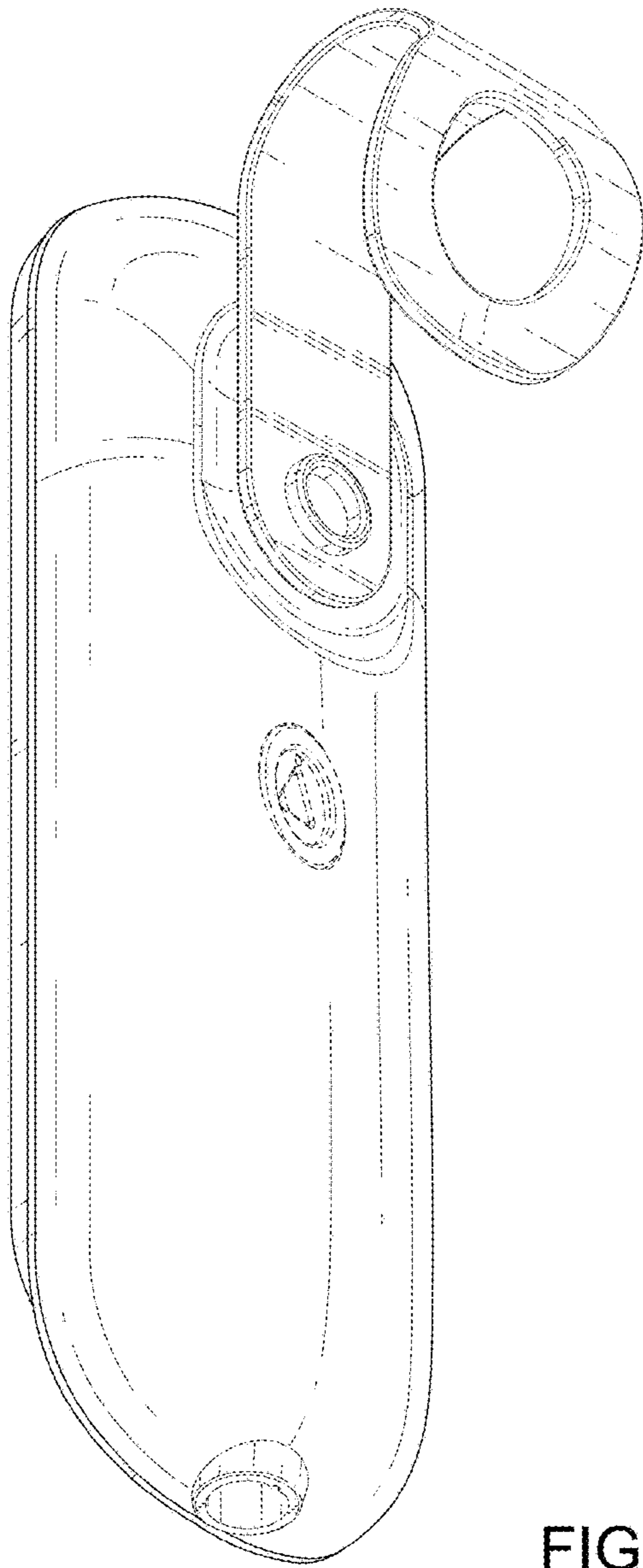


FIG.10