



US00D860142S

(12) **United States Design Patent** (10) **Patent No.:** **US D860,142 S**  
**Childers et al.** (45) **Date of Patent:** **\*\* Sep. 17, 2019**

(54) **SLEEVE FOR FIBER OPTIC CONNECTOR**

(71) Applicant: **US Conec, Ltd.**, Hickory, NC (US)

(72) Inventors: **Darrell R. Childers**, Hickory, NC (US); **Craig M. Conrad**, Hickory, NC (US); **Jason Higley**, Hickory, NC (US); **Jilcha F. Wakjira**, Hickory, NC (US); **Myron W. Yount**, Conover, NC (US); **Michael E. Hughes**, Hickory, NC (US)

(73) Assignee: **US Conec, Ltd**, Hickory, NC (US)

(\*\*) Term: **15 Years**

(21) Appl. No.: **29/663,831**

(22) Filed: **Sep. 19, 2018**

**Related U.S. Application Data**

(63) Continuation of application No. 15/810,353, filed on Nov. 13, 2017.

(51) **LOC (12) Cl.** ..... **13-03**

(52) **U.S. Cl.**  
USPC ..... **D13/156**

(58) **Field of Classification Search**  
USPC ..... D13/120, 121, 123, 133, 154, 156, 158, D13/160, 173, 178, 184, 199  
(Continued)

(56) **References Cited**

**U.S. PATENT DOCUMENTS**

D347,208 S \* 5/1994 Martin ..... D13/133  
D351,587 S \* 10/1994 Puchammer ..... D13/133  
(Continued)

**OTHER PUBLICATIONS**

Amazon.com, "Long Push Pull Sleeve Indicating Orientation." Date accessed: May 30, 2019. Date First Available: Dec. 17, 2016. <https://www.amazon.com/Karono-Multi-mode-Transceivers-Compatible-Application/> (Year: 2016).\*

*Primary Examiner* — Derrick E Holland

*Assistant Examiner* — Jennifer O King

(74) *Attorney, Agent, or Firm* — Michael L. Leetzow, P.A.; Shubhrangshu Sengupta

(57) **CLAIM**

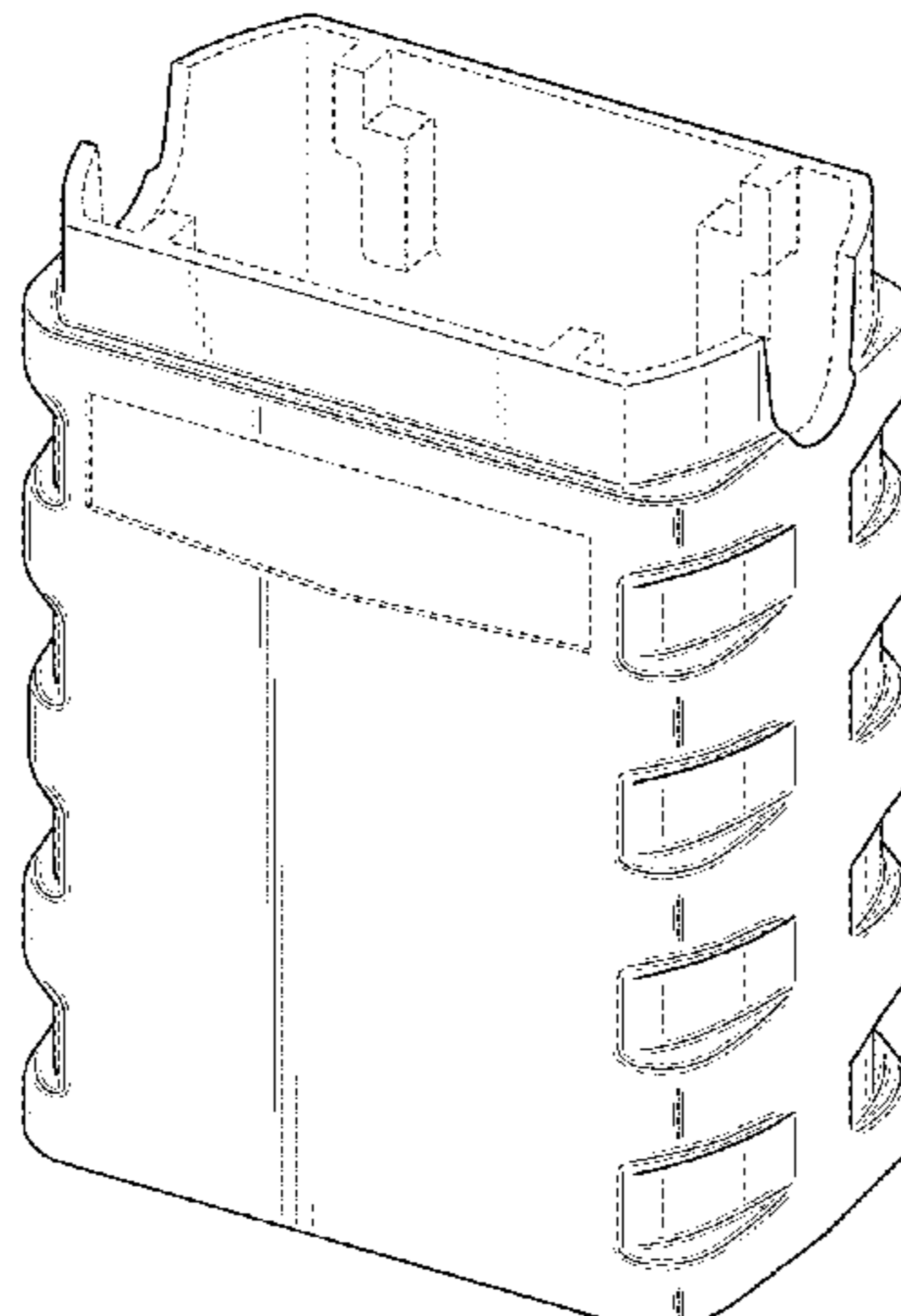
The ornamental design for a sleeve for fiber optic connector, as shown and described.

**DESCRIPTION**

FIG. 1 is a front side perspective view from the top of a sleeve for fiber optic connector showing our new design; FIG. 2 is a front side view of the sleeve for fiber optic connector shown in FIG. 1; FIG. 3 is a back side view of the sleeve for fiber optic connector shown in FIG. 1; FIG. 4 is a left side view of the sleeve for fiber optic connector shown in FIG. 1; FIG. 5 is a right side view of the sleeve for fiber optic connector shown in FIG. 1; FIG. 6 is a top side view of the sleeve for fiber optic connector shown in FIG. 1; FIG. 7 is a bottom side view of the sleeve for fiber optic connector shown in FIG. 1; FIG. 8 is a front side perspective view from the top of a sleeve for fiber optic connector showing our new design; FIG. 9 is a front side view of the sleeve for fiber optic connector shown in FIG. 8; FIG. 10 is a back side view of the sleeve for fiber optic connector shown in FIG. 8; FIG. 11 is a left side view of the sleeve for fiber optic connector shown in FIG. 8; FIG. 12 is a right side view of the sleeve for fiber optic connector shown in FIG. 8; FIG. 13 is a top side view of the sleeve for fiber optic connector shown in FIG. 8; and, FIG. 14 is a bottom side view of the sleeve for fiber optic connector shown in FIG. 8.

The broken lines shown represent portions of the sleeve for fiber optic connector that form no part of the claimed design.

**1 Claim, 10 Drawing Sheets**



(58) **Field of Classification Search**

CPC ..... H01R 13/506; H01R 13/436; H01R  
13/4362; H01R 13/5213; H01R 13/6392;  
G02B 6/3825; G02B 6/3831; G02B  
6/3885; G02B 6/3893; G02B 6/3895

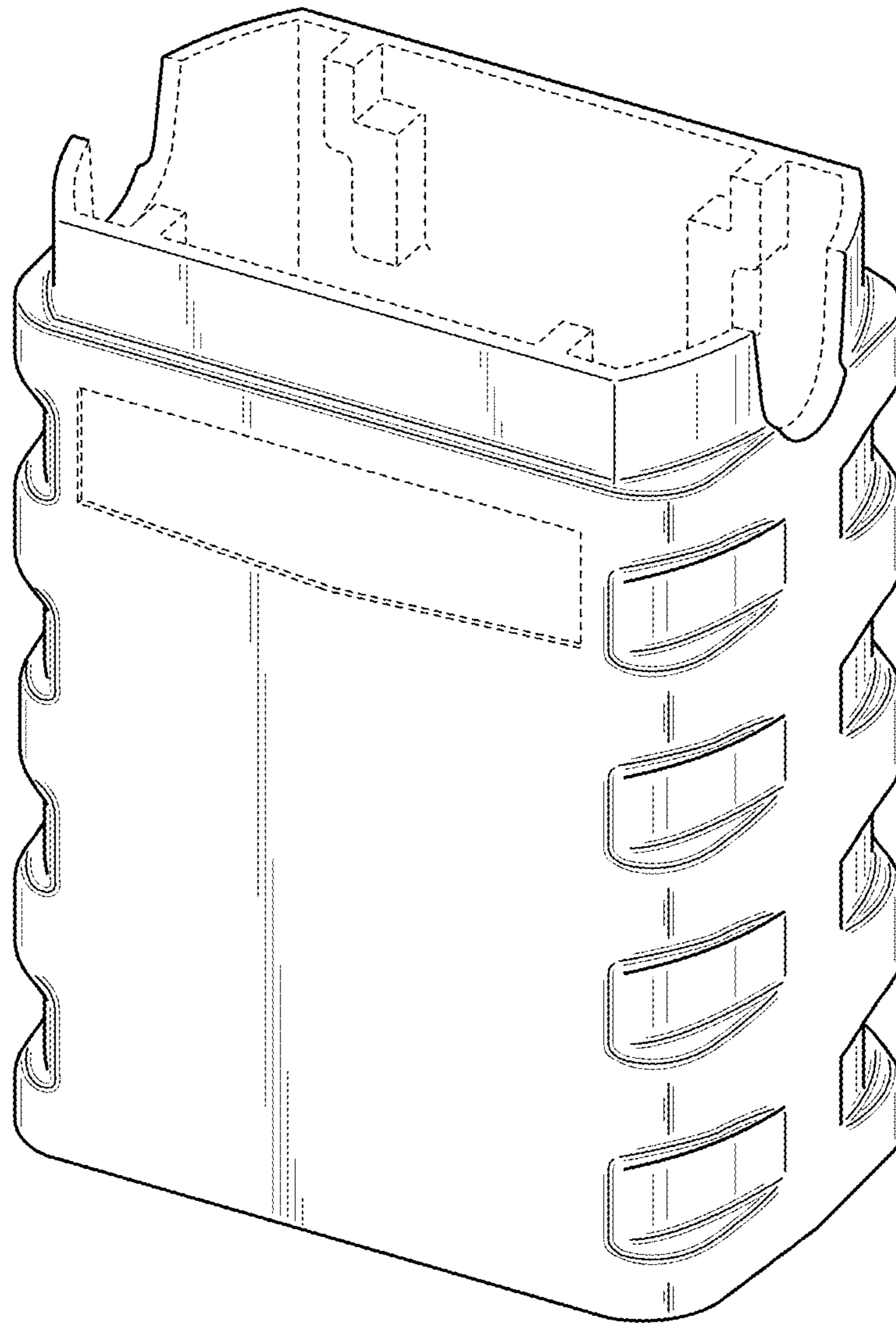
See application file for complete search history.

(56) **References Cited**

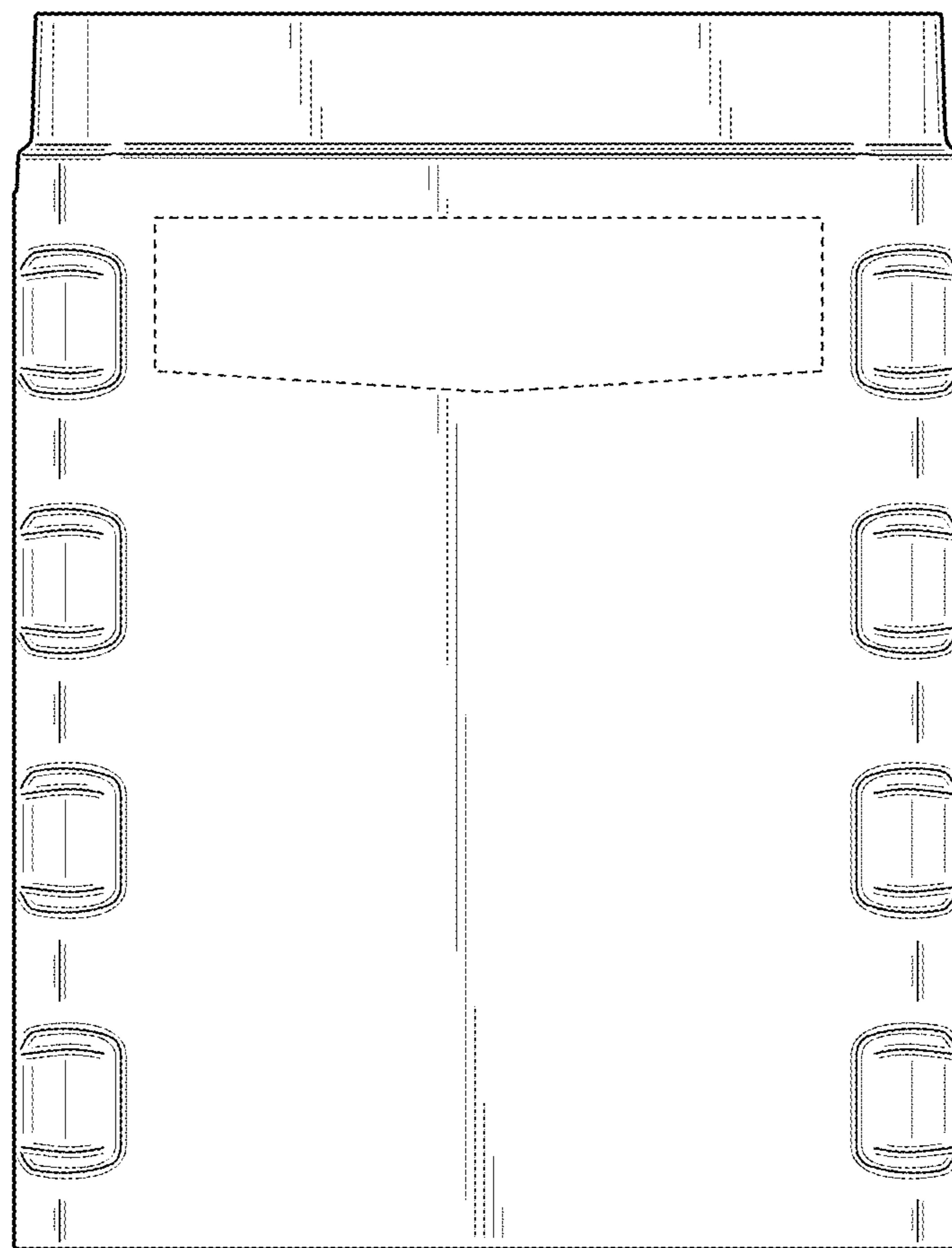
U.S. PATENT DOCUMENTS

D424,016	S *	5/2000	Gipson	.....	D13/133
D424,525	S *	5/2000	Katwala	.....	D13/146
6,146,023	A	11/2000	Weigel		
D460,946	S *	7/2002	Montena	.....	D13/154
6,439,920	B1 *	8/2002	Chen	.....	H01R 4/2404 439/418
D478,321	S *	8/2003	Peng	.....	D13/154
D488,783	S *	4/2004	Goto	.....	D13/147
D494,933	S *	8/2004	Lu	.....	D13/133
D552,560	S *	10/2007	Victor	.....	D13/133
D637,160	S *	5/2011	Hu	.....	D13/147
9,052,474	B2	6/2015	Jiang et al.		
9,658,409	B2 *	5/2017	Gniadek	.....	G02B 6/3885
D823,255	S *	7/2018	De Jong	.....	D13/133
D834,531	S *	11/2018	Maroney	.....	D13/154
2012/0082416	A1	4/2012	Katoh		

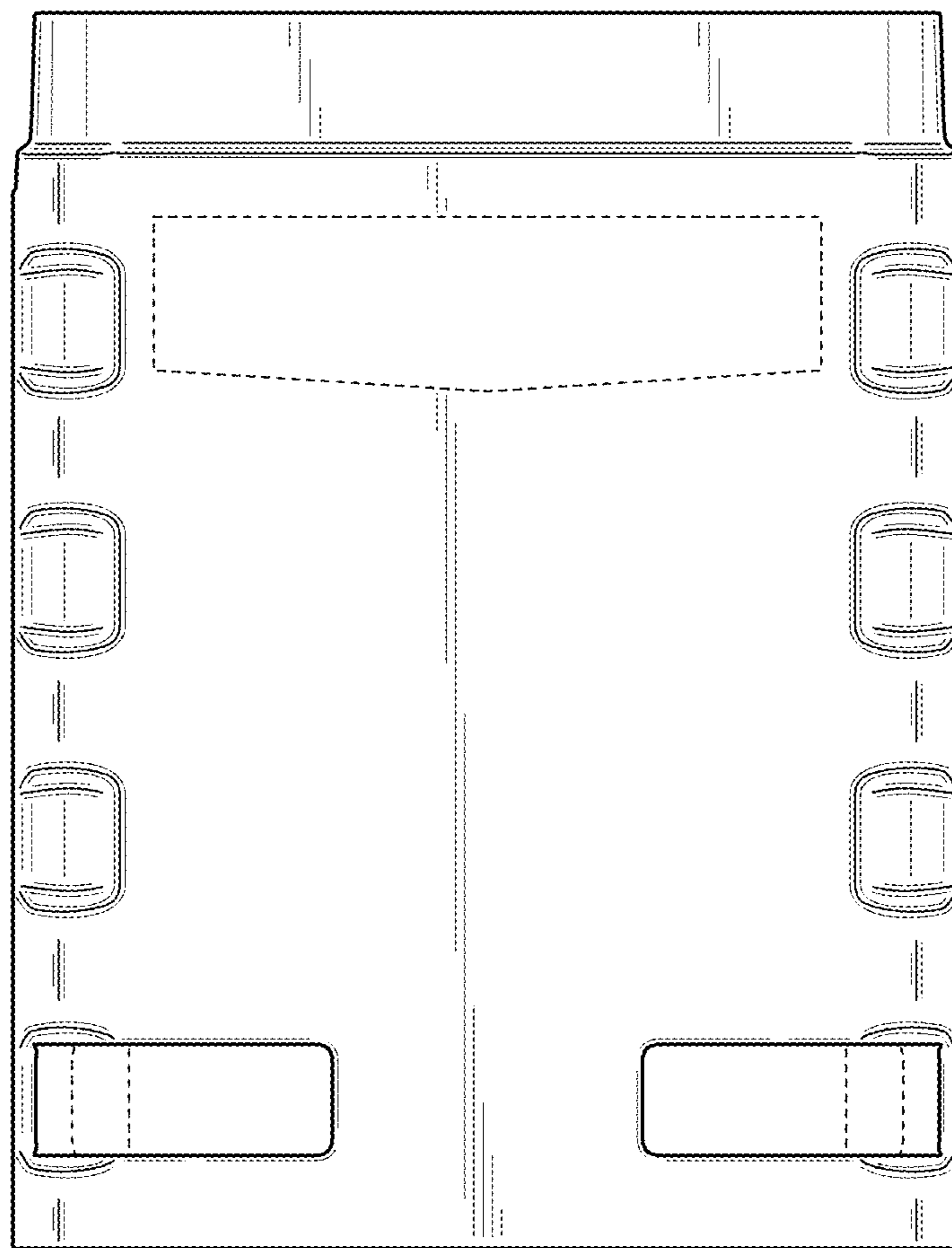
\* cited by examiner



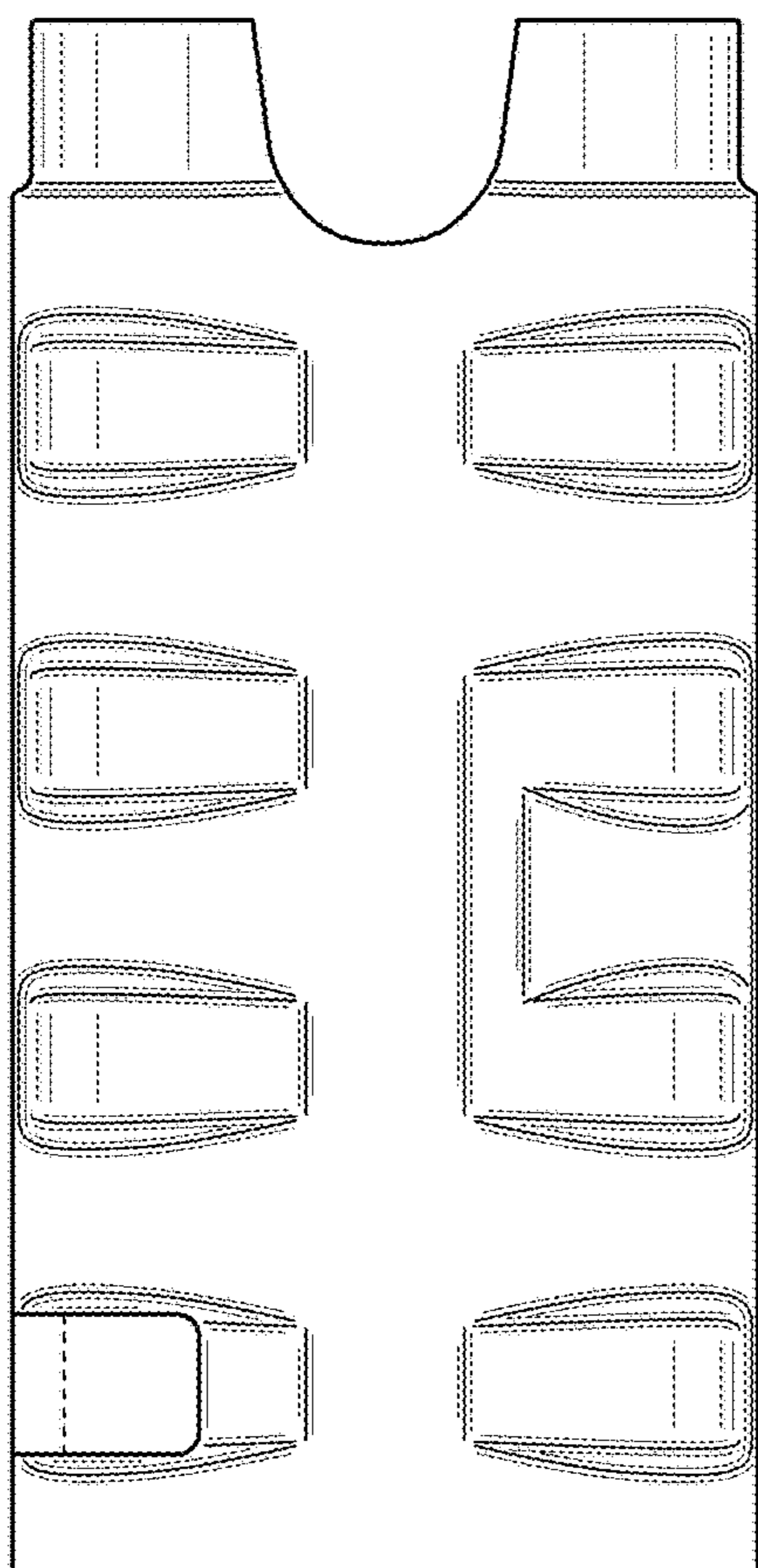
**Fig. 1**



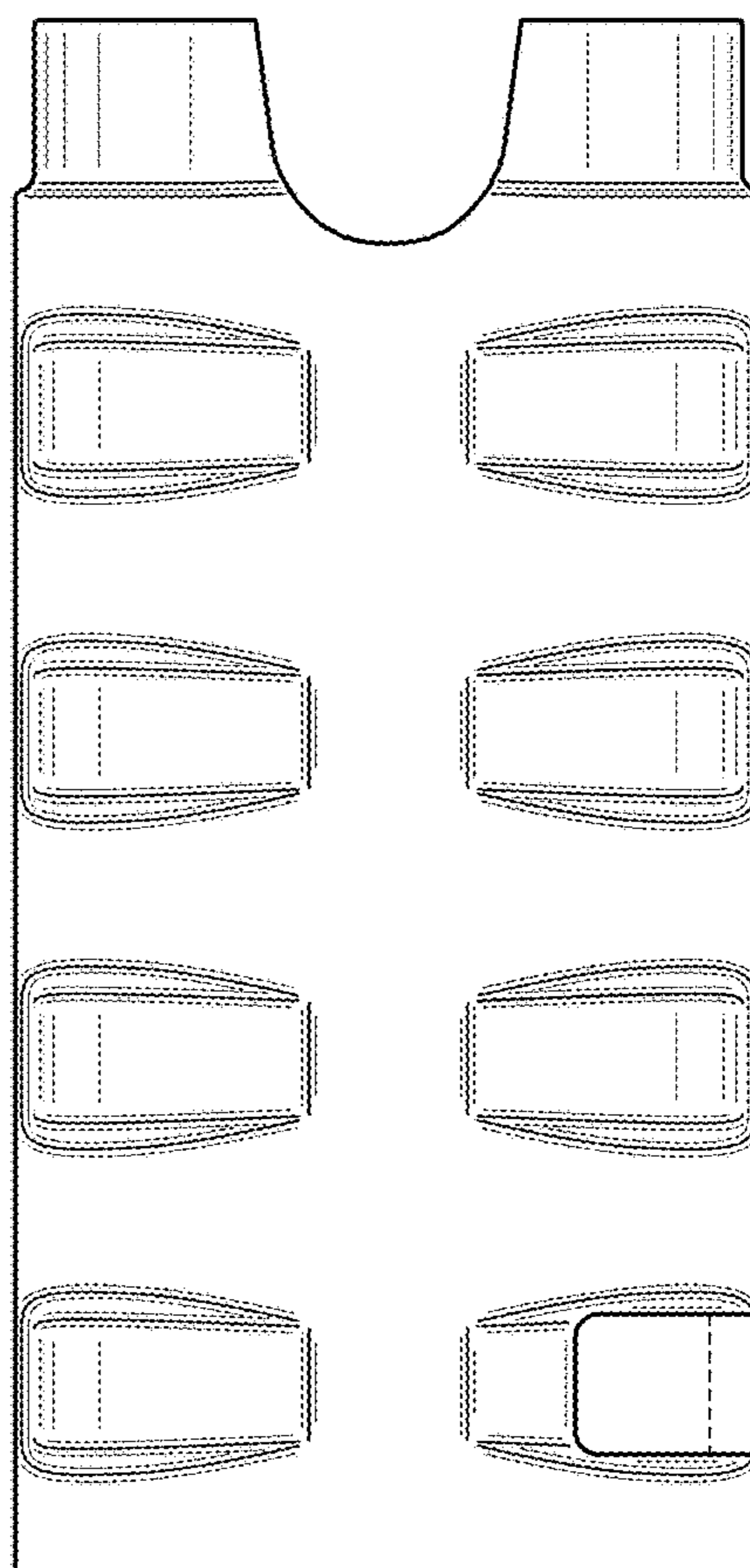
**Fig. 2**



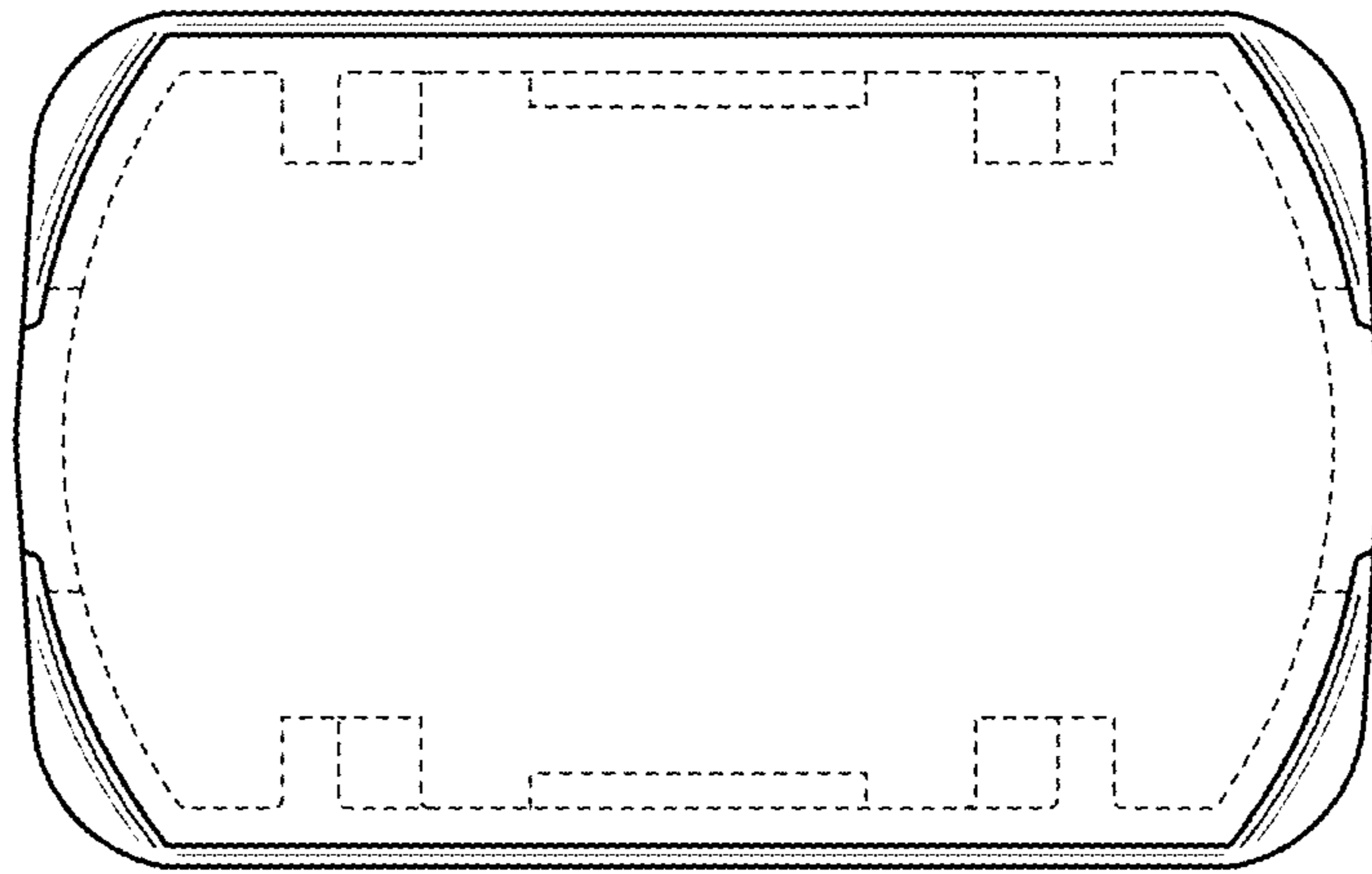
**Fig. 3**



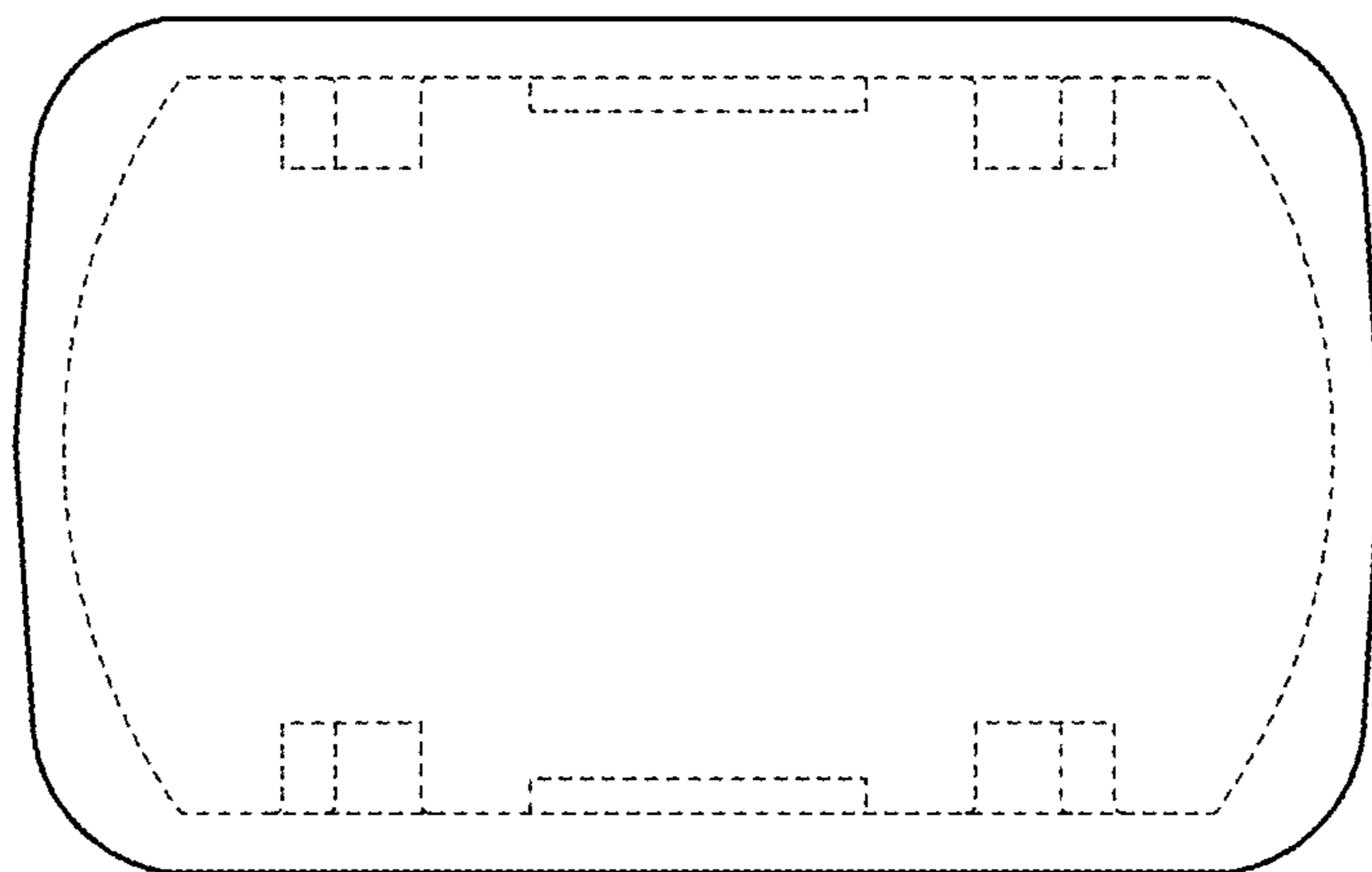
*Fig. 4*



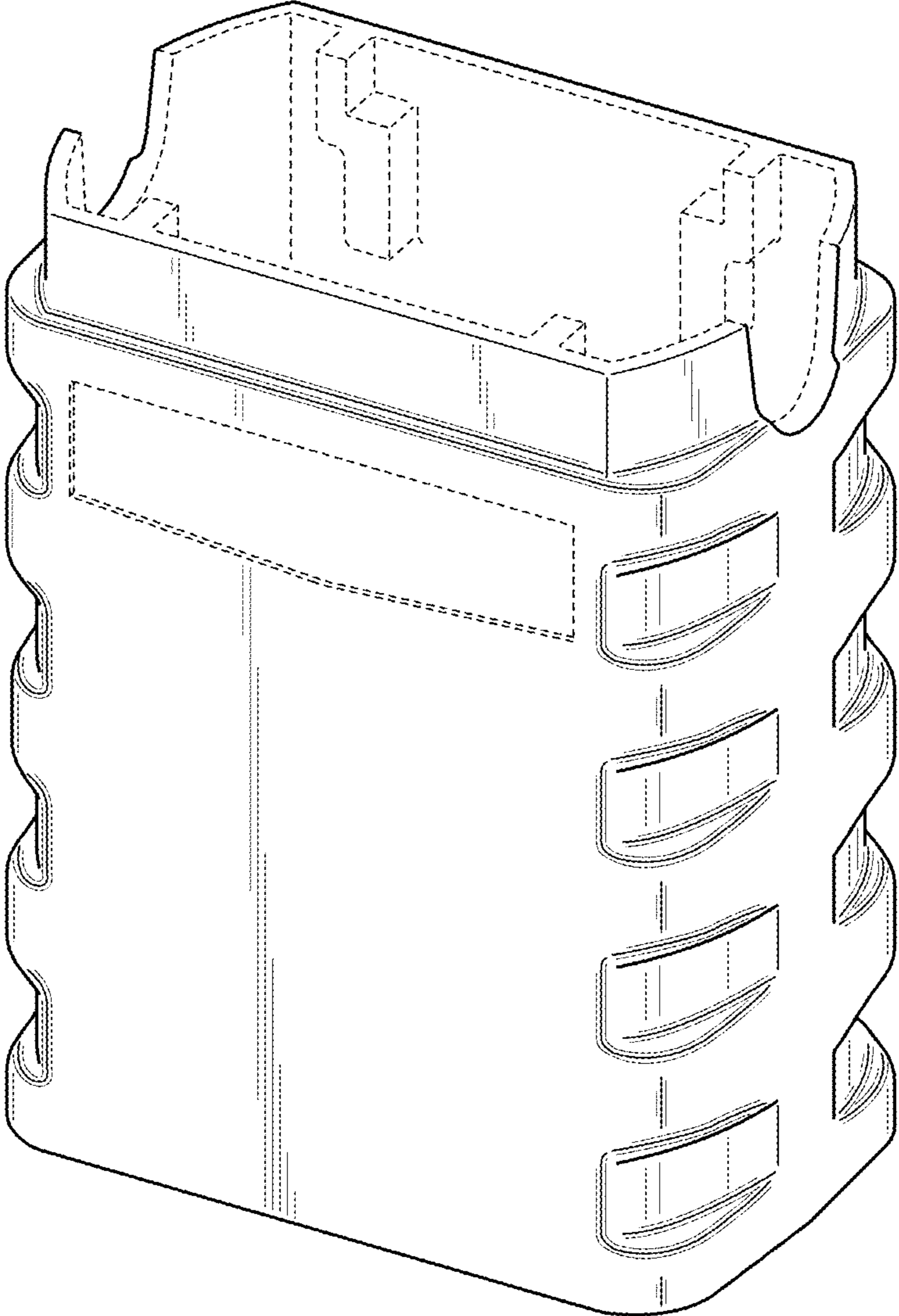
*Fig. 5*



**Fig. 6**

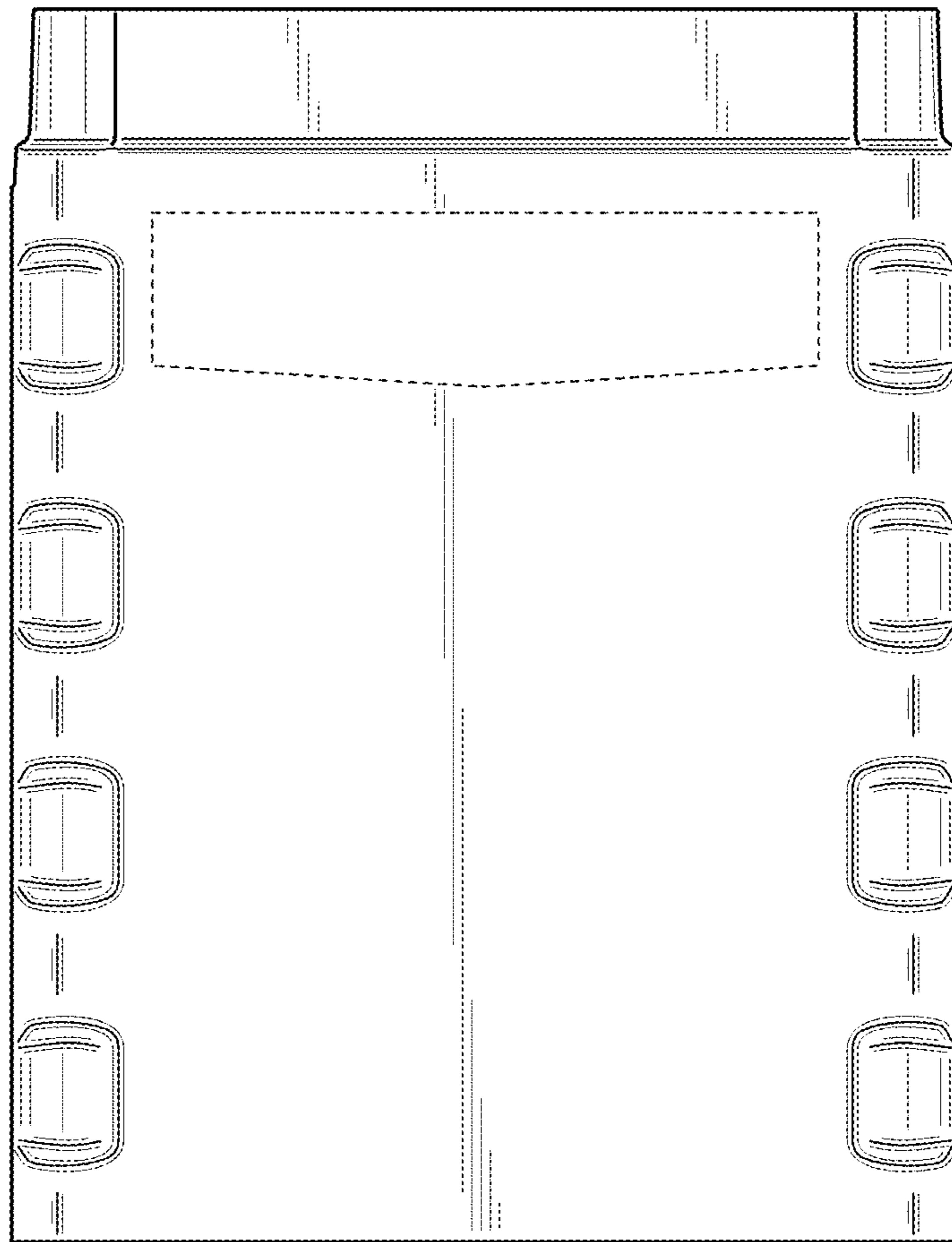


**Fig. 7**

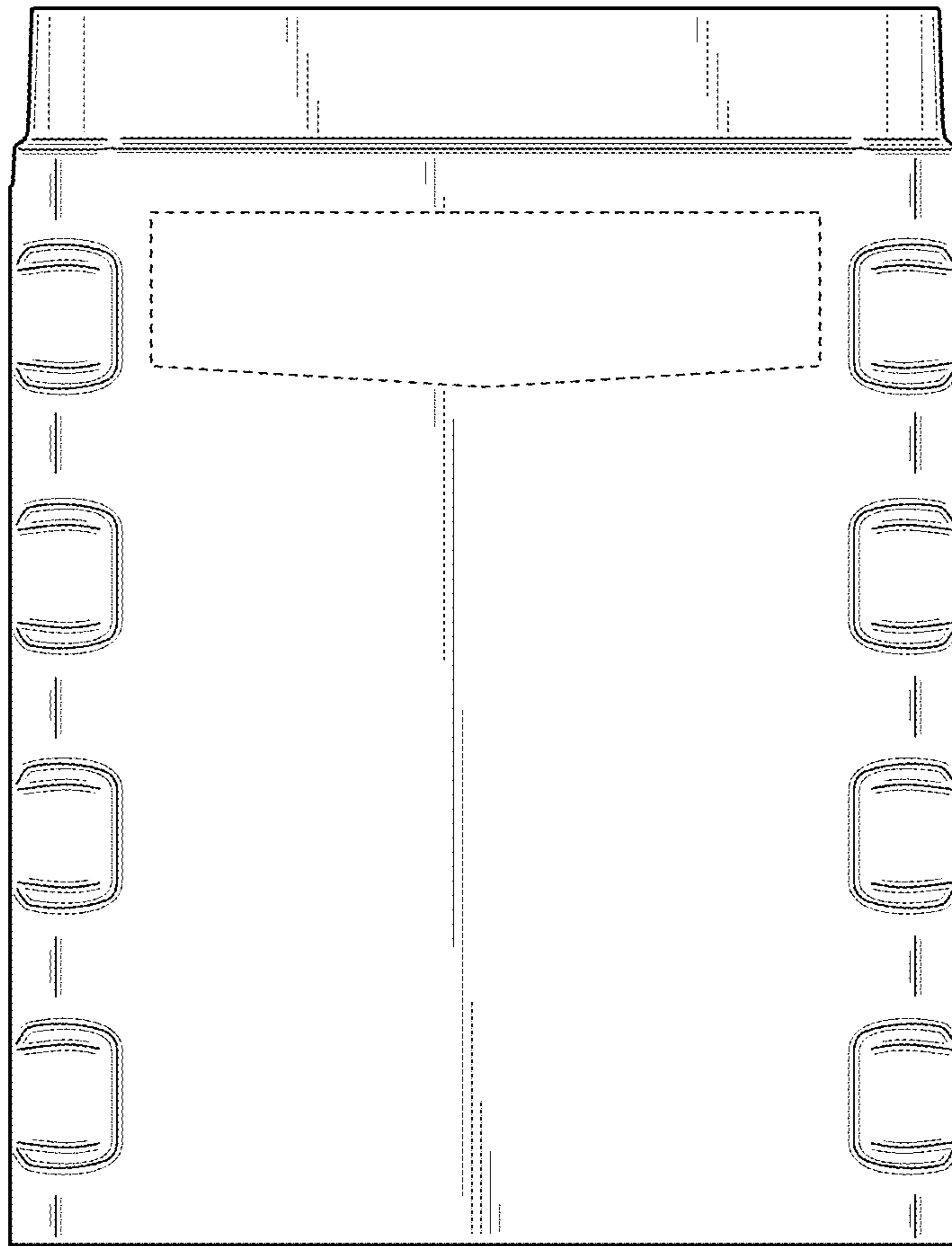


**Fig. 8**

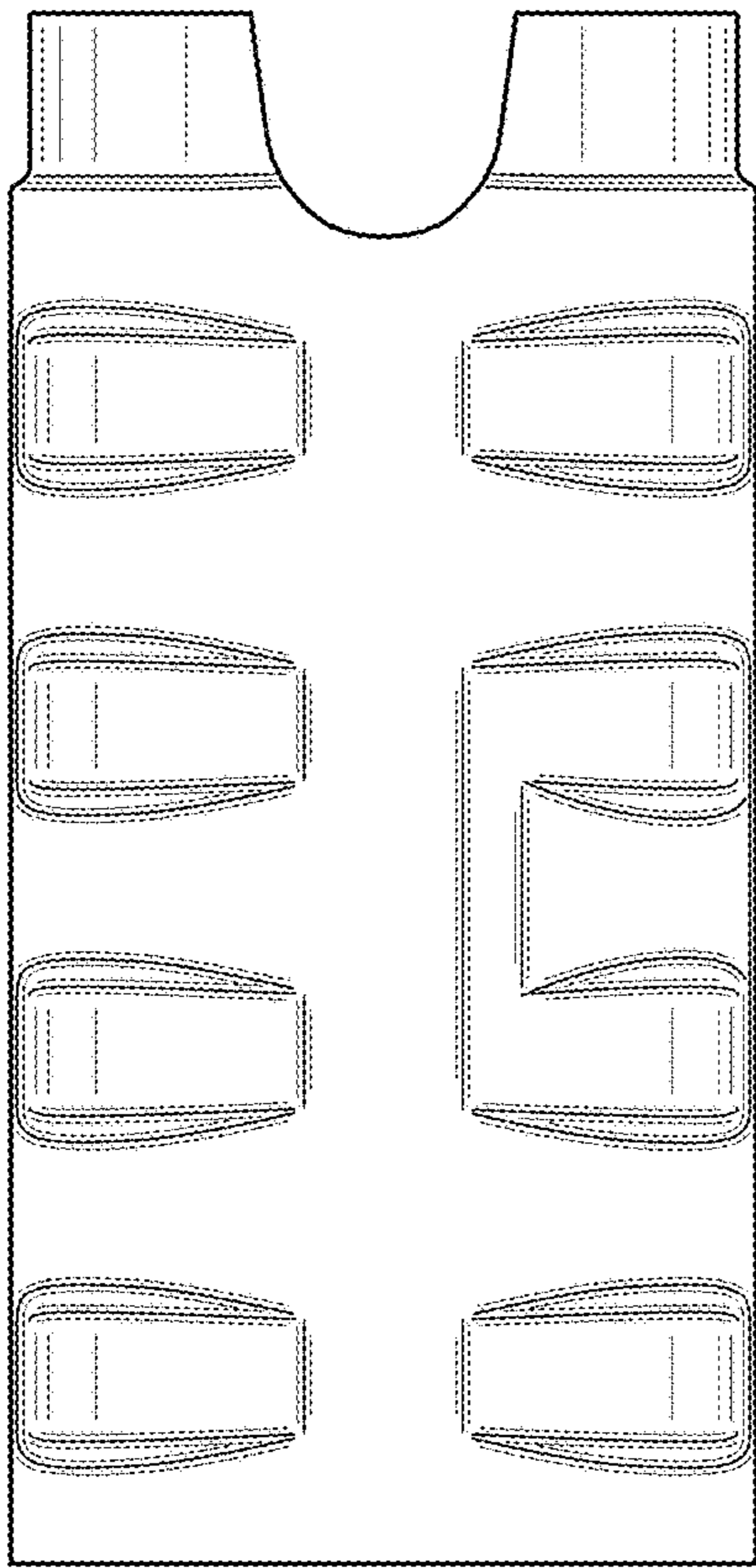




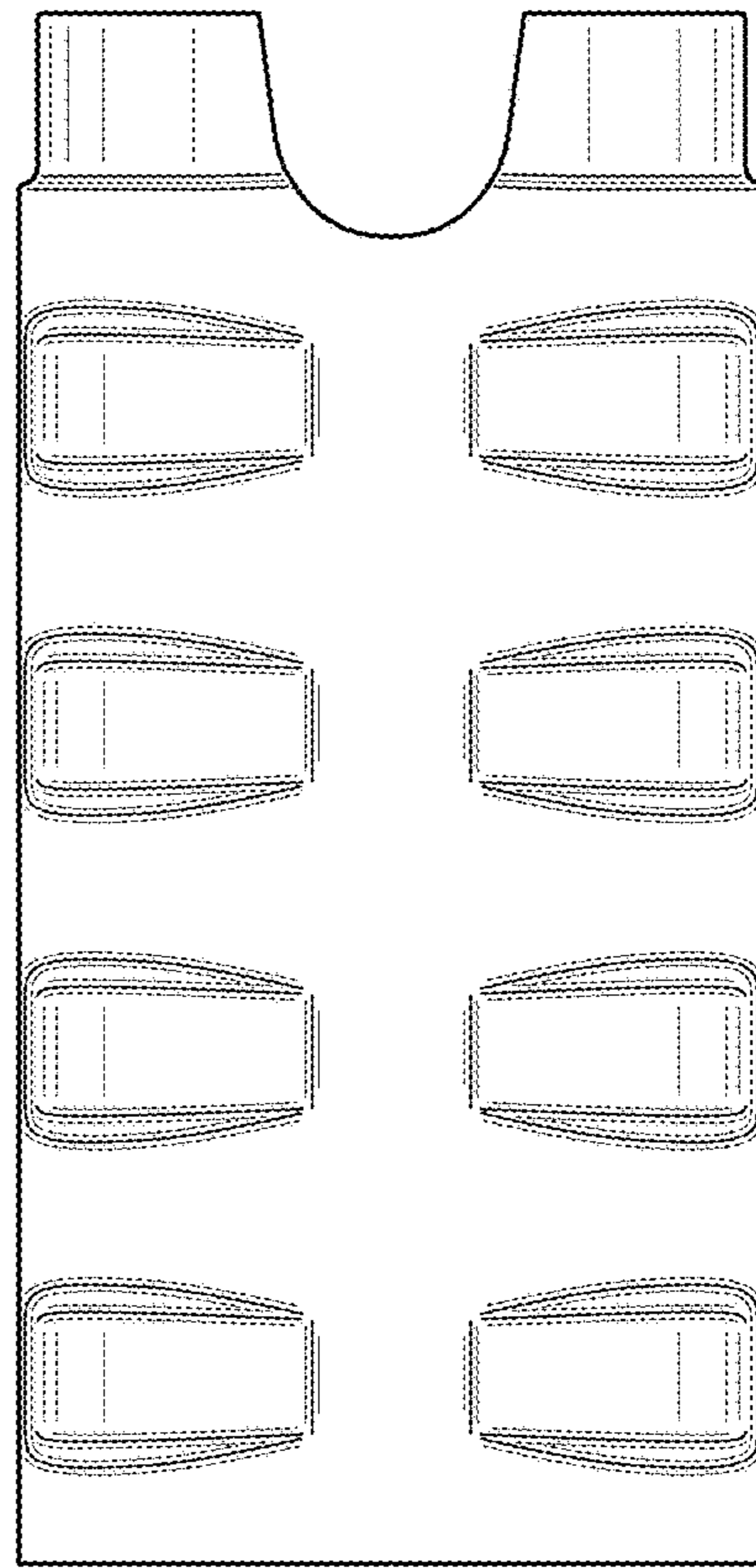
**Fig. 9**



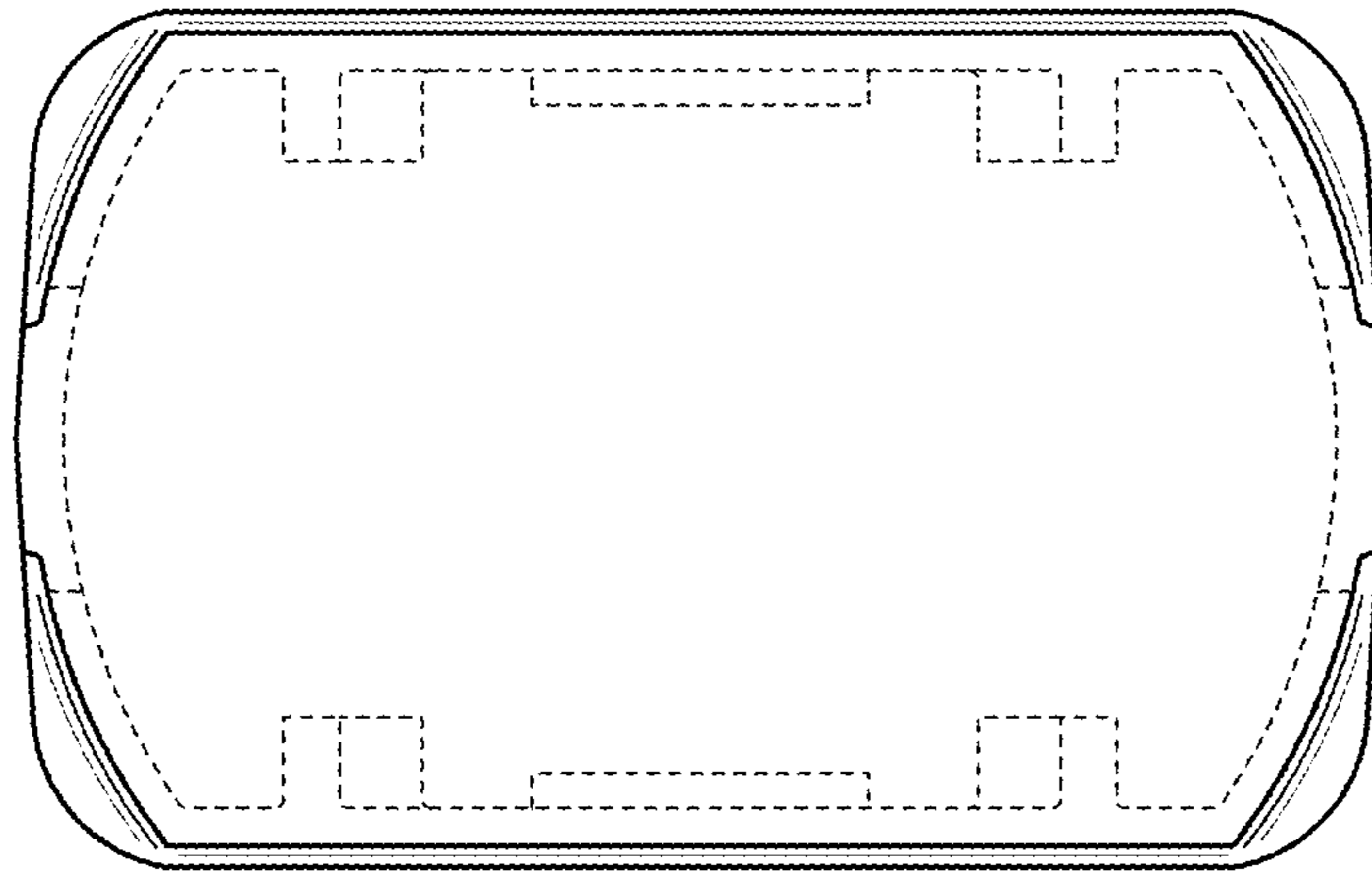
**Fig. 10**



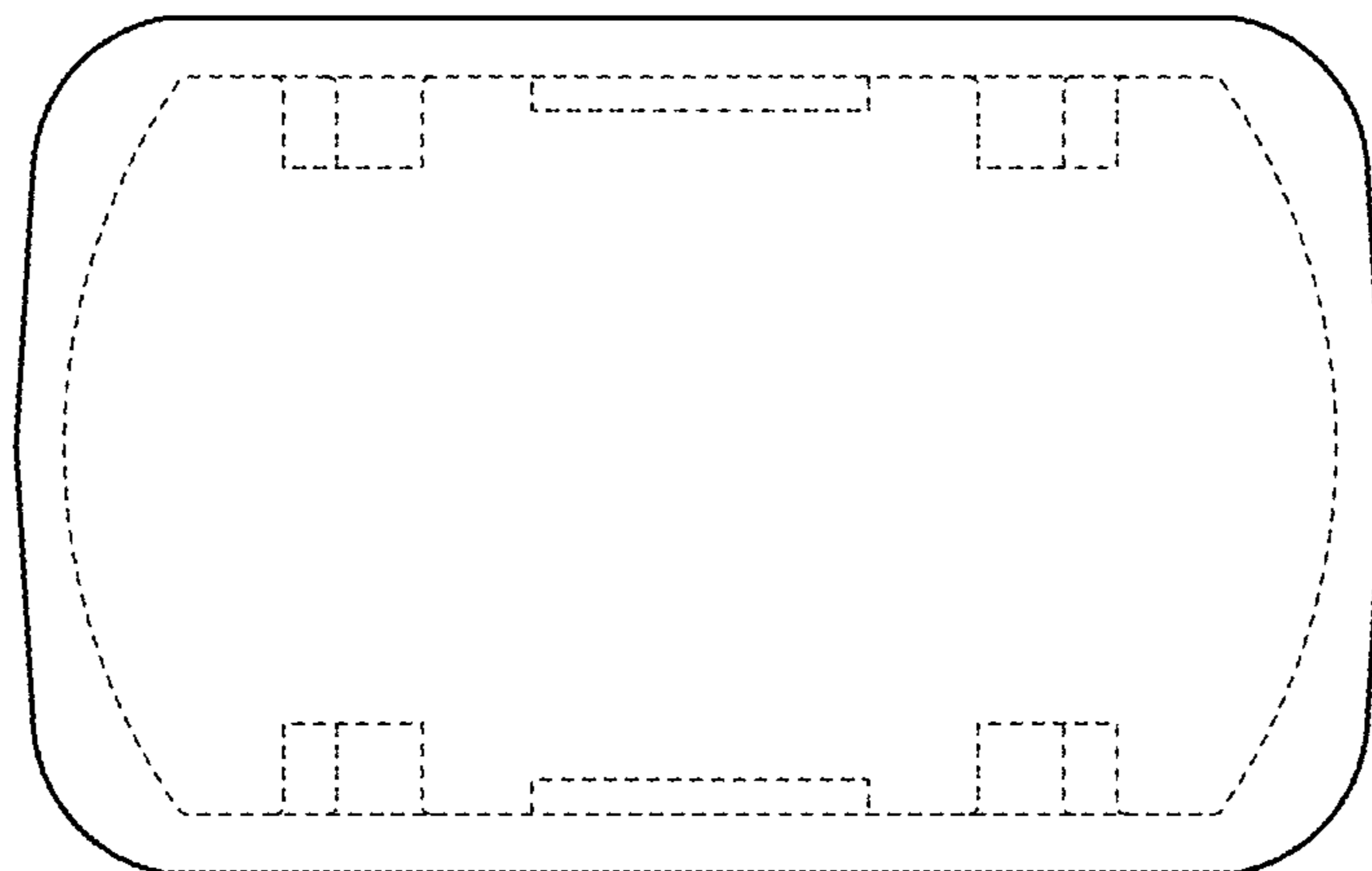
**Fig. 11**



**Fig. 12**



**Fig. 13**



**Fig. 14**