

US00D860141S

(12) **United States Design Patent** (10) **Patent No.:** **US D860,141 S**  
**Cyzen** (45) **Date of Patent:** **\*\* Sep. 17, 2019**

(54) **OUTLET PLATE**  
(71) Applicant: **Keith Cyzen**, Glen Ellyn, IL (US)  
(72) Inventor: **Keith Cyzen**, Glen Ellyn, IL (US)  
(\*\*) Term: **15 Years**  
(21) Appl. No.: **29/641,435**  
(22) Filed: **Mar. 22, 2018**  
(51) **LOC (12) Cl.** ..... **13-03**  
(52) **U.S. Cl.**  
USPC ..... **D13/156**  
(58) **Field of Classification Search**  
USPC ..... D13/110, 123, 133, 137.1, 139.1, 139.4,  
D13/152, 154, 155, 156, 158, 162, 164,  
D13/173, 177, 184; D8/349-351, 353;  
174/67, 66  
CPC H01R 13/447; H01R 13/6395; H01R 13/639;  
H01R 13/6397  
See application file for complete search history.

D261,135 S 10/1981 Horne  
4,457,571 A 7/1984 Lavine et al.  
D275,175 S \* 8/1984 Rolli, Jr. .... D13/154  
D283,221 S 4/1986 West  
4,617,613 A 10/1986 Rice  
4,895,527 A 1/1990 Brown et al.  
4,895,999 A 1/1990 Calderon  
4,921,444 A \* 5/1990 Cama ..... H01R 13/60  
439/528  
D308,626 S 6/1990 Villarreal  
D309,093 S 7/1990 Reinholt  
(Continued)

**OTHER PUBLICATIONS**

<https://www.amazon.com/Lock-Plug-Electrical-Extension-Appliances/dp/B06WW61RRC>, publicly available at least as early as Dec. 17, 2017.

(Continued)

*Primary Examiner* — Derrick E Holland  
*Assistant Examiner* — Jennifer O King  
(74) *Attorney, Agent, or Firm* — Marshall, Gerstein & Borun LLP

(56) **References Cited**

**U.S. PATENT DOCUMENTS**

2,438,143 A \* 3/1948 Brown ..... H01R 13/72  
174/66  
D162,509 S 3/1951 Austin, Jr.  
2,673,969 A 3/1954 Pfister  
2,722,665 A \* 11/1955 Sauder ..... H01R 13/447  
174/67  
2,770,697 A 11/1956 Kellett  
3,013,105 A \* 12/1961 Craig ..... H01R 13/72  
174/135  
3,113,996 A \* 12/1963 Sanford ..... H01R 13/60  
174/67  
3,159,446 A 12/1964 Protzmann  
3,257,497 A \* 6/1966 Marston ..... H01R 13/72  
174/135  
3,689,868 A \* 9/1972 Snyder ..... H01R 13/72  
174/66  
3,775,729 A 11/1973 Casper  
4,083,618 A 4/1978 Busch, Jr.

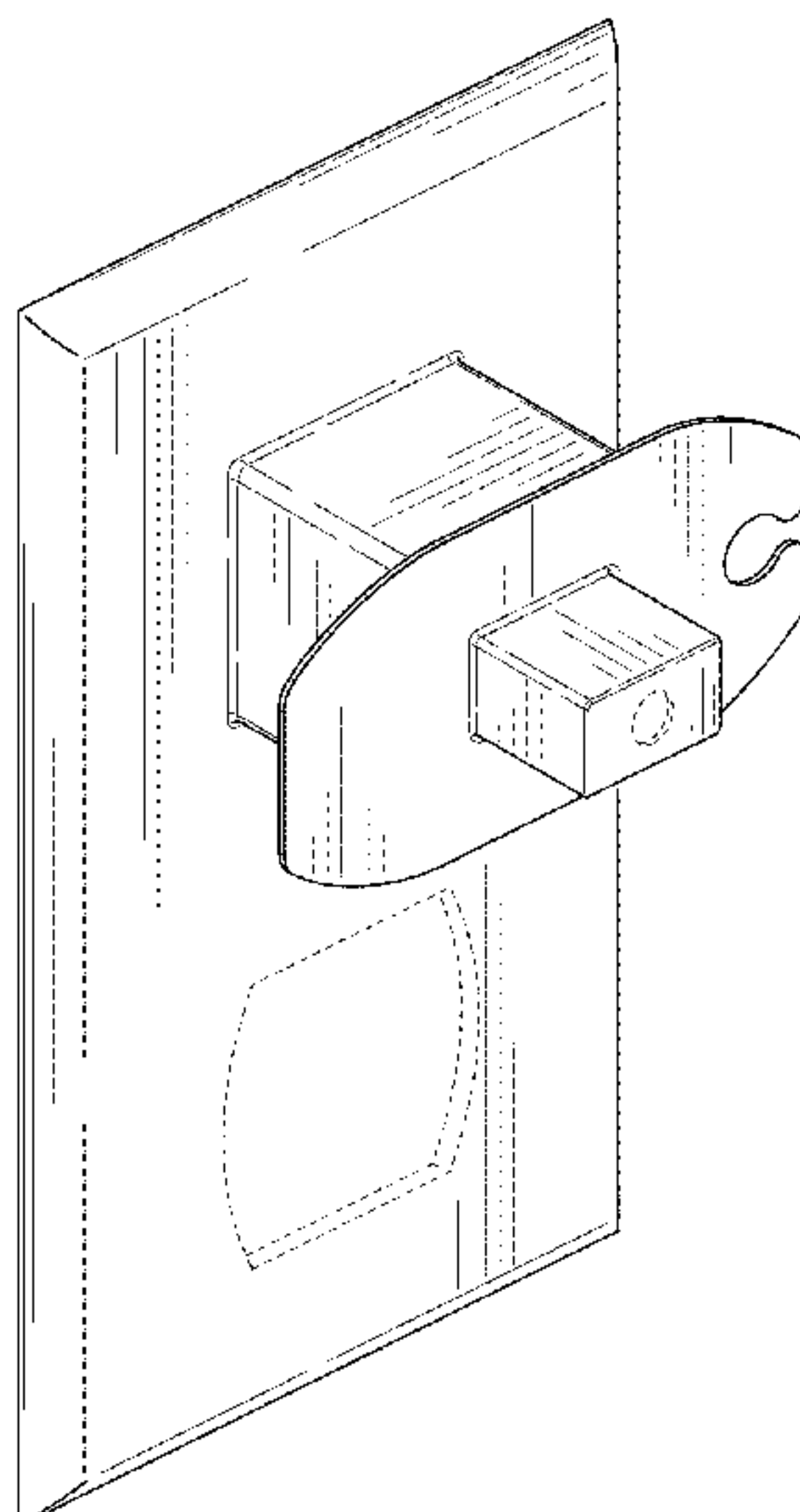
(57) **CLAIM**

The ornamental design for an outlet plate, as shown and described.

**DESCRIPTION**

FIG. 1 is a perspective view showing a new design for an outlet plate;  
FIG. 2 is a front view of the outlet plate of FIG. 1;  
FIG. 3 is a rear view of the outlet plate of FIG. 1;  
FIG. 4 is a right-side view of the outlet plate of FIG. 1;  
FIG. 5 is a left-side view of the outlet plate of FIG. 1;  
FIG. 6 is a top view of the outlet plate of FIG. 1; and,  
FIG. 7 is a bottom view of the outlet plate of FIG. 1.  
The broken lines shown represent portions of the outlet plate that form no part of the claimed design.

**1 Claim, 5 Drawing Sheets**



(56)

References Cited

U.S. PATENT DOCUMENTS

4,969,833 A 11/1990 Lindow et al.  
 4,973,801 A 11/1990 Frick et al.  
 4,993,963 A 2/1991 Pedigo  
 5,011,427 A \* 4/1991 Martin ..... H01R 13/6395  
 439/373  
 D317,859 S 7/1991 Kobayashi  
 D318,460 S 7/1991 Heath et al.  
 5,174,773 A \* 12/1992 Jones ..... H01R 13/447  
 174/67  
 D346,362 S \* 4/1994 Bouley ..... D13/156  
 D359,271 S 6/1995 Reinholt  
 D372,224 S 7/1996 Larned et al.  
 5,575,677 A 11/1996 Buckner et al.  
 5,589,665 A 12/1996 Scamacca  
 5,655,924 A 8/1997 Cross et al.  
 D415,113 S 10/1999 Driver, III  
 5,989,052 A 11/1999 Fields et al.  
 6,699,060 B1 3/2004 Scott  
 D508,025 S \* 8/2005 Dirks ..... D13/154  
 D509,193 S 9/2005 Piedmont  
 7,014,493 B1 3/2006 Battard  
 7,041,905 B1 5/2006 Stewart  
 7,056,145 B2 6/2006 Campbell, III et al.  
 D549,175 S \* 8/2007 Slasinski ..... D13/137.1  
 7,255,588 B2 \* 8/2007 Wilder ..... H01R 13/6392  
 439/373  
 D559,782 S \* 1/2008 Slasinski ..... D13/137.1  
 7,371,105 B1 5/2008 Allende  
 7,384,304 B1 6/2008 Fawcett  
 7,528,323 B2 \* 5/2009 Wu ..... H01R 13/72  
 174/66  
 7,638,710 B1 12/2009 Vance  
 7,850,478 B2 12/2010 Lin et al.  
 8,021,174 B1 9/2011 Schutte  
 8,337,236 B2 12/2012 Shu  
 8,864,517 B2 10/2014 Cohen  
 9,048,570 B2 6/2015 Goel  
 9,065,263 B2 \* 6/2015 Porcano ..... H02G 3/14  
 9,147,973 B1 9/2015 Madison

9,337,676 B2 5/2016 Benigno  
 9,350,151 B2 \* 5/2016 Michaelis, IV ..... H02G 3/14  
 D784,791 S 4/2017 Aragaw  
 D788,045 S 5/2017 Zeng  
 9,653,898 B1 \* 5/2017 Deaton ..... H02G 3/083  
 D793,846 S 8/2017 Armstrong, Jr. et al.  
 9,825,414 B2 11/2017 Armstrong et al.  
 9,991,627 B1 \* 6/2018 Hemme ..... H01R 13/58  
 D823,263 S 7/2018 Cyzen  
 2011/0070756 A1 3/2011 Peckham  
 2015/0147908 A1 5/2015 Jauch

OTHER PUBLICATIONS

[https://www.amazon.com/LectraLock-Safety-Electrical-Outlet-Duplex/dp/B009UX0NBO/ref=zg\\_bs\\_166867011\\_6?encoding=UTF8&refRID=EMGGM%E2%80%A6](https://www.amazon.com/LectraLock-Safety-Electrical-Outlet-Duplex/dp/B009UX0NBO/ref=zg_bs_166867011_6?encoding=UTF8&refRID=EMGGM%E2%80%A6), publicly available at least as early as Dec. 17, 2017.  
[https://www.amazon.com/gp/offer-listing/B073V3LR2R/ref=dp\\_olp\\_new\\_mbc?ie=UTF8&condition=new](https://www.amazon.com/gp/offer-listing/B073V3LR2R/ref=dp_olp_new_mbc?ie=UTF8&condition=new), publicly available at least as early as Dec. 17, 2017.  
[https://www.amazon.com/Secure-Connect-Electrical-Safety-Product/dp/B0083V4NG0/ref=pd\\_sbs\\_107\\_5?encoding=UTF8&pd\\_rd\\_i=B0083V4NG0&p%E2%80%A6](https://www.amazon.com/Secure-Connect-Electrical-Safety-Product/dp/B0083V4NG0/ref=pd_sbs_107_5?encoding=UTF8&pd_rd_i=B0083V4NG0&p%E2%80%A6), publicly available at least as early as Dec. 17, 2017.  
[https://www.kickstarter.com/projects/1881196998/myplug-the-first-theft-proof-charging-cable-ever-m?ref=nav\\_search](https://www.kickstarter.com/projects/1881196998/myplug-the-first-theft-proof-charging-cable-ever-m?ref=nav_search), publicly available at least as early as Dec. 17, 2017.  
<http://ideas.northwestern.edu/projects/charger+.html>, publicly available at least as early as Dec. 17, 2017.  
<http://www.ichargerlock.com/>, publicly available at least as early as Dec. 17, 2017.  
[https://www.kickstarter.com/projects/1881196998/myplug-the-first-theft-proof-charging-cable-ever-m?ref=nav\\_search](https://www.kickstarter.com/projects/1881196998/myplug-the-first-theft-proof-charging-cable-ever-m?ref=nav_search), publicly available at least as early as Dec. 17, 2017.  
 International Search Report and Written Opinion of the International Searching Authority for International Application PCT/US2018/043358, dated Oct. 9, 2018.

\* cited by examiner

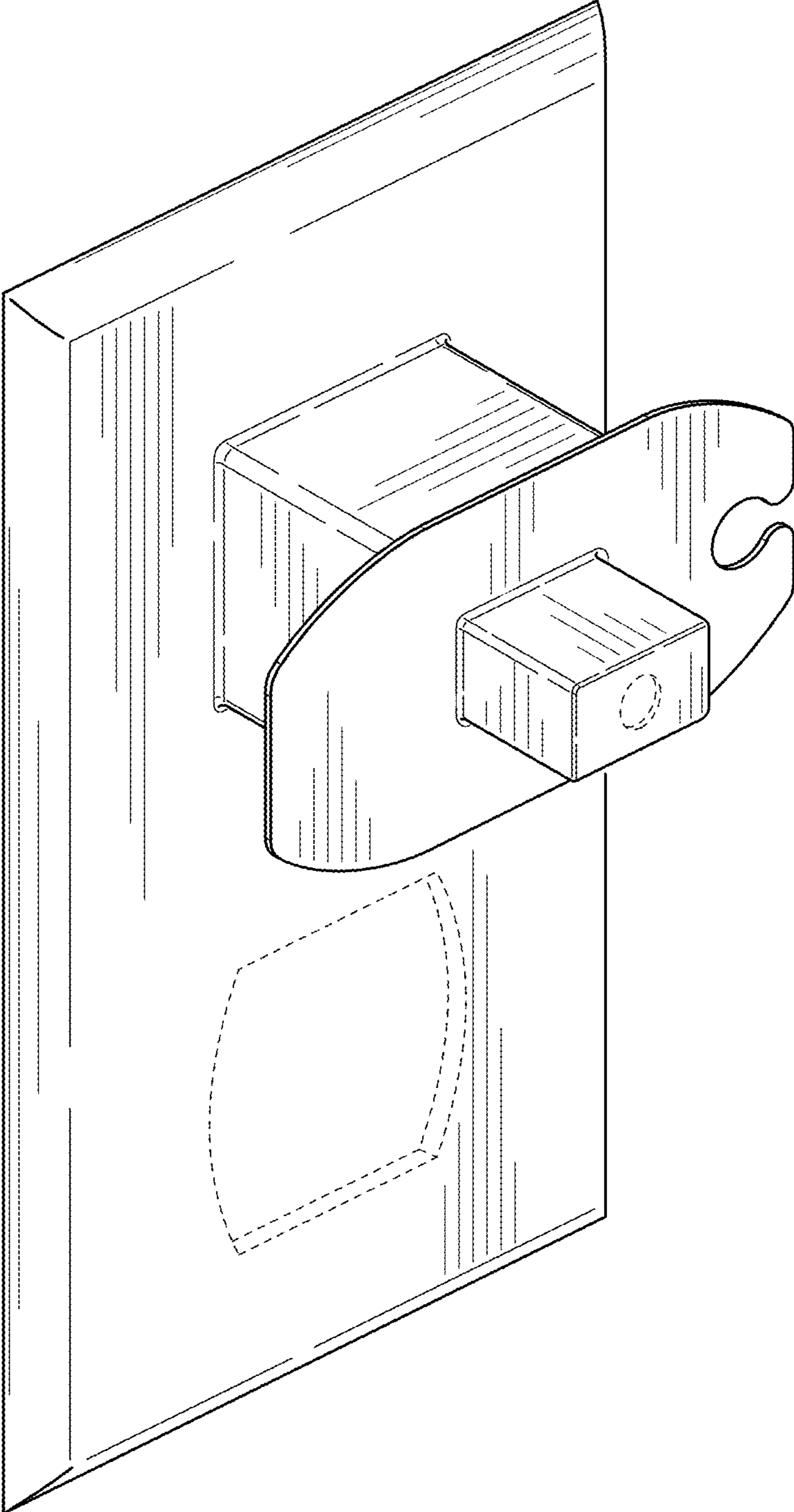


FIG. 1

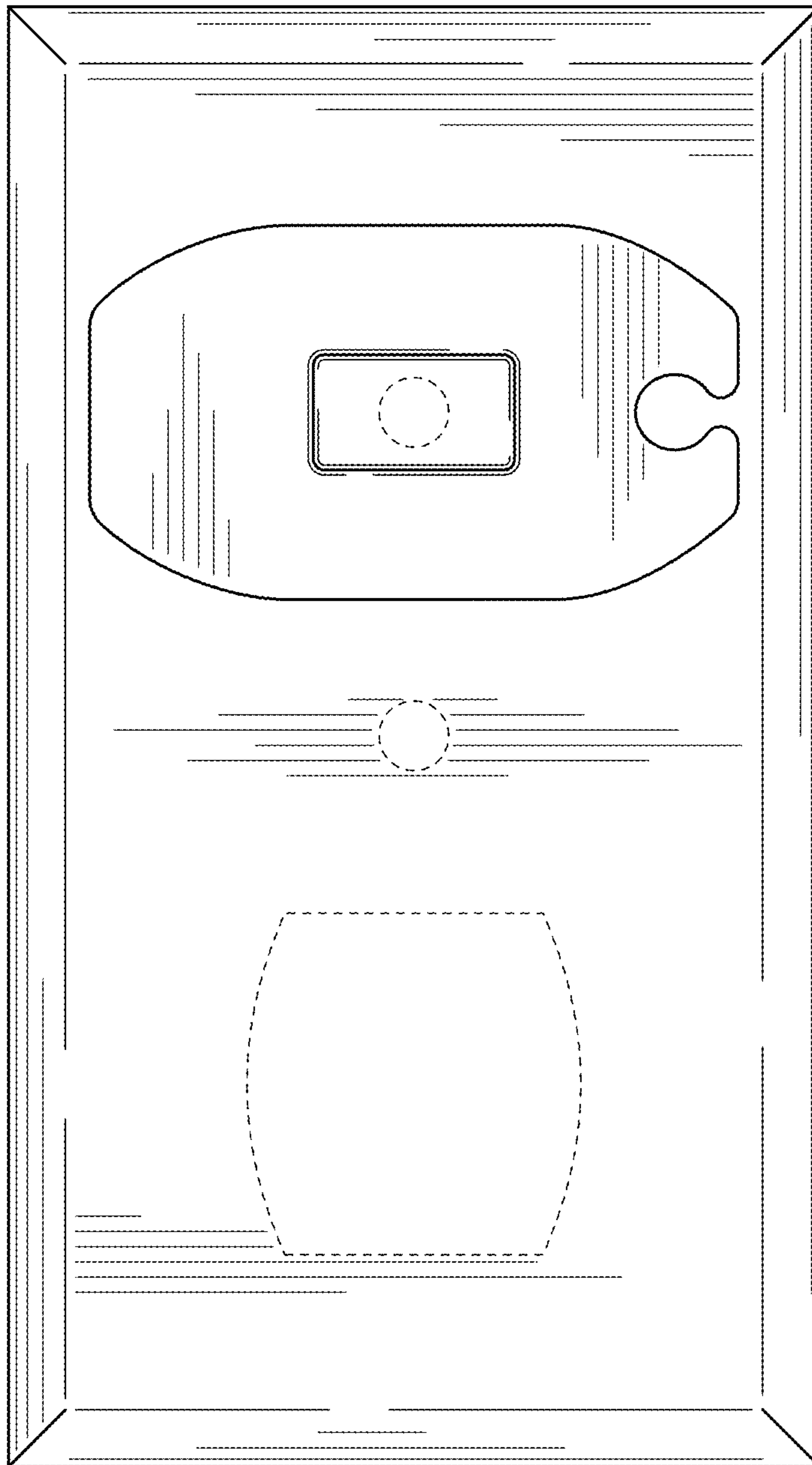


FIG. 2



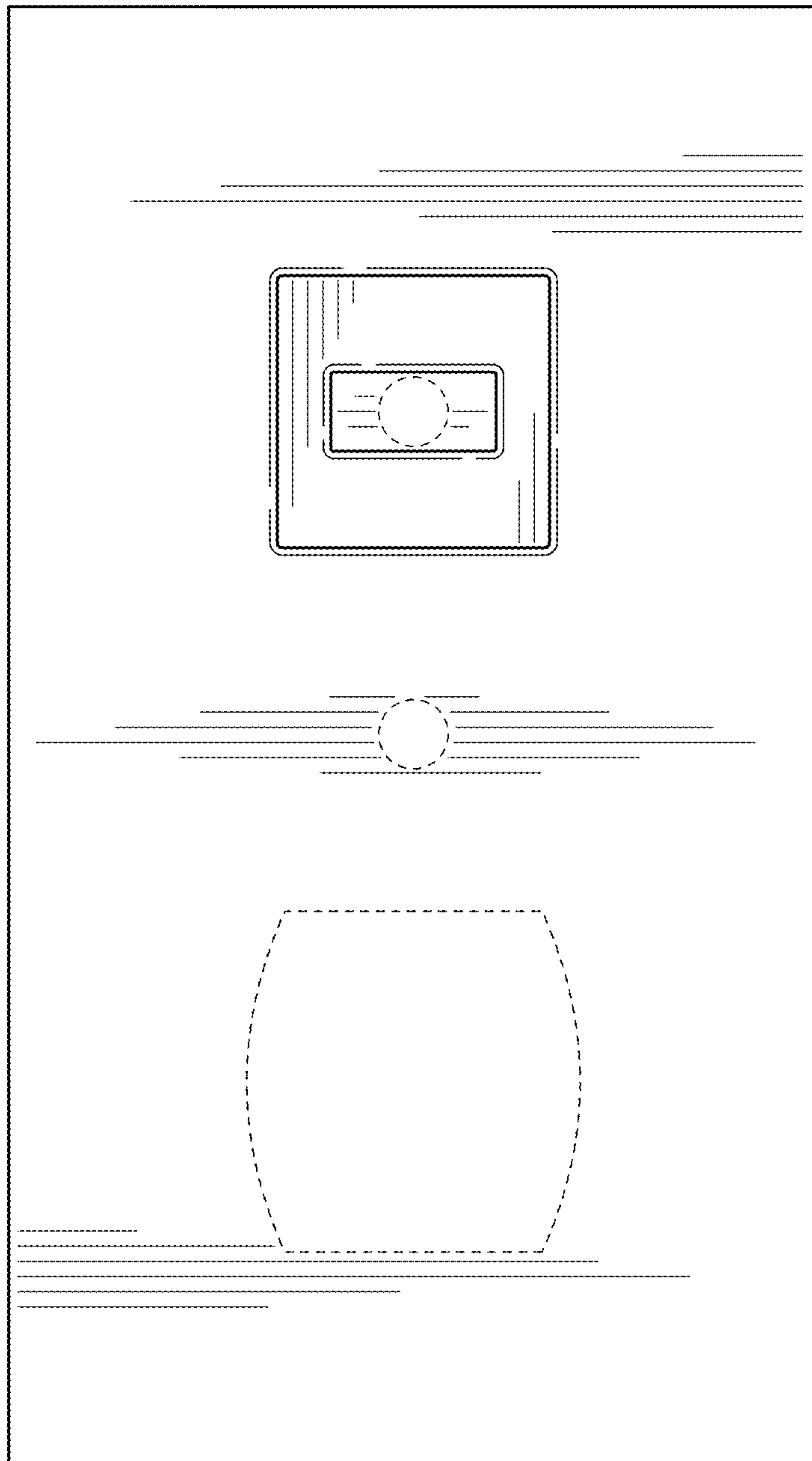


FIG. 3

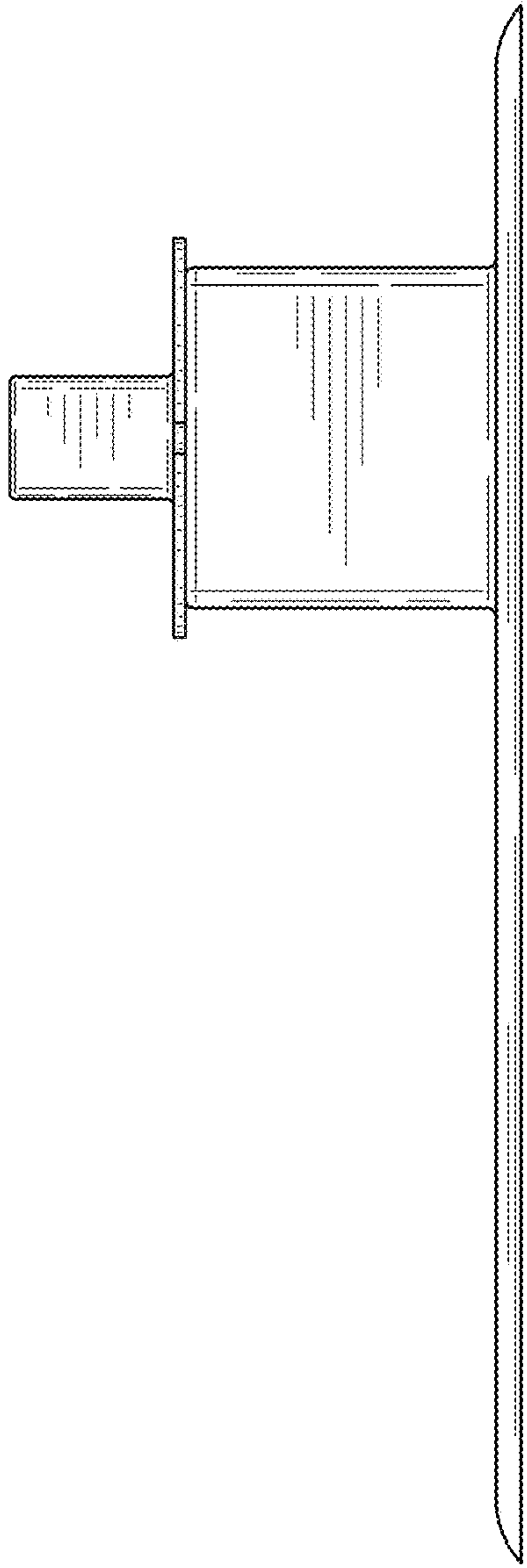


FIG. 4

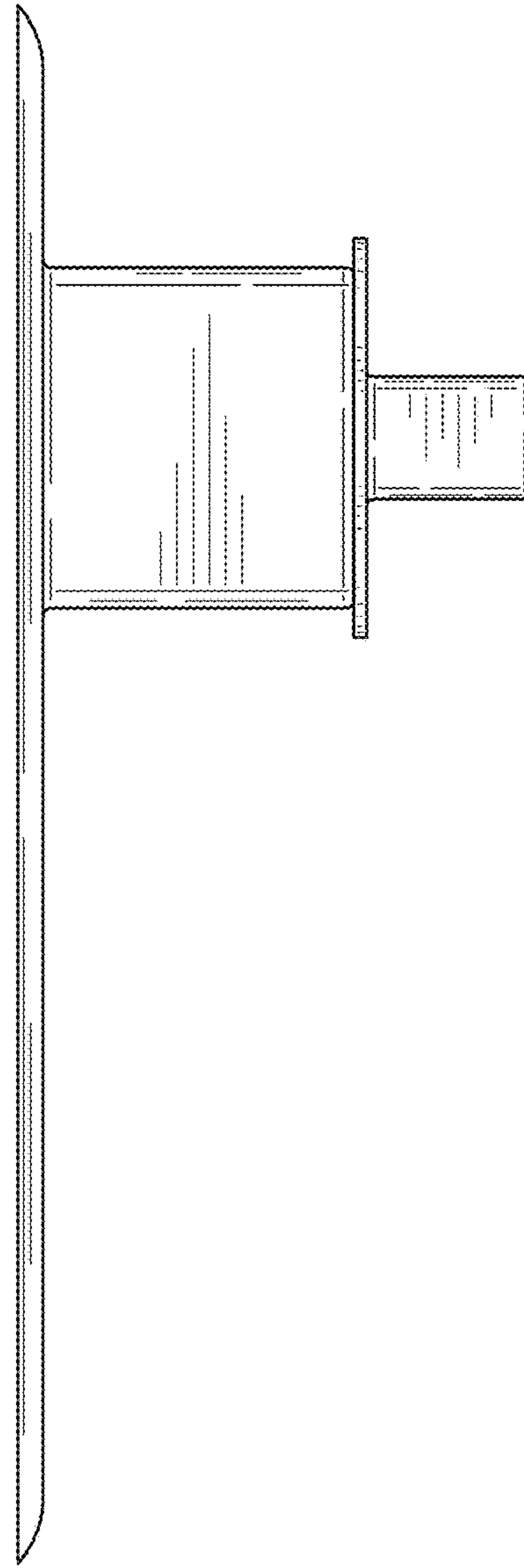
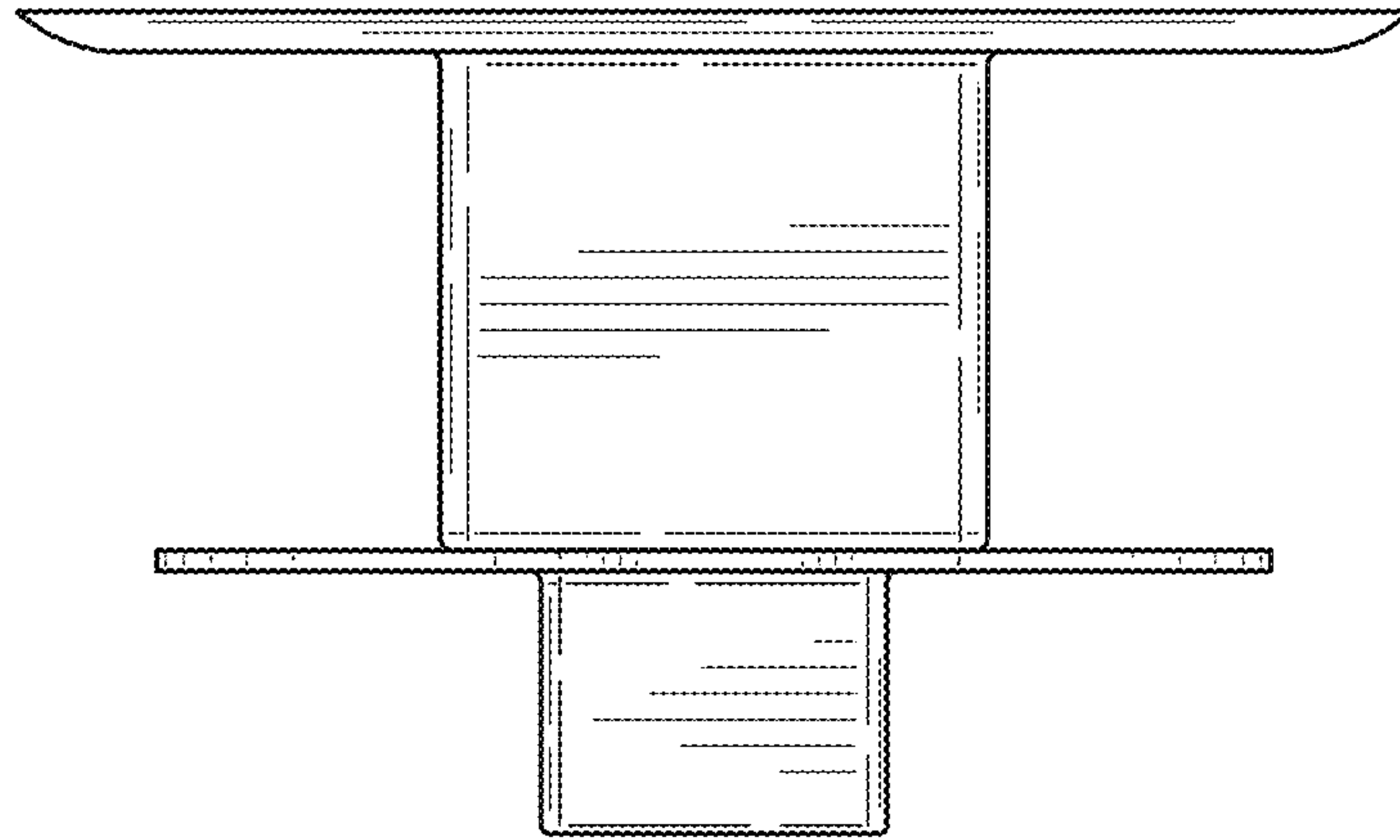
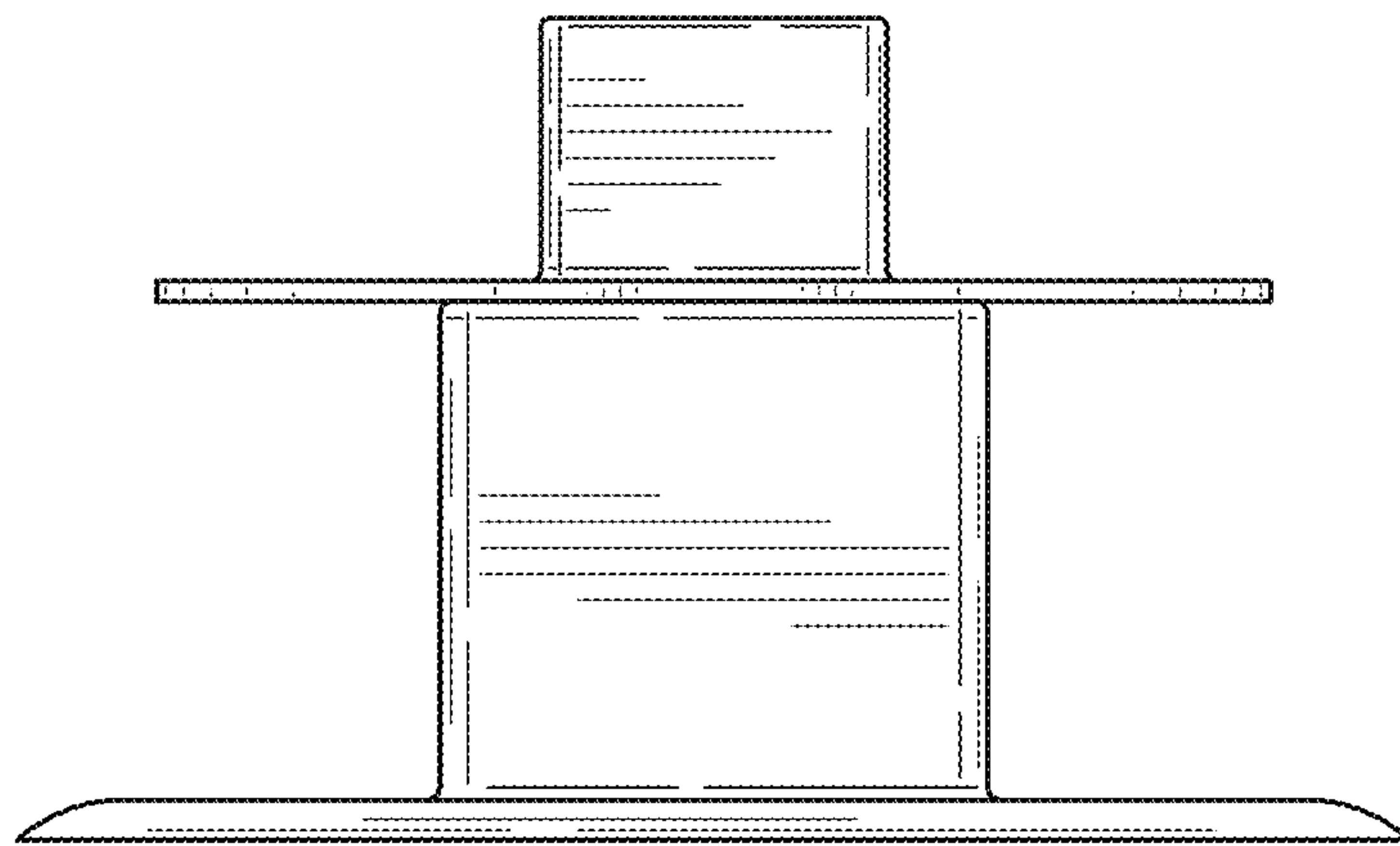


FIG. 5



**FIG. 6**



**FIG. 7**