



US00D860139S

(12) **United States Design Patent**
Torres et al.

(10) **Patent No.:** **US D860,139 S**

(45) **Date of Patent:** **** Sep. 17, 2019**

(54) **PLUGGABLE MODULE**

(71) Applicant: **METHODE ELECTRONICS, INC.**,
Chicago, IL (US)

(72) Inventors: **Luis Torres**, Palatine, IL (US); **Joseph Liorens**, Winfield, IL (US); **Alexandros Pirillis**, Chicago, IL (US); **Robert Skepnek**, Chicago, IL (US)

(73) Assignee: **Method Electronics, Inc.**, Chicago, IL (US)

(**) Term: **15 Years**

(21) Appl. No.: **29/617,057**

(22) Filed: **Sep. 11, 2017**

(51) **LOC (12) Cl.** **13-03**

(52) **U.S. Cl.**

USPC **D13/151**; D13/147

(58) **Field of Classification Search**

USPC D13/118, 123, 133, 146, 147, 149, 151,
D13/154, 173, 184, 199; D14/188, 432,
D14/433, 438

CPC H01R 13/646; H01R 13/633; H01R 13/46;
H01R 13/66; H01R 31/06; H01R 31/065;
H01R 24/542; H01R 12/70; H01R
12/7076; H01R 13/62; H01R 13/627;
H01R 13/648; H05K 1/14; H05K 5/00;
H05K 7/00; H05K 7/02; H05K 7/20;
H05K 9/00; G02B 6/36; G02B 6/38

See application file for complete search history.

(56) **References Cited**

U.S. PATENT DOCUMENTS

6,434,015 B1 * 8/2002 Hwang H01R 13/635
361/728
6,942,395 B1 9/2005 Chuan et al.
7,215,554 B2 * 5/2007 Torres H01R 13/6582
361/747
7,637,672 B1 12/2009 Li et al.

8,002,575 B2 8/2011 Li
8,052,335 B2 * 11/2011 Kasbeer-Betty G02B 6/4201
385/14
8,523,595 B2 * 9/2013 Wu H01R 13/633
439/352
9,472,898 B2 * 10/2016 Yang H01R 13/6395
2005/0259994 A1 * 11/2005 Zhang G02B 6/4201
398/164

(Continued)

OTHER PUBLICATIONS

Pluggable Optics Modules—Thermal Specifications: Part 2, dated Oct. 11, 2016, [online], [site visited Jul. 6, 2018]. Available from Internet, <URL:https://www.electronics-cooling.com/2016/10/pluggable-optics-modules-thermal-specifications-part-2/> (Year: 2016).*

Primary Examiner — Angela J Lee

Assistant Examiner — Shawn T Gingrich

(74) *Attorney, Agent, or Firm* — Gould & Ratner LLP

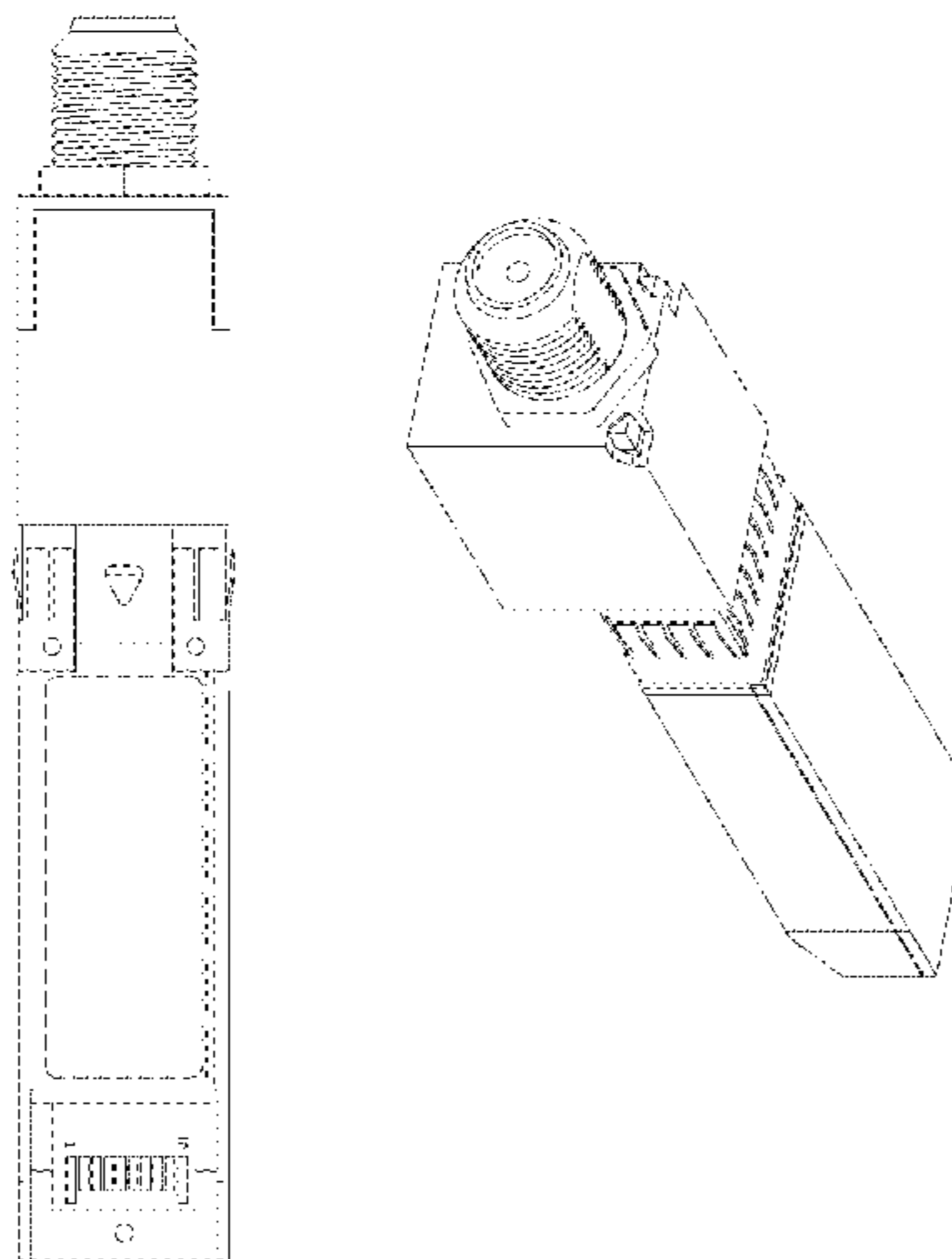
(57) **CLAIM**

The ornamental design for a pluggable module, as shown and described.

DESCRIPTION

FIG. 1 is an end view of the first end of the pluggable module of the present invention;
FIG. 2 is a right side elevation view of the pluggable module of the present invention;
FIG. 3 is a top plan view of the pluggable module of the present invention;
FIG. 4 is a left side elevation view of the pluggable module of the present invention;
FIG. 5 is a bottom plan view of the pluggable module of the present invention;
FIG. 6 is a perspective view of the pluggable module of the present invention; and,
FIG. 7 as an end view of the second end of the pluggable module of the present invention.

1 Claim, 1 Drawing Sheet



(56)

References Cited

U.S. PATENT DOCUMENTS

2009/0227133 A1* 9/2009 Zhang G02B 6/4246
439/160
2010/0115316 A1 5/2010 Diab
2011/0003502 A1* 1/2011 Li H01R 9/03
439/464
2011/0081807 A1* 4/2011 Rephaeli G02B 6/4201
439/620.21
2011/0164382 A1* 7/2011 Pirillis H01R 13/6586
361/690
2011/0287642 A1* 11/2011 Wang H01R 9/031
439/83
2012/0052712 A1* 3/2012 Wang H01R 13/6275
439/352
2013/0273766 A1* 10/2013 Lindkamp H01R 13/50
439/345
2014/0179143 A1* 6/2014 Kappla H01R 13/6275
439/310
2015/0031246 A1* 1/2015 Wu H01R 13/6473
439/660
2015/0111402 A1* 4/2015 Hackman H01R 13/648
439/98
2016/0241293 A1 8/2016 Huang et al.
2016/0336685 A1* 11/2016 Phillips H01R 13/6275
2018/0076588 A1* 3/2018 Torres H01R 24/542

* cited by examiner

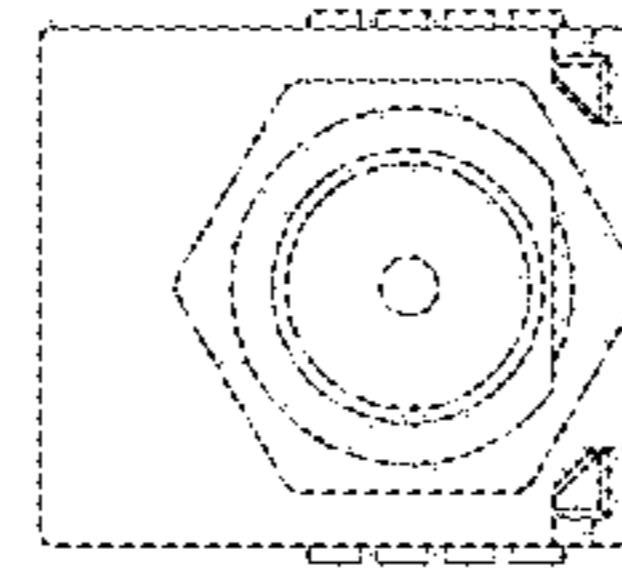


Fig. 1

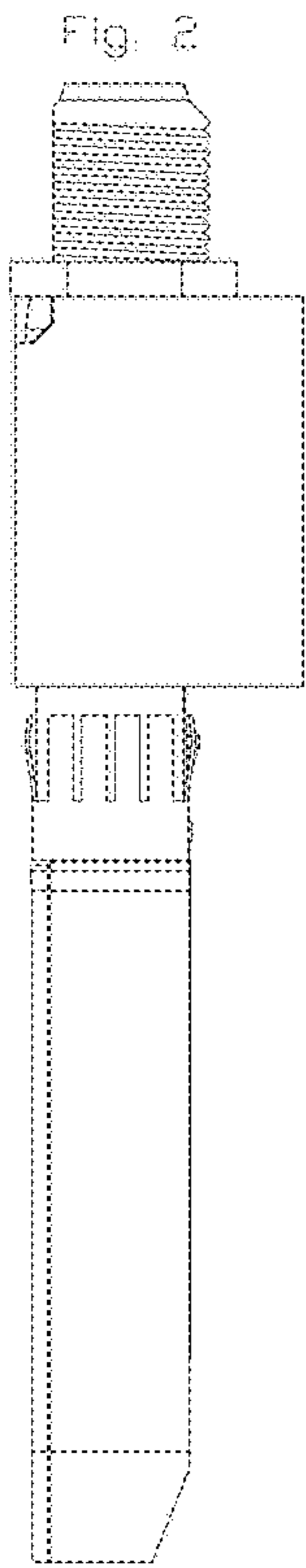


Fig. 2

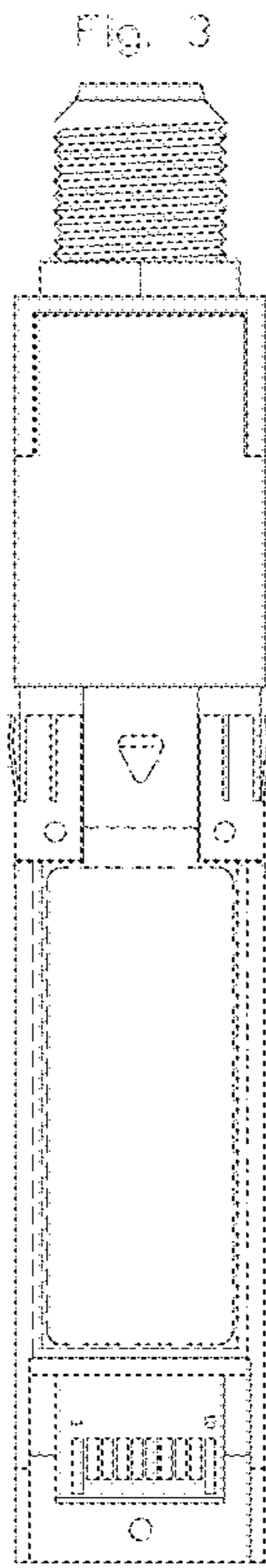


Fig. 3

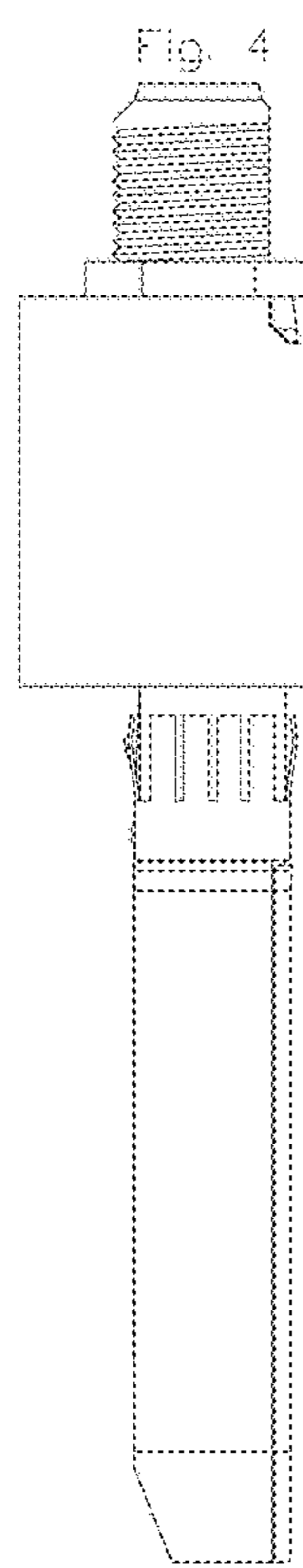


Fig. 4

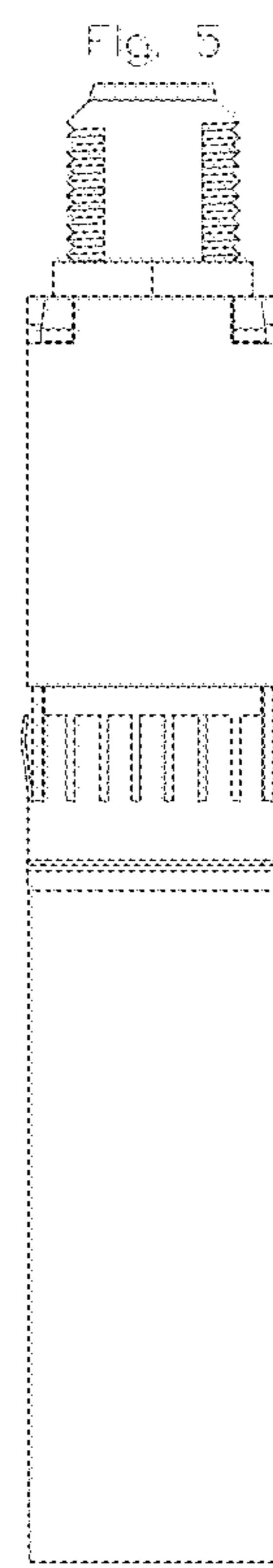


Fig. 5

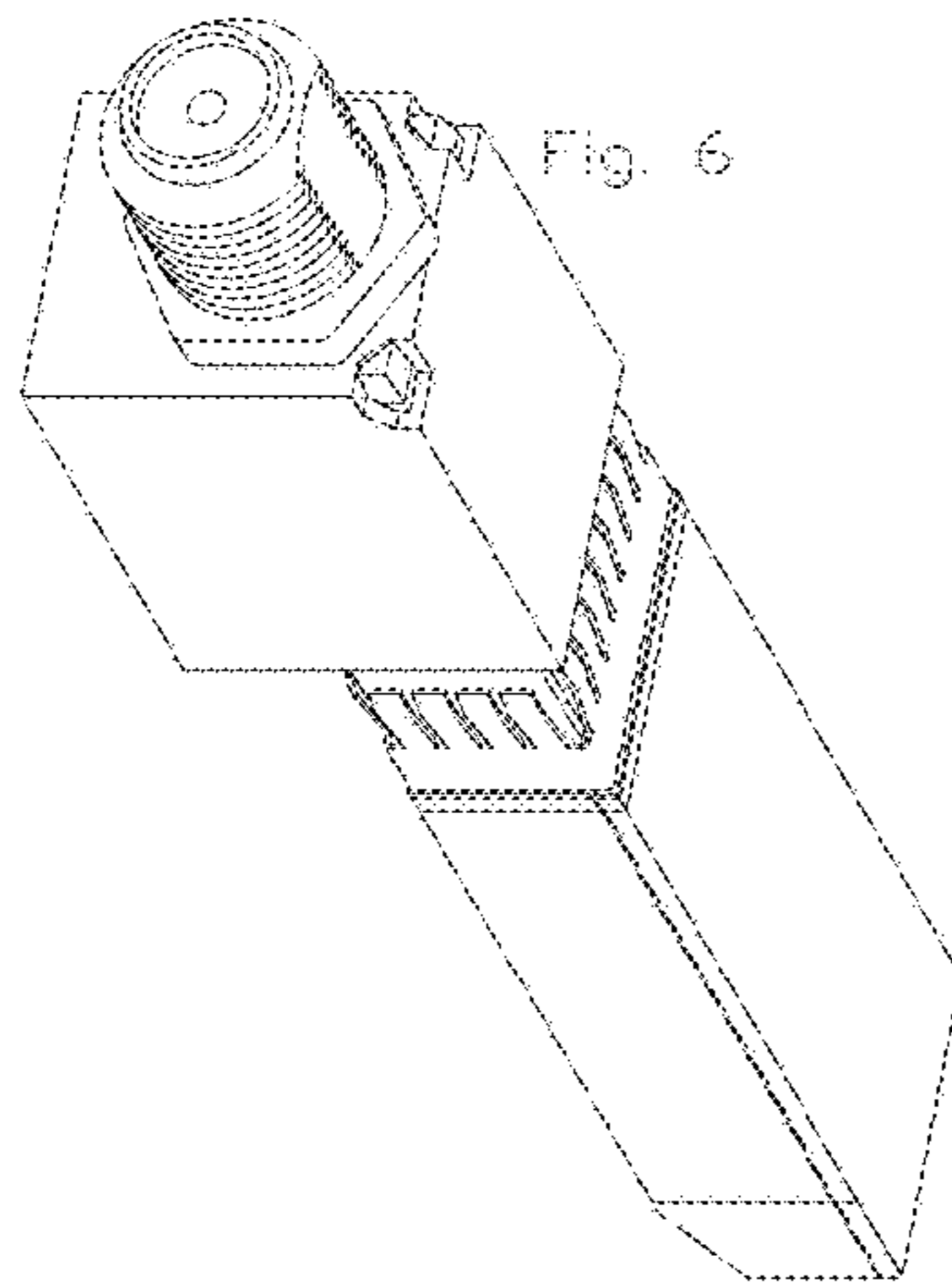


Fig. 6

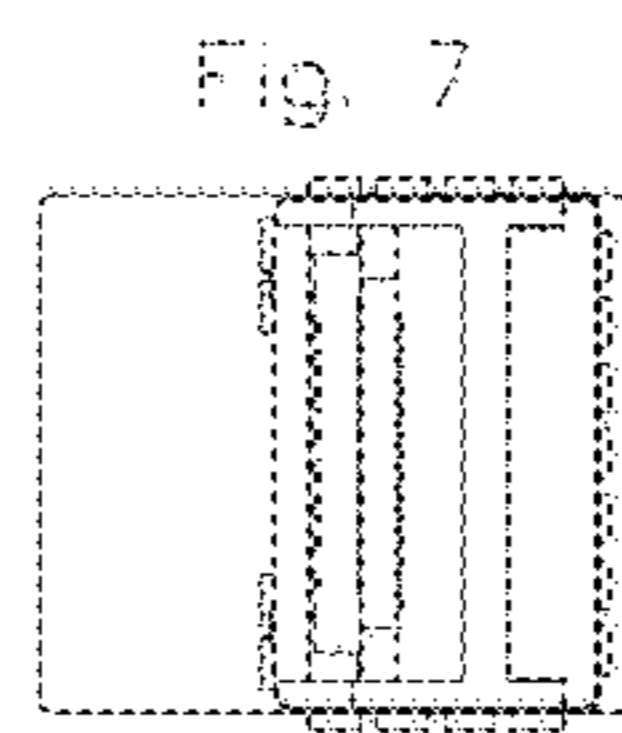


Fig. 7