



US00D860138S

(12) **United States Design Patent**
Aromin et al.

(10) **Patent No.:** **US D860,138 S**

(45) **Date of Patent:** **** Sep. 17, 2019**

(54) **OUTDOOR PLUG**

(71) Applicants: **Victor V Aromin**, West Warwick, RI (US); **Daniel R Paquette**, Woonsocket, RI (US); **Louis Jay Shatkin**, Warwick, RI (US)

(72) Inventors: **Victor V Aromin**, West Warwick, RI (US); **Daniel R Paquette**, Woonsocket, RI (US); **Louis Jay Shatkin**, Warwick, RI (US)

(73) Assignee: **Tower Manufacturing Corp.**, Providence, RI (US)

(**) Term: **15 Years**

(21) Appl. No.: **29/665,101**

(22) Filed: **Sep. 30, 2018**

(51) **LOC (12) Cl.** **13-03**

(52) **U.S. Cl.**
USPC **D13/138.2**; D13/160

(58) **Field of Classification Search**
USPC D13/110, 123, 133, 134, 137.1, 137.3, D13/137.4, 138.1, 138.2, 146, 147, 149, D13/153, 154, 173, 184, 199
CPC H01H 9/54; H01H 13/86; H01H 83/00; H01R 12/53; H01R 13/68; H01R 39/00; H02H 1/00; H02H 3/00; H02H 3/16; H02H 3/162; H02H 9/08; H05K 5/00
See application file for complete search history.

(56) **References Cited**

U.S. PATENT DOCUMENTS

D338,188 S * 8/1993 Lee D13/110
D414,747 S * 10/1999 Aromin D13/160

D434,010 S * 11/2000 Stekelenburg D13/160
D451,481 S * 12/2001 MacKay D13/160
D579,881 S * 11/2008 Aromin D13/160
D635,937 S * 4/2011 Aromin D13/138.1
D652,801 S * 1/2012 Zou D13/139.8
D653,214 S * 1/2012 Zou D13/138.2
D727,185 S * 4/2015 Aromin D10/78
D735,136 S * 7/2015 Aromin D13/138.2
D742,831 S * 11/2015 Yu D13/139.6
D819,572 S * 6/2018 Ye D13/138.2
10,271,440 B2 * 4/2019 Aromin H01R 13/5202
2008/0094764 A1 * 4/2008 Zhang H01R 13/665
361/42
2015/0116872 A1 * 4/2015 Li H02H 1/0015
361/42
2015/0214719 A1 * 7/2015 Aromin H02H 3/33
361/42
2018/0220541 A1 * 8/2018 Aromin H02H 3/16

* cited by examiner

Primary Examiner — Angela J Lee
Assistant Examiner — Shawn T Gingrich

(57) **CLAIM**

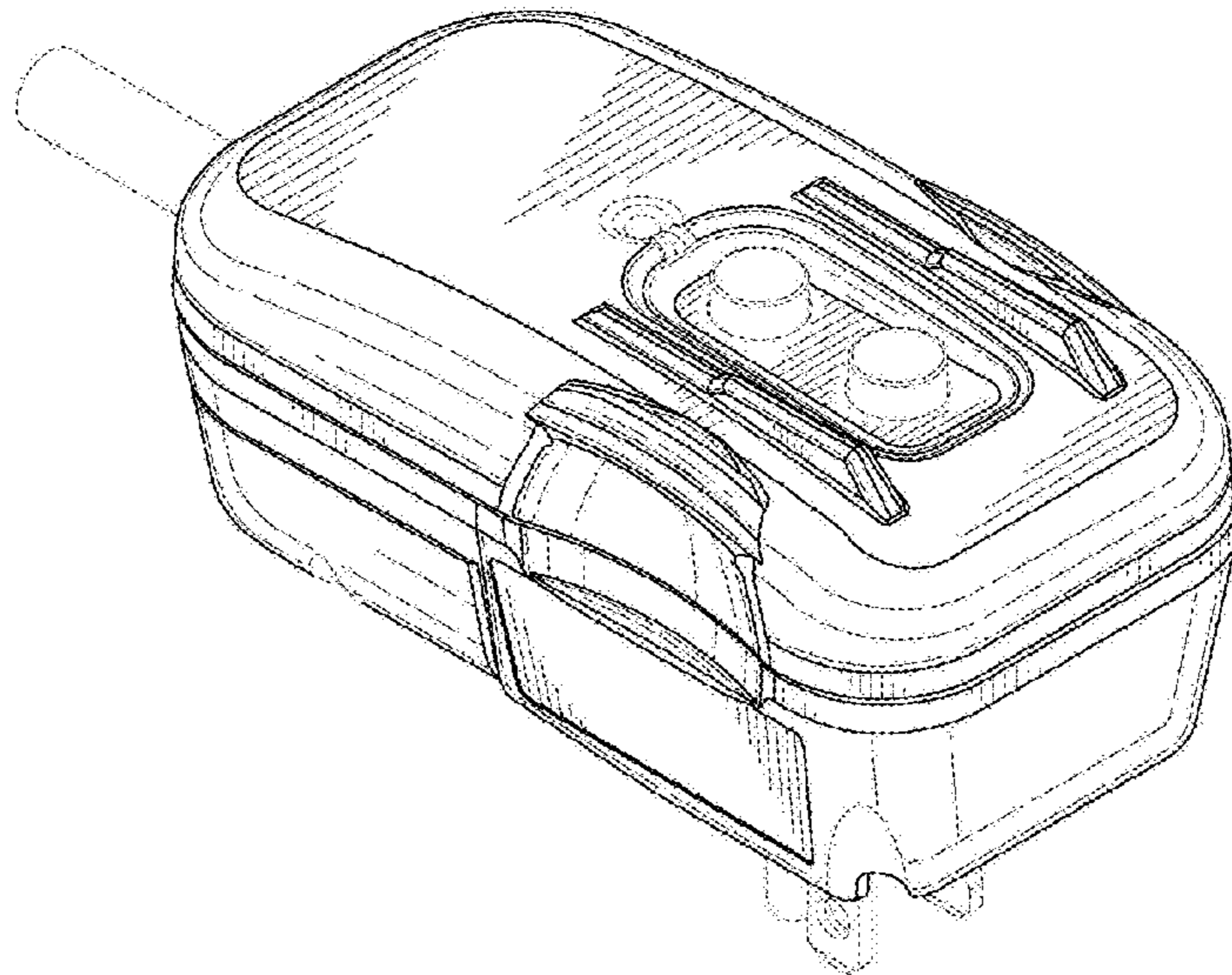
The ornamental design for an outdoor plug, as shown and described.

DESCRIPTION

FIG. 1 is a top-side perspective view of the outdoor plug employing our new design;
FIG. 2 a right-side view of FIG. 1;
FIG. 3 is a left side view of FIG. 1;
FIG. 4 is a top down view of FIG. 1;
FIG. 5 is a bottom view of FIG. 1;
FIG. 6 is a front view of FIG. 1; and,
FIG. 7 is a rear view of FIG. 1.

The broken lines in the drawings represent portions of the outdoor plug that form no part of the claimed design.

1 Claim, 7 Drawing Sheets



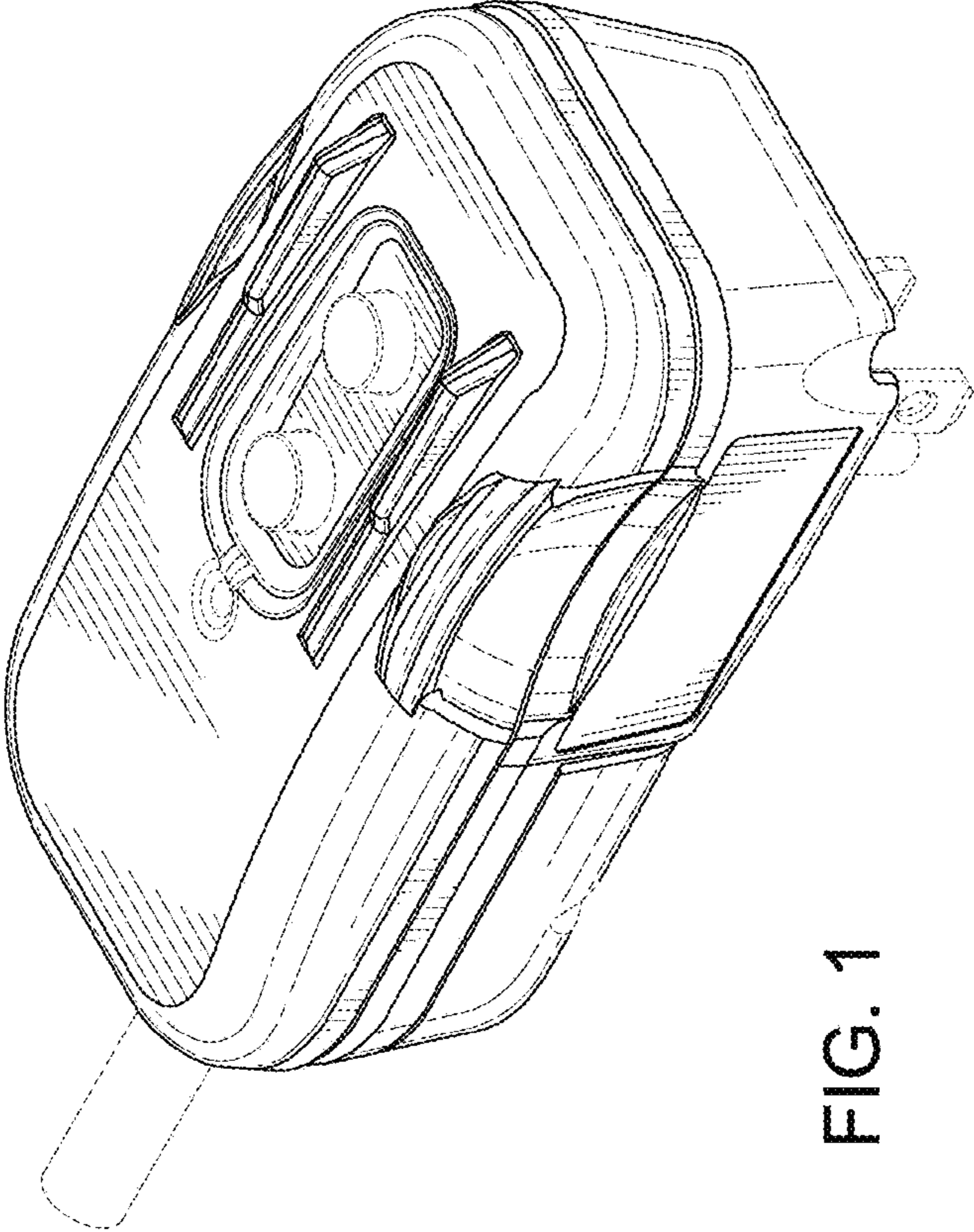


FIG. 1

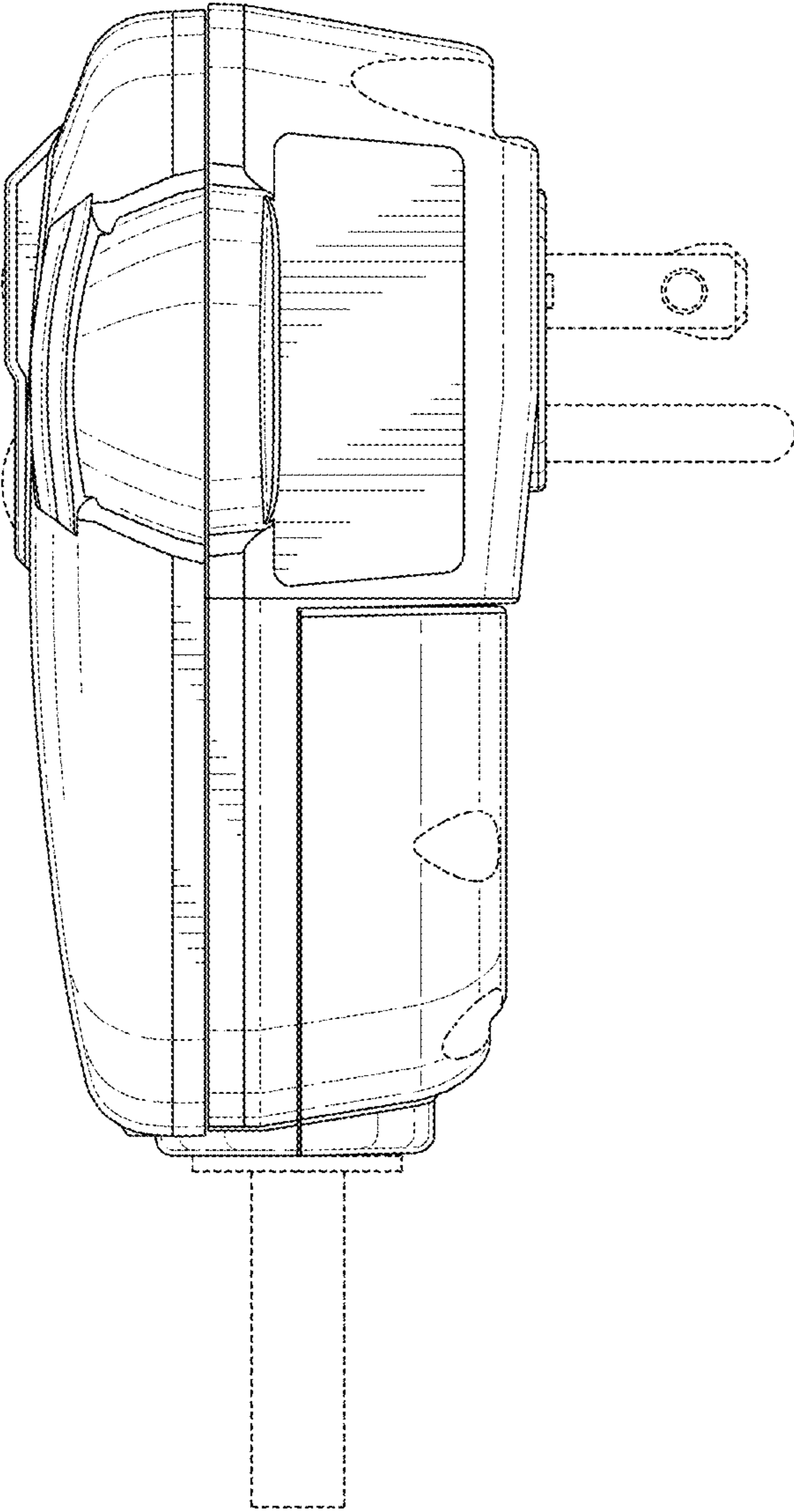


FIG. 2

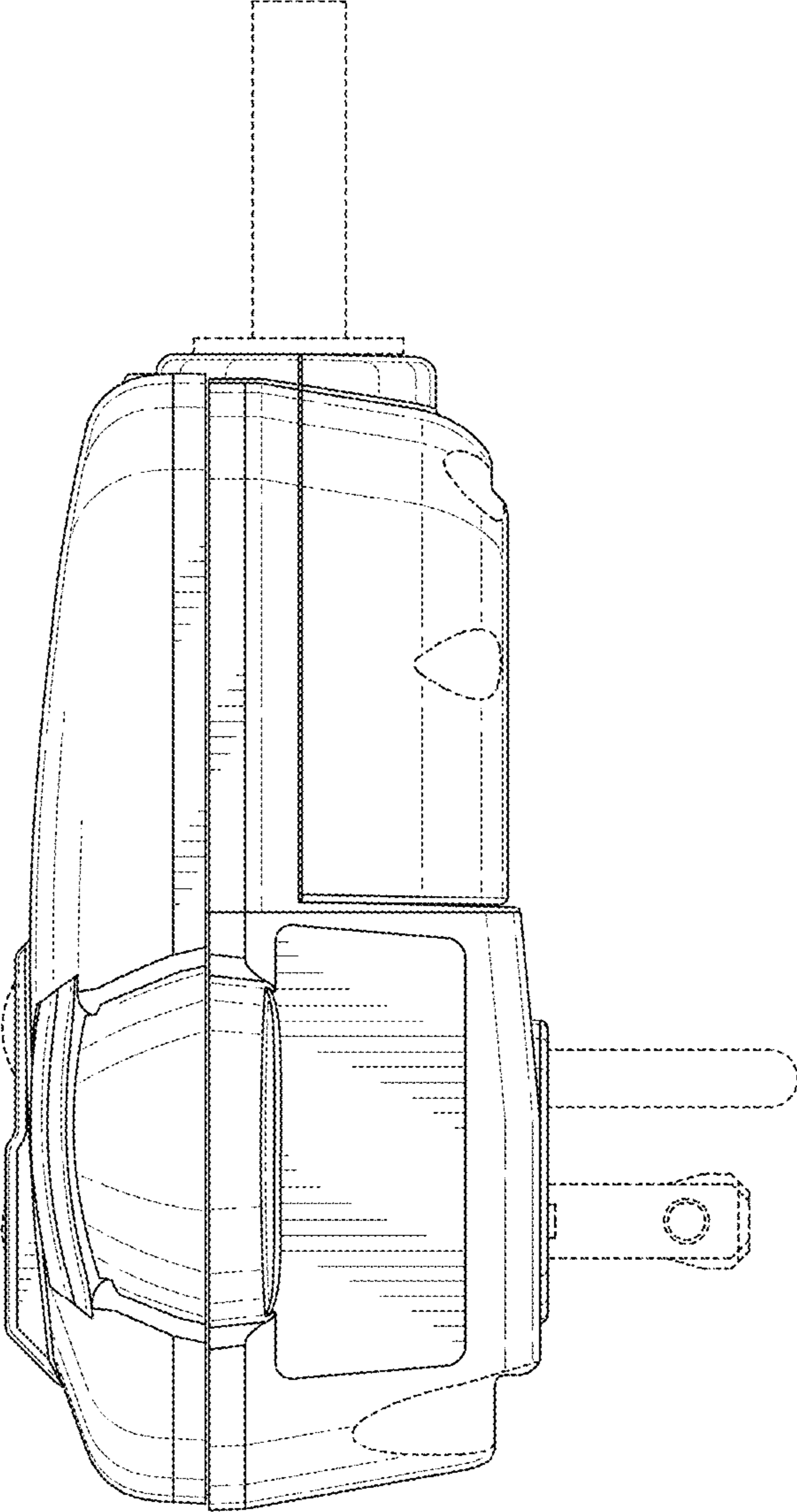


FIG. 3

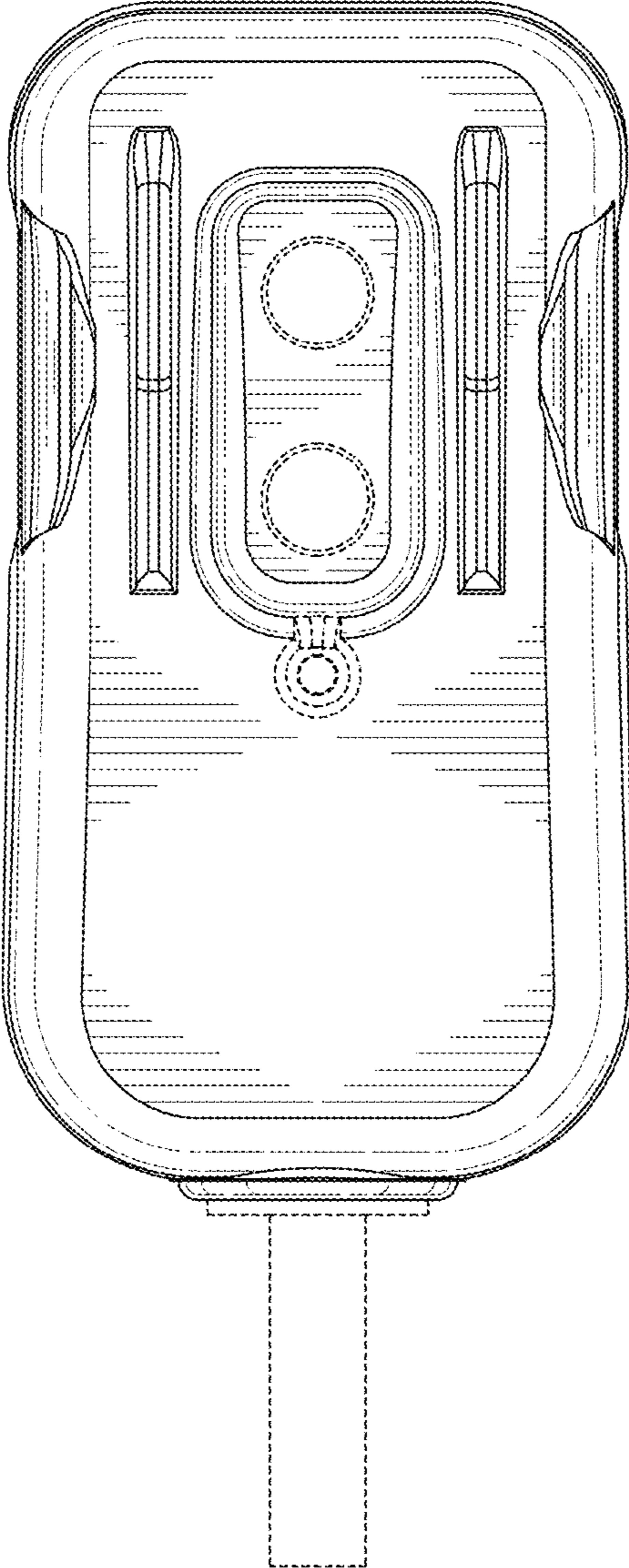


FIG. 4

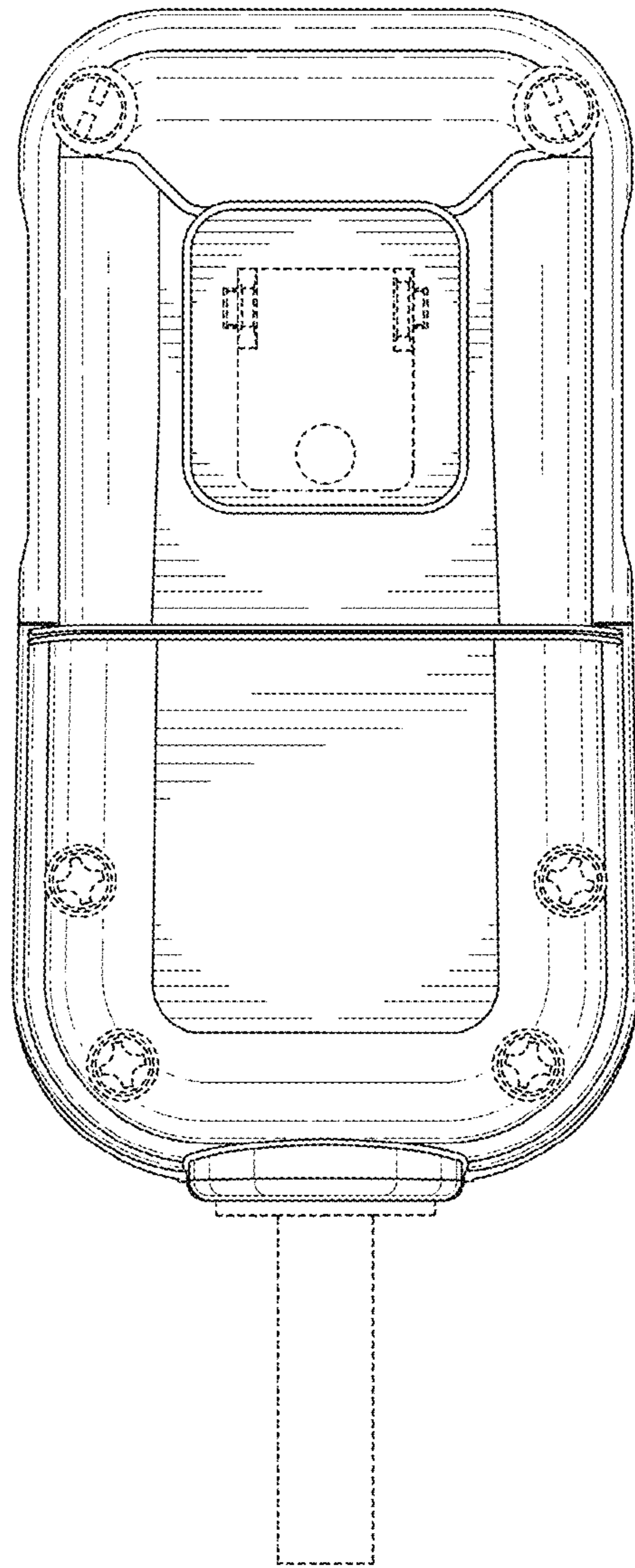


FIG. 5

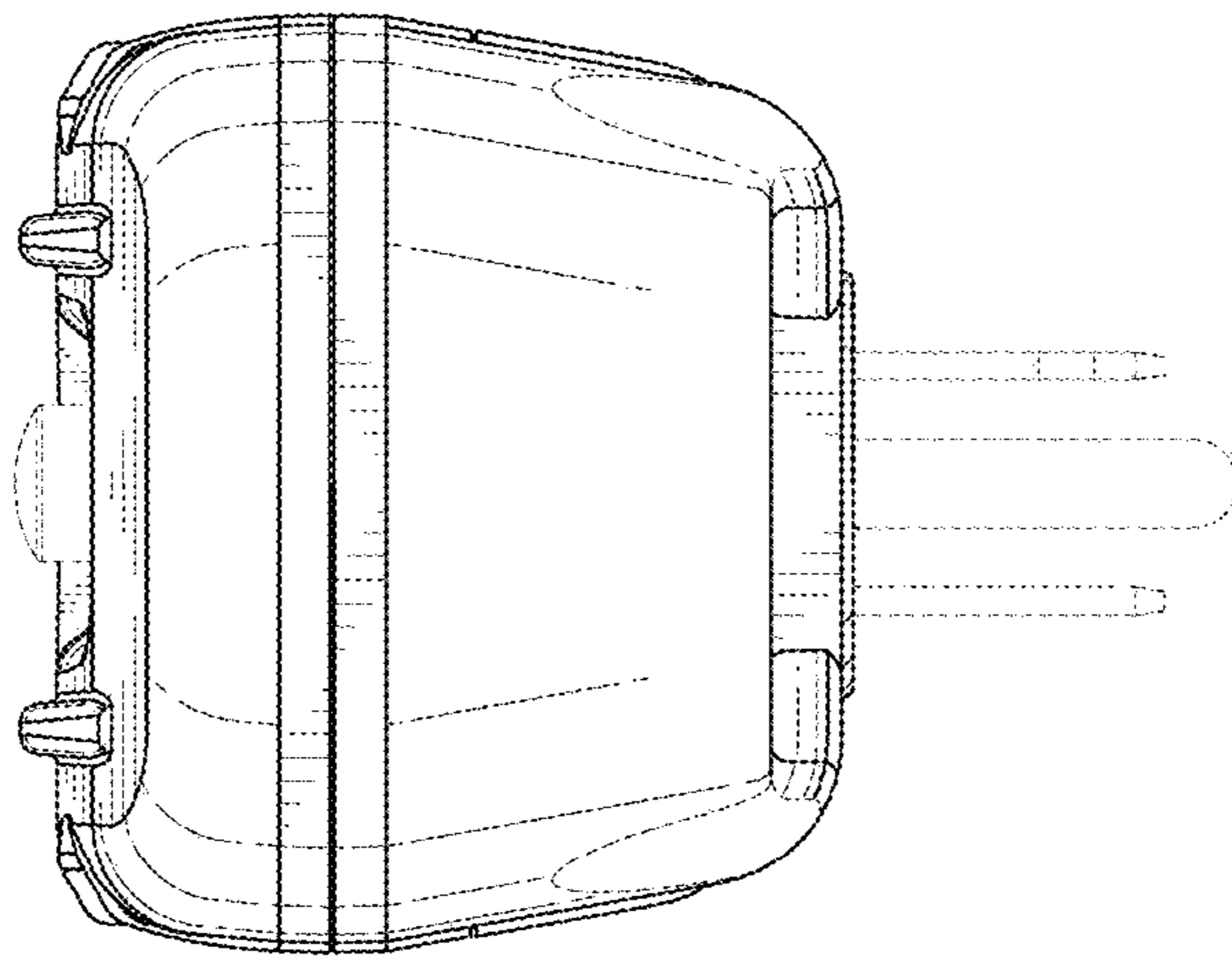


FIG. 6

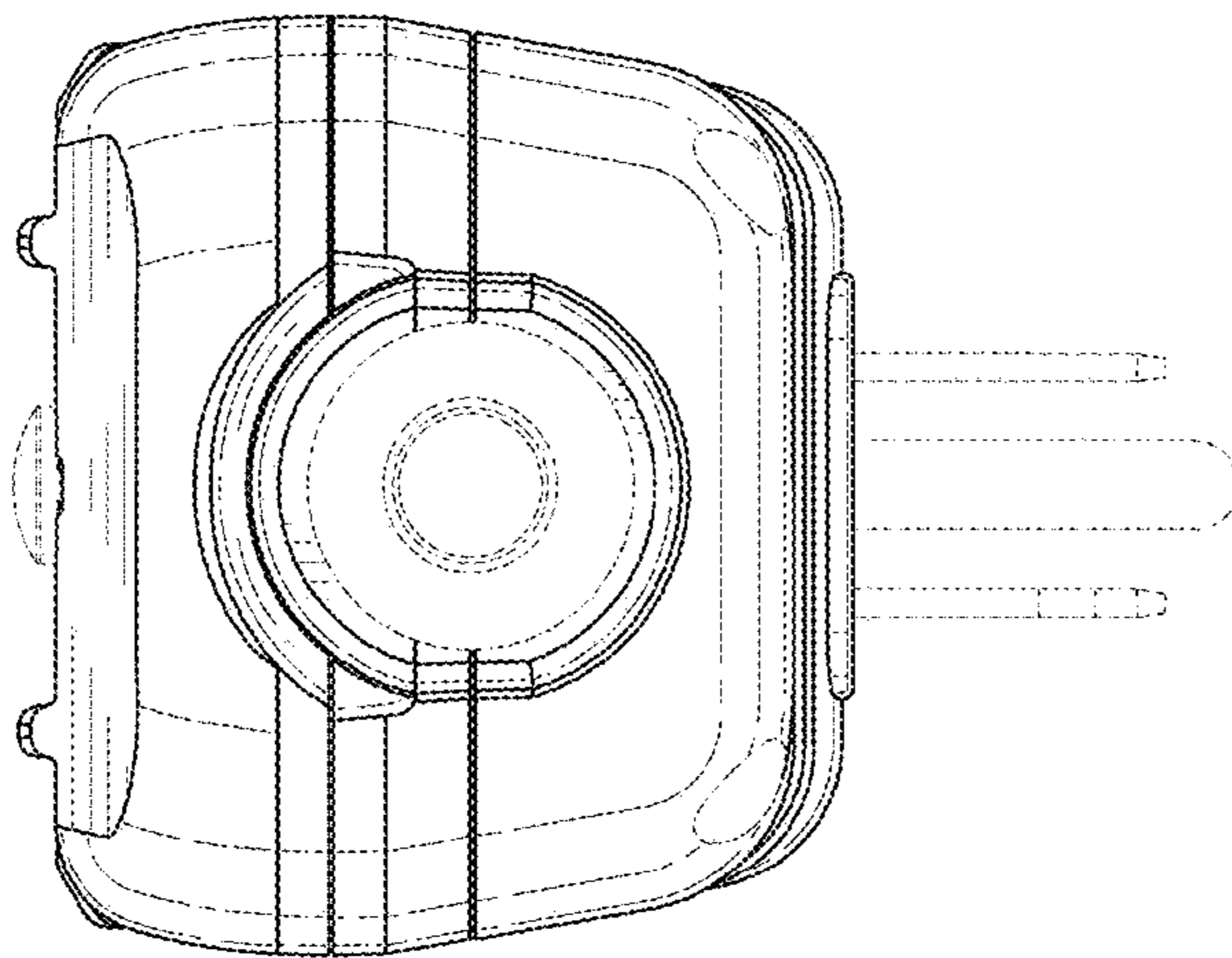


FIG. 7