

US00D860137S

(12) **United States Design Patent**
Ishiguro et al.

(10) **Patent No.:** **US D860,137 S**

(45) **Date of Patent:** **** Sep. 17, 2019**

(54) **CONNECTOR**

(71) Applicant: **Japan Aviation Electronics Industry, Limited**, Tokyo (JP)

(72) Inventors: **Masaki Ishiguro**, Tokyo (JP); **Hideto Shimazu**, Tokyo (JP); **Yuichi Koreeda**, Tokyo (JP)

(73) Assignee: **JAPAN AVIATION ELECTRONICS INDUSTRY, LIMITED**, Tokyo (JP)

(**) Term: **15 Years**

(21) Appl. No.: **29/656,727**

(22) Filed: **Jul. 16, 2018**

(30) **Foreign Application Priority Data**

Jan. 24, 2018 (JP) 2018-001304

(51) **LOC (12) Cl.** **13-03**

(52) **U.S. Cl.**
USPC **D13/133**

(58) **Field of Classification Search**
USPC D13/101, 118, 123, 133, 145-147, 149, D13/151, 154, 184, 199
CPC ... G02B 6/36; G02B 6/38; G02B 6/42; H01R 12/00; H01R 13/62; H01R 13/622; H01R 13/625; H01R 13/627; H01R 13/63; H01R 13/639; H01R 13/65; H01R 13/658; H02G 3/08; H02G 3/18
See application file for complete search history.

(56) **References Cited**

U.S. PATENT DOCUMENTS

- D580,866 S * 11/2008 Vitito D13/146
- D776,616 S * 1/2017 Katagiyama D13/133
- D817,883 S * 5/2018 Ishiguro D13/133
- 2009/0142952 A1* 6/2009 Akasaka H01R 13/622
439/314
- 2010/0104355 A1* 4/2010 Sugimoto G02B 6/3897
403/292

- 2011/0158586 A1* 6/2011 Katagiyama G02B 6/3825
385/55
- 2011/0206333 A1* 8/2011 Allain H01R 13/625
385/134
- 2013/0264898 A1* 10/2013 Yamamoto H02K 3/50
310/71
- 2013/0301993 A1* 11/2013 Toda G02B 6/36
385/76
- 2014/0065872 A1* 3/2014 Yamada H01R 13/625
439/357

FOREIGN PATENT DOCUMENTS

JP 11305077 A * 11/1999

* cited by examiner

Primary Examiner — Angela J Lee

Assistant Examiner — Shawn T Gingrich

(74) *Attorney, Agent, or Firm* — Manabu Kanesaka

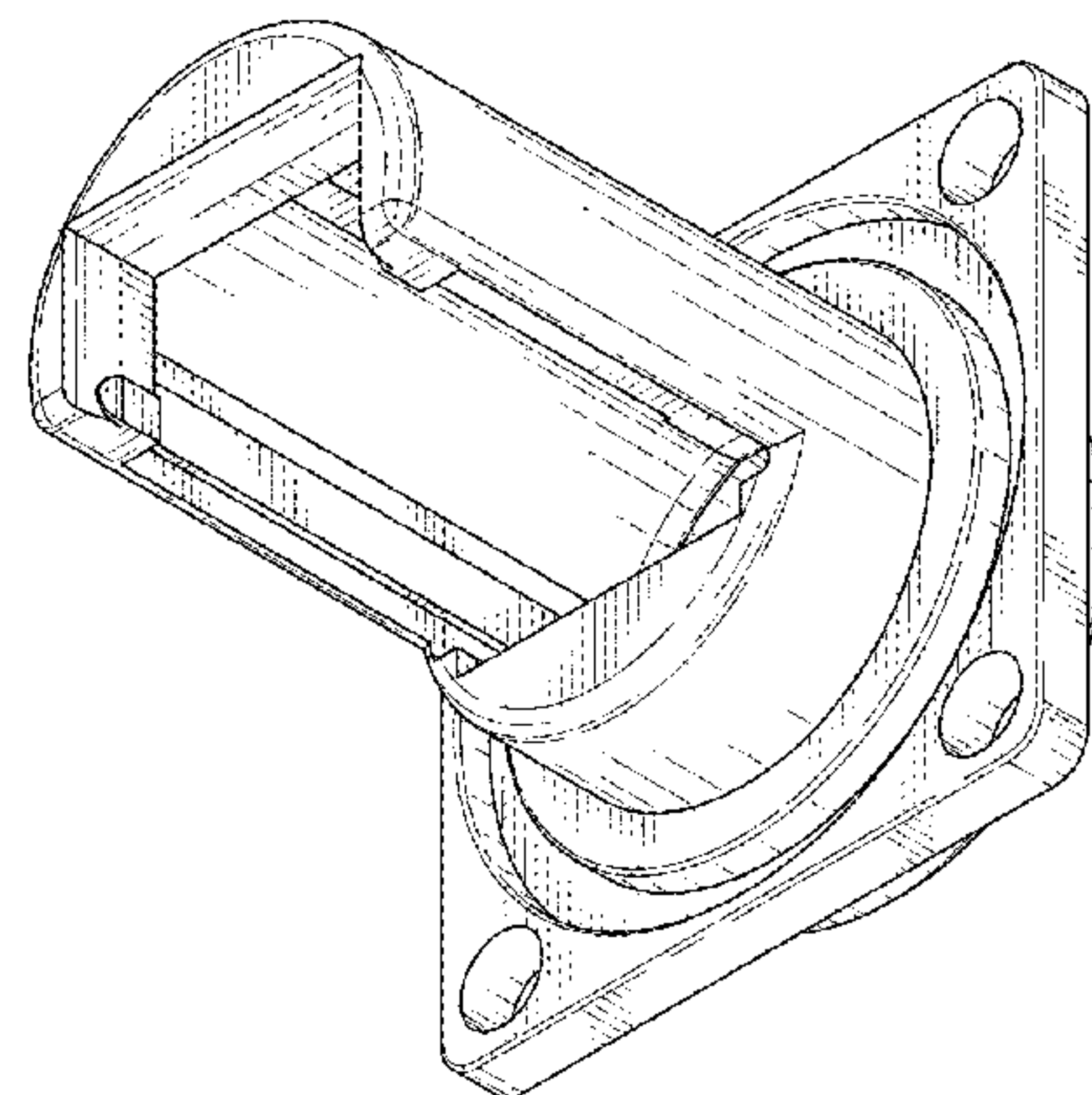
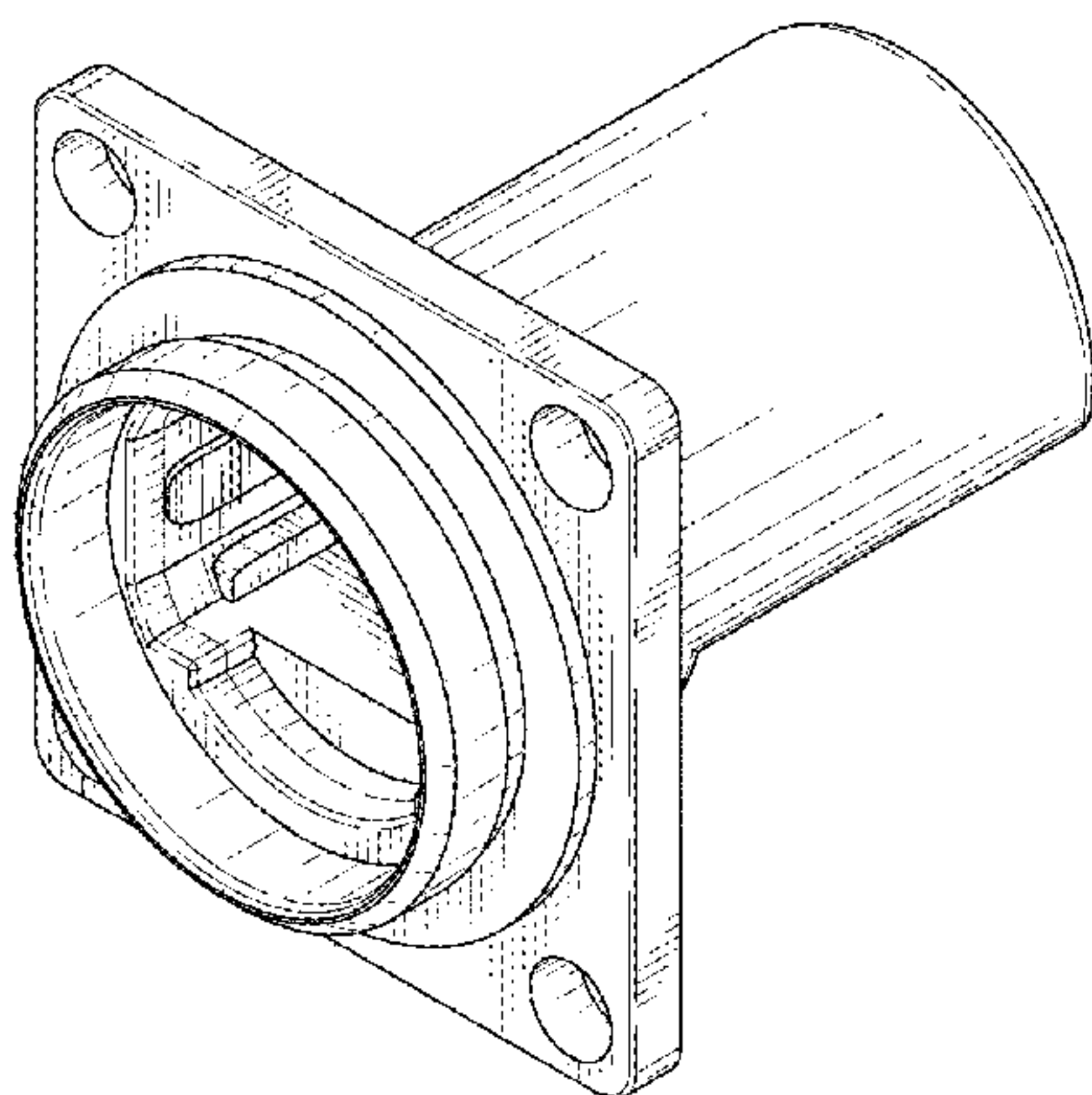
(57) **CLAIM**

The ornamental design for a connector, as shown and described.

DESCRIPTION

FIG. 1 is a front elevational view of a connector showing our new design;
 FIG. 2 is a rear elevational view thereof;
 FIG. 3 is a right side elevational view thereof;
 FIG. 4 is a left side elevational view thereof;
 FIG. 5 is a top plan view thereof;
 FIG. 6 is a bottom plan view thereof;
 FIG. 7 is a perspective view showing a front, top and right side thereof;
 FIG. 8 is a perspective view showing a rear, bottom and left side thereof;
 FIG. 9 is a perspective view showing a front, right and bottom side thereof; and,
 FIG. 10 is a perspective view showing a rear, left and top side thereof.

1 Claim, 5 Drawing Sheets



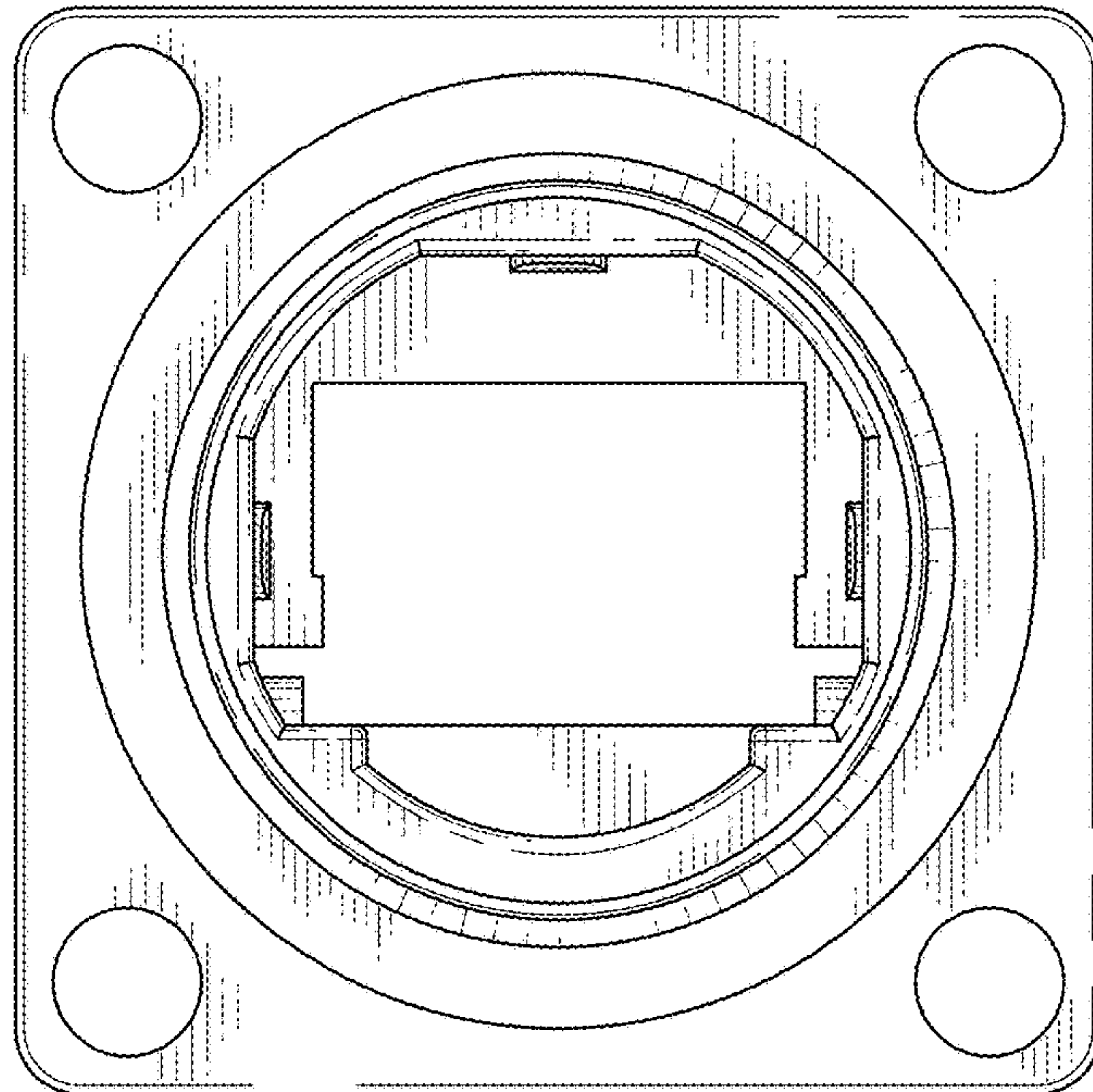


FIG. 1

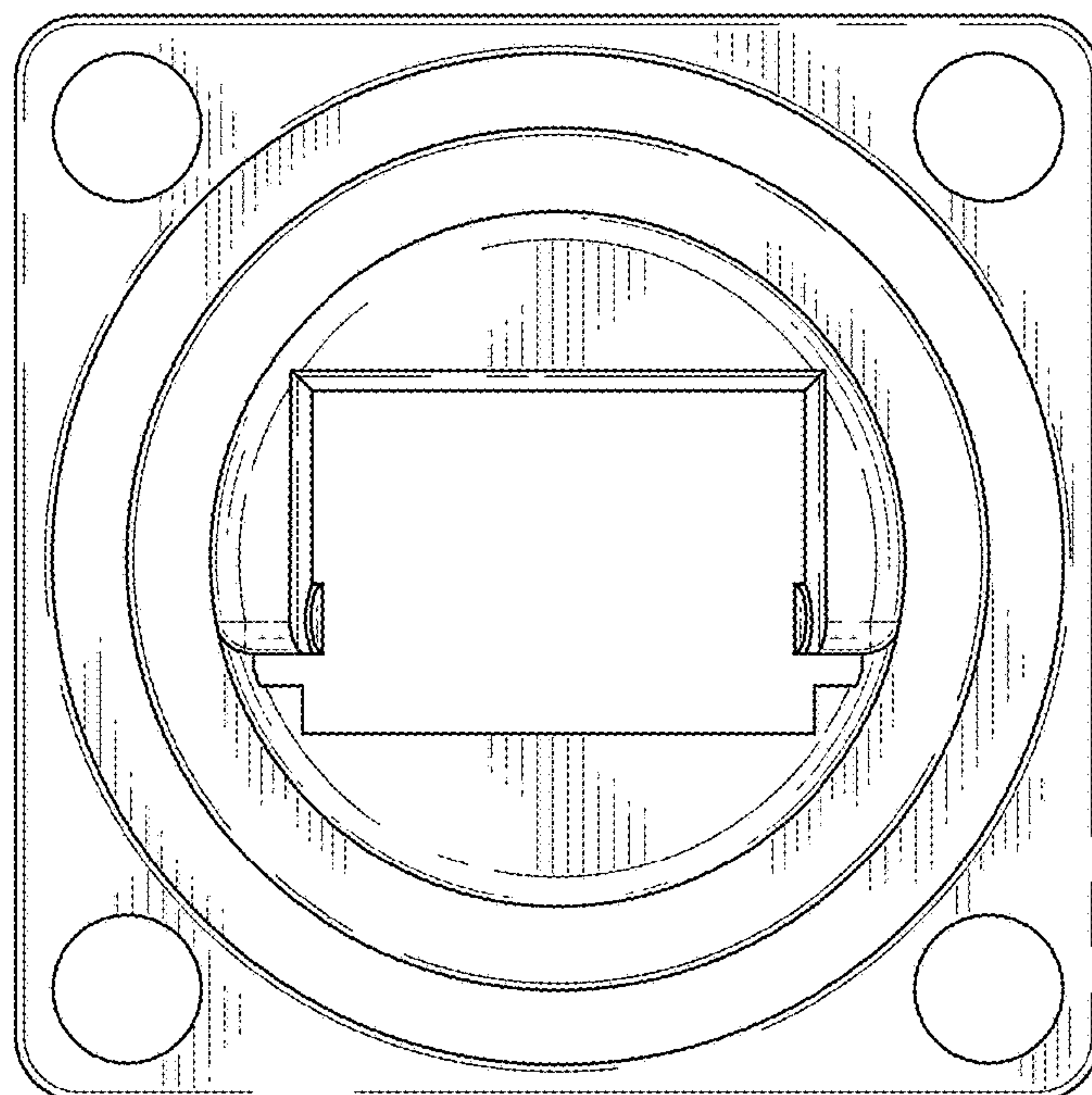


FIG. 2

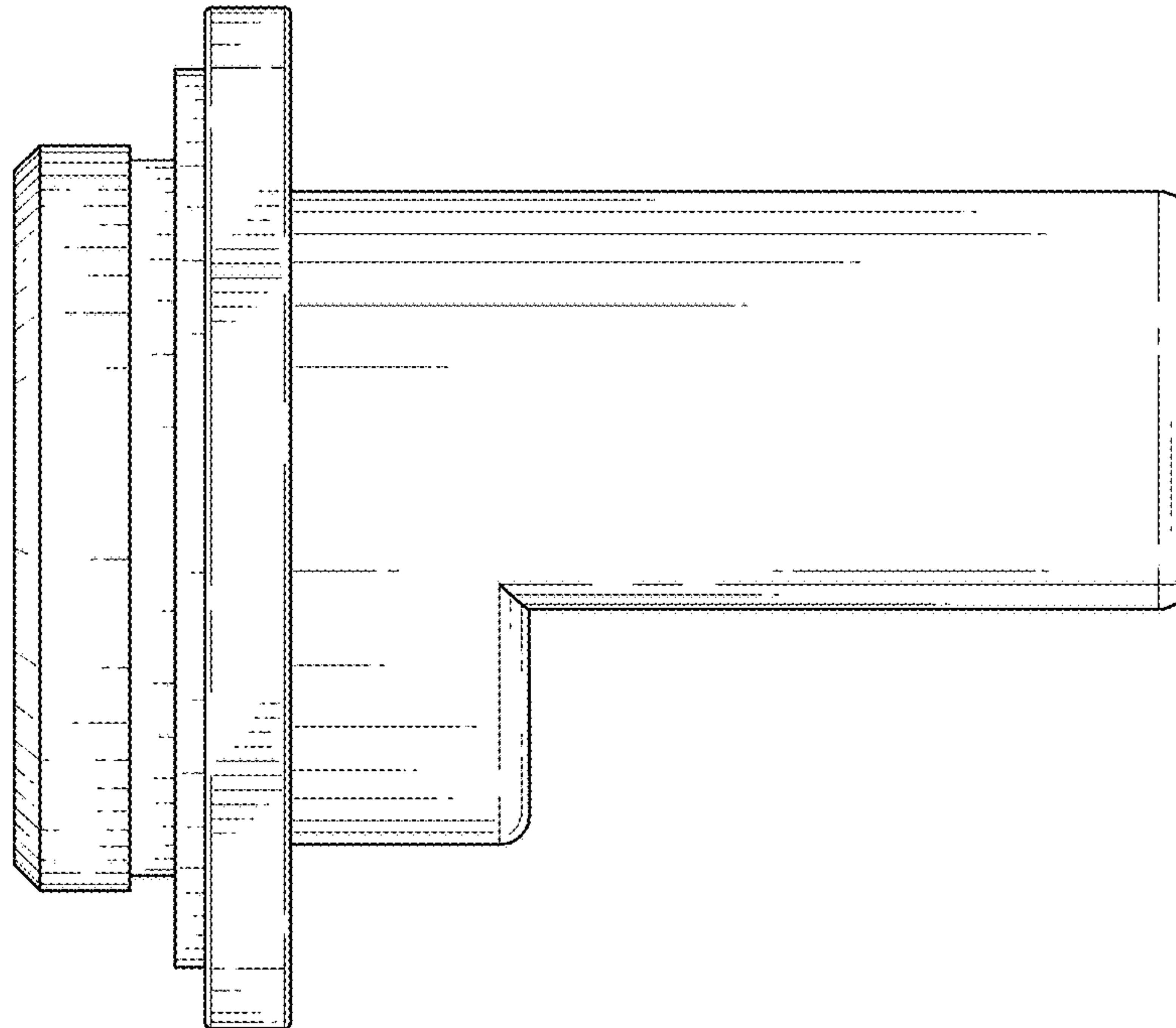


FIG. 3

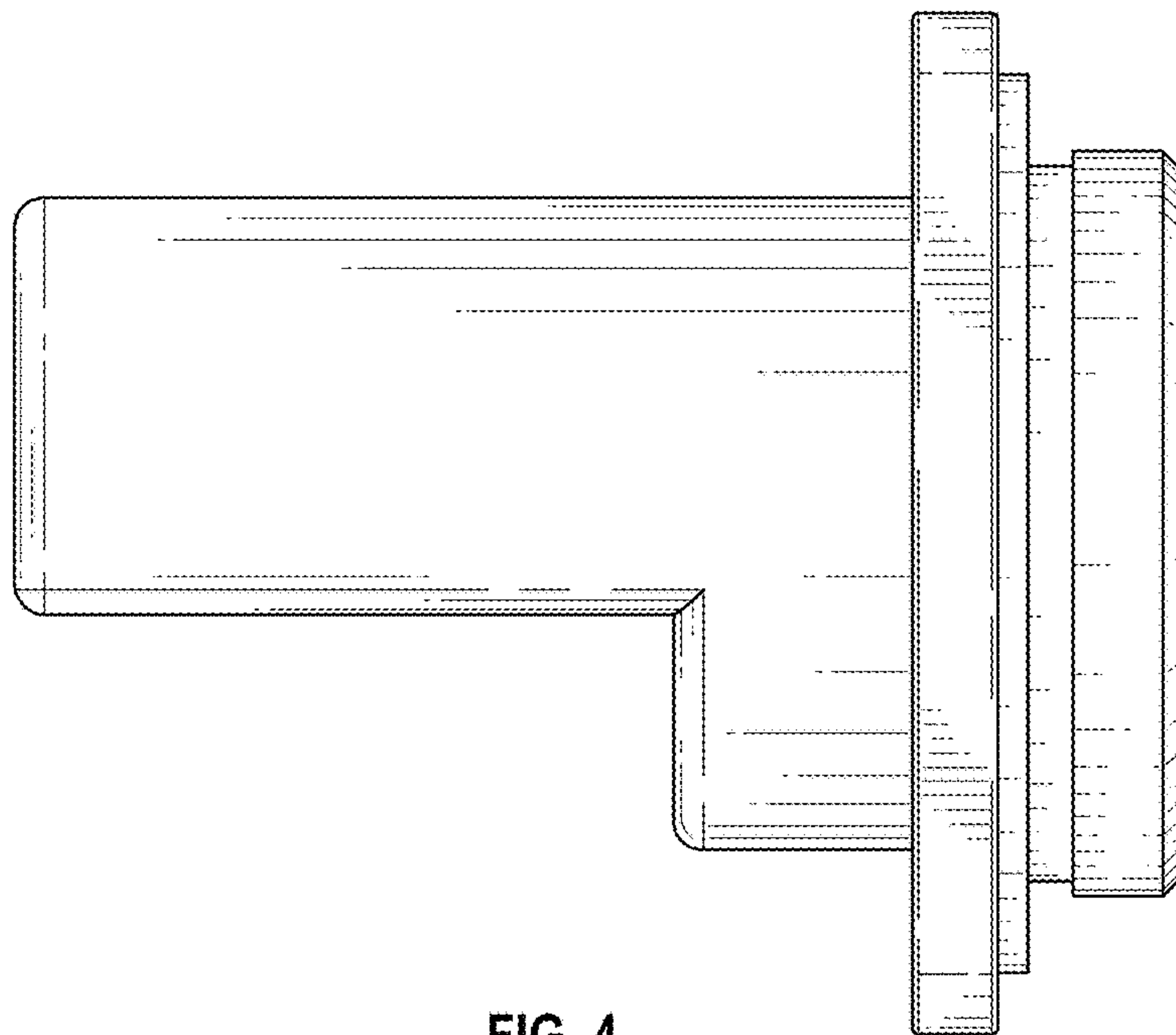


FIG. 4

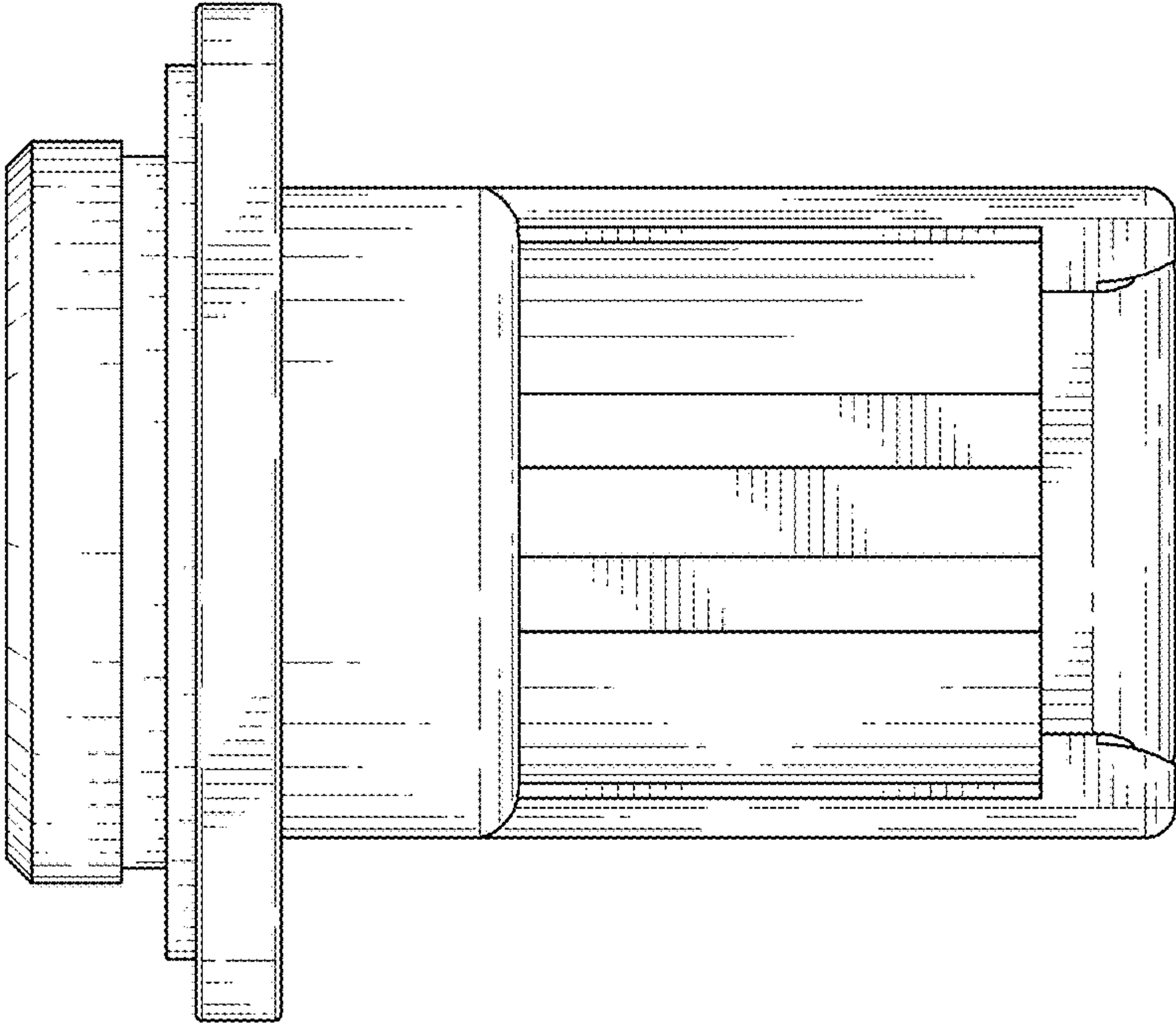


FIG. 6

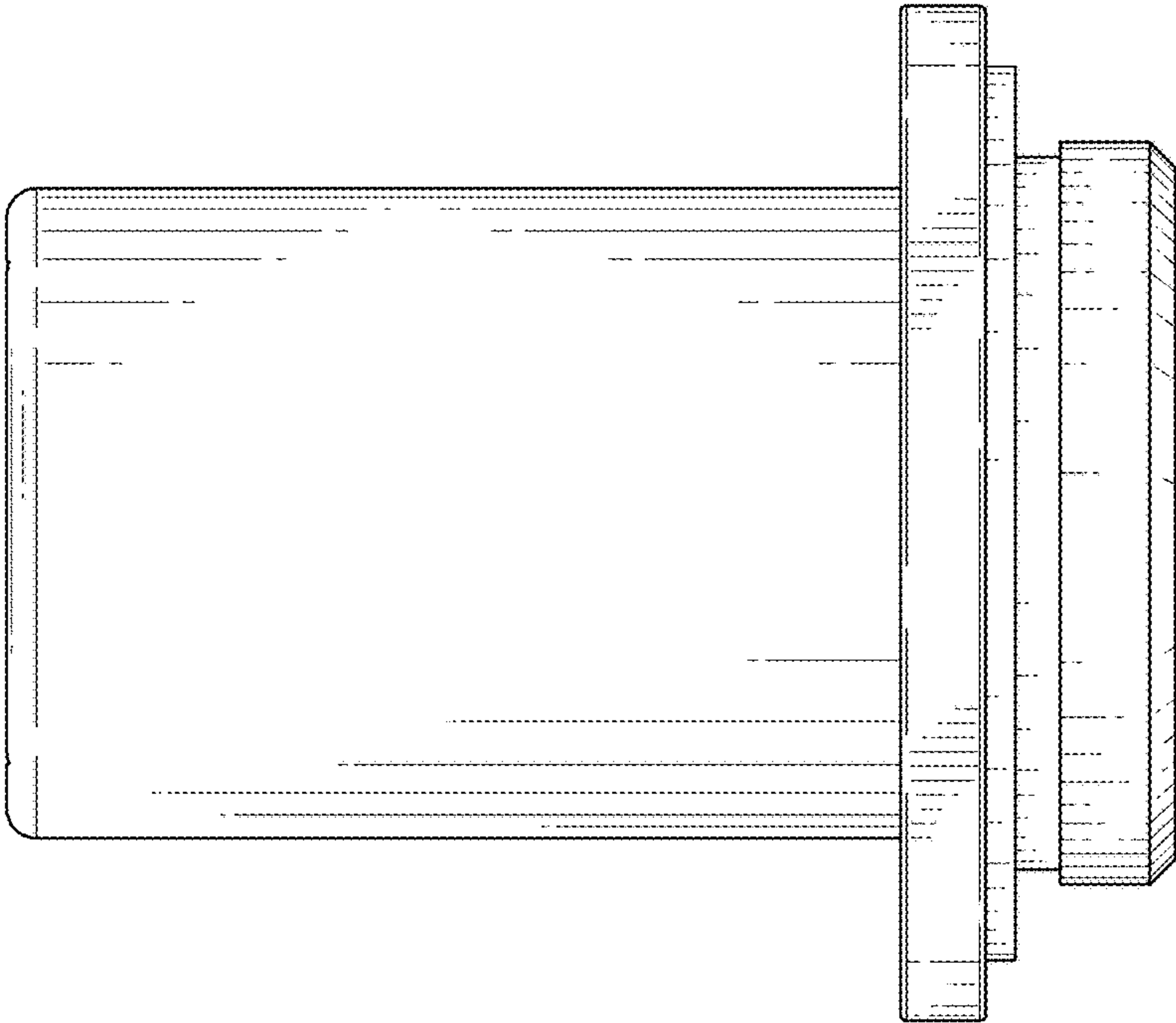


FIG. 5

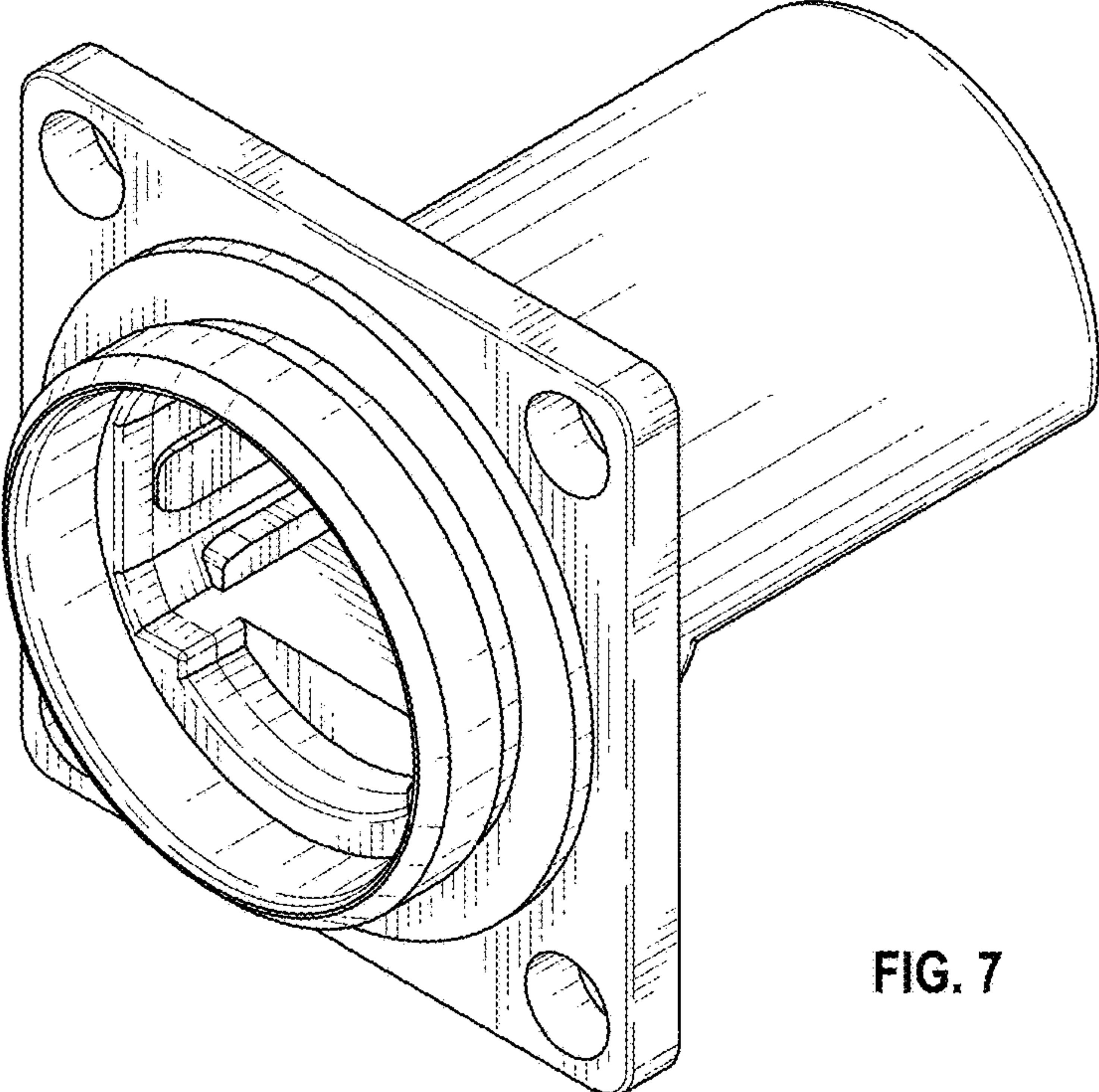


FIG. 7

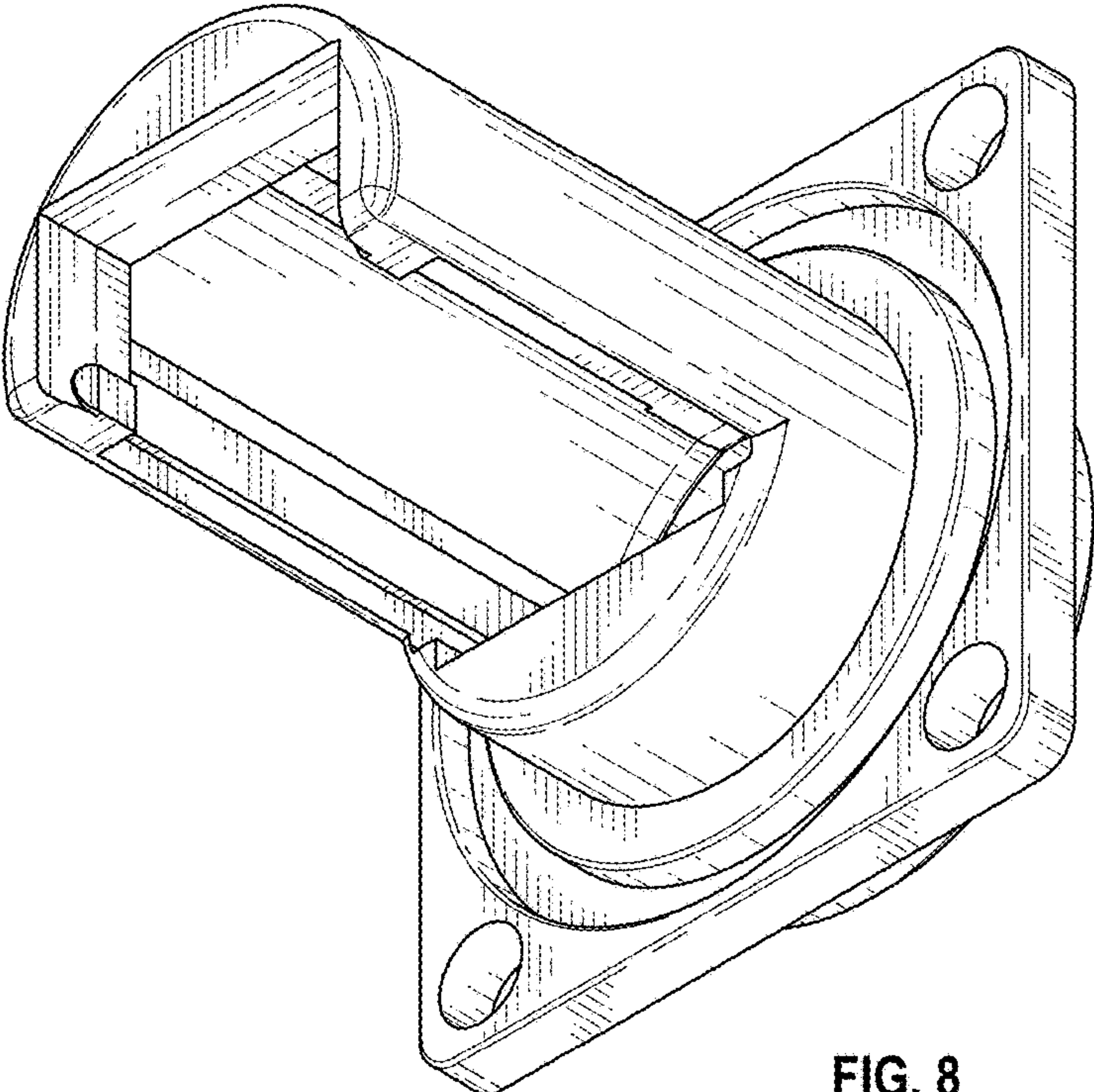


FIG. 8

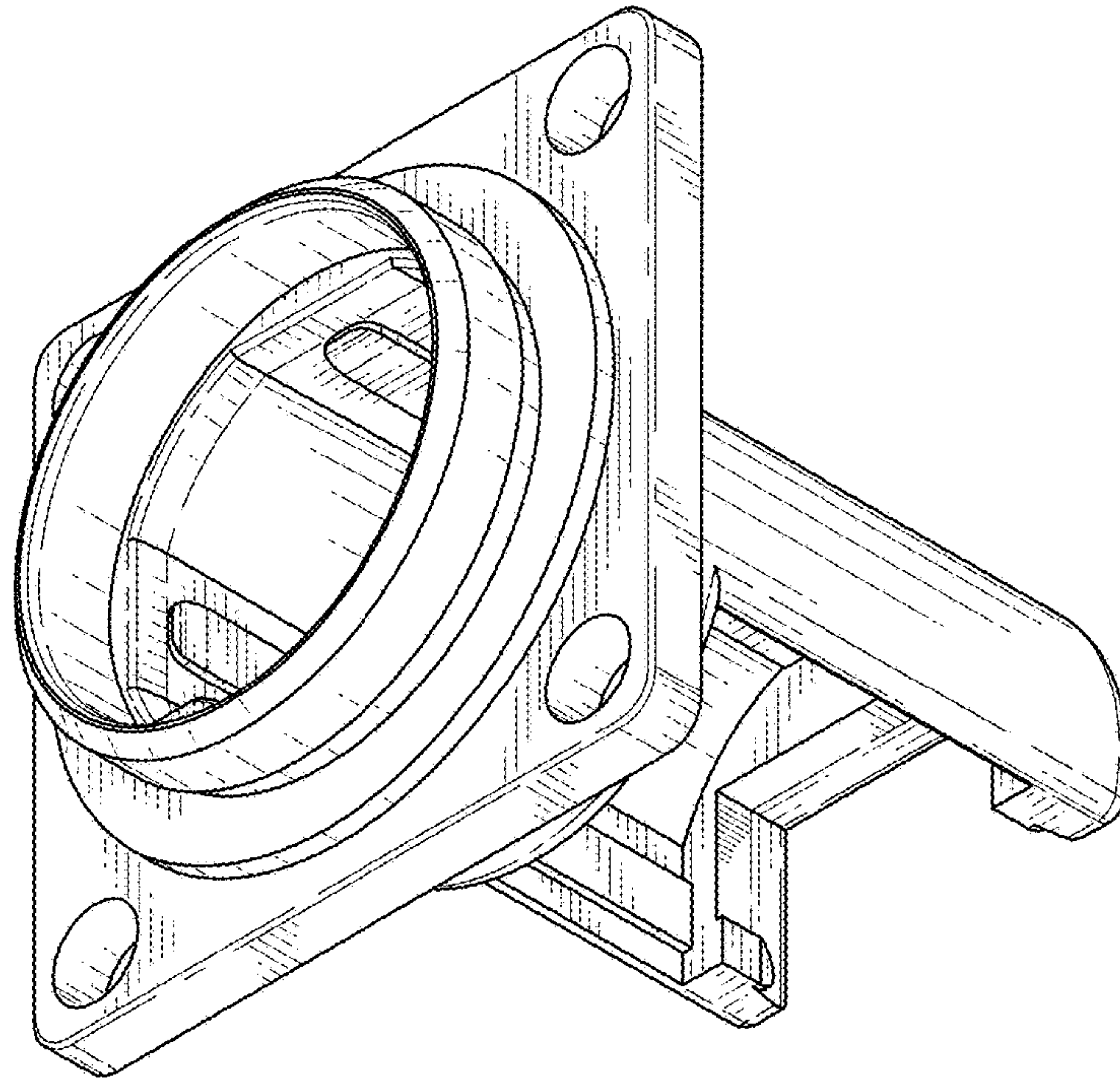


FIG. 9

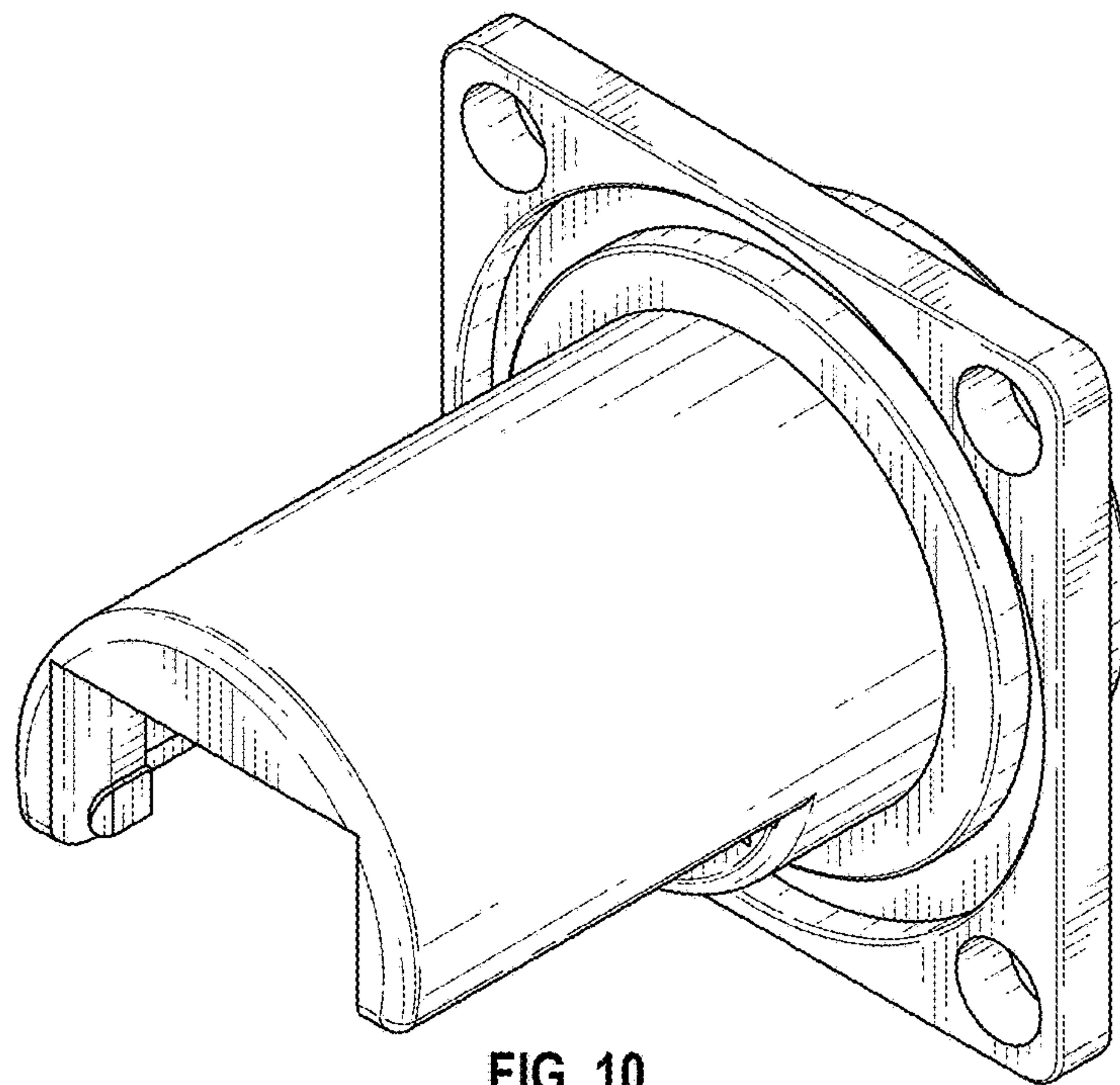


FIG. 10