

US00D860136S

(12) **United States Design Patent** (10) **Patent No.:** **US D860,136 S**
Li (45) **Date of Patent:** **** Sep. 17, 2019**

(54) **ELECTRICAL CONNECTOR**
(71) Applicant: **IDEAL Industries, Inc.**, Sycamore, IL (US)
(72) Inventor: **Jia Yong Li**, Westford, MA (US)
(73) Assignee: **IDEAL Industries, Inc.**, Sycamore, IL (US)

(**) Term: **15 Years**
(21) Appl. No.: **29/629,480**
(22) Filed: **Dec. 13, 2017**
(51) **LOC (12) Cl.** **13-03**
(52) **U.S. Cl.**
USPC **D13/133**
(58) **Field of Classification Search**
USPC D13/118, 123, 133, 146, 147, 149, 151,
D13/154, 173, 184, 199, 119, 120;
D24/129
CPC B21F 15/06; H02J 7/00; H02J 7/04; H01R
4/2433; H01R 12/70; H01R 12/71; H01R
12/732; H01R 13/02; H01R 13/44; H01R
13/64; H01R 24/00
See application file for complete search history.

D519,924 S * 5/2006 Baker D13/133
D578,065 S * 10/2008 Baker D13/133
D589,446 S * 3/2009 Dunham D13/133
D642,528 S * 8/2011 Gravolin D13/133
D661,251 S * 6/2012 Cheng D13/120
D665,748 S * 8/2012 Baker D13/133
9,876,323 B1 * 1/2018 Lybrand H01R 24/84
2004/0171309 A1 * 9/2004 Baker H01R 13/44
439/680

OTHER PUBLICATIONS

Corsa-Technic, dated Aug. 16, 2016, [online], [site visited Dec. 5, 2018]. Available from Internet, <URL: https://www.corsa-technic.com/item.php?item_id=473&category_id=98> (Year: 2016).*

* cited by examiner

Primary Examiner — Angela J Lee
Assistant Examiner — Shawn T Gingrich
(74) *Attorney, Agent, or Firm* — Greenberg Traurig, LLP

(57) **CLAIM**

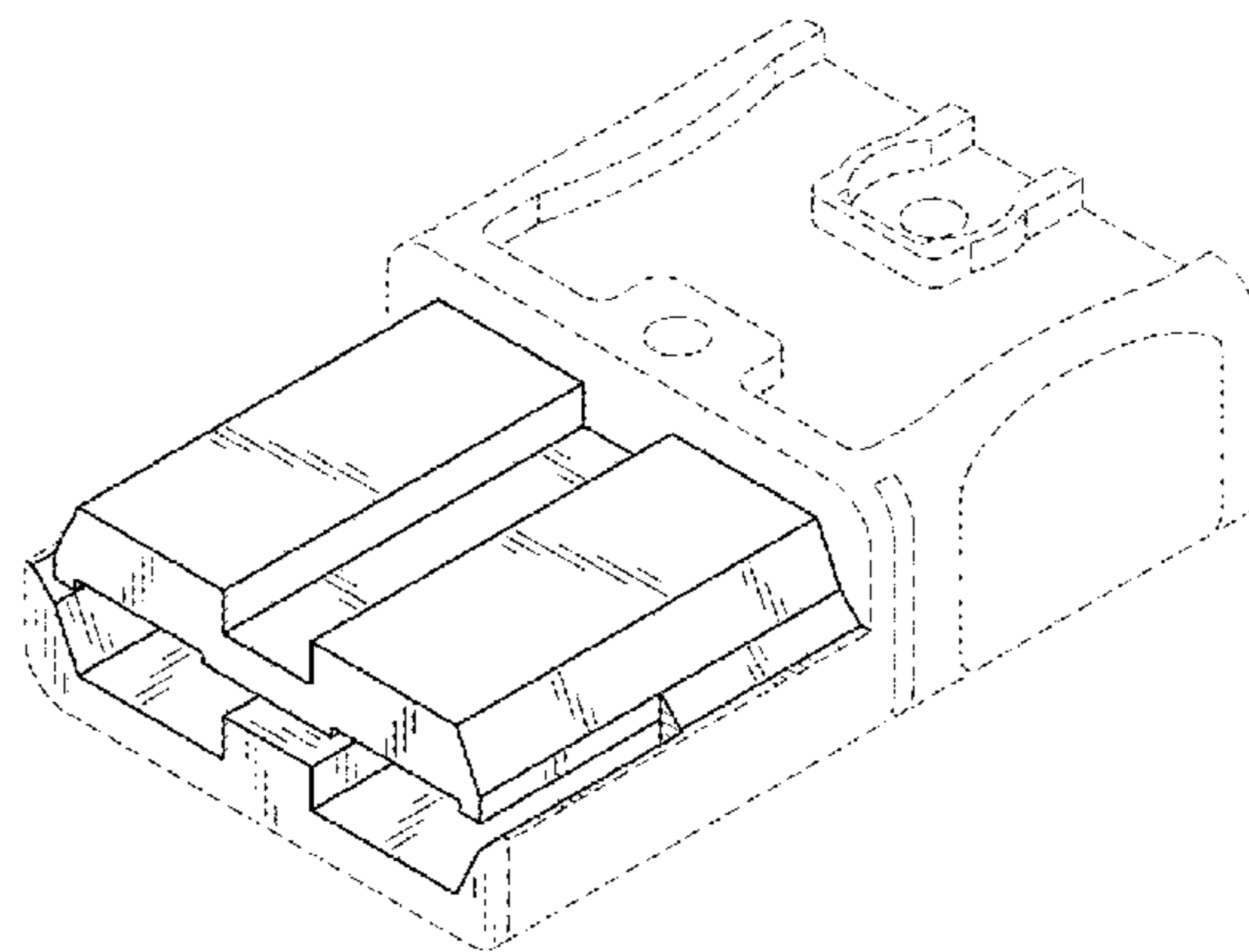
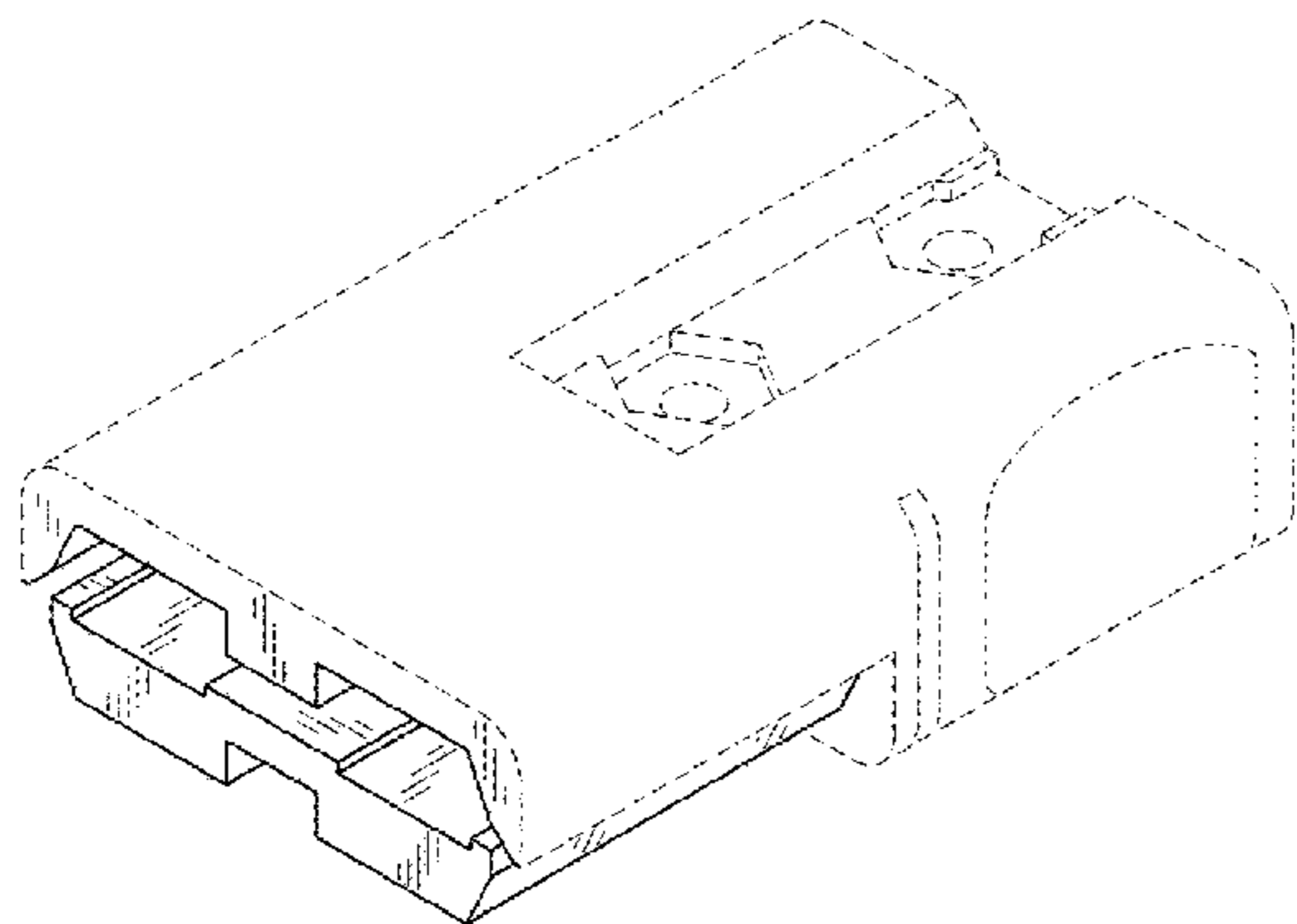
The ornamental design for an electrical connector, as shown and described.

DESCRIPTION

FIG. 1 is a top, front perspective view of an electrical connector showing my new design;
FIG. 2 is bottom, front perspective view thereof;
FIG. 3 is a top plan view thereof;
FIG. 4 is a bottom plan view thereof;
FIG. 5 is a front side elevational view thereof;
FIG. 6 is a rear side elevational view thereof;
FIG. 7 is a right side elevational view thereof; and,
FIG. 8 is a left side elevational view thereof.
The broken lines depict portions of the electrical connector that form no part of the claimed design.

1 Claim, 4 Drawing Sheets

(56) **References Cited**
U.S. PATENT DOCUMENTS
3,091,746 A * 5/1963 Winkler H01R 24/84
439/295
D208,551 S * 9/1967 Geis D13/133
3,654,586 A * 4/1972 Winkler H01R 13/64
439/295
3,794,957 A * 2/1974 Winkler H01R 13/28
439/170
3,909,099 A * 9/1975 Winkler H01R 13/562
439/295
6,089,898 A * 7/2000 Lincoln, III H01R 13/6272
439/357
D512,687 S * 12/2005 Baker D13/133



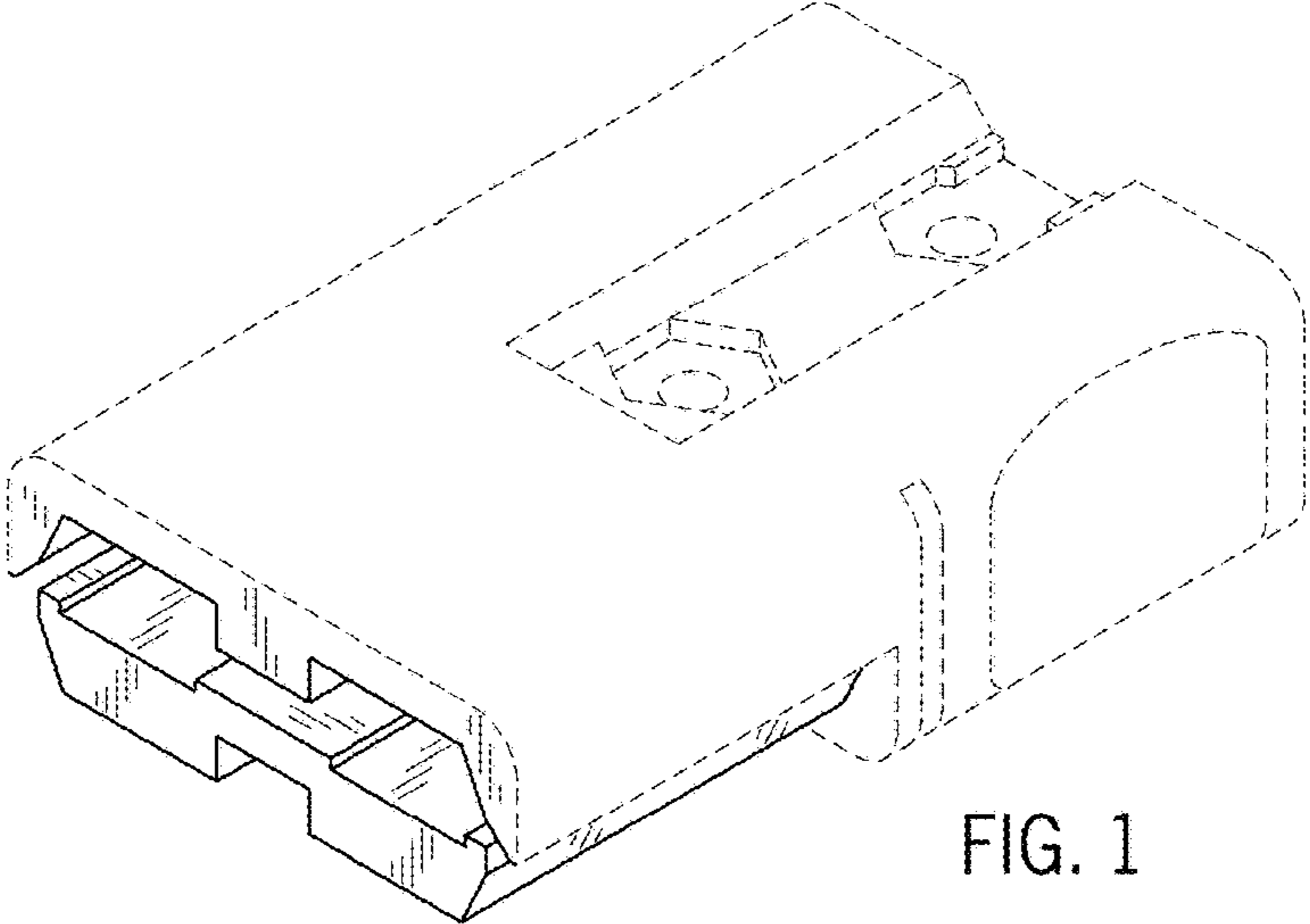


FIG. 1

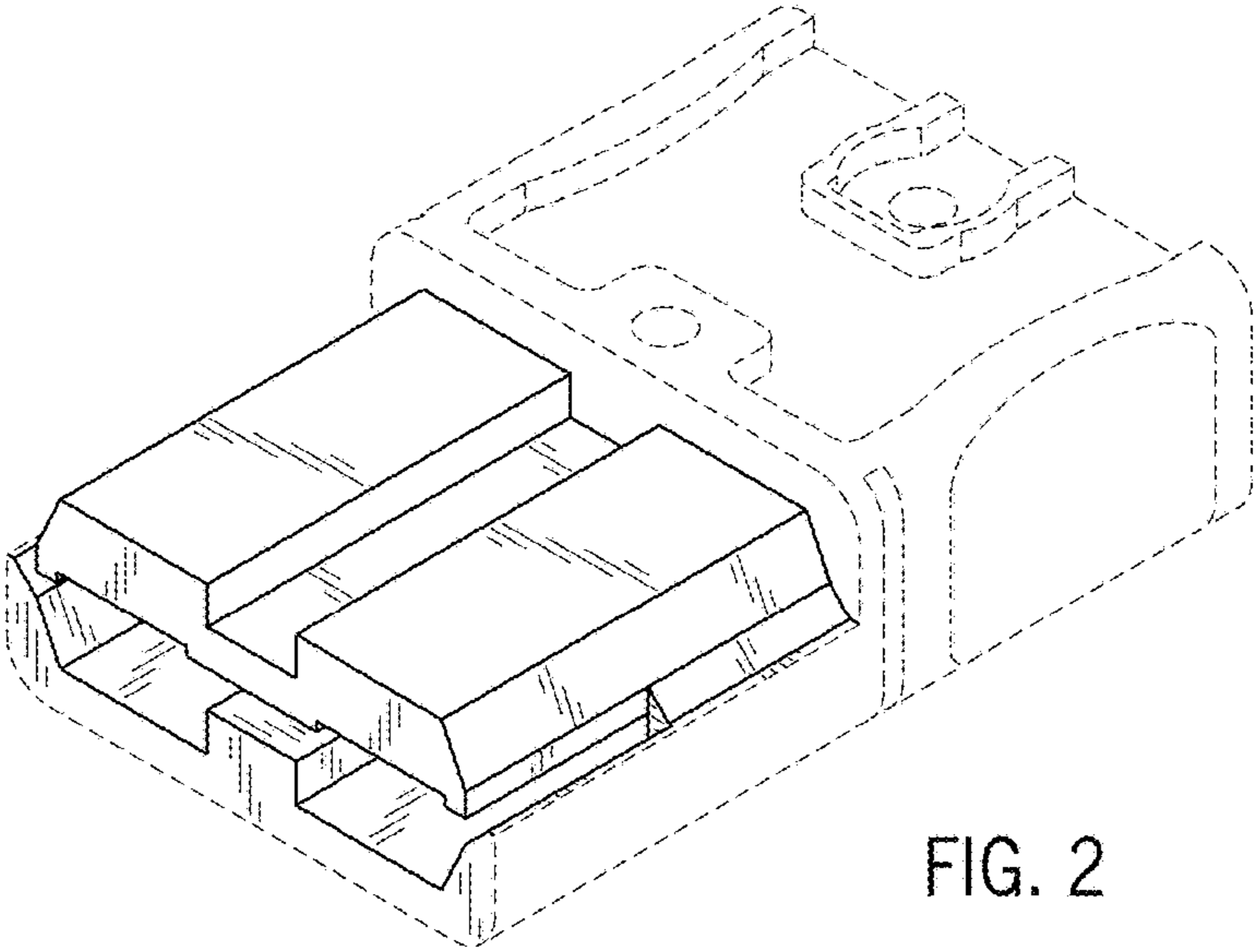


FIG. 2

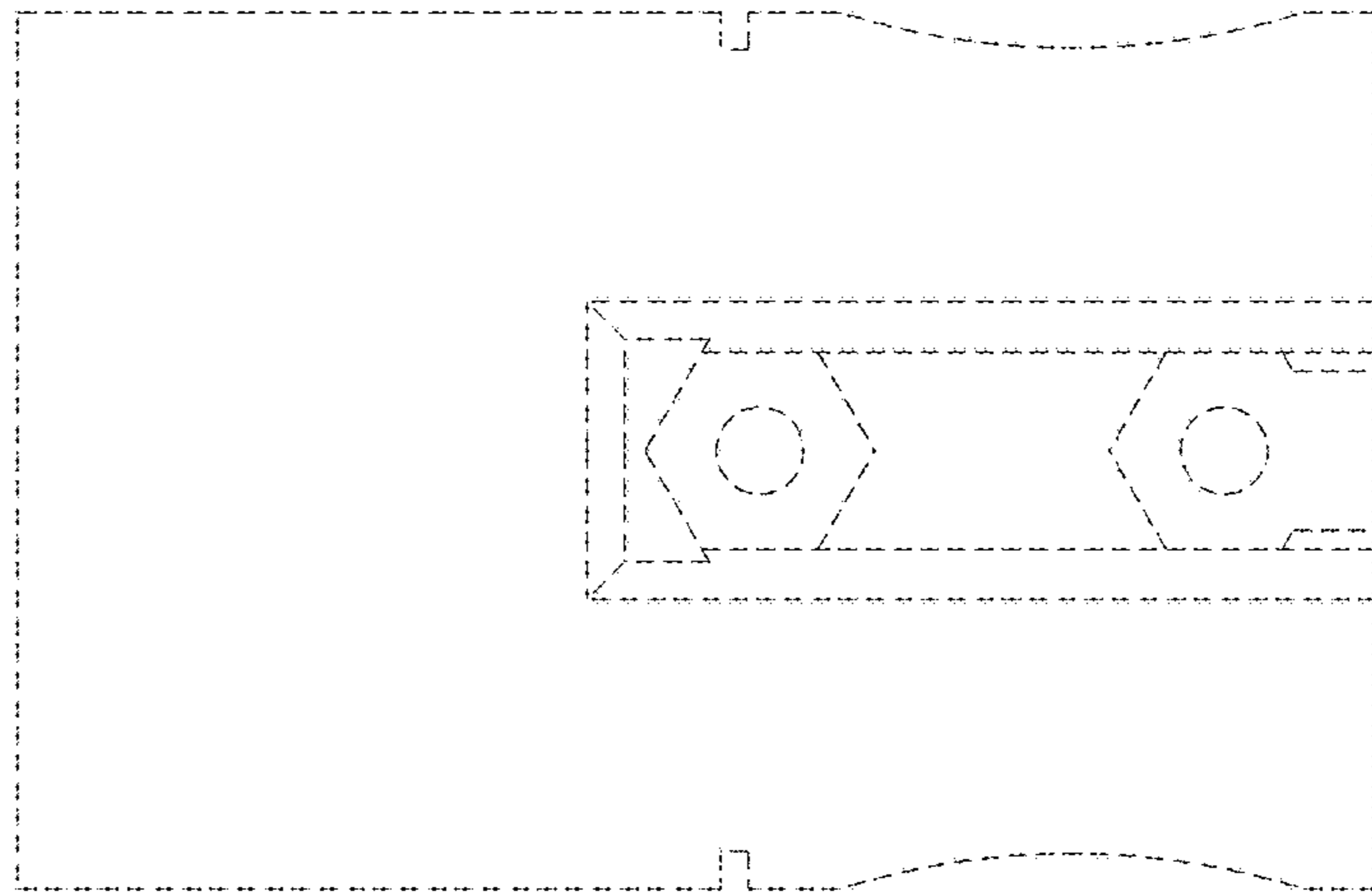


FIG. 3

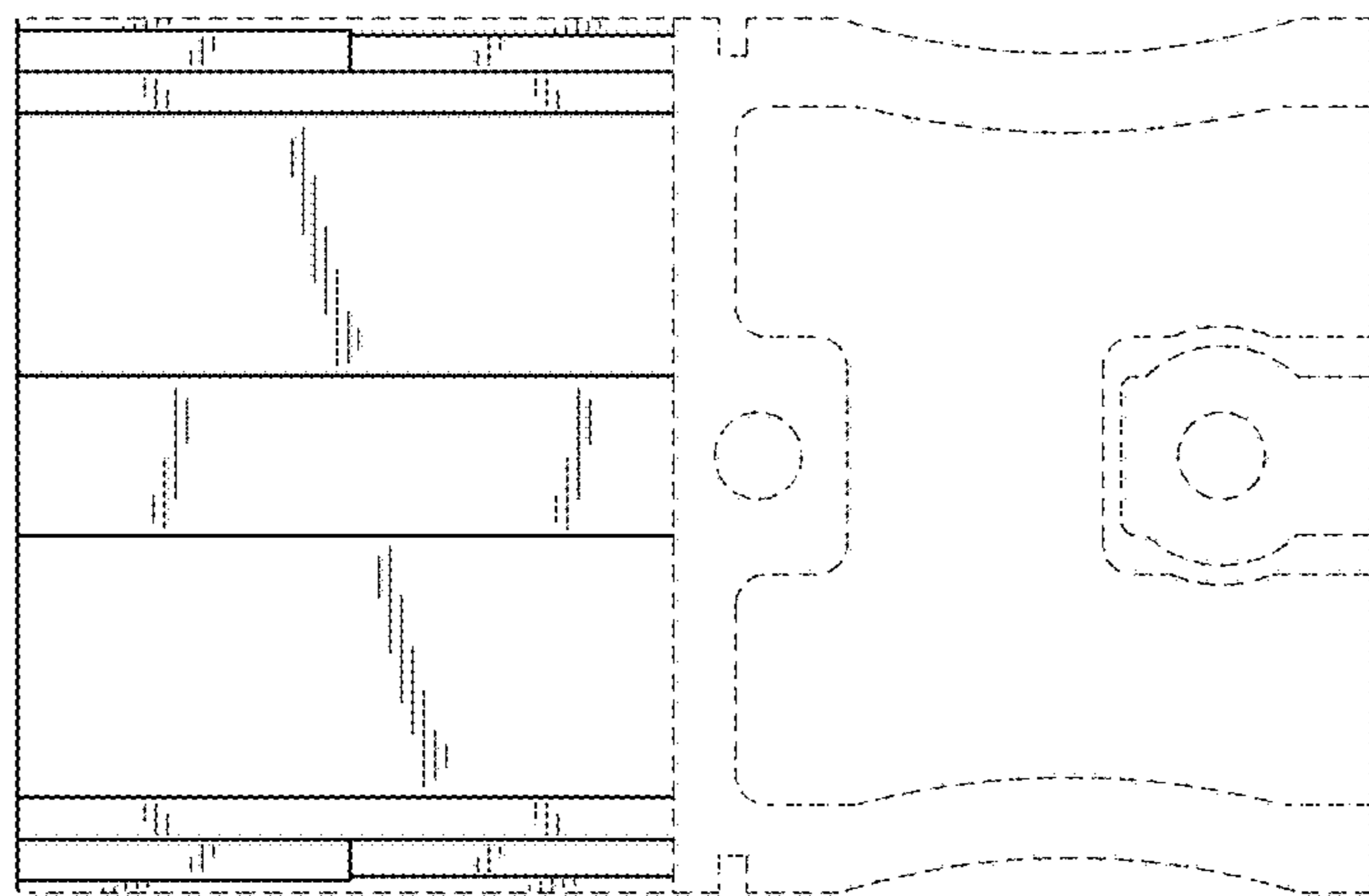


FIG. 4

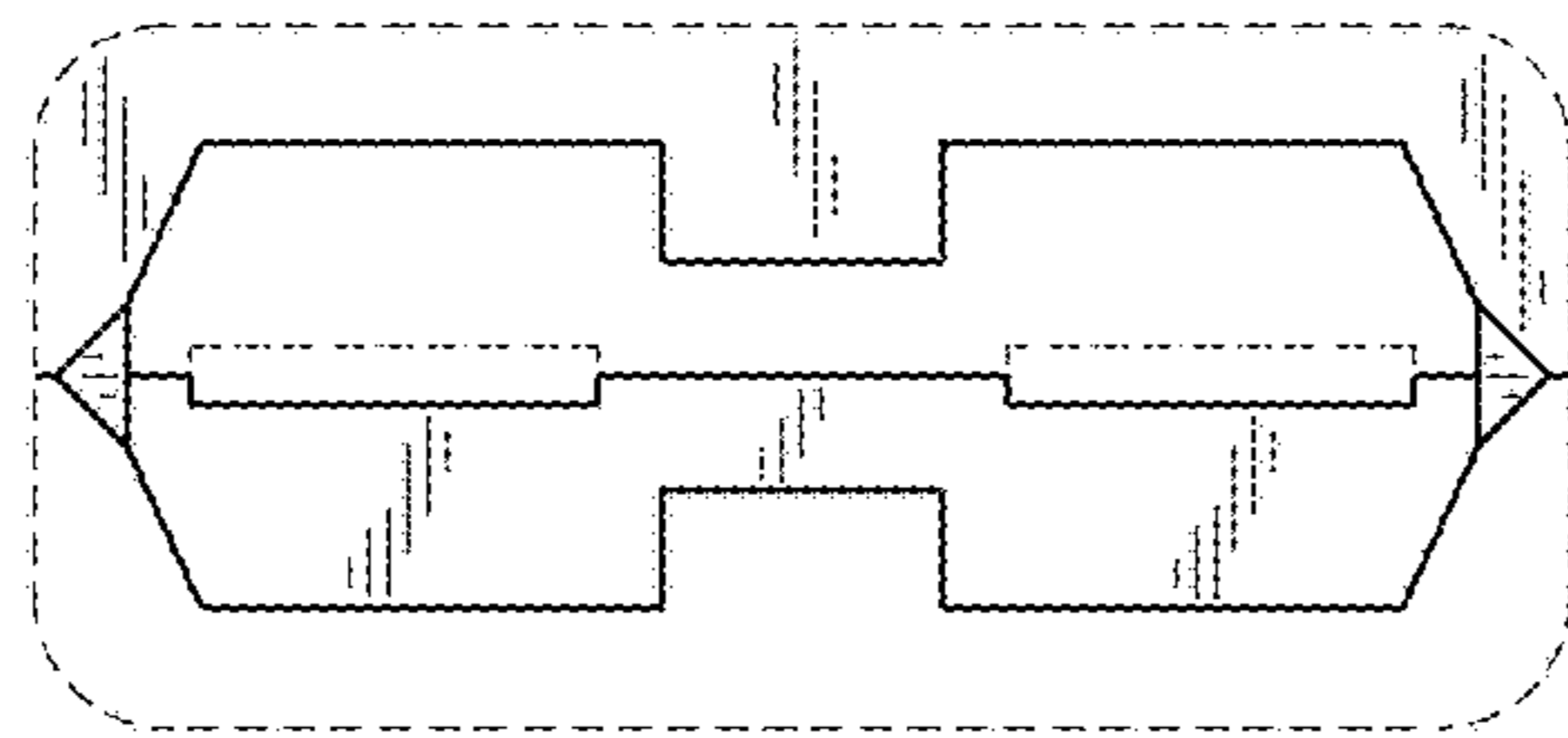


FIG. 5

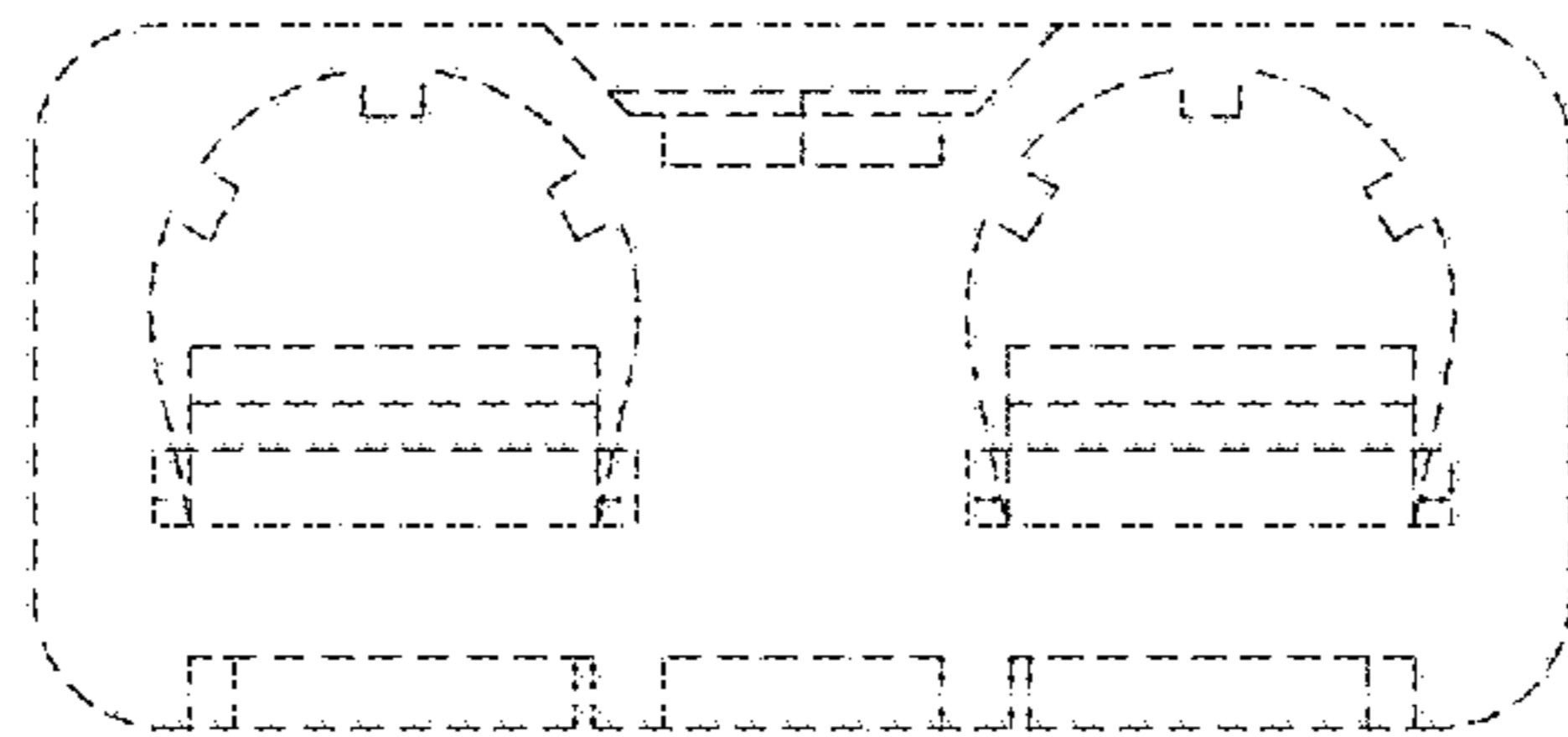


FIG. 6

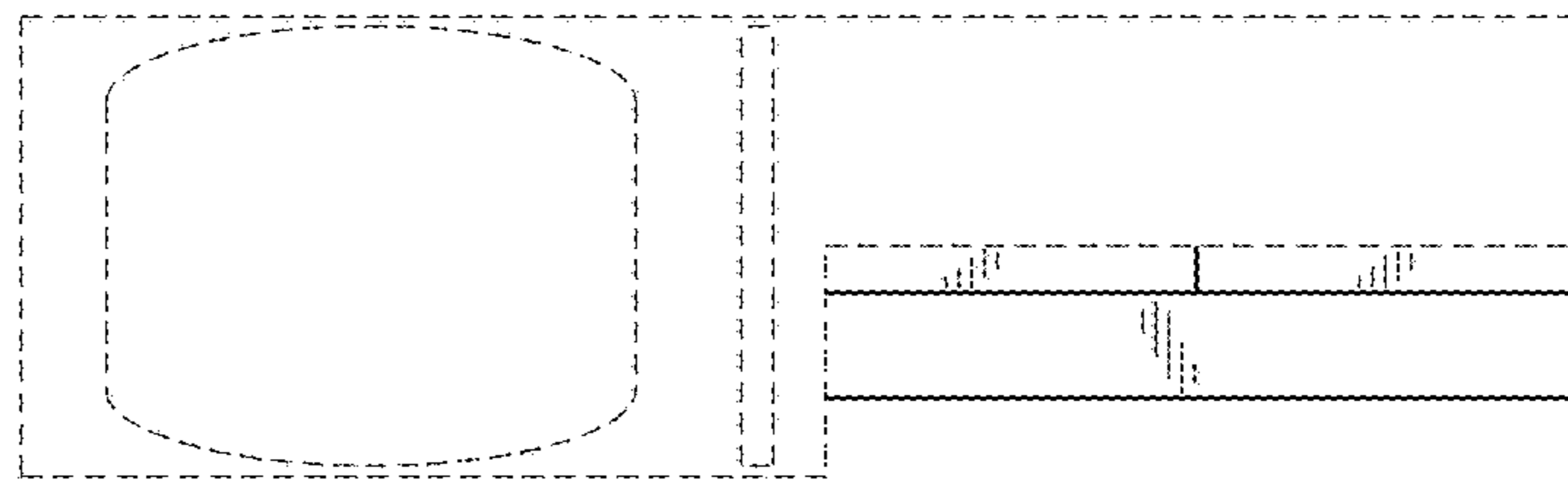


FIG. 7

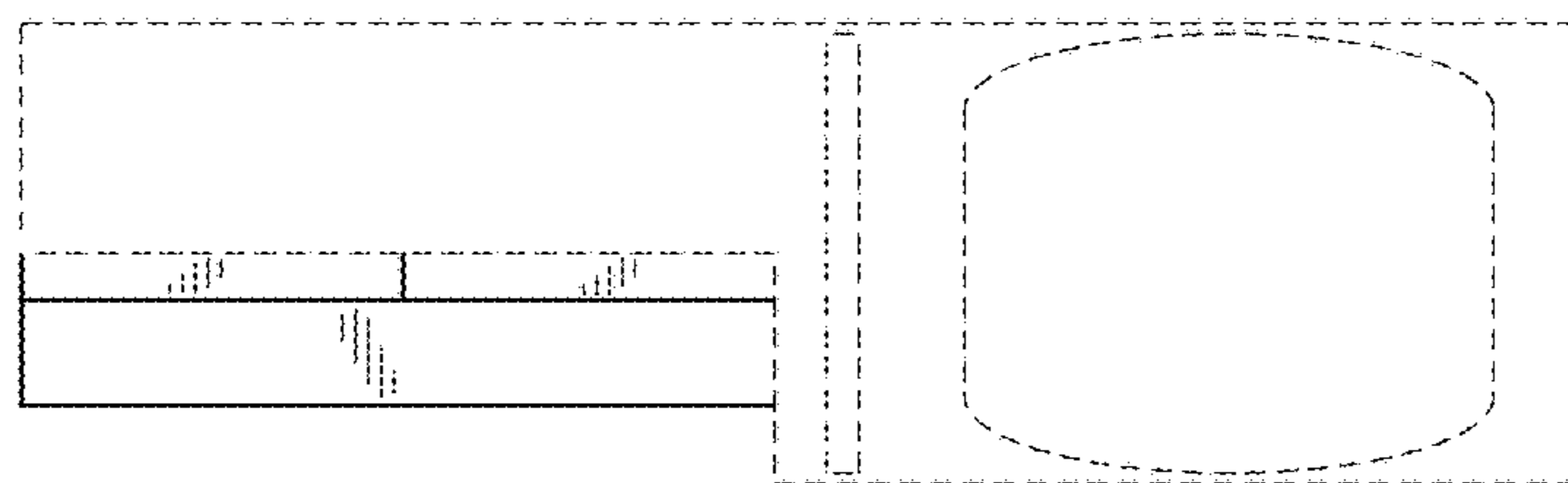


FIG. 8