



US00D860133S

(12) **United States Design Patent** (10) **Patent No.:** **US D860,133 S**
Martinez (45) **Date of Patent:** **** *Sep. 17, 2019**

(54) **AIR TURBINE STARTER HOUSING**

(71) Applicant: **Unison Industries, LLC**, Jacksonville, FL (US)

(72) Inventor: **Luis Angel Martinez**, Querétaro (MX)

(73) Assignee: **Unison Industries, LLC**, Jacksonville, FL (US)

D347,619 S * 6/1994 VanHorn D13/113
6,681,579 B2 * 1/2004 Lane F01D 25/18
60/39.091
D619,534 S * 7/2010 Umehara D13/112
D650,332 S * 12/2011 Pourkermani D13/114
D705,816 S * 5/2014 Katada D13/112
D729,732 S * 5/2015 Kasaba D13/112
D753,590 S * 4/2016 Yamada D13/112
9,394,831 B2 * 7/2016 Brust F02C 7/268
2007/0210671 A1 * 9/2007 McMillan H01R 39/381
310/239

(*) Notice: This patent is subject to a terminal disclaimer.

* cited by examiner

(**) Term: **15 Years**

Primary Examiner — Derrick E Holland

(74) Attorney, Agent, or Firm — McGarry Bair PC

(21) Appl. No.: **29/611,827**

(57) **CLAIM**

The ornamental design for an air turbine starter housing, as shown and described.

(22) Filed: **Jul. 26, 2017**

(51) **LOC (12) Cl.** **13-01**

(52) **U.S. Cl.**
USPC **D13/113**

DESCRIPTION

(58) **Field of Classification Search**

USPC D13/110, 112, 113, 114, 118, 119, 122, D13/184, 199; D15/1, 5, 199
CPC F02C 7/26; F02C 7/277; F01D 5/06; F01D 9/041; F05D 2220/32; F05D 2240/60; F05D 2260/85; F05D 2260/4031; F02N 7/00; F02N 7/08; H02K 7/1025; H02K 7/20918; H02K 5/06; H02K 5/225

See application file for complete search history.

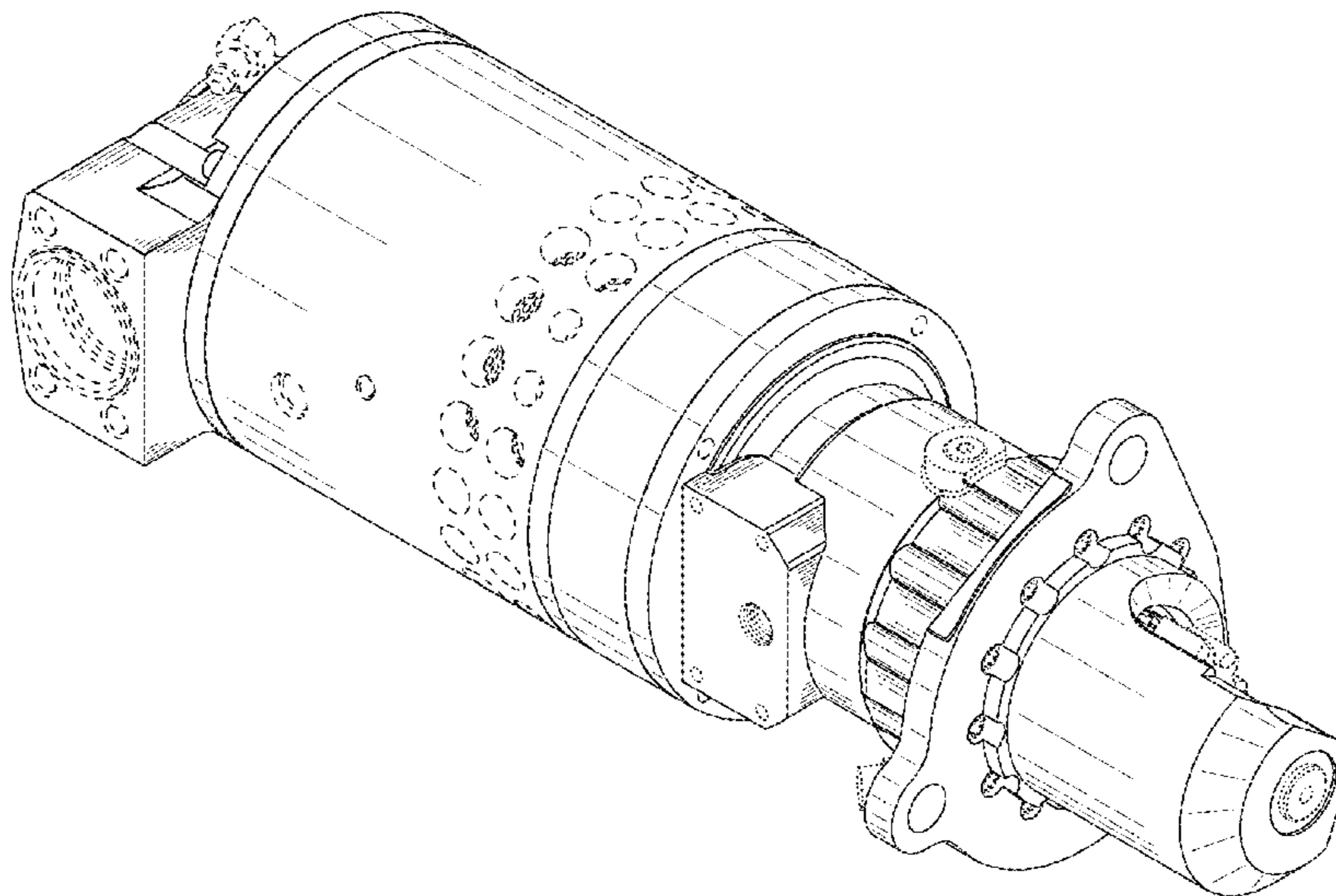
FIG. 1 is a front perspective view of an air turbine starter housing;
FIG. 2 is a back perspective view of the air turbine starter housing of FIG. 1;
FIG. 3 is a front view of the air turbine starter housing of FIG. 1;
FIG. 4 is a back view of the air turbine starter housing of FIG. 1;
FIG. 5 is a top view of the air turbine starter housing of FIG. 1;
FIG. 6 is a bottom view of the air turbine starter housing of FIG. 1;
FIG. 7 is a right side view of the air turbine starter housing of FIG. 1; and,
FIG. 8 is a left side view of the air turbine starter housing of FIG. 1.
Portions of the air turbine starter housing shown in broken lines form no part of the claimed design.

(56) **References Cited**

U.S. PATENT DOCUMENTS

D137,172 S * 2/1944 Bluemink D13/112
4,509,896 A 4/1985 Linsker
4,518,310 A 5/1985 Coons
D297,426 S * 8/1988 Mabuchi D13/112
4,960,085 A 10/1990 Coons
5,267,539 A * 12/1993 Becker F02N 7/08
123/179.31

1 Claim, 8 Drawing Sheets



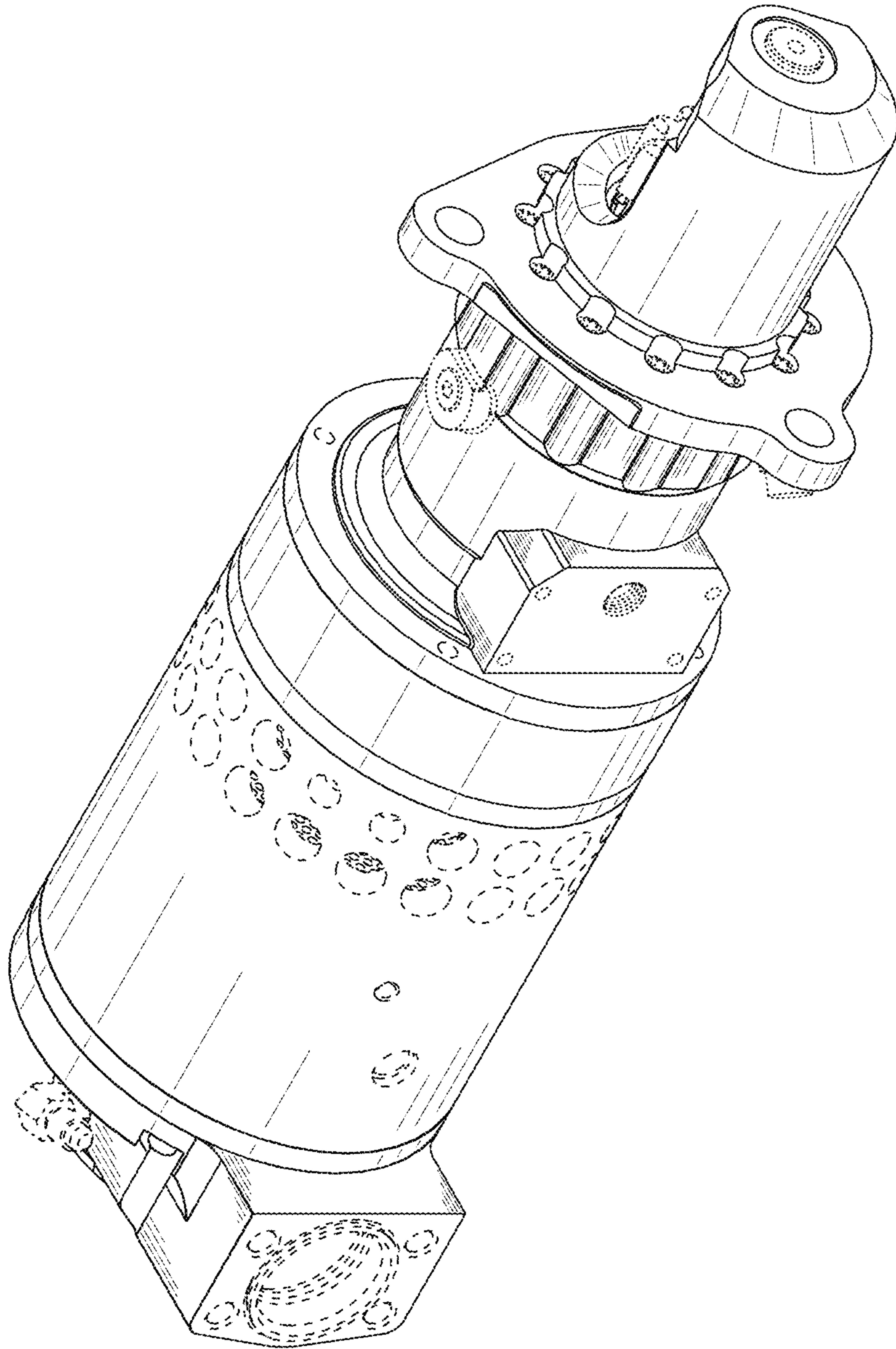


FIG. 1

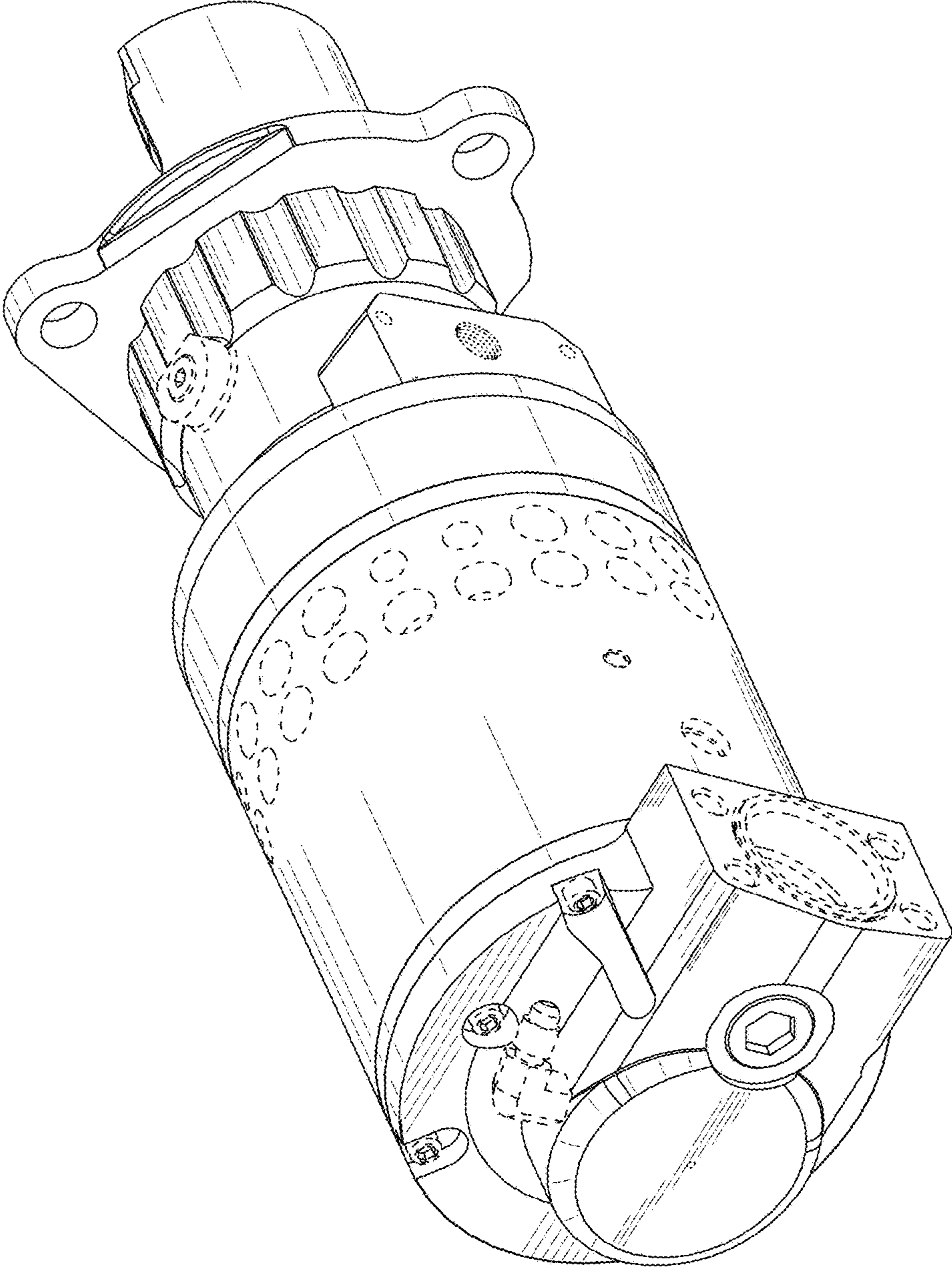


FIG. 2

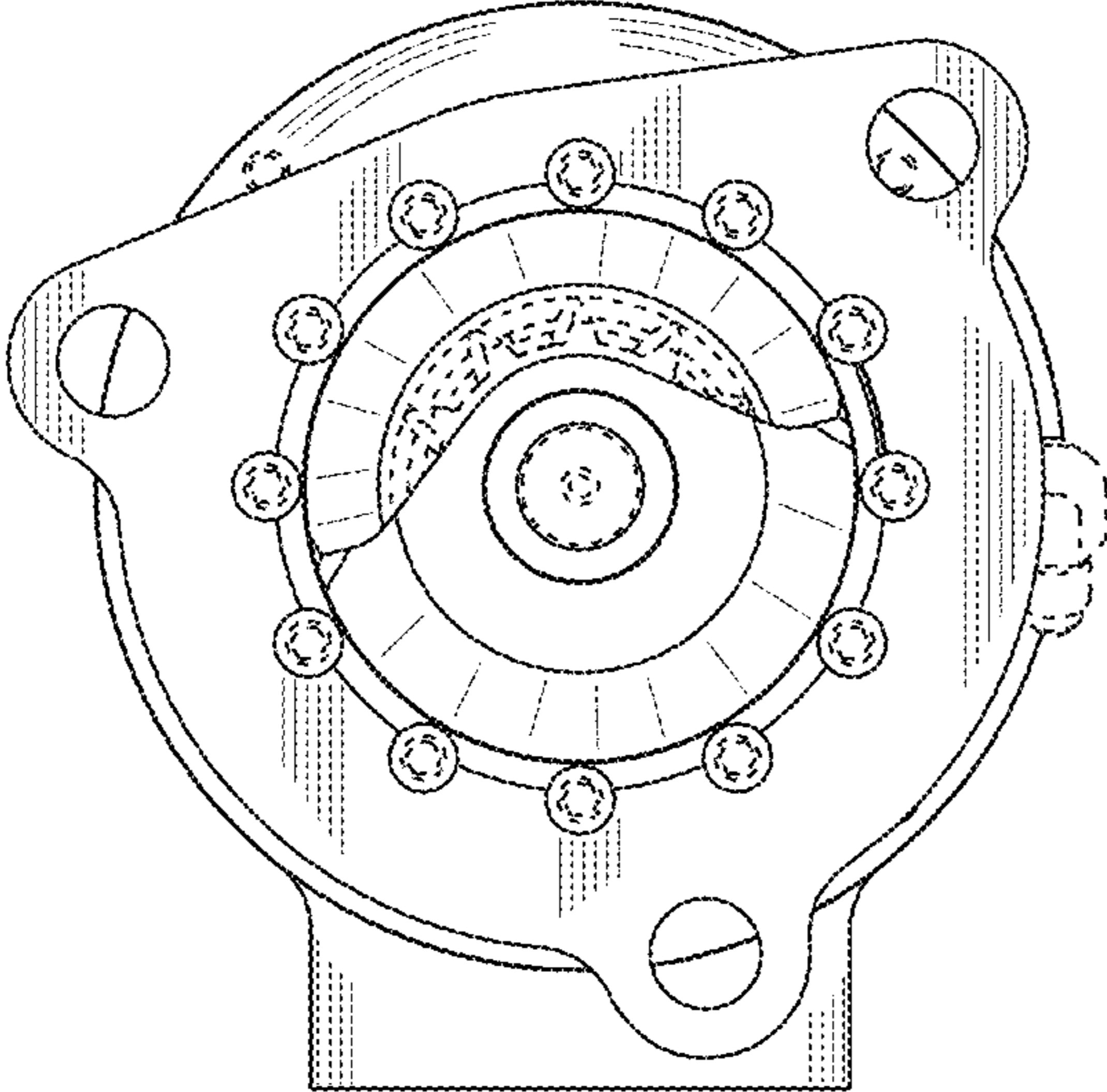


FIG. 3

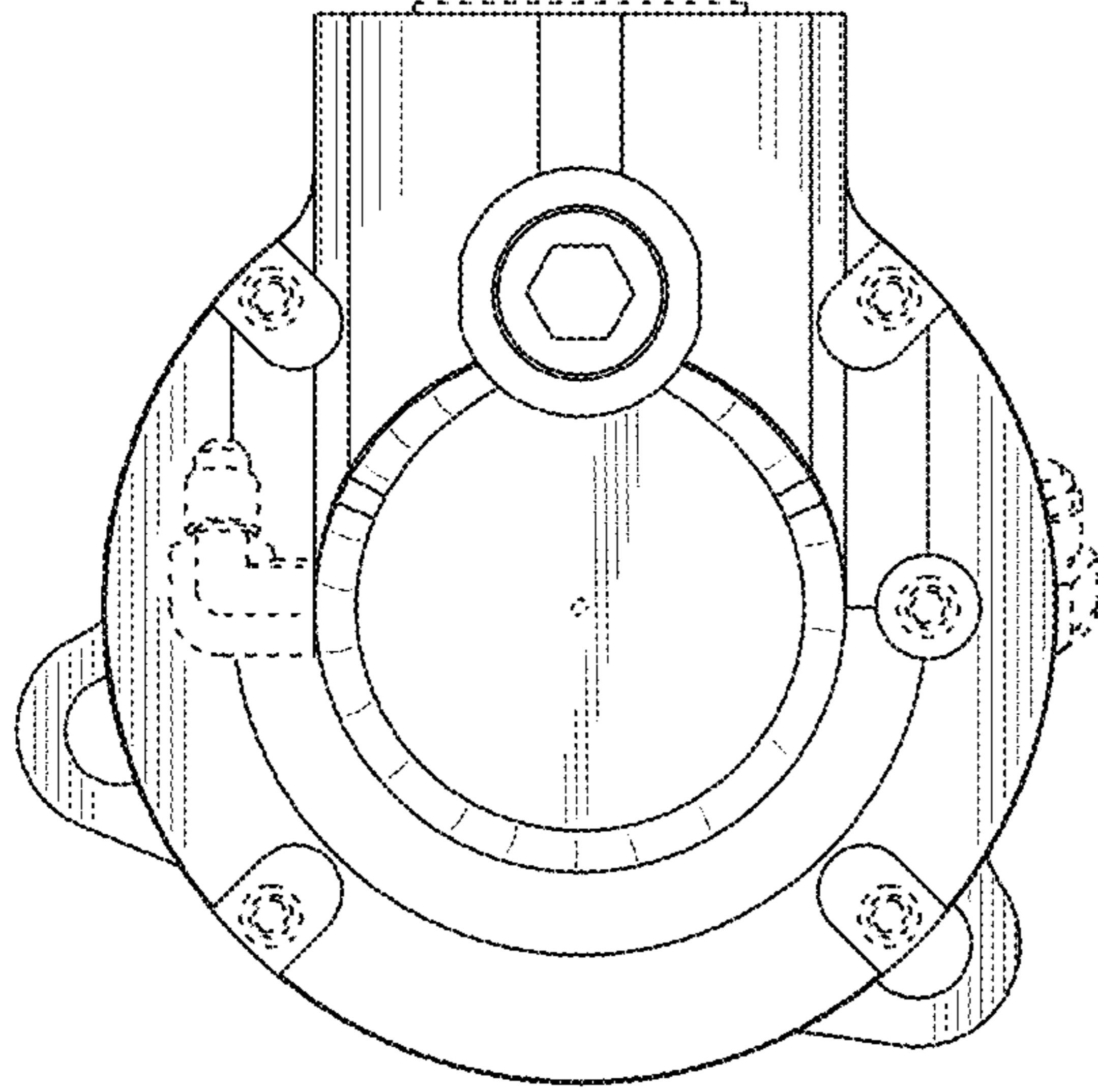


FIG. 4

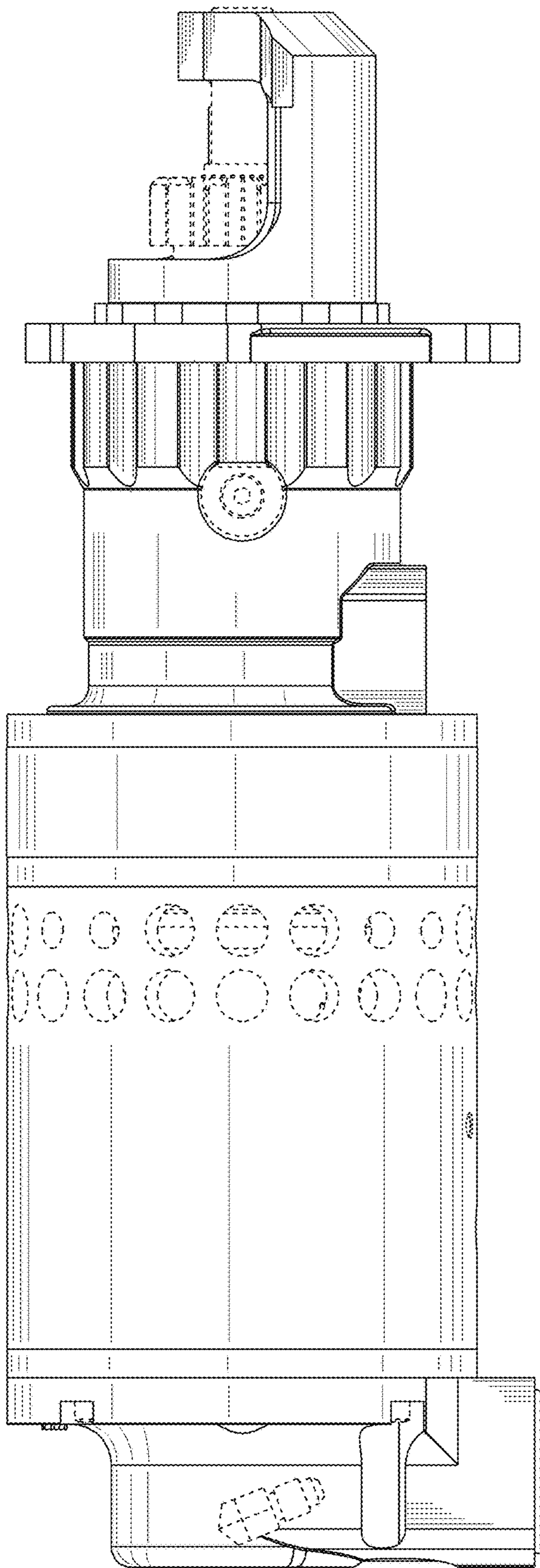


FIG. 5

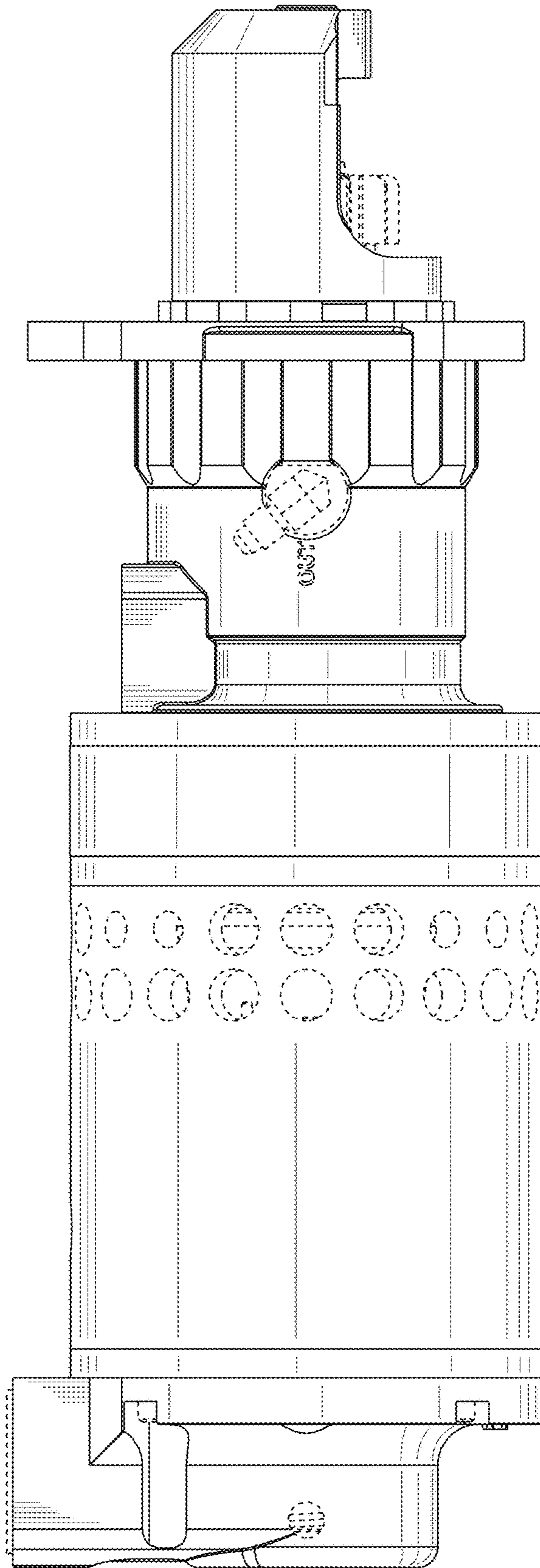


FIG. 6

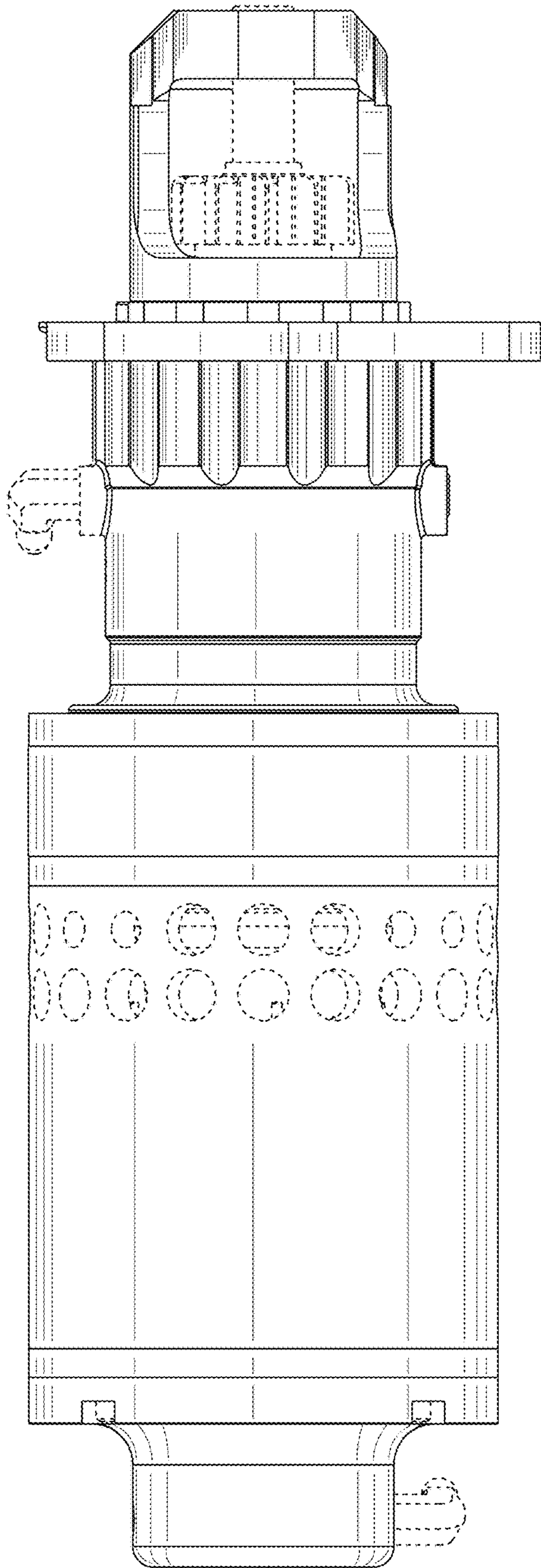


FIG. 7

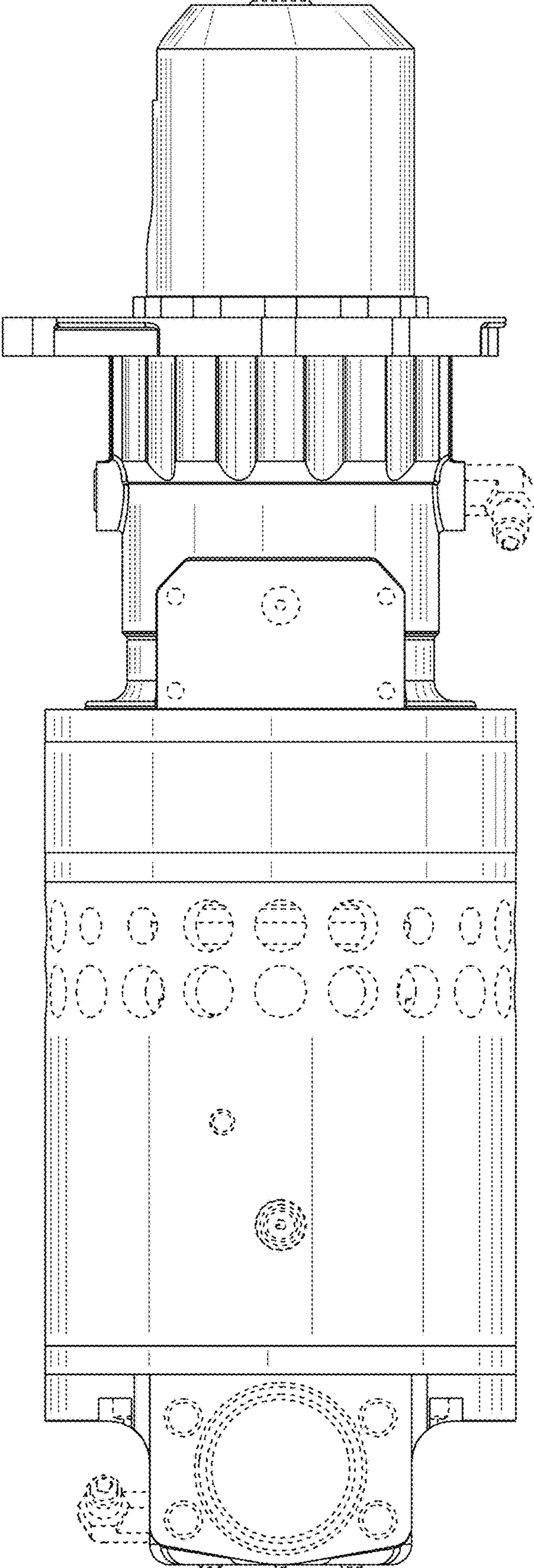


FIG. 8