

US00D860132S

(12) **United States Design Patent** (10) **Patent No.:** **US D860,132 S**  
**Fu** (45) **Date of Patent:** **\*\* Sep. 17, 2019**

(54) **WIRELESS CHARGER**

(71) Applicant: **Xigen Fu, Jiangxi (CN)**

(72) Inventor: **Xigen Fu, Jiangxi (CN)**

(\*\*) Term: **15 Years**

(21) Appl. No.: **29/629,902**

(22) Filed: **Dec. 18, 2017**

(51) **LOC (12) Cl.** ..... **13-02**

(52) **U.S. Cl.**  
USPC ..... **D13/108**

(58) **Field of Classification Search**  
USPC ..... D13/107-110, 118-119, 184; D14/251,  
D14/253, 432, 434  
CPC ..... Y02E 60/12; Y02T 90/14; Y02T 90/122;  
Y02T 90/128; Y02T 90/163; H02J 7/025;  
H02J 7/0042; H02J 7/0044; H02J 7/0045;  
H02J 7/0003; H01F 38/14; H01R  
13/6675; H01M 2/1022; H01M 2/1055;  
H01M 10/44; H01M 10/46; H01M  
10/425; B60L 11/182

See application file for complete search history.

(56) **References Cited**

**U.S. PATENT DOCUMENTS**

D316,347 S \* 4/1991 Getto ..... D18/48  
D722,958 S \* 2/2015 Kotaniemi ..... D13/108  
D736,703 S \* 8/2015 Kotaniemi ..... D13/108

D761,729 S \* 7/2016 Leong ..... D13/108  
D778,829 S \* 2/2017 Marmus ..... D13/108  
9,917,455 B1 \* 3/2018 Shipman ..... H02J 7/0044  
D818,432 S \* 5/2018 Zhu ..... D13/108  
D821,120 S \* 6/2018 Chang ..... D6/675.4  
D823,792 S \* 7/2018 Komoni ..... D13/107  
D823,796 S \* 7/2018 Zhang ..... D13/108

\* cited by examiner

*Primary Examiner* — Rosemary K Tarcza

*Assistant Examiner* — Nathaniel D. Buckner

(74) *Attorney, Agent, or Firm* — Justin Lampel

(57) **CLAIM**

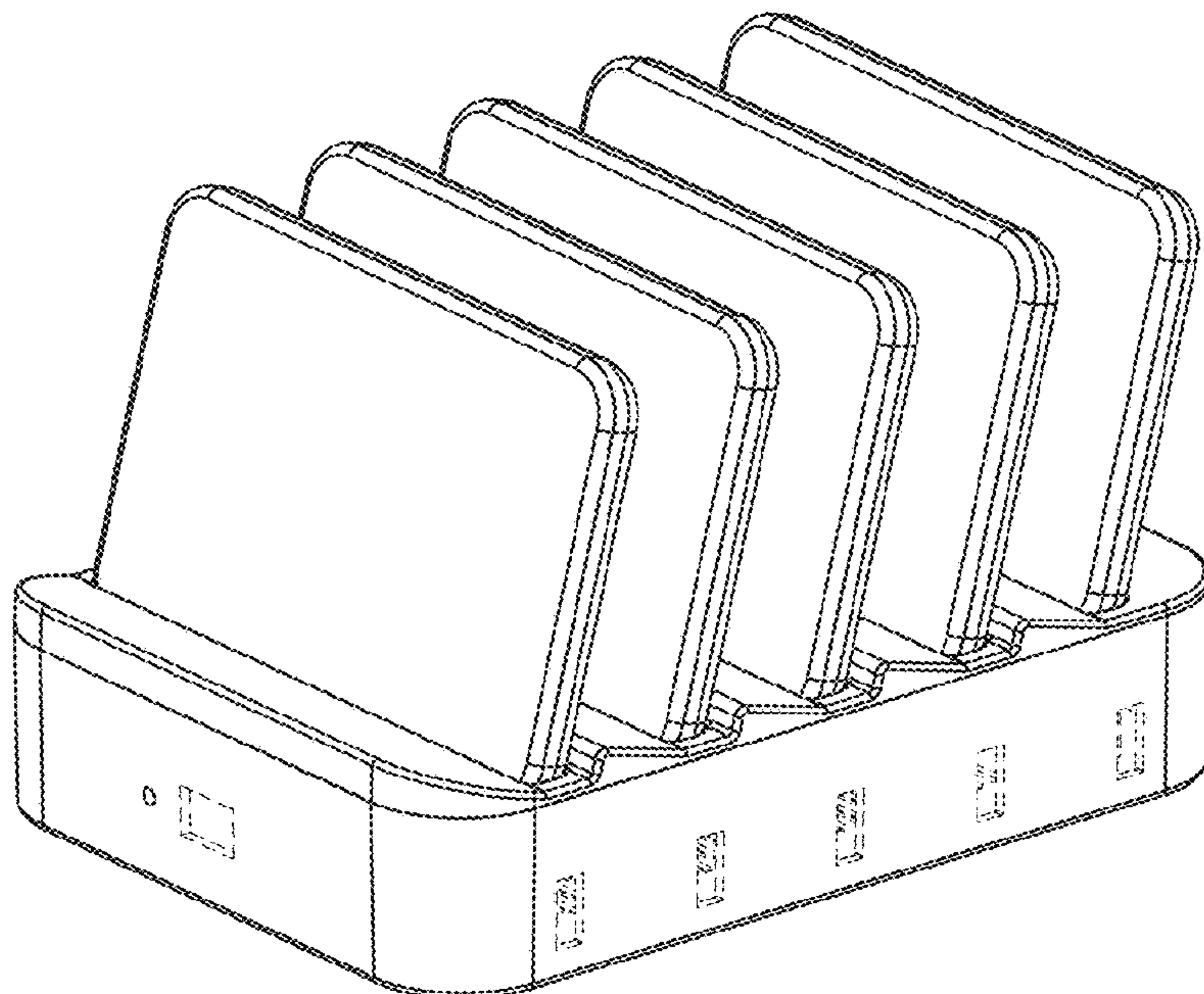
The ornamental design for a wireless charger, as shown and described.

**DESCRIPTION**

FIG. 1 is a perspective view of a wireless charger showing my new design;  
FIG. 2 is a bottom perspective view thereof;  
FIG. 3 is a front view thereof;  
FIG. 4 is a rear view thereof;  
FIG. 5 is a left side view thereof;  
FIG. 6 is a right side view thereof;  
FIG. 7 is a bottom view thereof; and,  
FIG. 8 is a top view thereof.

The broken lines in the drawings are for the purpose of illustrating unclaimed portions of the battery charger and form no part of the claimed design.

**1 Claim, 8 Drawing Sheets**



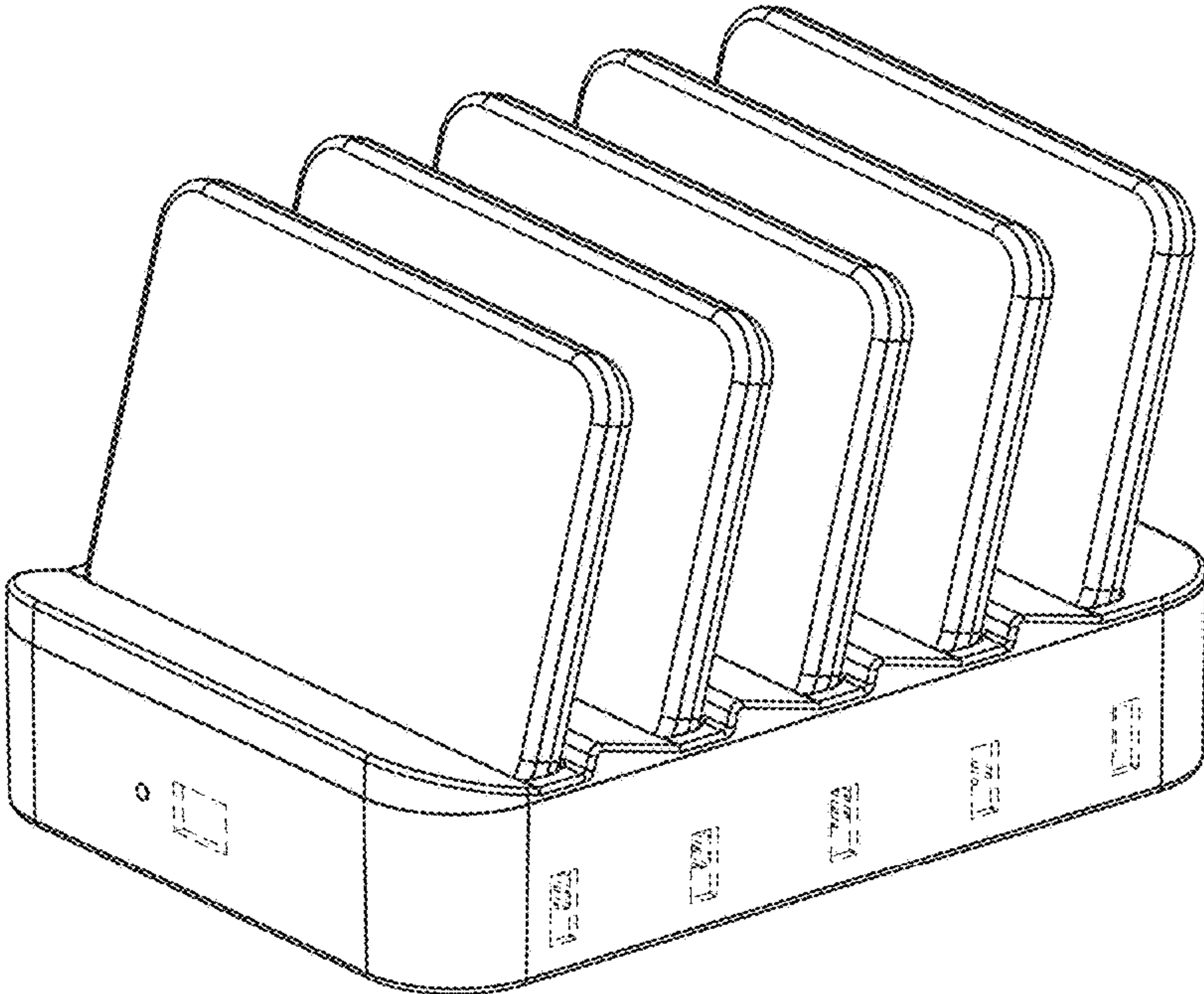


FIG. 1

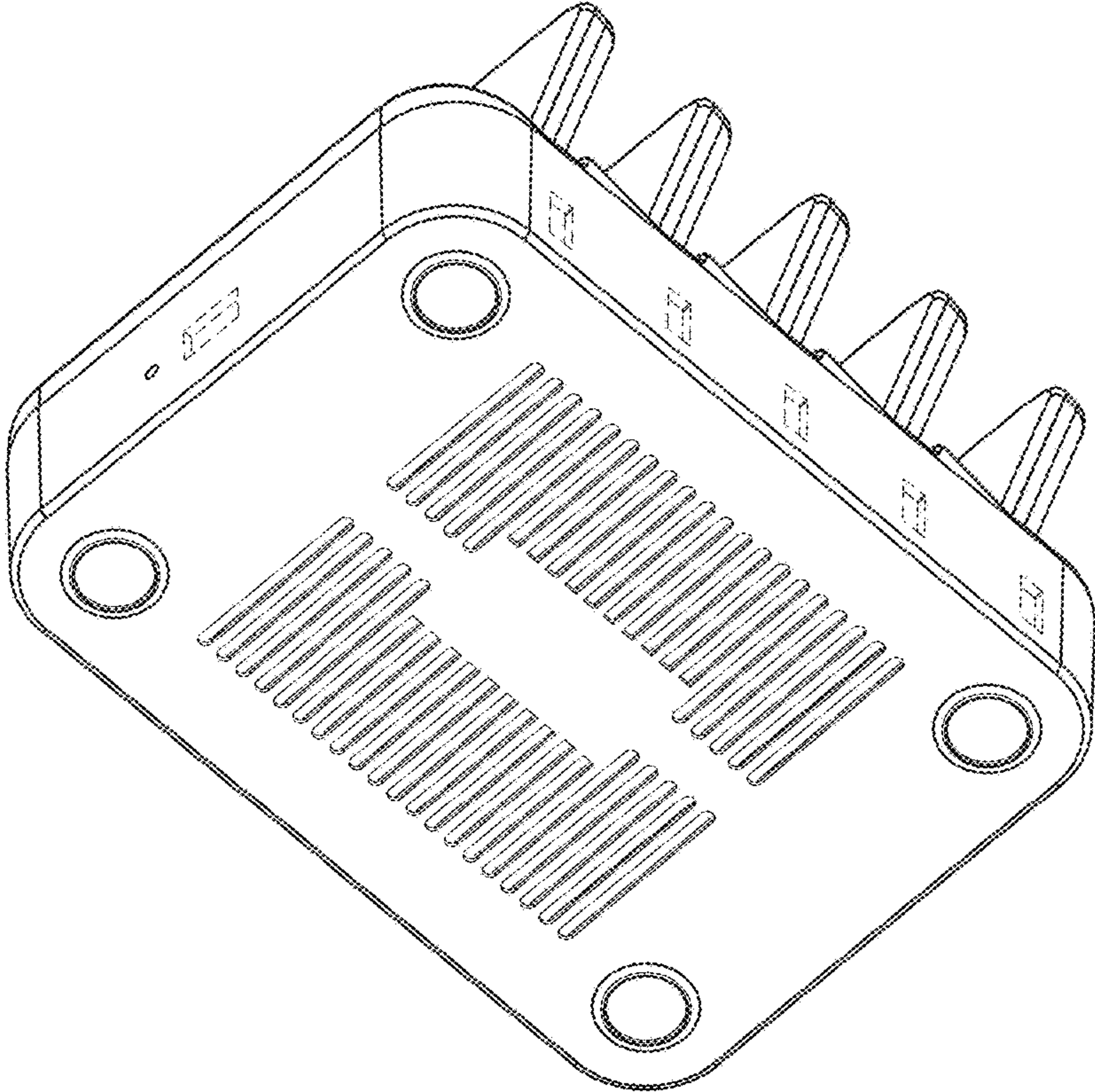


FIG. 2

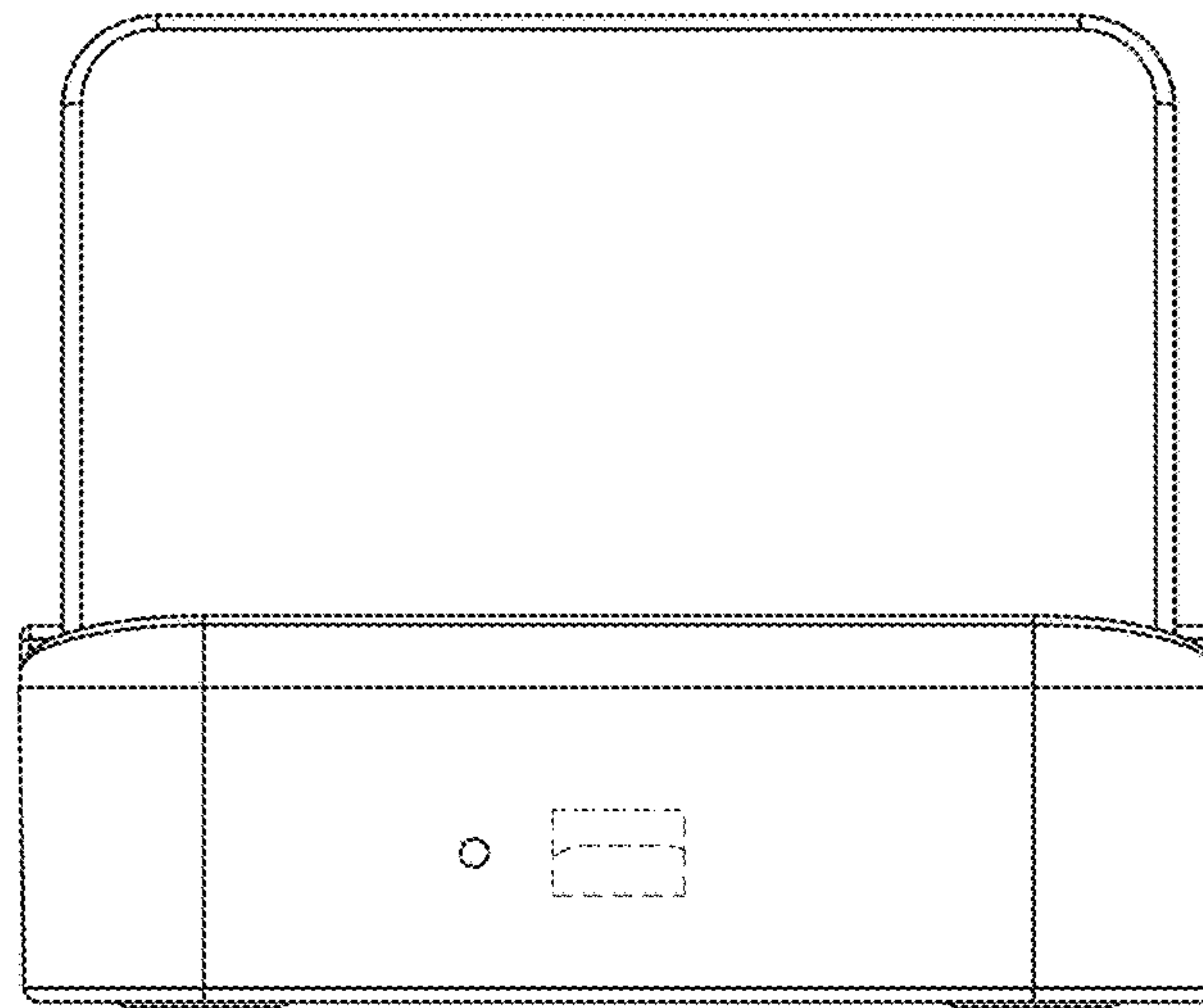


FIG. 3

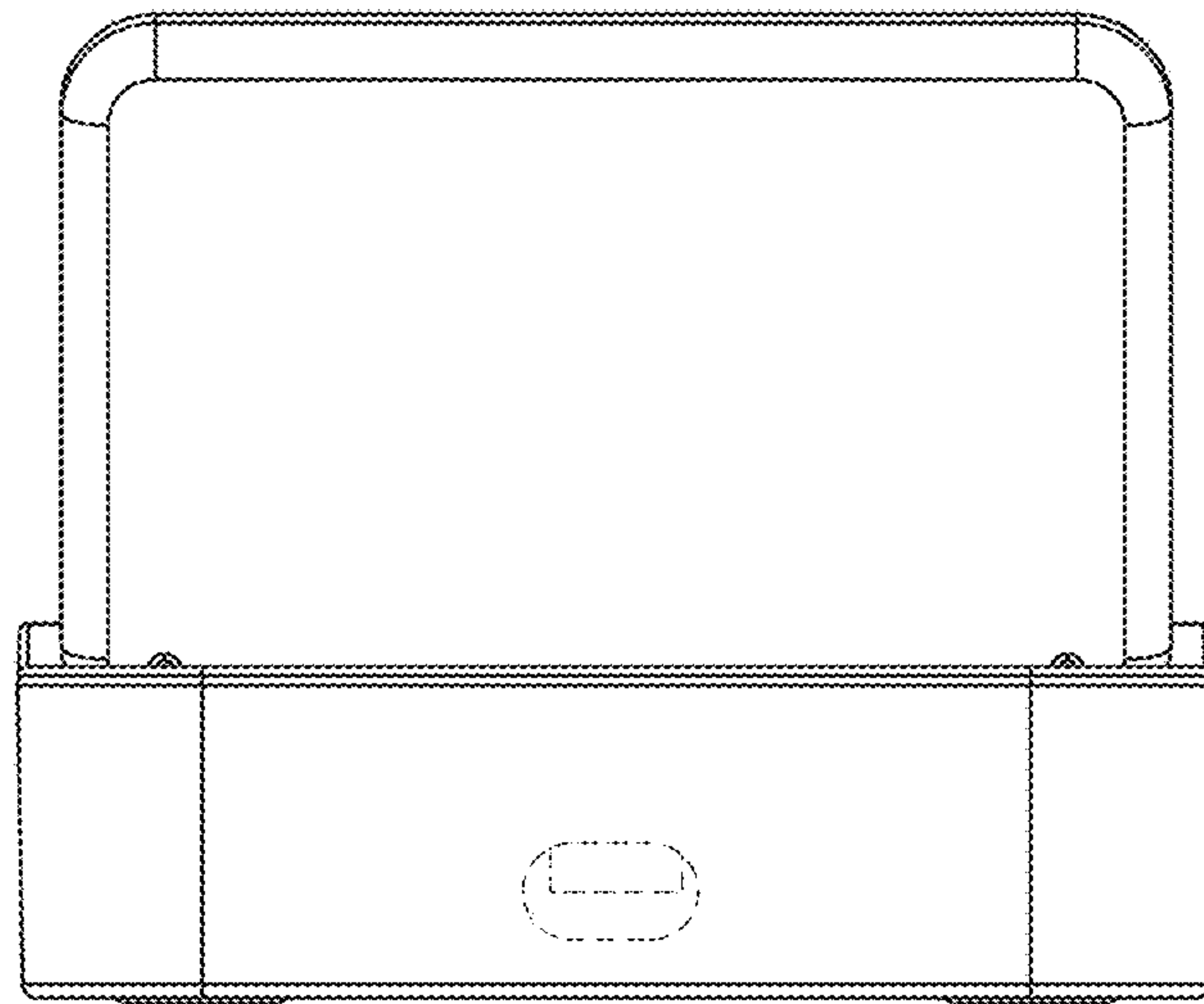


FIG. 4



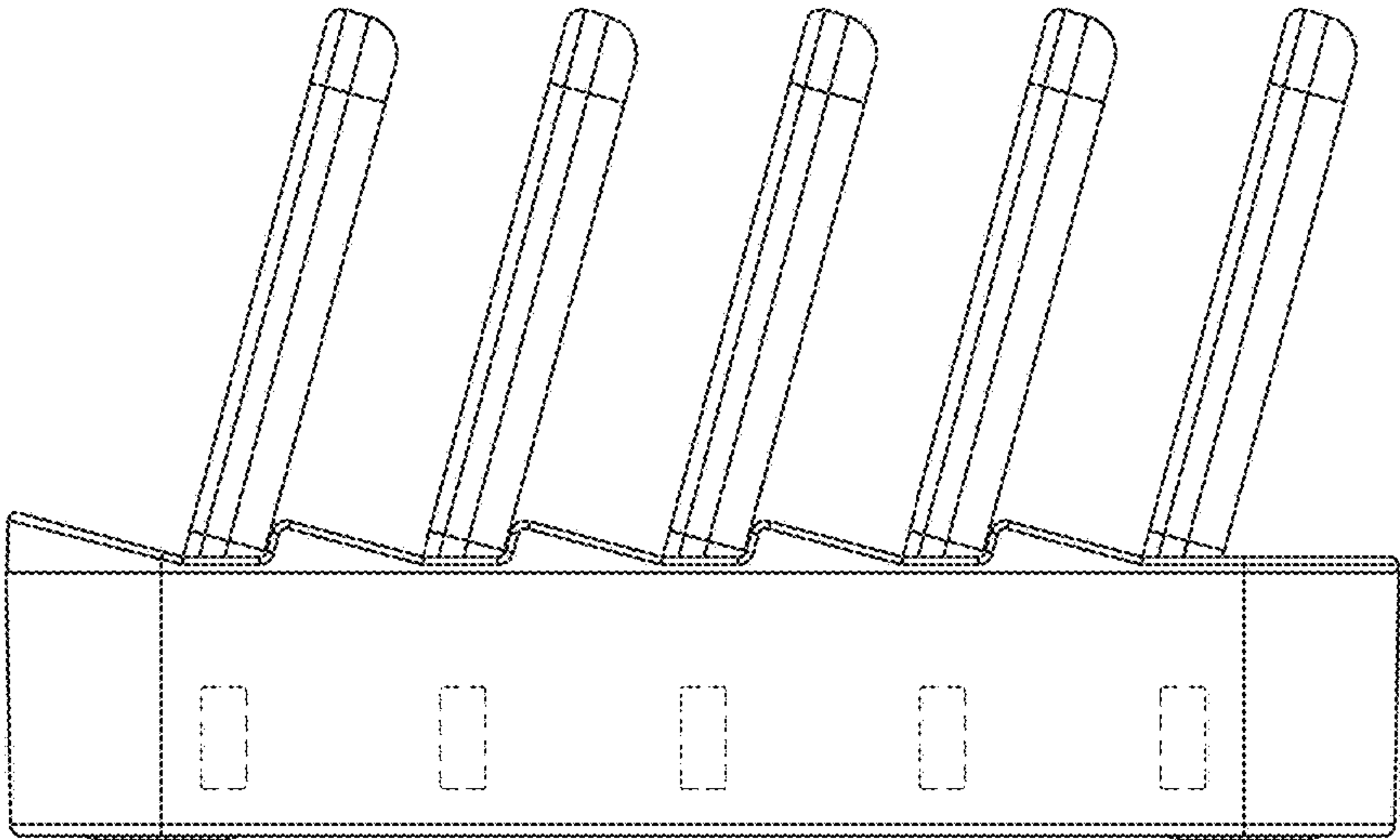


FIG. 5

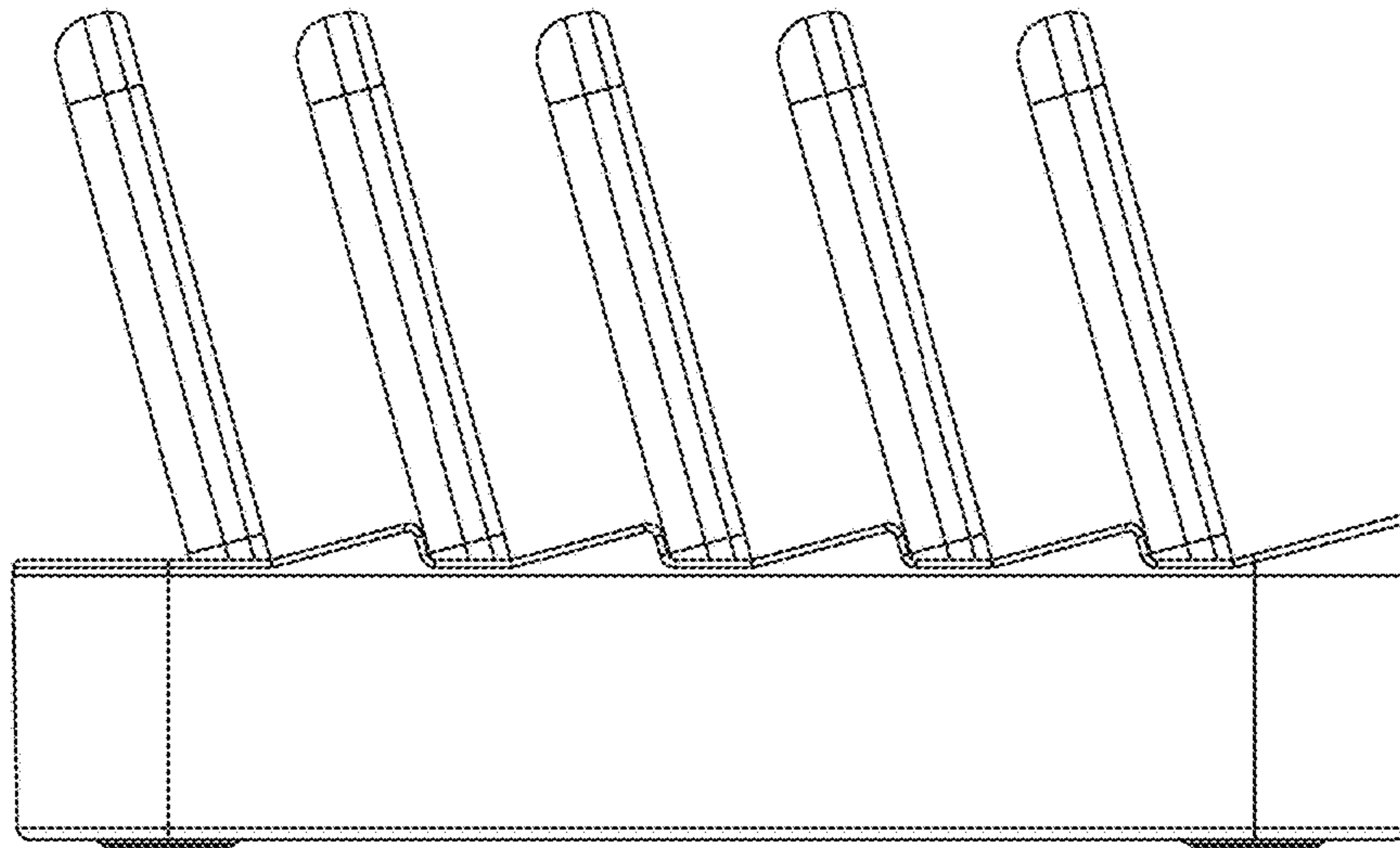


FIG. 6

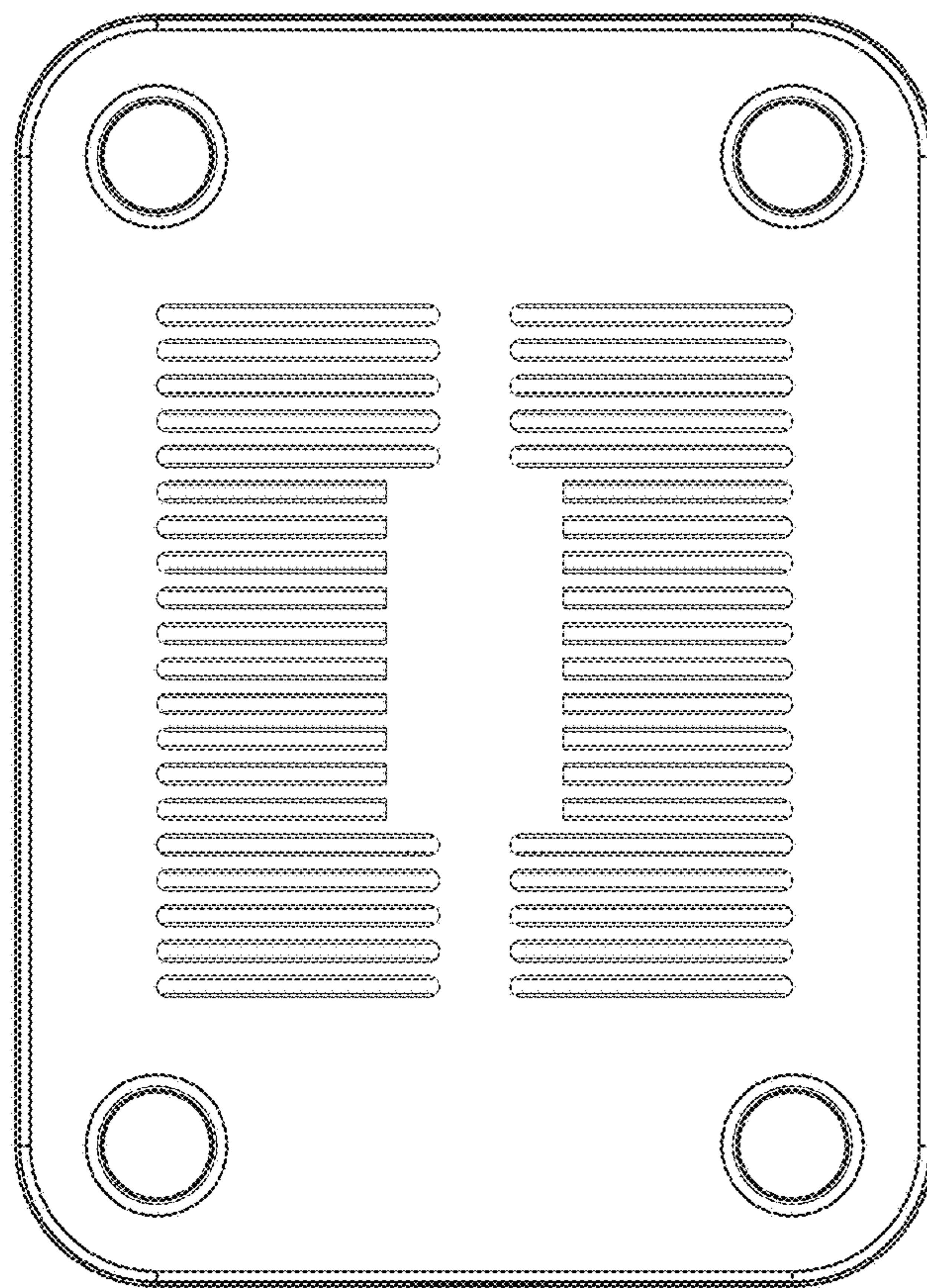


FIG. 7



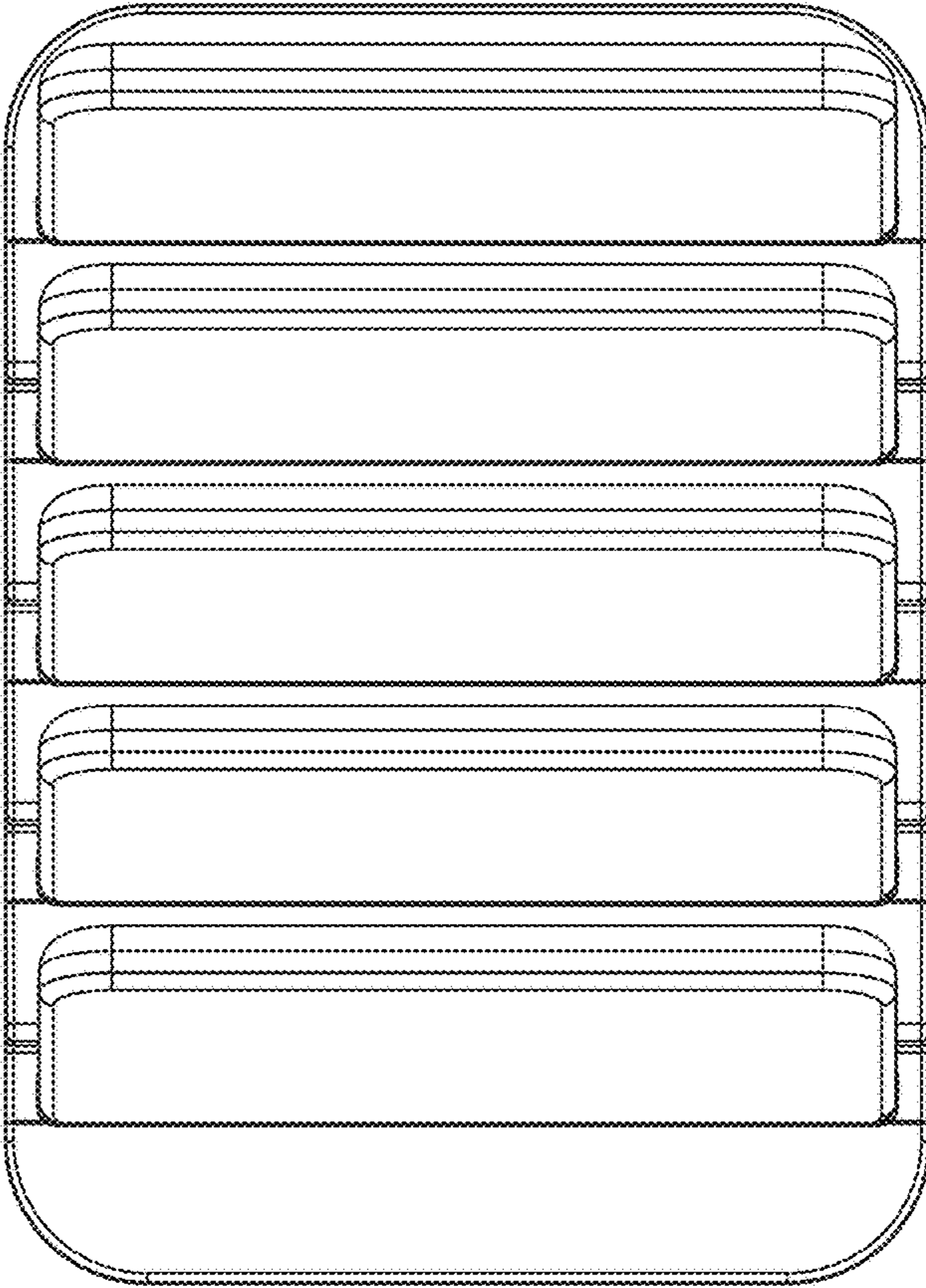


FIG. 8