

US00D860124S

(12) **United States Design Patent**
Kang et al.

(10) **Patent No.:** **US D860,124 S**

(45) **Date of Patent:** **** Sep. 17, 2019**

(54) **CENTER CONSOLE FOR AUTOMOBILE**

(71) Applicant: **LG ELECTRONICS INC.**, Seoul (KR)

(72) Inventors: **Seungmo Kang**, Seoul (KR); **Hansoo Kim**, Seoul (KR); **Seunghwan Song**, Seoul (KR)

(73) Assignee: **LG ELECTRONICS INC.**, Seoul (KR)

(**) Term: **15 Years**

(21) Appl. No.: **35/505,470**

(22) Filed: **Feb. 9, 2018**

(80) **Hague Agreement Data**

Int. Filing Date: **Feb. 9, 2018**
Int. Reg. No.: **DM/100424**
Int. Reg. Date: **Feb. 9, 2018**
Int. Reg. Pub. Date: **Aug. 10, 2018**

(30) **Foreign Application Priority Data**

Aug. 11, 2017 (KR) 30-2017-0037576

(51) **LOC (12) Cl.** **12-16**

(52) **U.S. Cl.**
USPC **D12/415**

(58) **Field of Classification Search**
USPC D12/192, 415; D14/218; D18/4.4;
D7/566, 582, 562, 554.2
CPC H04W 52/0254
See application file for complete search history.

(56) **References Cited**

U.S. PATENT DOCUMENTS

D154,216 S * 6/1949 Reifsnnyder D7/562
D187,156 S * 2/1960 Masuda D7/585
D525,832 S * 8/2006 Hayes D7/554.2

D575,711 S * 8/2008 Johannsen D12/192
D575,712 S * 8/2008 Johannsen D12/192
D577,963 S * 10/2008 Eide D7/585
D595,542 S * 7/2009 Dewey D7/566
D602,841 S * 10/2009 Wilhelm D12/415
D681,608 S * 5/2013 Takami D14/218
D702,504 S * 4/2014 Tibbets D7/566
D729,774 S * 5/2015 Uchiyama D14/218
D739,337 S * 9/2015 Persson D12/415
D775,607 S * 1/2017 Uchiyama D14/218
D776,640 S * 1/2017 Simonian D14/218
9,555,594 B2 * 1/2017 Littlejohn A47G 19/03
D809,589 S * 2/2018 Chatterton H04W 52/0254
D18/4.4
D817,103 S * 5/2018 Clarichetti D7/585
D825,435 S * 8/2018 Yu D12/415

* cited by examiner

Primary Examiner — George D. Kirschbaum

(74) *Attorney, Agent, or Firm* — Birch, Stewart, Kolasch & Birch, LLP

(57) **CLAIM**

The ornamental design for a center console for automobile, as shown and described.

DESCRIPTION

1. Center console for automobile

1.1 : Perspective

1.2 : Front

1.3 : Back

1.4 : Left

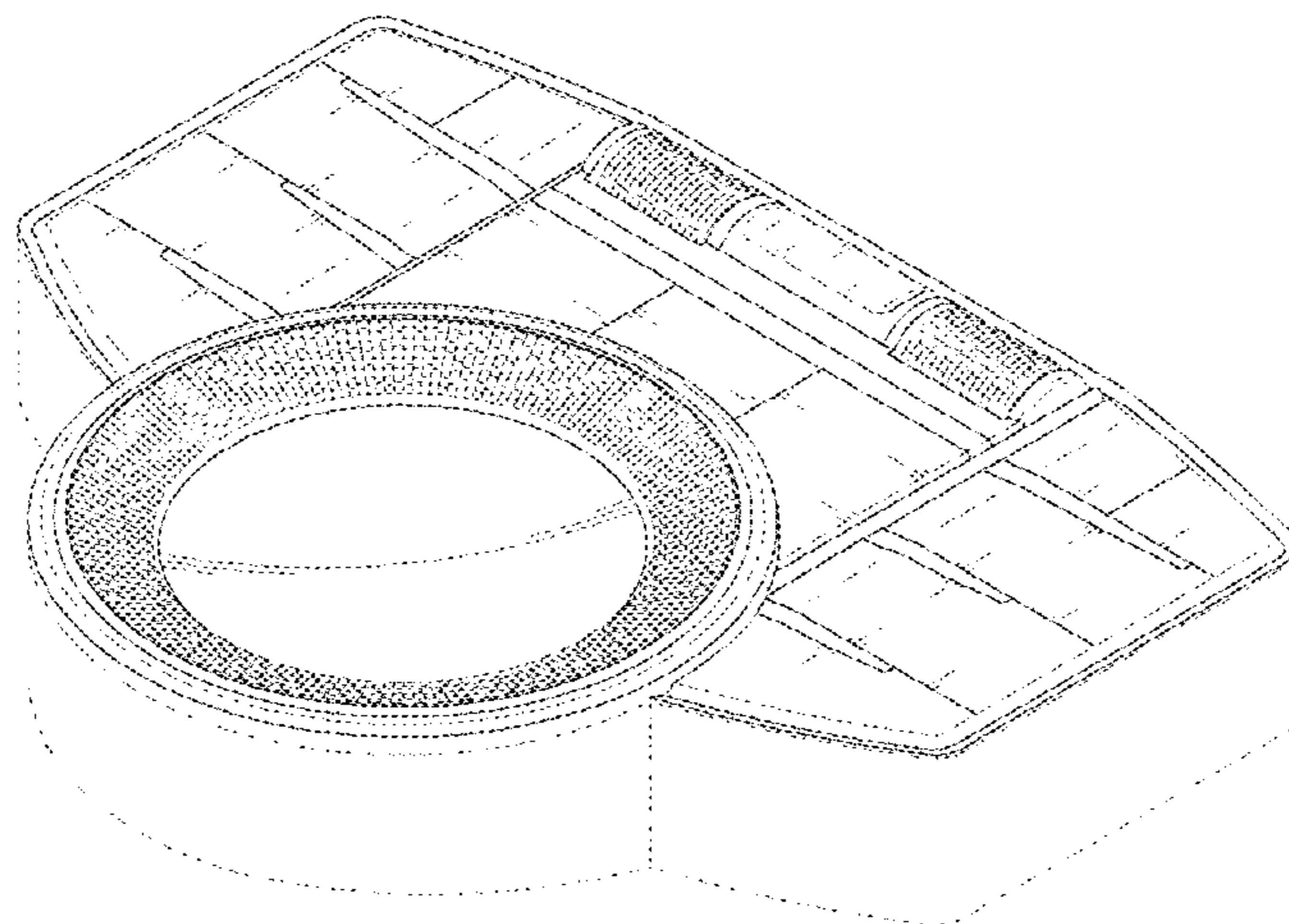
1.5 : Top

1.6 : Bottom

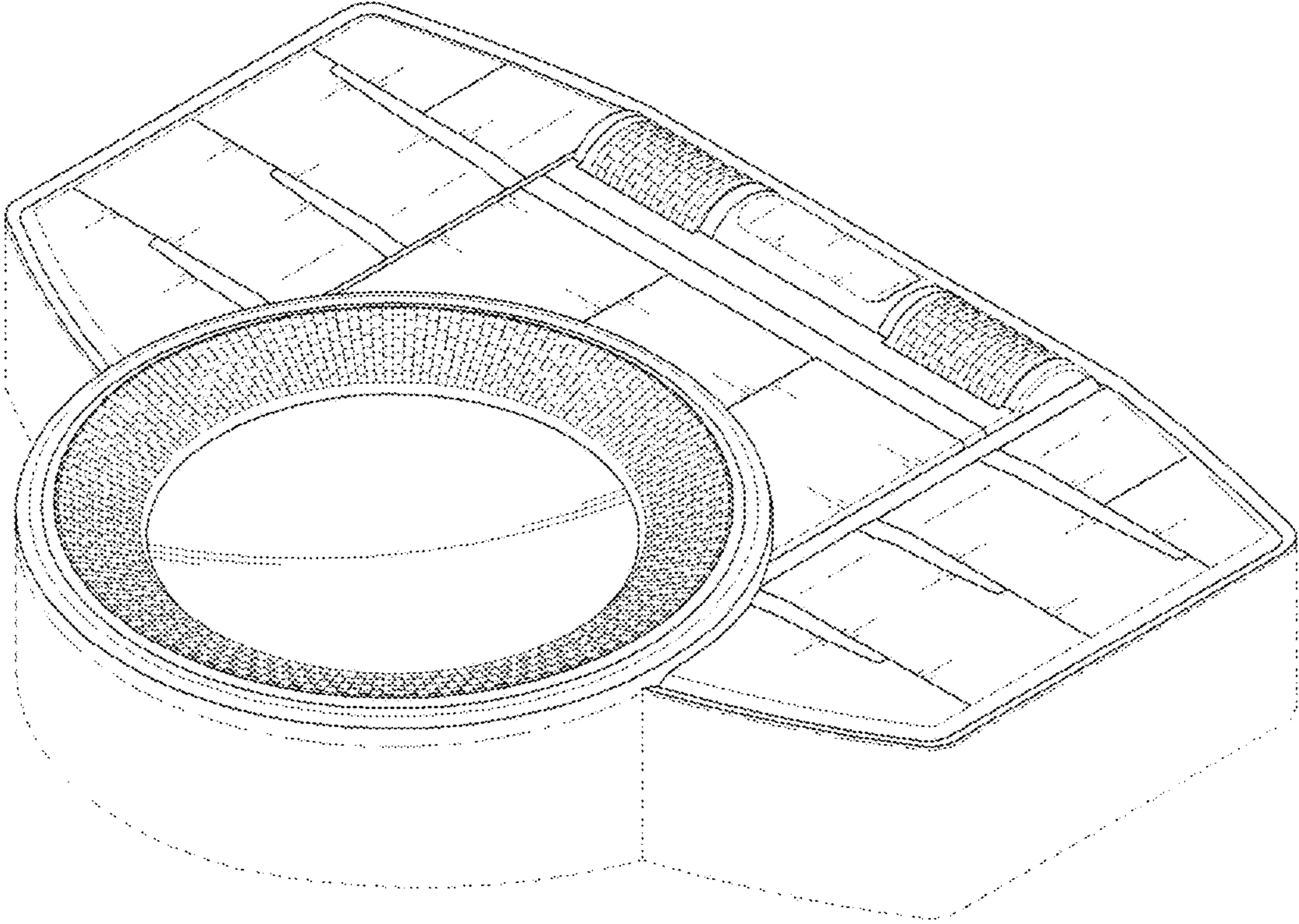
1.7 : Reference photo

The broken lines depict portions of the center console for automobile that form no part of the claimed design. The dash-dot broken lines define the boundary of the claimed design and form no part thereof. Fig. 1.7 shows the claimed design in use. The material surrounding the claimed design, as disclosed in figures 1.1-1.6, depicts unclaimed environmental subject matter.

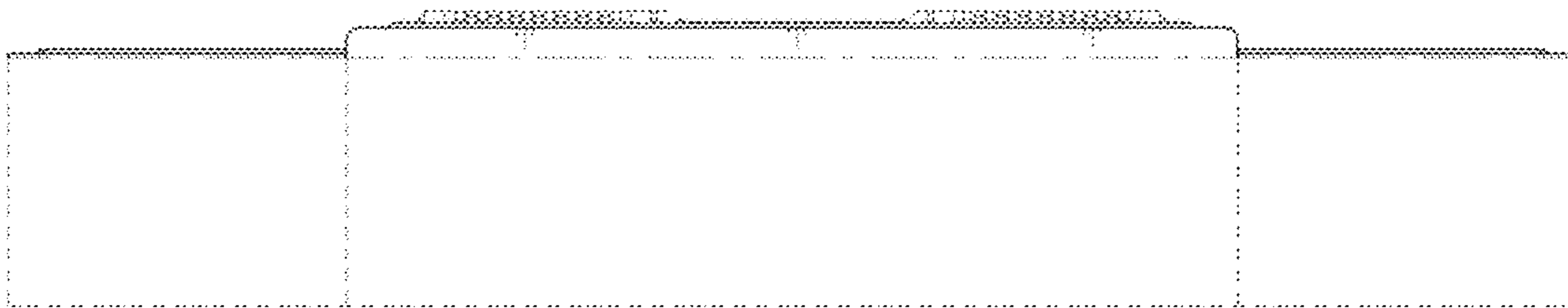
1 Claim, 7 Drawing Sheets



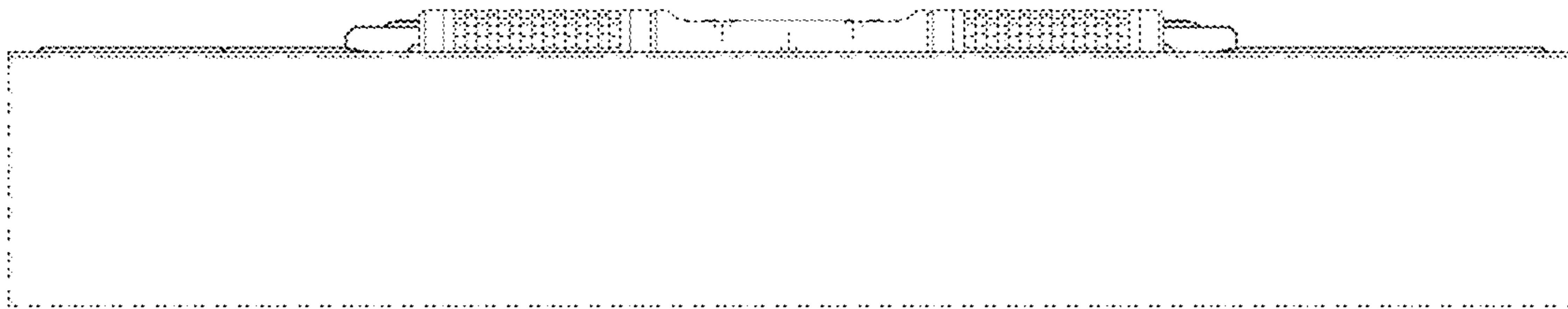
1.1



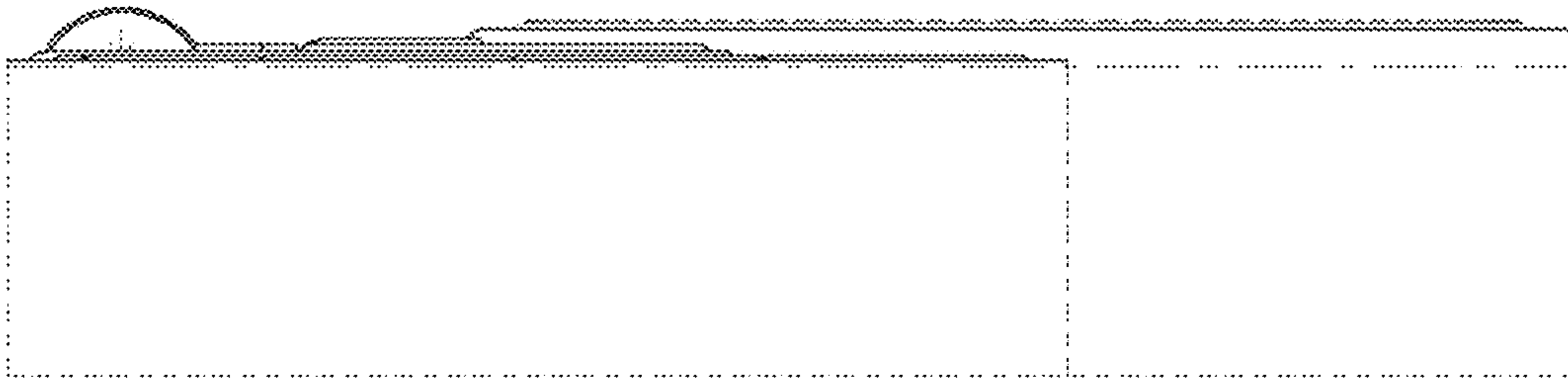
1.2



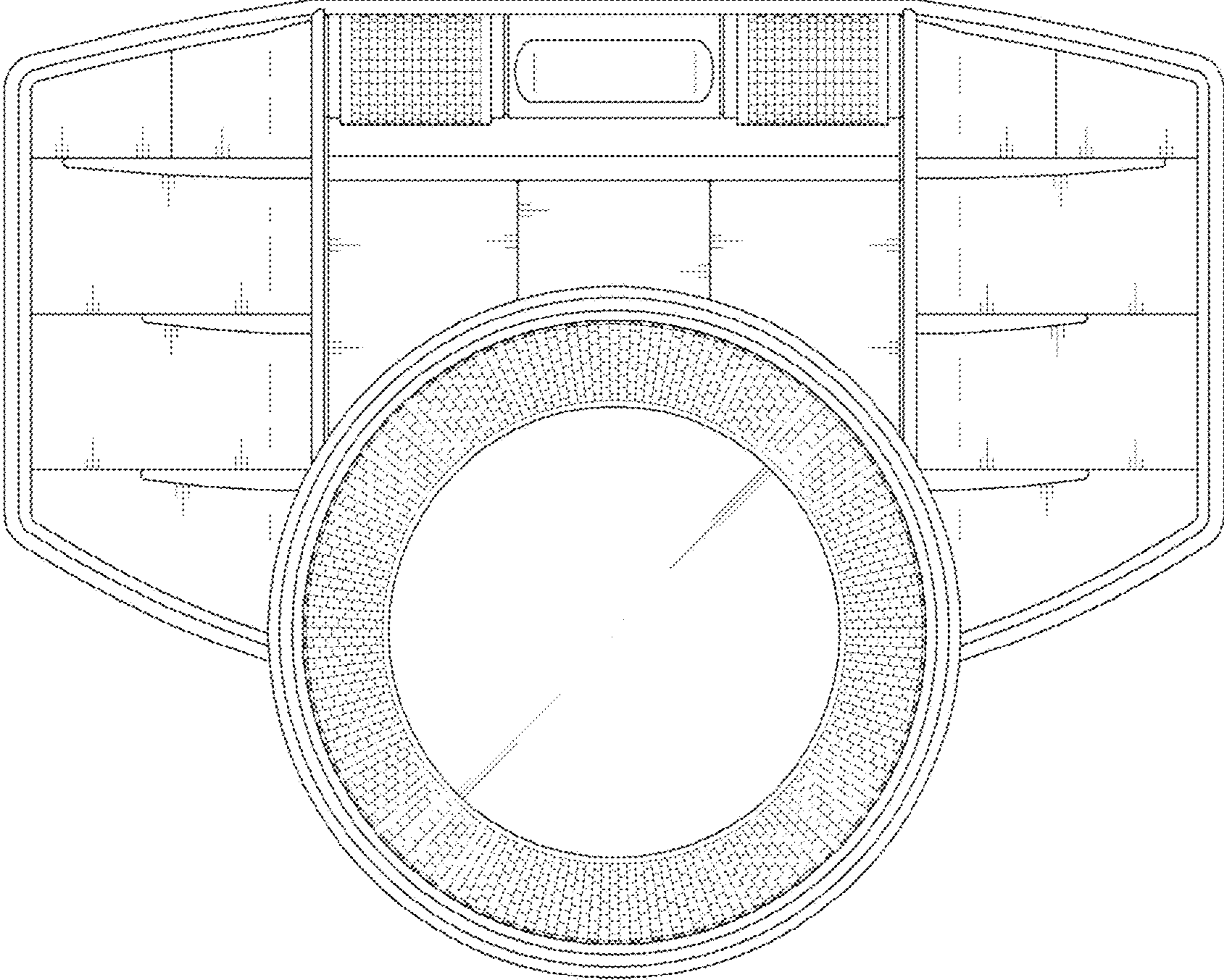
1.3



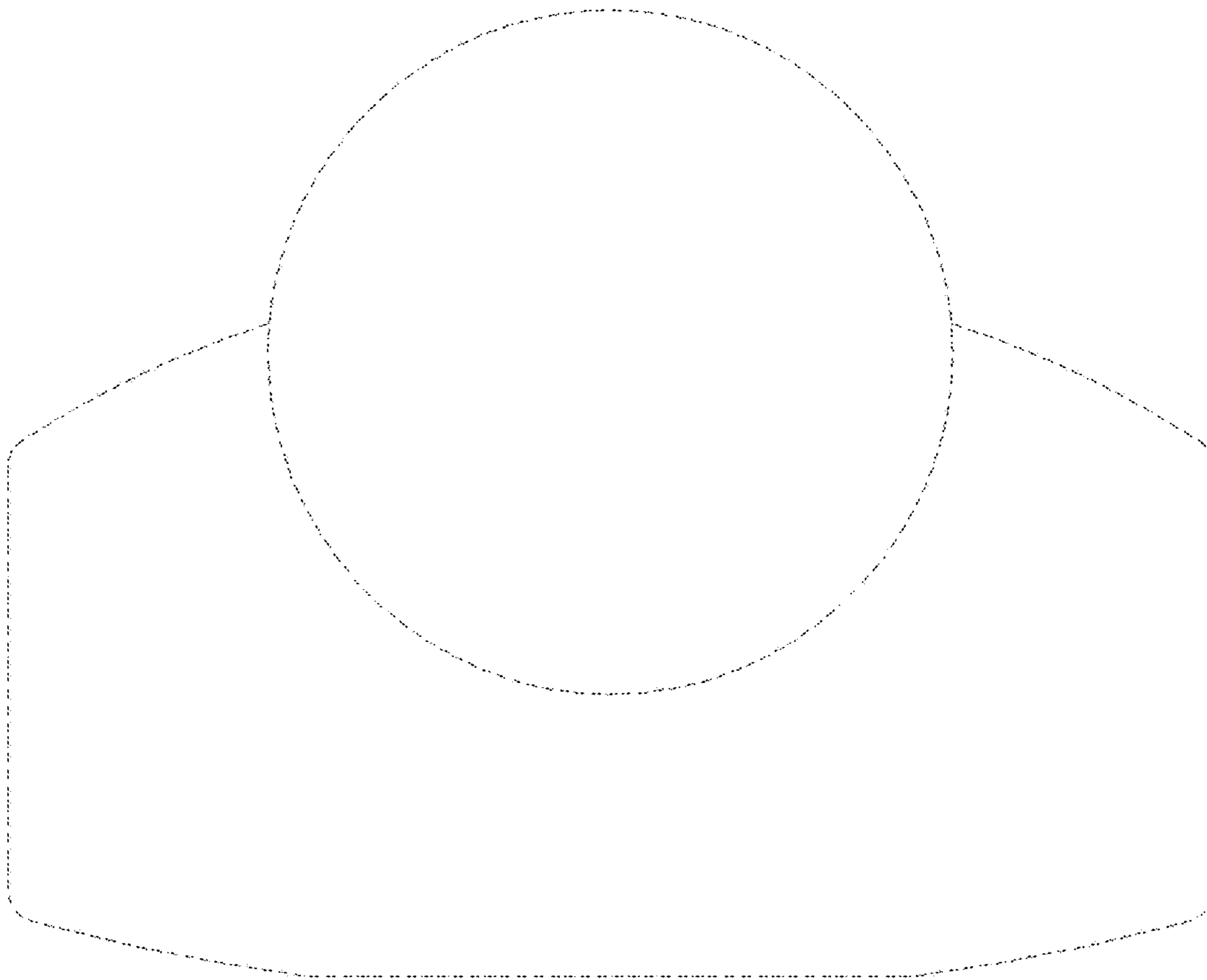
1.4



1.5



1.6



1.7

