



US00D860123S

(12) **United States Design Patent** (10) **Patent No.:** **US D860,123 S**  
**Kang et al.** (45) **Date of Patent:** **\*\* Sep. 17, 2019**

(54) **CENTER CONSOLE FOR AUTOMOBILE**

(71) Applicant: **LG ELECTRONICS INC.**, Seoul (KR)

(72) Inventors: **Seungmo Kang**, Seoul (KR); **Hansoo Kim**, Seoul (KR); **Seunghwan Song**, Seoul (KR); **Juneho Song**, Seoul (KR)

(73) Assignee: **LG ELECTRONICS INC.**, Seoul (KR)

(\*\*) Term: **15 Years**

(21) Appl. No.: **35/505,466**

(22) Filed: **Feb. 9, 2018**

(80) **Hague Agreement Data**

Int. Filing Date: **Feb. 9, 2018**  
Int. Reg. No.: **DM/101425**  
Int. Reg. Date: **Feb. 9, 2018**  
Int. Reg. Pub. Date: **Aug. 10, 2018**

(30) **Foreign Application Priority Data**

Aug. 11, 2017 (KR) ..... 30-2017-0037571

(51) **LOC (12) Cl.** ..... **12-16**

(52) **U.S. Cl.**  
USPC ..... **D12/415**

(58) **Field of Classification Search**  
USPC ..... D12/192, 415; D14/218; D18/4.4;  
D7/566, 582, 562, 554.2  
CPC ..... H04W 52/0254  
See application file for complete search history.

(56) **References Cited**

**U.S. PATENT DOCUMENTS**

D154,216 S \* 6/1949 Reifsnyder ..... D7/562  
D187,156 S \* 2/1960 Masuda ..... D7/585  
D525,832 S \* 8/2006 Hayes ..... D7/554.2

D575,711 S \* 8/2008 Johannsen ..... D12/192  
D575,712 S \* 8/2008 Johannsen ..... D12/192  
D577,963 S \* 10/2008 Eide ..... D7/585  
D595,542 S \* 7/2009 Dewey ..... D7/566  
D602,841 S \* 10/2009 Wilhelm ..... D12/415  
D681,608 S \* 5/2013 Takami ..... D14/218  
D702,504 S \* 4/2014 Tibbets ..... D7/566

(Continued)

*Primary Examiner* — George D. Kirschbaum

(74) *Attorney, Agent, or Firm* — Birch, Stewart, Kolasch & Birch, LLP

(57) **CLAIM**

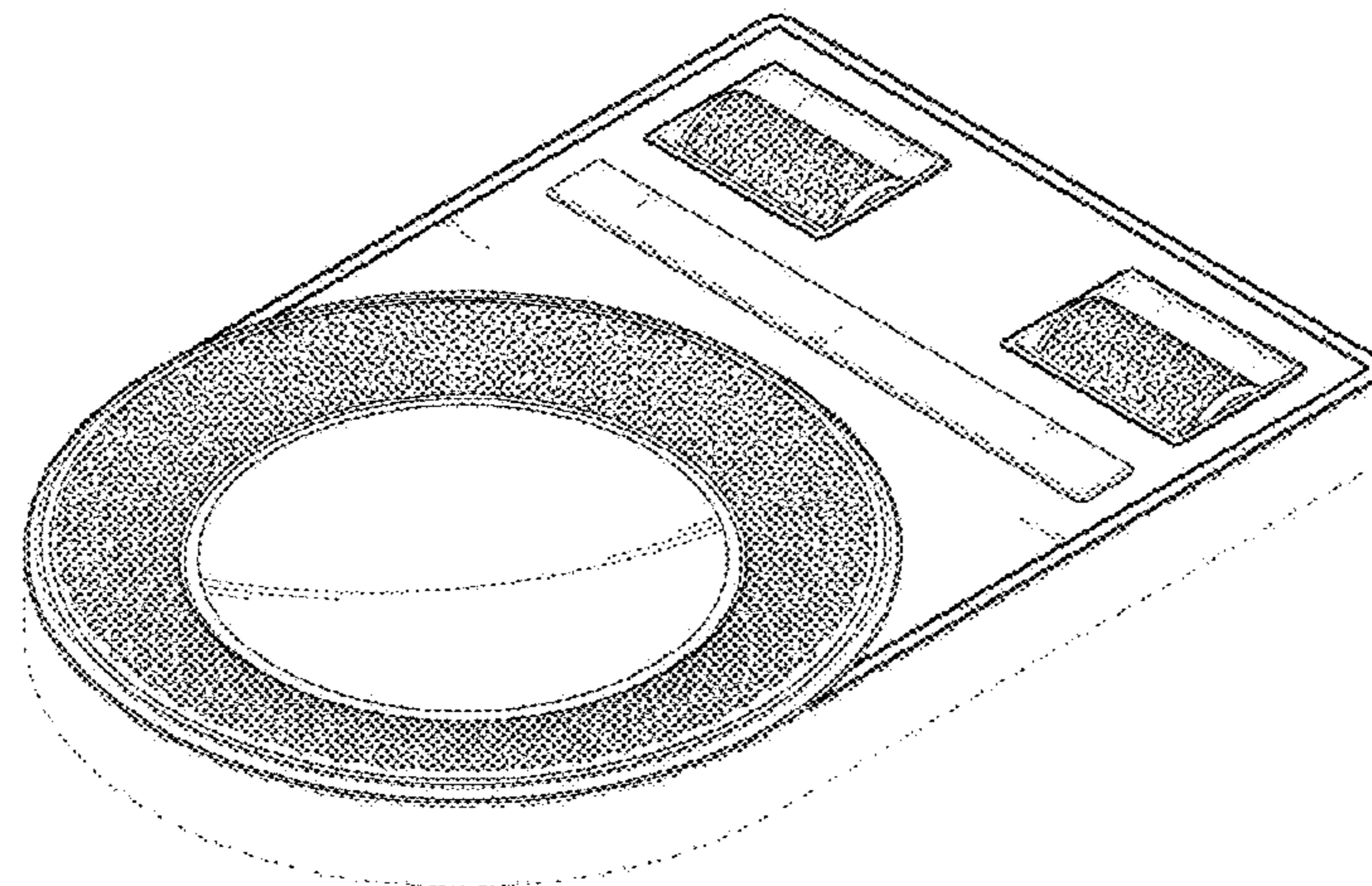
The ornamental design for a center console for automobile, as shown and described.

**DESCRIPTION**

- 1. Center console for automobile
- 1.1 : Perspective
- 1.2 : Front
- 1.3 : Back
- 1.4 : Left
- 1.5 : Top
- 1.6 : Bottom
- 1.7 : Reference photo

The broken lines depict portions of the center console for automobile that form no part of the claimed design; the dash-dot broken lines define the boundary of the claimed design and form no part thereof; reproduction 1.1 is a front perspective view of the center console for automobile; reproduction 1.2 is a front view thereof; reproduction 1.3 is a back view thereof; reproduction 1.4 is a left view thereof where the right view is a mirror image; reproduction 1.5 is a top view thereof; reproduction 1.6 is a bottom view thereof; reproduction 1.7 is a reference photo of the claimed design, which forms no part of the claimed design; this design is for a center console for automobile installed between the driver's seat and the front passenger's seat, which has a circular scroll and wheels, and is capable of controlling navigation system, communication media and other settings.

**1 Claim, 7 Drawing Sheets**



(56)

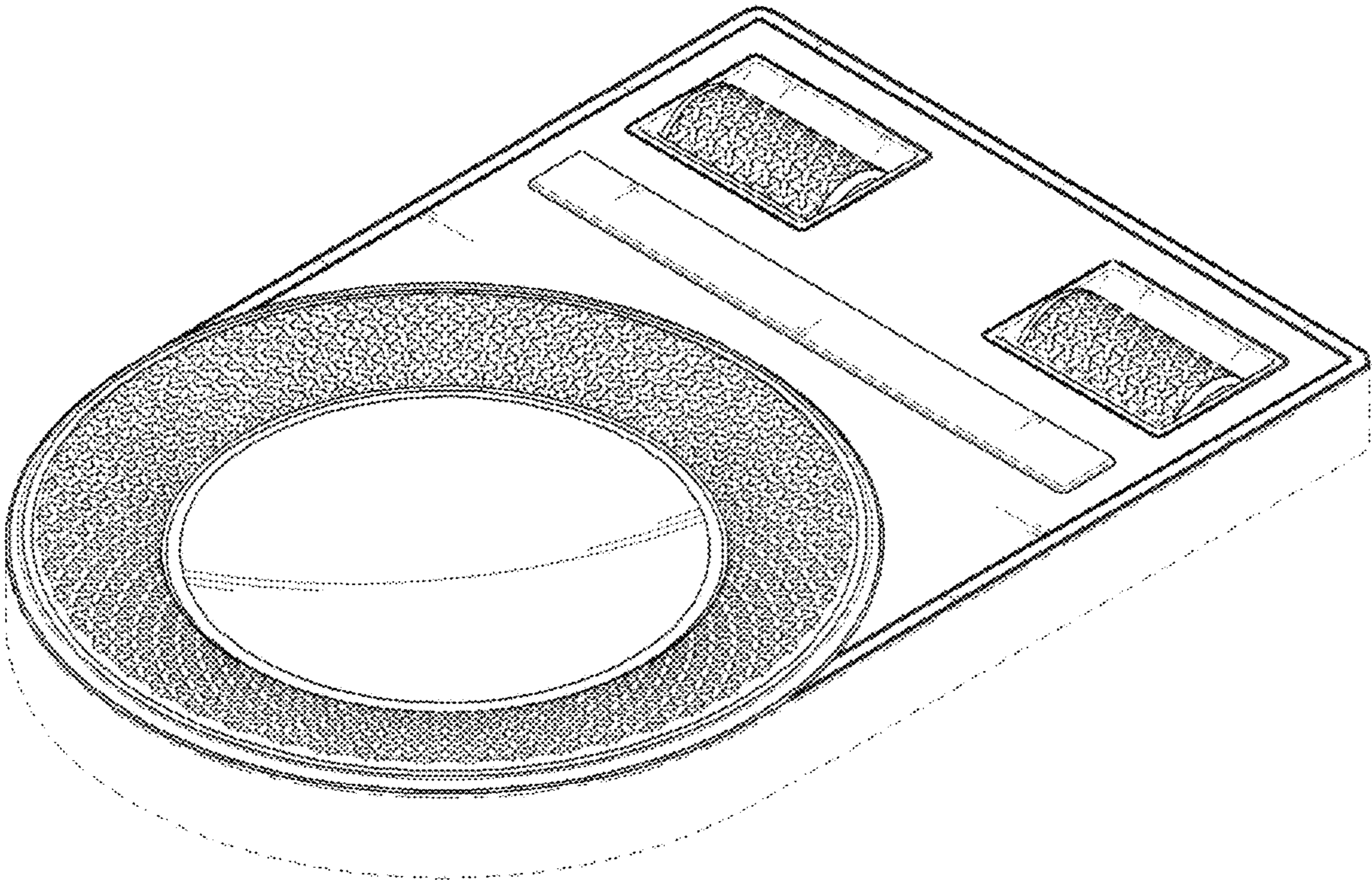
**References Cited**

U.S. PATENT DOCUMENTS

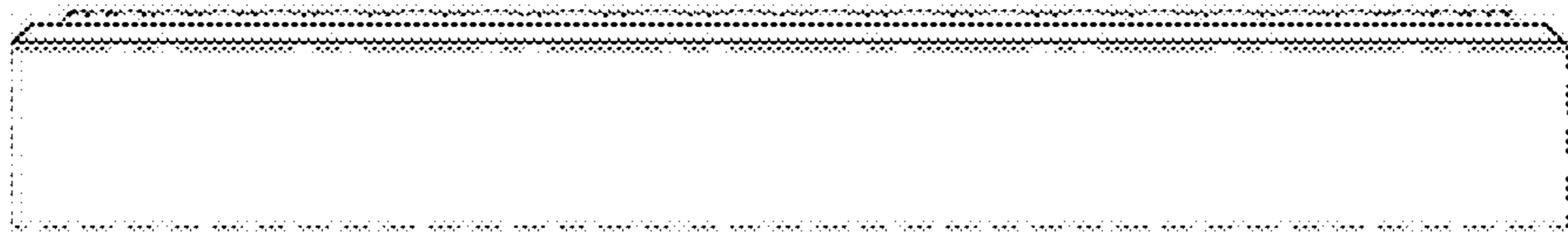
D729,774 S *	5/2015	Uchiyama .....	D14/218
D739,337 S *	9/2015	Persson .....	D12/415
D775,607 S *	1/2017	Uchiyama .....	D14/218
D776,640 S *	1/2017	Simonian .....	D14/218
9,555,594 B2 *	1/2017	Littlejohn .....	A47G 19/03
D809,589 S *	2/2018	Chatterton .....	H04W 52/0254 D18/4.4
D817,103 S *	5/2018	Clarichetti .....	D7/585
D825,435 S *	8/2018	Yu .....	D12/415

\* cited by examiner

1.1



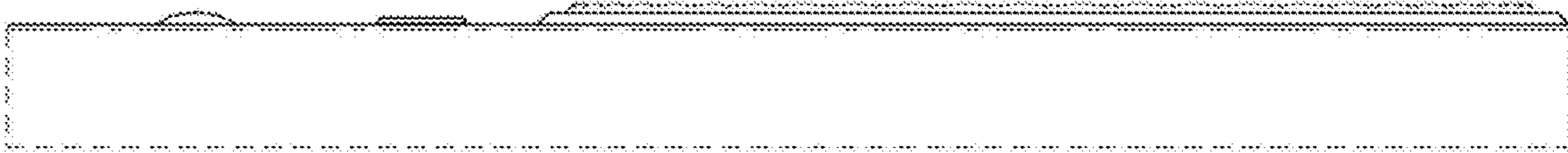
1.2



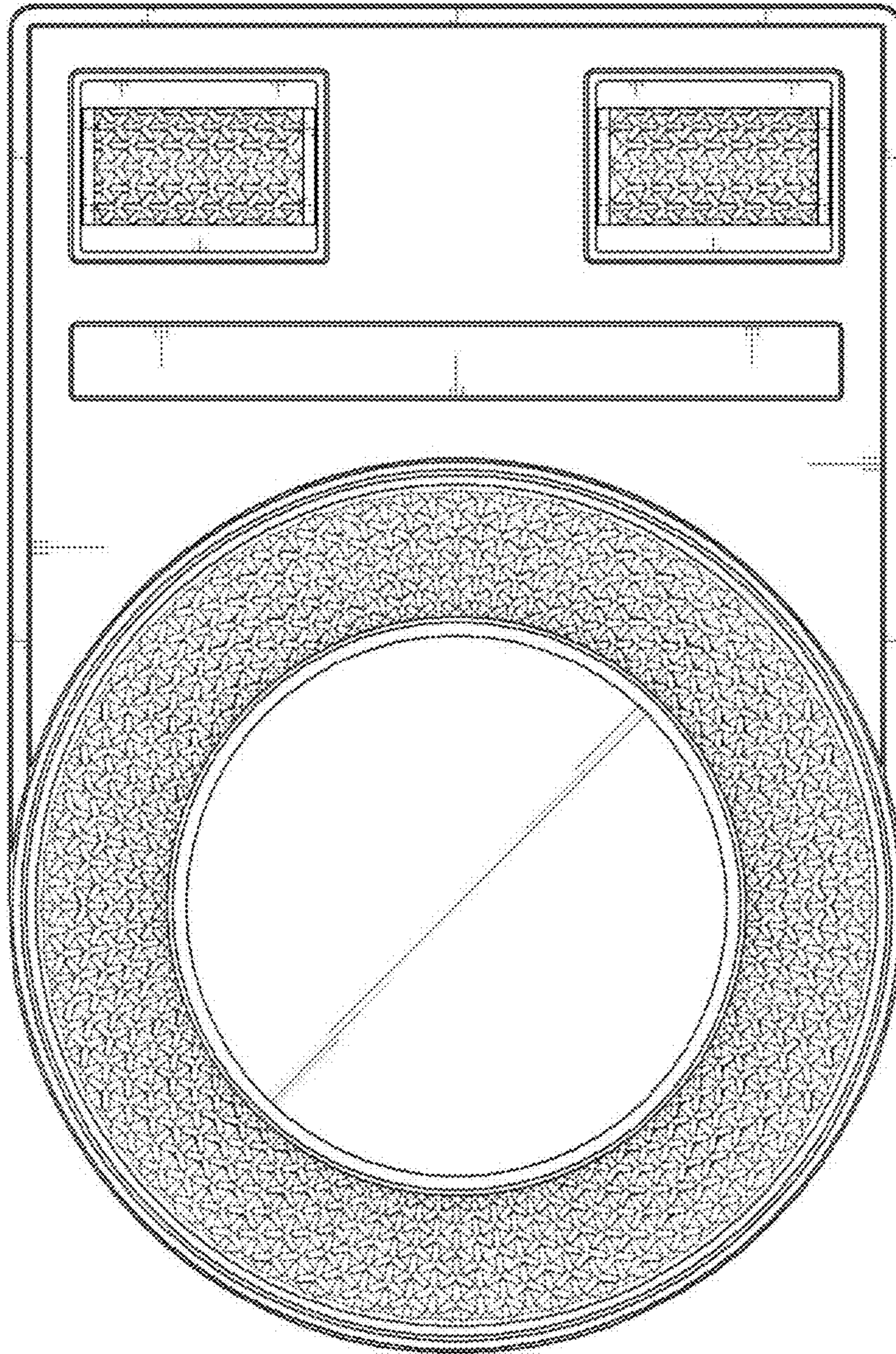
**1.3**



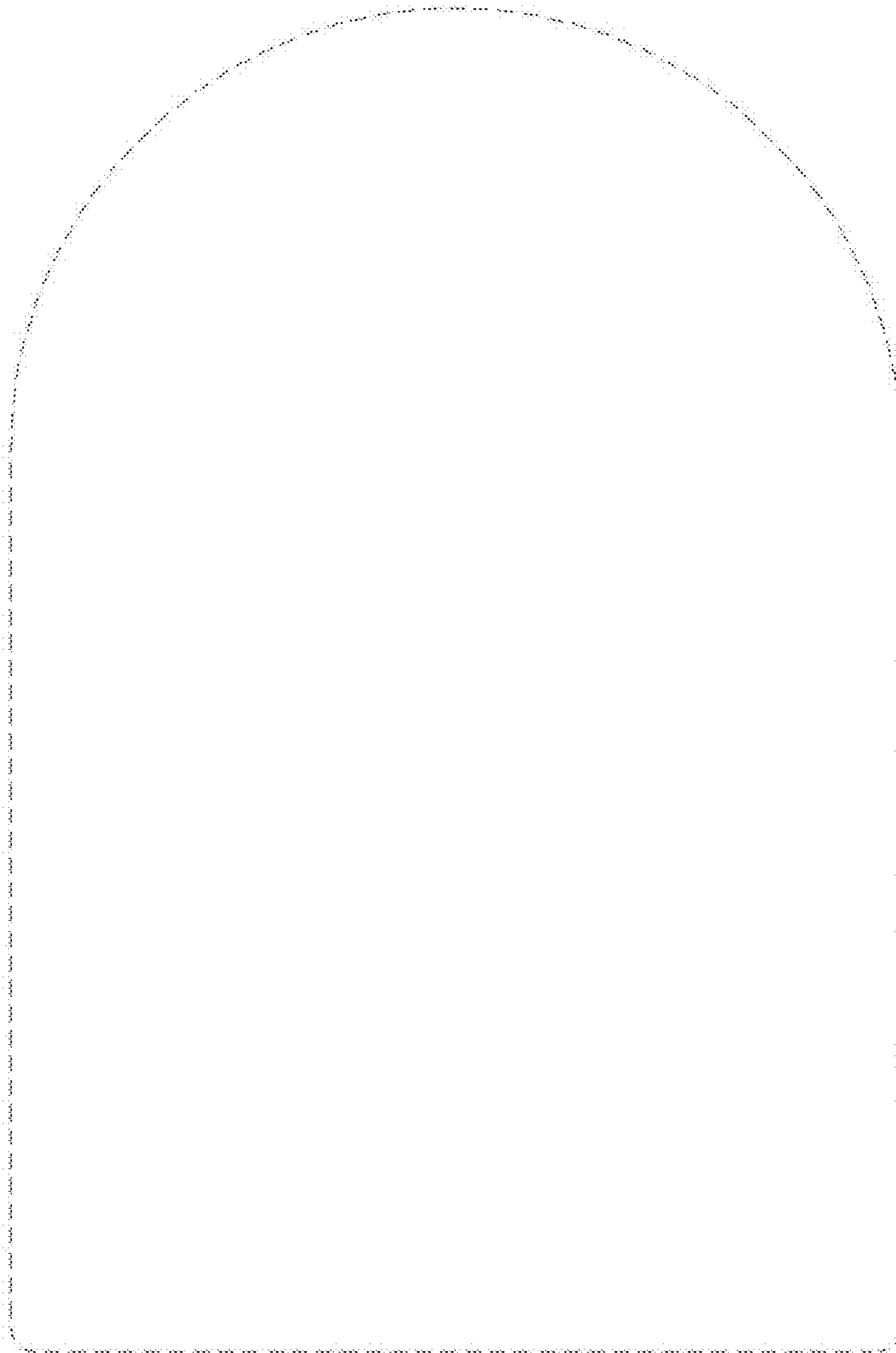
1.4



1.5



1.6





1.7

