

US00D860116S

(12) **United States Design Patent**
Hodge et al.

(10) **Patent No.:** **US D860,116 S**

(45) **Date of Patent:** **** Sep. 17, 2019**

(54) **DASHBOARD ATTACHMENT DEVICE**

(71) Applicant: **725-1 CORPORATION**, Palo Alto, CA (US)

(72) Inventors: **Andrew Hodge**, Palo Alto, CA (US); **Lynette Ross**, Mountain View, CA (US); **Adam Rodriguez**, Hacienda Heights, CA (US); **Stephen Senatore**, Palo Alto, CA (US)

(73) Assignee: **OWL CAMERAS, INC.**, Palo Alto, CA (US)

(**) Term: **15 Years**

(21) Appl. No.: **29/635,559**

(22) Filed: **Jan. 31, 2018**

Related U.S. Application Data

(63) Continuation-in-part of application No. 29/631,683, filed on Jan. 2, 2018.

(51) **LOC (12) Cl.** **12-16**

(52) **U.S. Cl.**
USPC **D12/415**

(58) **Field of Classification Search**
USPC D12/415-420, 400, 191, 106, 195, 345, D12/96, 99; 296/36; 22/539; 224/404;
(Continued)

(56) **References Cited**

U.S. PATENT DOCUMENTS

D253,816 S * 1/1980 Turek D12/418
D275,431 S * 9/1984 Usab 248/921
(Continued)

OTHER PUBLICATIONS

Owl Car Cam review: 24-hour surveillance redefines the dash cam, PCworld.com, by Jon L. Jacobi, Aug 14, 2018 11:30 AM PT,

[online], [site visited Feb. 18, 2019]. <URL: https://www.pcworld.com/article/3258803/consumer-electronics/owl-car-cam-review.html> Year: 2018.*

(Continued)

Primary Examiner — T Chase Nelson

Assistant Examiner — Jonathan J. Han

(74) *Attorney, Agent, or Firm* — Marton Ribera Schumann & Chang LLP; Hector J. Ribera

(57) **CLAIM**

The ornamental design for a dashboard attachment device, as shown and described.

DESCRIPTION

FIG. 1 is a perspective view of a dashboard attachment device in accordance with the present invention.

FIG. 2 is a top view of the dashboard attachment device of FIG. 1.

FIG. 3 is a bottom view of the dashboard attachment device of FIG. 1.

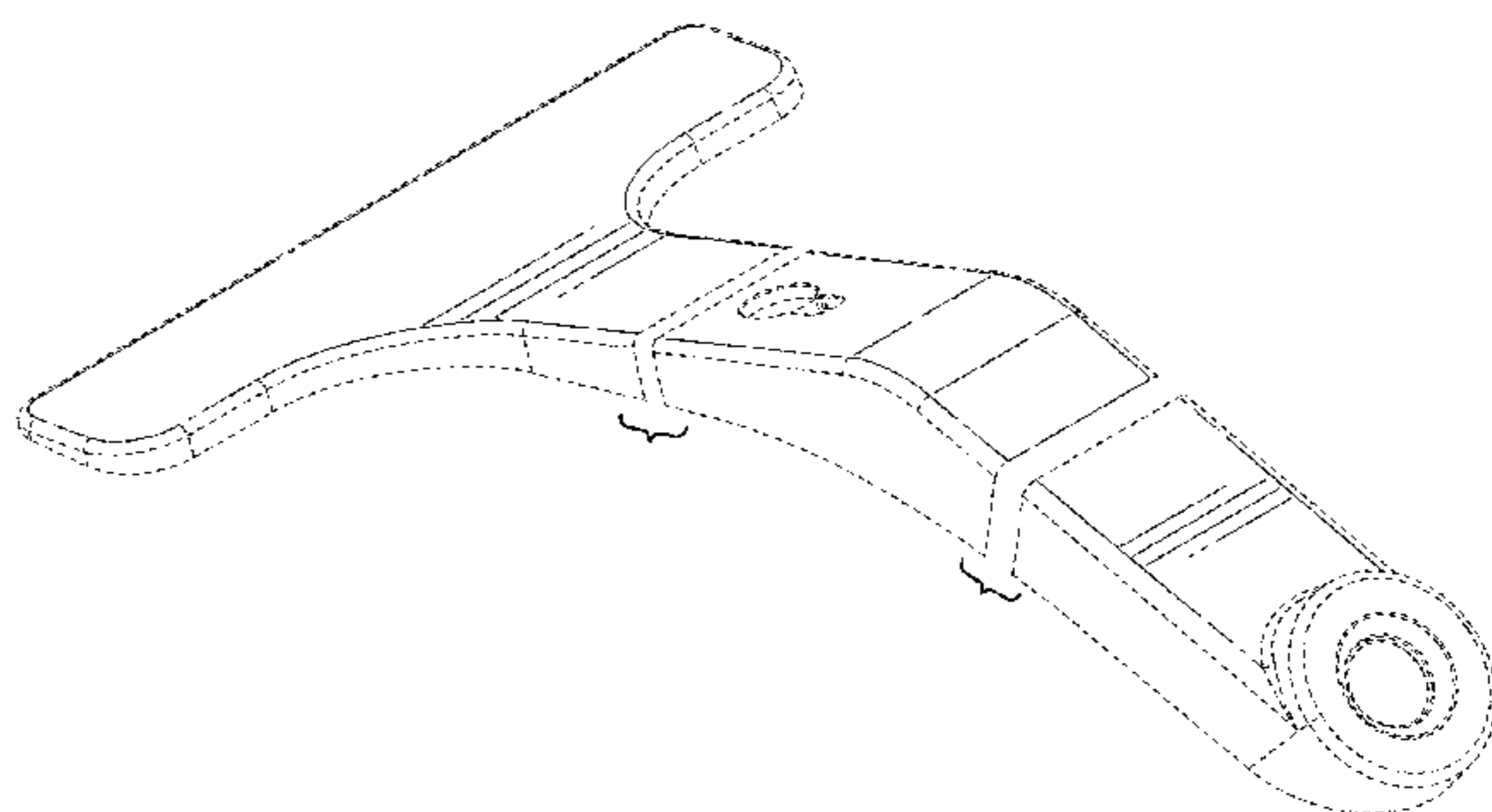
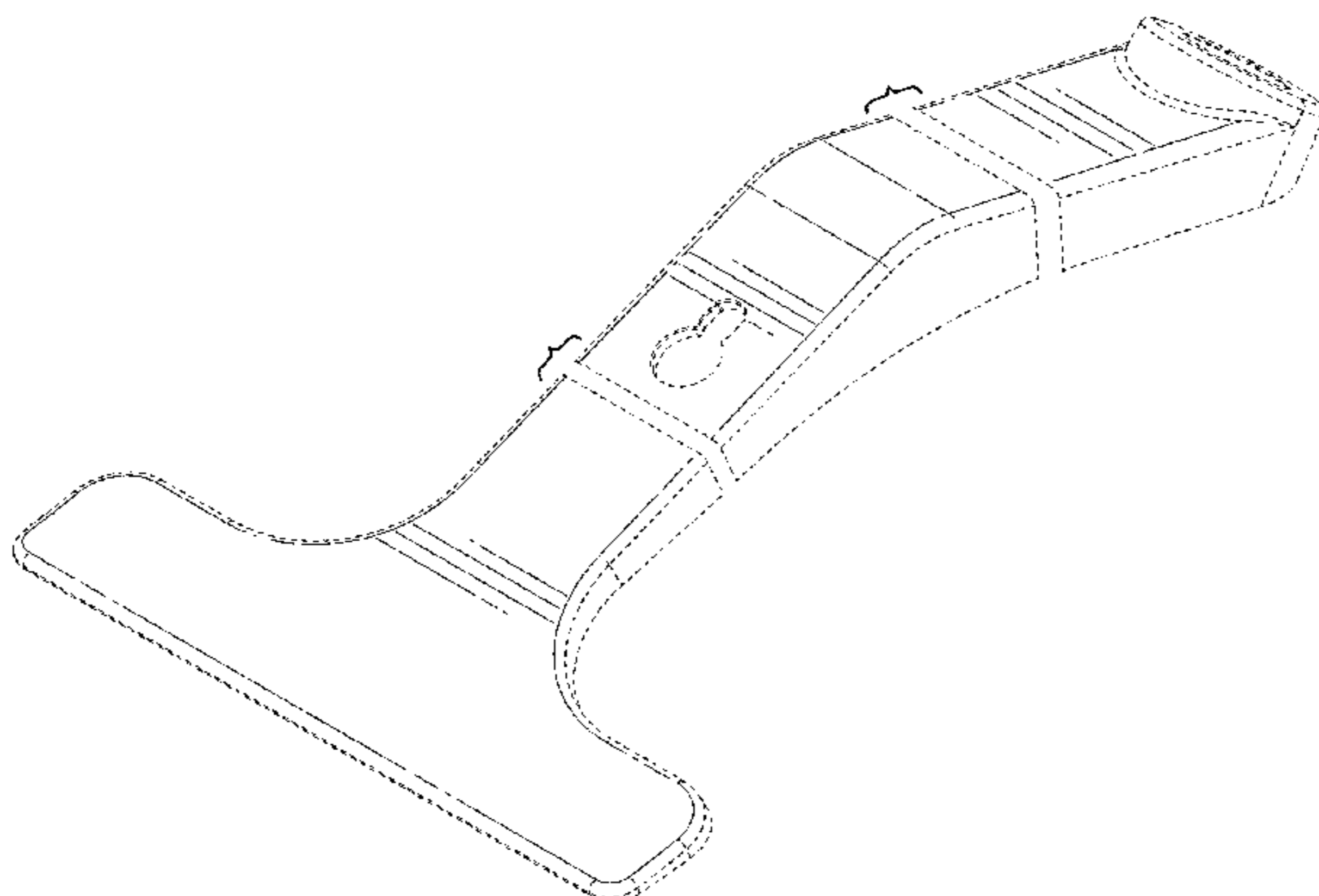
FIG. 4 is a right view of the dashboard attachment device of FIG. 1.

FIG. 5 is a perspective view from the right side of the dashboard attachment device of FIG. 1; and,

FIG. 6 is a back view of the dashboard attachment device of FIG. 1.

The broken or dashed lines showing the remainder of the dashboard attachment device are directed to unclaimed environment and form no part of the claimed design. The claimed design for the dashboard attachment device is directed to the portions shown in the figure views and any portions not shown between the brackets form no part of the claimed design. Surface shading shown in the drawings is used to show contour of the design and is not to be construed as surface ornamentation.

1 Claim, 6 Drawing Sheets



(58) **Field of Classification Search**
USPC 248/284.1; D8/354; D9/423;
D14/451-452, 447
CPC B60R 7/04; B60R 7/08; B60R 7/06; B60R
11/02; B60R 2011/005; B60R 2011/0012;
A61L 9/12; A61L 9/04
See application file for complete search history.

(56) **References Cited**

U.S. PATENT DOCUMENTS

D292,532 S * 10/1987 Strongwater D32/49
D360,505 S * 7/1995 Goodman D32/41
D381,149 S * 7/1997 Mayo D32/49
D516,010 S * 2/2006 Sullivan D12/415
D575,774 S * 8/2008 Harris D14/125
D649,153 S * 11/2011 Symons D14/447
D685,316 S * 7/2013 Inagaki D12/415
D709,757 S * 7/2014 Yang D8/395
D717,361 S * 11/2014 Nikaido D16/244
D723,756 S * 3/2015 Goodman D32/41
D749,081 S * 2/2016 Serfoss D14/447
D760,723 S * 7/2016 Won D14/447
D772,884 S * 11/2016 Oberpriller G06K 7/1095
D14/253
D785,000 S * 4/2017 Messler D14/451
D786,174 S * 5/2017 Godard D12/415
D787,144 S * 5/2017 Thompson D32/41
D792,415 S * 7/2017 Tsai D14/447

D797,750 S * 9/2017 Wengreen D14/447
D819,015 S * 5/2018 Lee D14/253
D824,917 S * 8/2018 Nelson D14/447
D829,217 S * 9/2018 Scholler D14/447
D830,369 S * 10/2018 Grundstrom D14/447
D831,666 S * 10/2018 Yao D14/447
D832,209 S * 10/2018 Kang D13/108
D835,114 S * 12/2018 Lazzi D14/447
D835,626 S * 12/2018 Mir Martos D14/447
D837,222 S * 1/2019 Janzen D14/447
D837,223 S * 1/2019 Wu D14/451

OTHER PUBLICATIONS

Owl Dash Cam First Look, YouTube.com, TWiT Netcast Network,
Published on Mar 3, 2018, [online], [site visited Feb. 18, 2019].
<URL: <https://www.youtube.com/watch?v=QieoDymuhR0>> (Year:
2018).*

I let Owl dash cam watch a hopeless place . . . my car, Medium.com,
Lance Ulanoff, Mar 30, 2018, [online], [site visited Feb. 18, 2019].
<URL: [https://medium.com/@LanceUlanoff/i-let-owl-dash-cam-
watch-a-hopeless-place-my-car-ef5b93adfa8a](https://medium.com/@LanceUlanoff/i-let-owl-dash-cam-watch-a-hopeless-place-my-car-ef5b93adfa8a)> (Year: 2018).*

Universal hot sale car tachograph holder dash cam mount,
GlobalSources.com, [online], [site visited Feb. 18, 2019]. <URL:
[https://hyhtech.manufacturer.globalsources.com/si/6008849393114/
pdt1/GPS-mount/1149340166/Universal-hot-sale-car-tachograph-
holder-dash-cam.htm](https://hyhtech.manufacturer.globalsources.com/si/6008849393114/pdt1/GPS-mount/1149340166/Universal-hot-sale-car-tachograph-holder-dash-cam.htm)> (Year: 2019).*

* cited by examiner

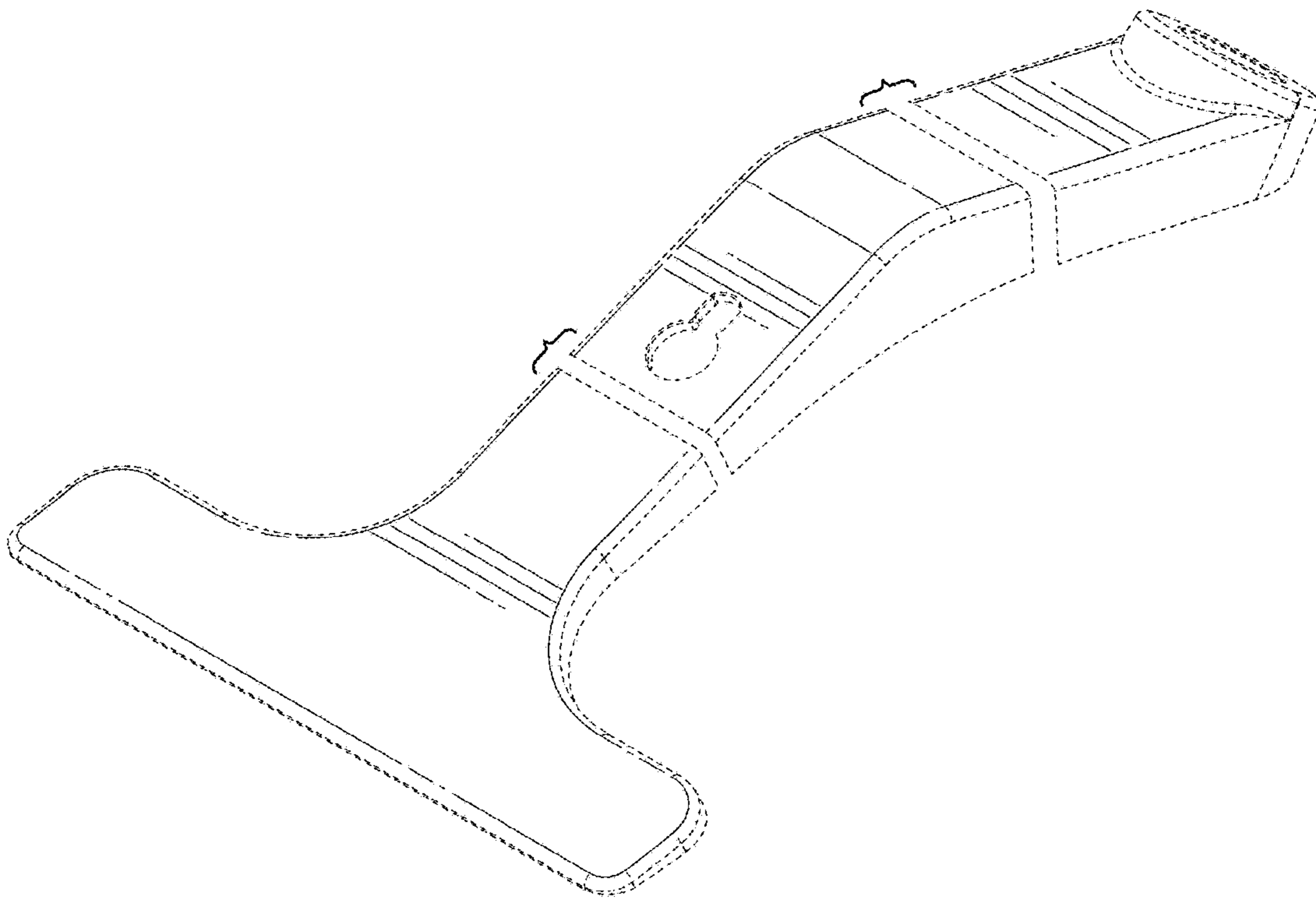


FIG. 1

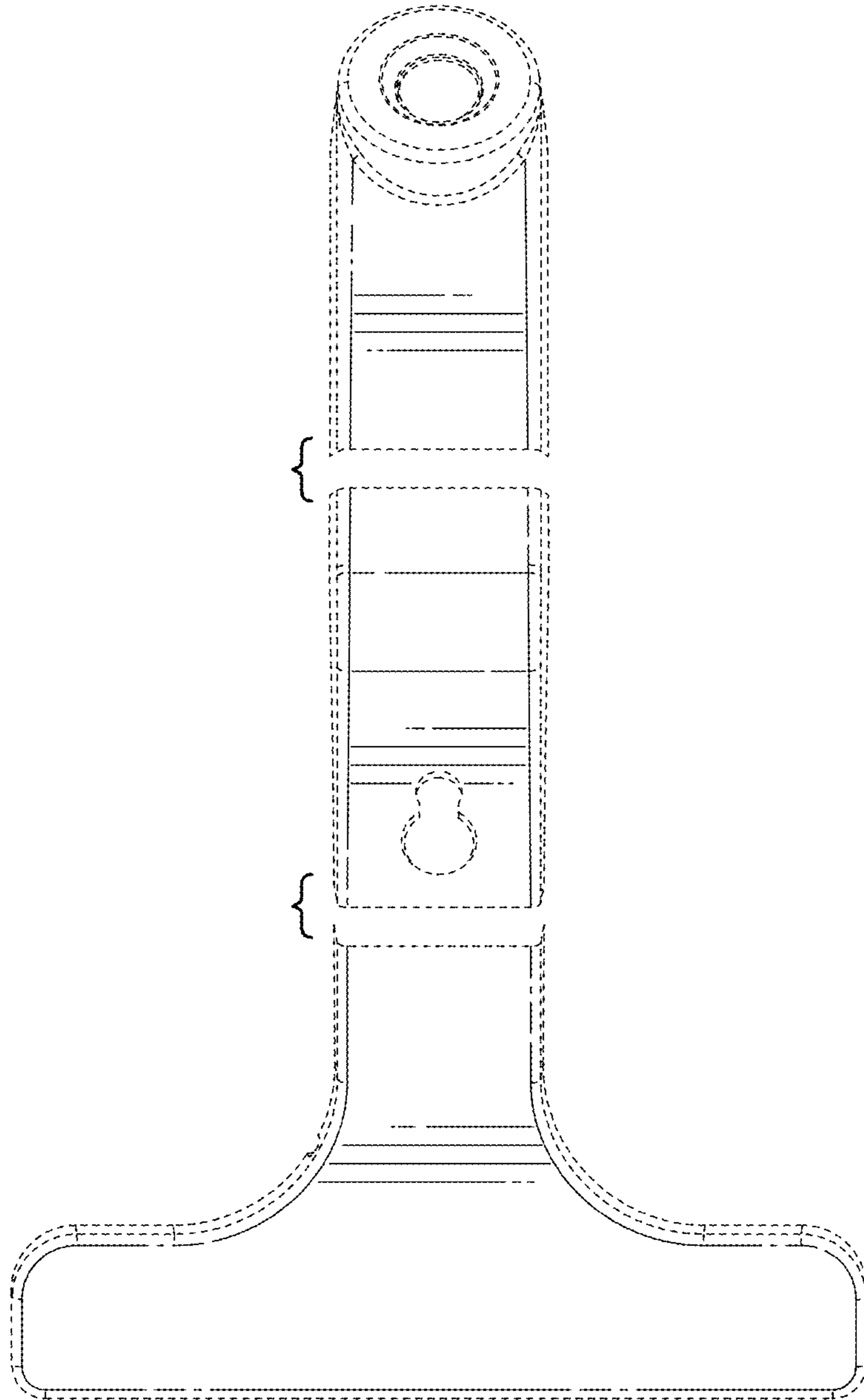


FIG. 2

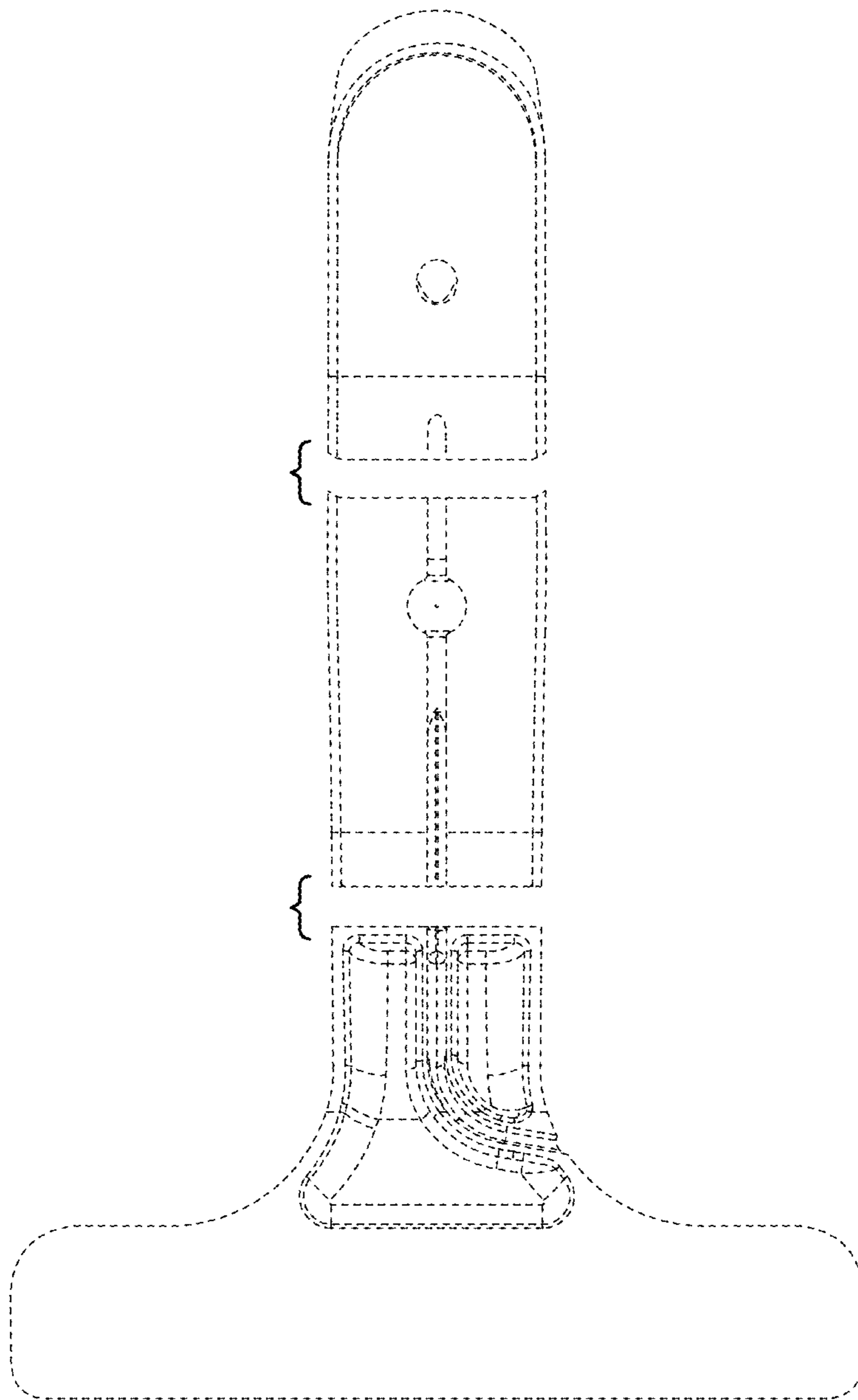


FIG. 3

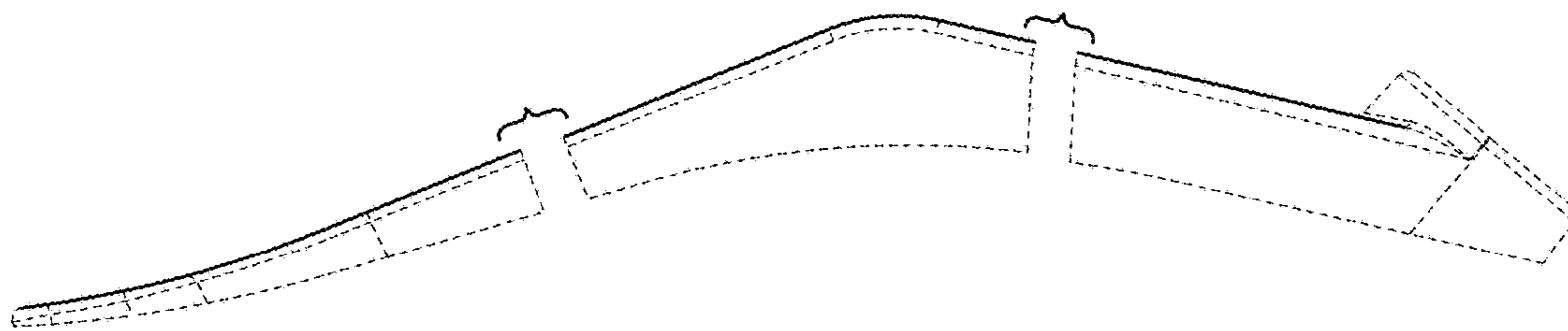


FIG. 4

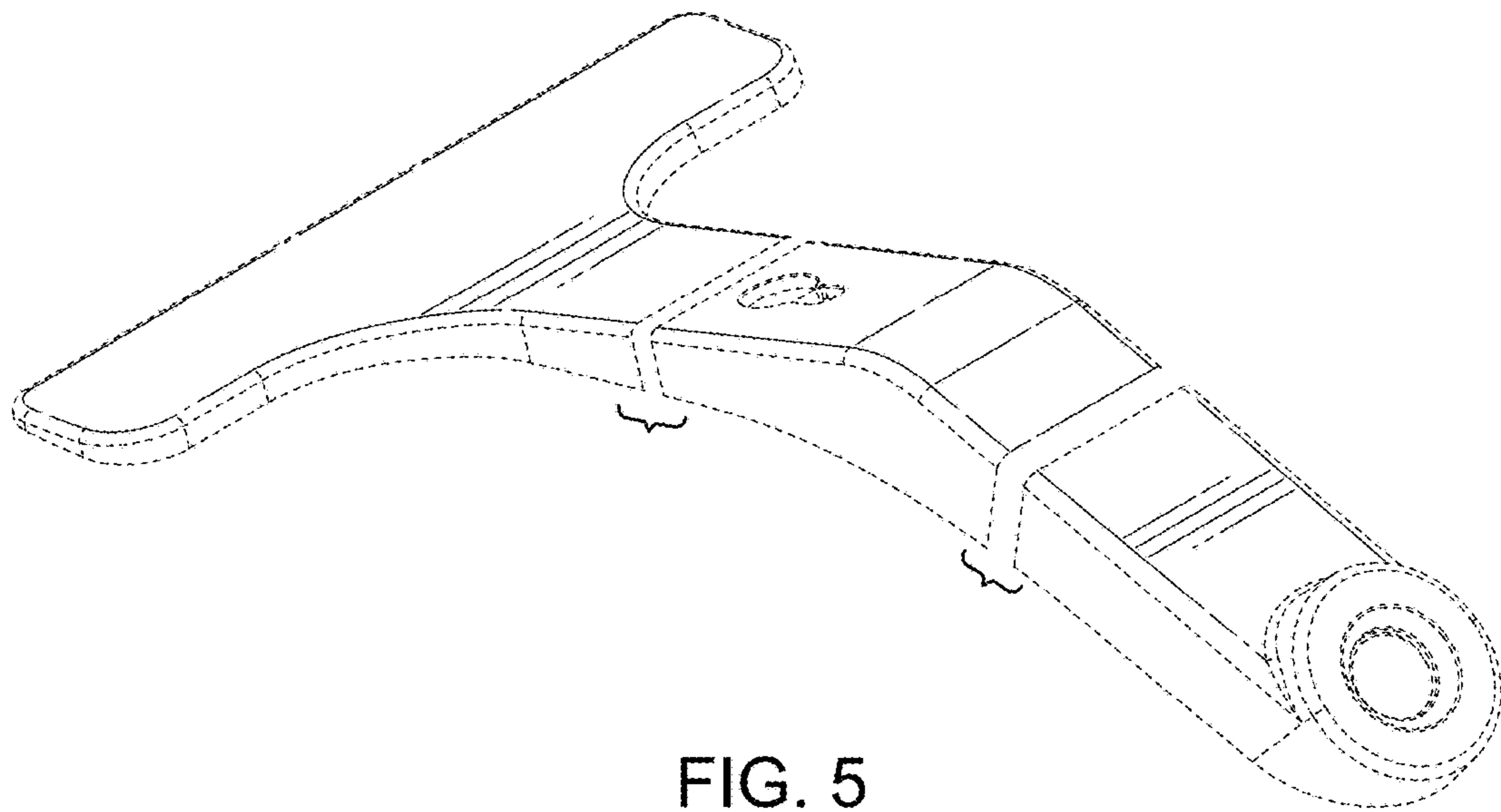


FIG. 5

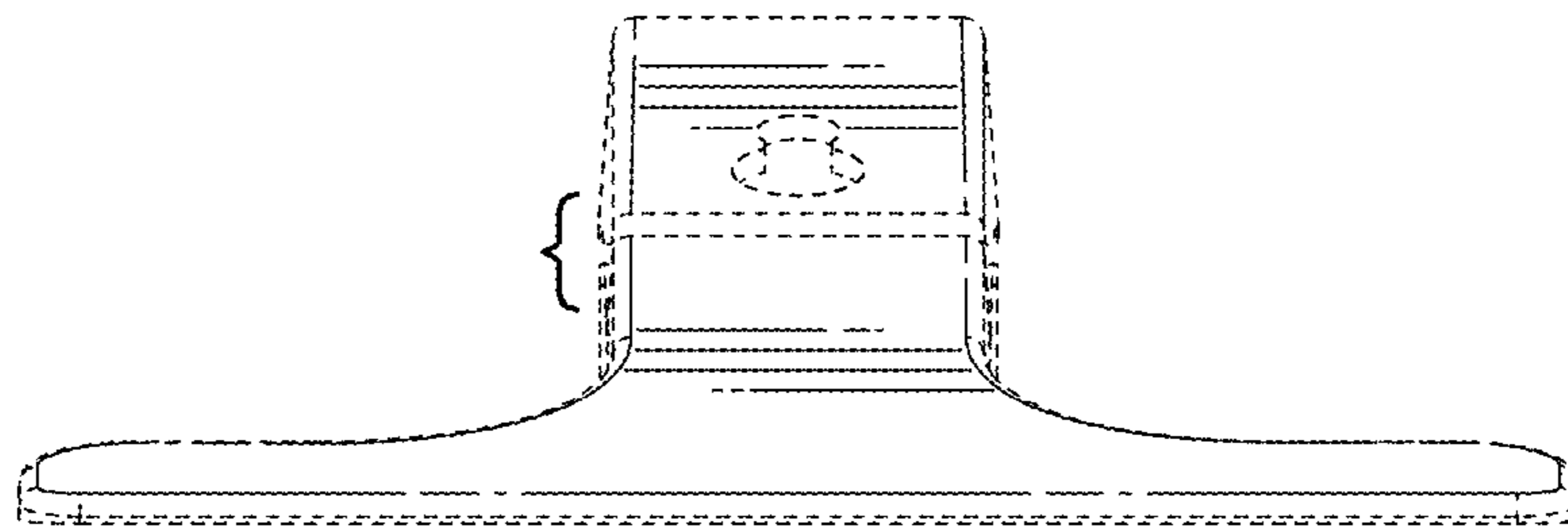


FIG. 6