



US00D860115S

(12) **United States Design Patent** (10) **Patent No.:** **US D860,115 S**  
**Hodge et al.** (45) **Date of Patent:** **\*\* Sep. 17, 2019**

(54) **DASHBOARD ATTACHMENT DEVICE**

(71) Applicant: **725-1 CORPORATION**, Palo Alto, CA (US)

(72) Inventors: **Andrew Hodge**, Palo Alto, CA (US);  
**Lynette Ross**, Mountain View, CA (US); **Adam Rodriguez**, Palo Alto, CA (US)

(73) Assignee: **OWL CAMERAS, INC.**, Palo Alto, CA (US)

(\*\*) Term: **15 Years**

(21) Appl. No.: **29/631,683**

(22) Filed: **Jan. 2, 2018**

(51) **LOC (12) Cl.** ..... **12-16**

(52) **U.S. Cl.**  
USPC ..... **D12/415**

(58) **Field of Classification Search**  
USPC ..... D12/415-420, 400, 191, 106, 195, 345,  
D12/96, 99; 296/36; 22/539; 224/404;  
248/274.1, 284.1; D8/354; D9/423;  
D14/451-452, 447  
CPC .... B60R 7/04; B60R 7/08; B60R 7/06; B60R  
11/02; B60R 2011/005; B60R 2011/0012;  
A61L 9/12; A61L 9/04

See application file for complete search history.

(56) **References Cited**

**U.S. PATENT DOCUMENTS**

D253,816 S *	1/1980	Turek	.....	D12/418
D275,431 S *	9/1984	Usab	.....	248/921
D292,532 S *	10/1987	Strongwater	.....	D32/49
D360,505 S *	7/1995	Goodman	.....	D32/41
D381,149 S *	7/1997	Mayo	.....	D32/49

(Continued)

**OTHER PUBLICATIONS**

Owl Car Cam review: 24-hour surveillance redefines the dash cam, PCworld.com, By Jon L. Jacobi, Aug. 14, 2018 11:30 AM PT,

[online], [site visited Feb. 18, 2019]. <URL: <https://www.pcworld.com/article/3258803/consumer-electronics/owl-car-cam-review.html>> (Year: 2018).\*

(Continued)

*Primary Examiner* — T Chase Nelson

*Assistant Examiner* — Jonathan J. Han

(74) *Attorney, Agent, or Firm* — Marton Ribera  
Schumann & Chang LLP; Hector J. Ribera

(57) **CLAIM**

The ornamental design for a dashboard attachment device, as shown and described.

**DESCRIPTION**

FIG. 1 is a perspective view of a dashboard attachment device in accordance with the present invention.

FIG. 2 is a front view of the dashboard attachment device of FIG. 1.

FIG. 3 is a back view of the dashboard attachment device of FIG. 1.

FIG. 4 is a right view of the dashboard attachment device of FIG. 1.

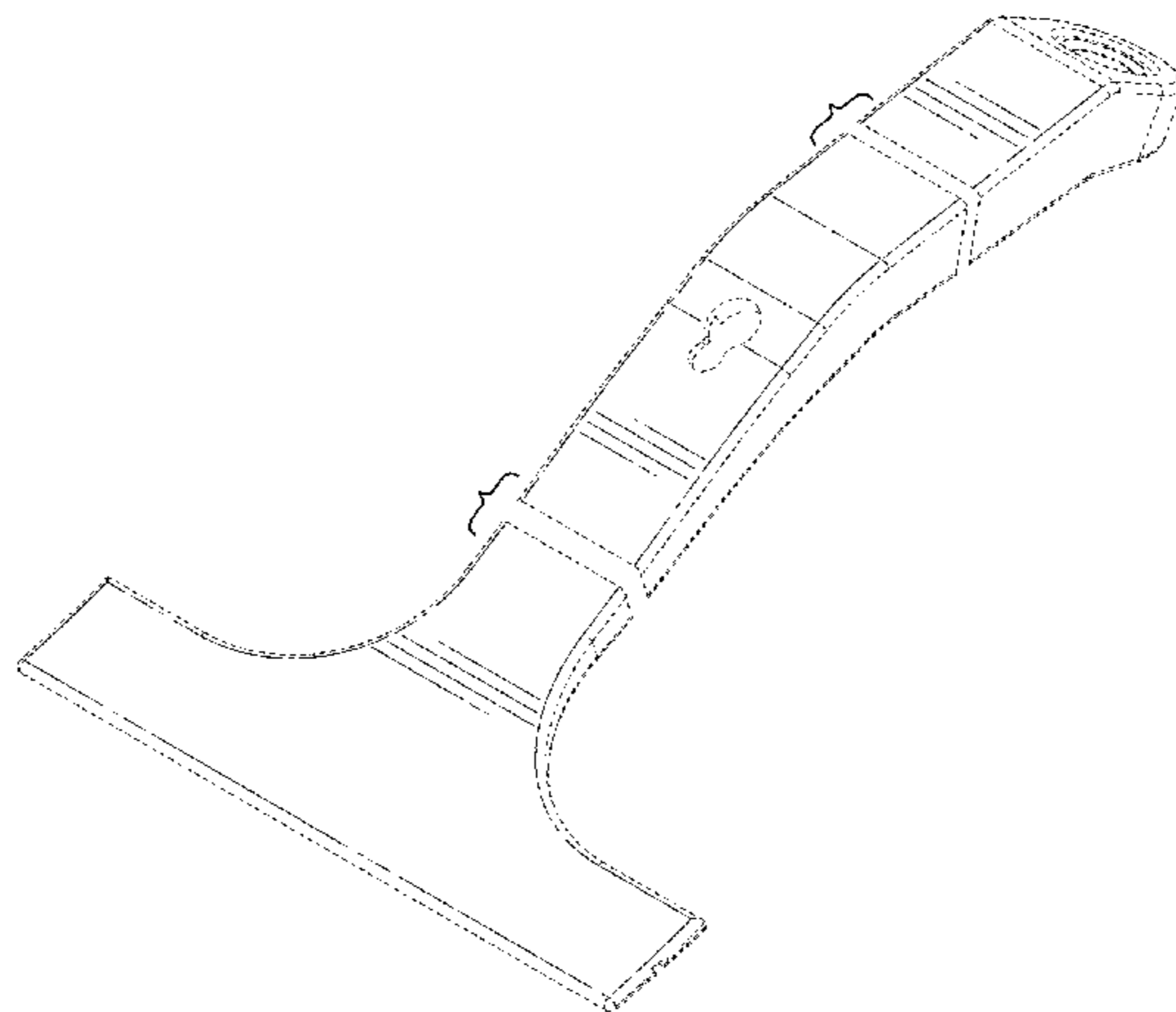
FIG. 5 is a left view of the dashboard attachment device of FIG. 1.

FIG. 6 is a top view of the dashboard attachment device of FIG. 1; and,

FIG. 7 is a bottom view of the dashboard attachment device of FIG. 1.

The broken or dashed lines showing the remainder of the dashboard attachment device are directed to unclaimed environment and form no part of the claimed design. The claimed design for the dashboard attachment device is directed to the portions shown in the figure views and any portions not shown between the brackets form no part of the claimed design. Surface shading shown in the drawings is used to show contour of the design and is not to be construed as surface ornamentation.

**1 Claim, 7 Drawing Sheets**





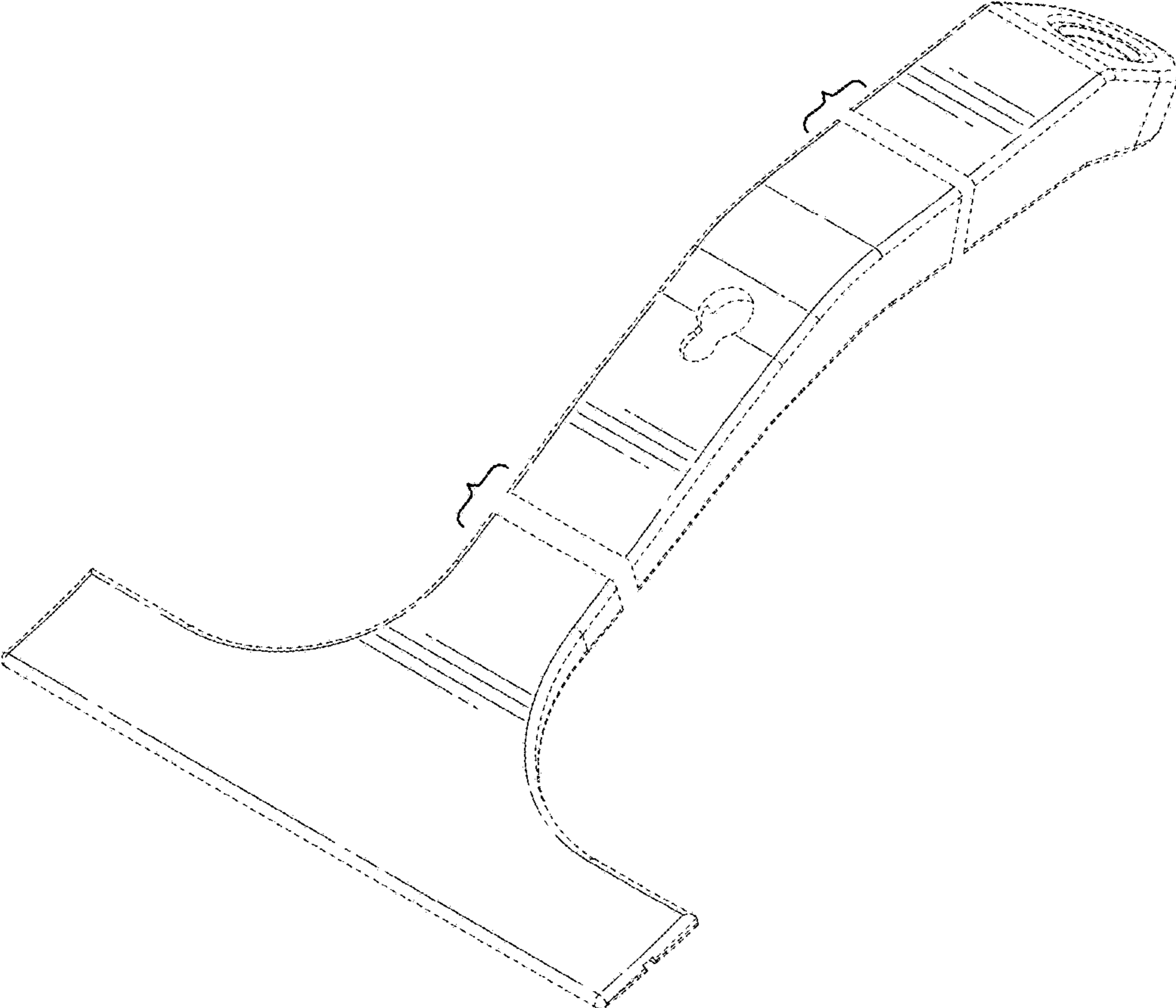


FIG. 1

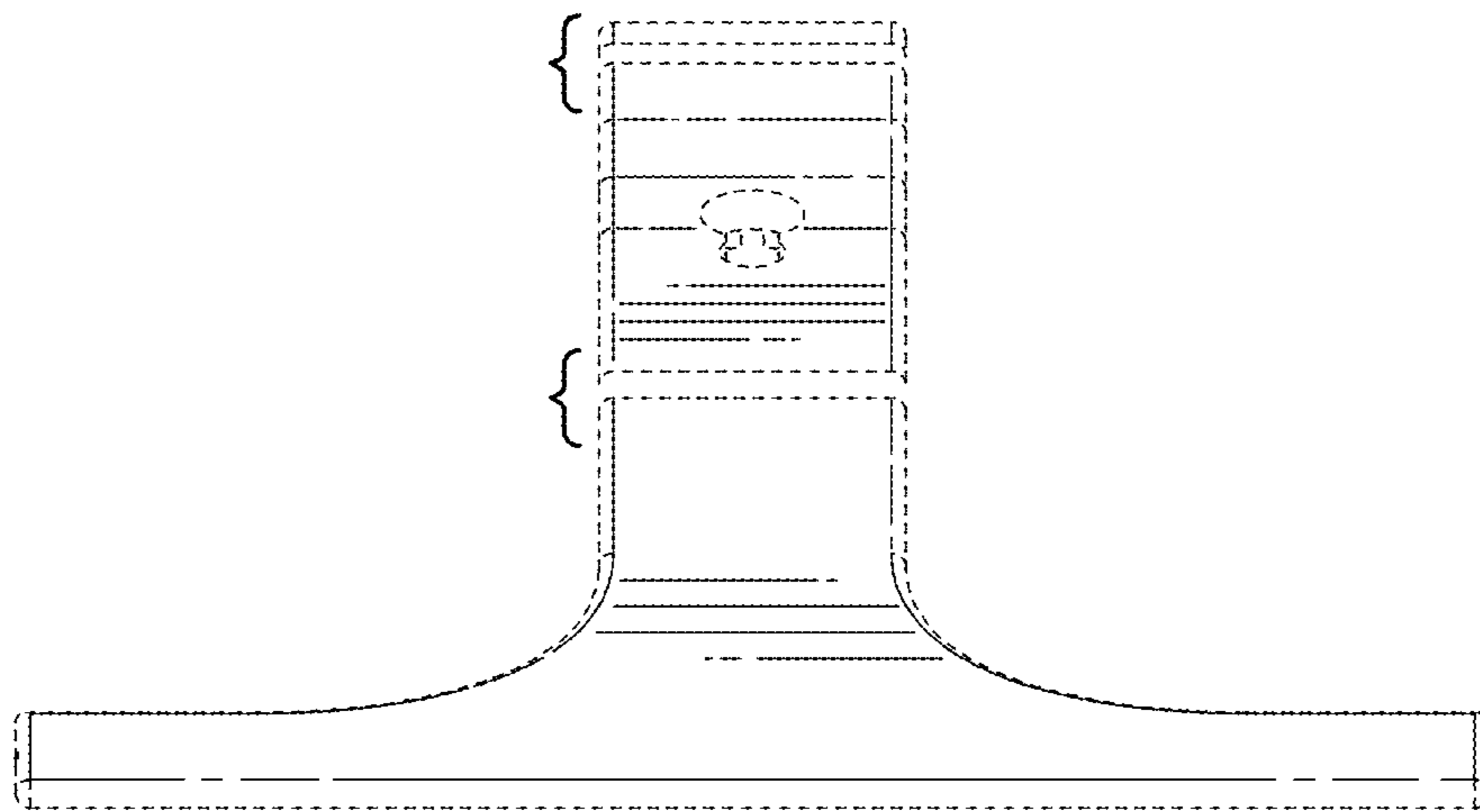


FIG. 2

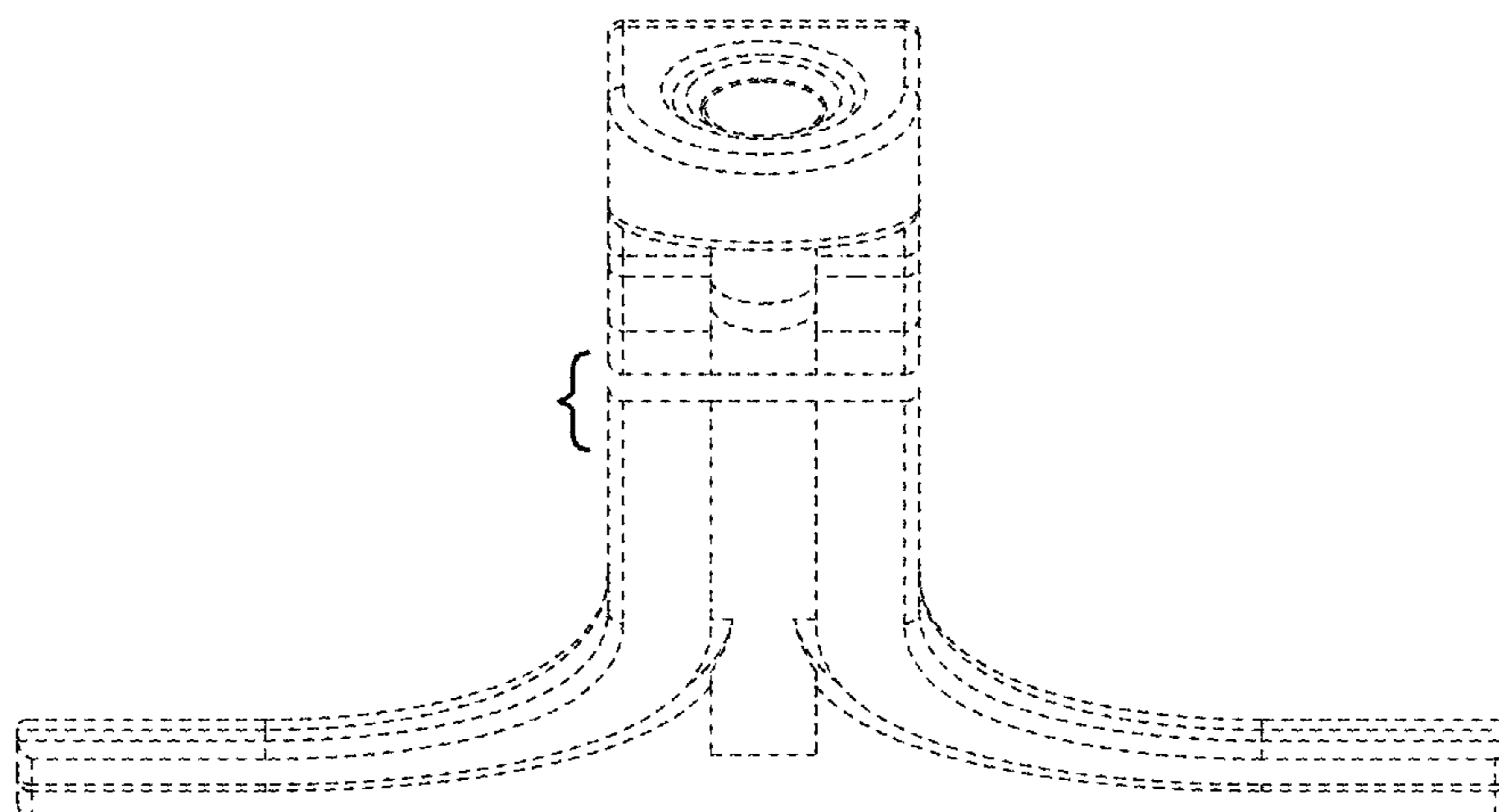


FIG. 3

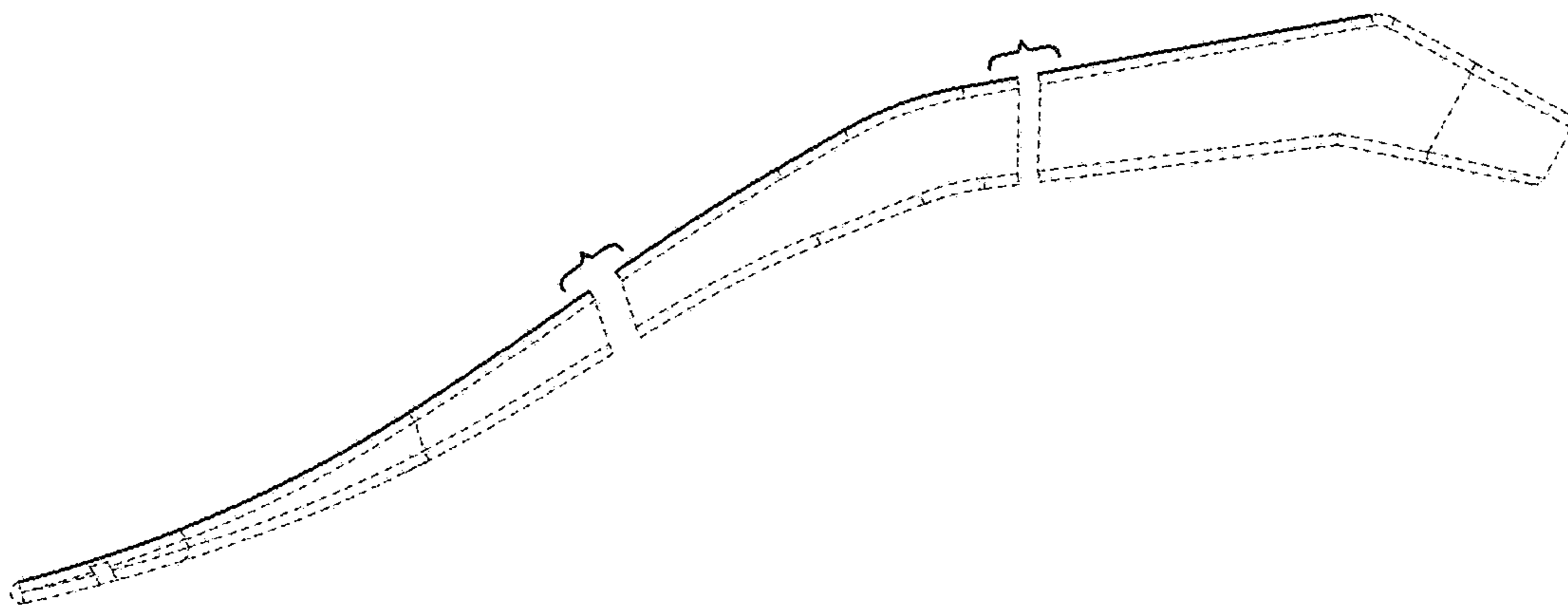


FIG. 4

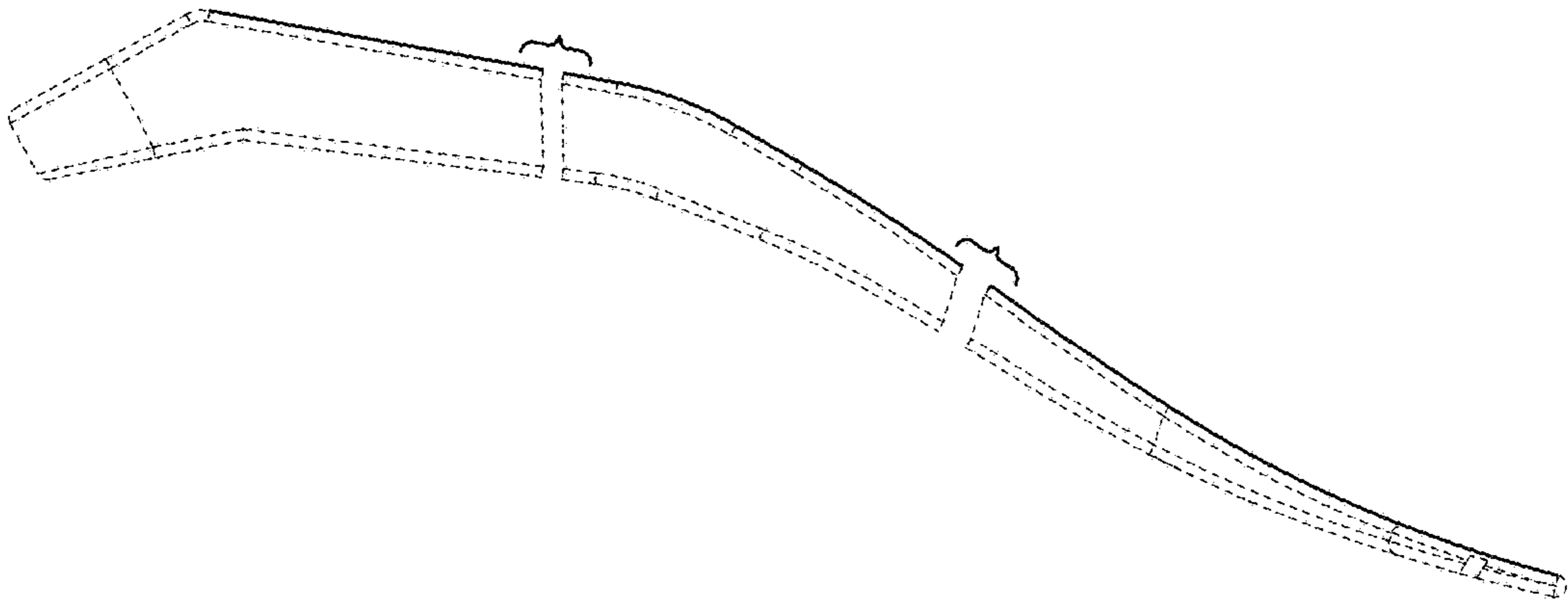


FIG. 5

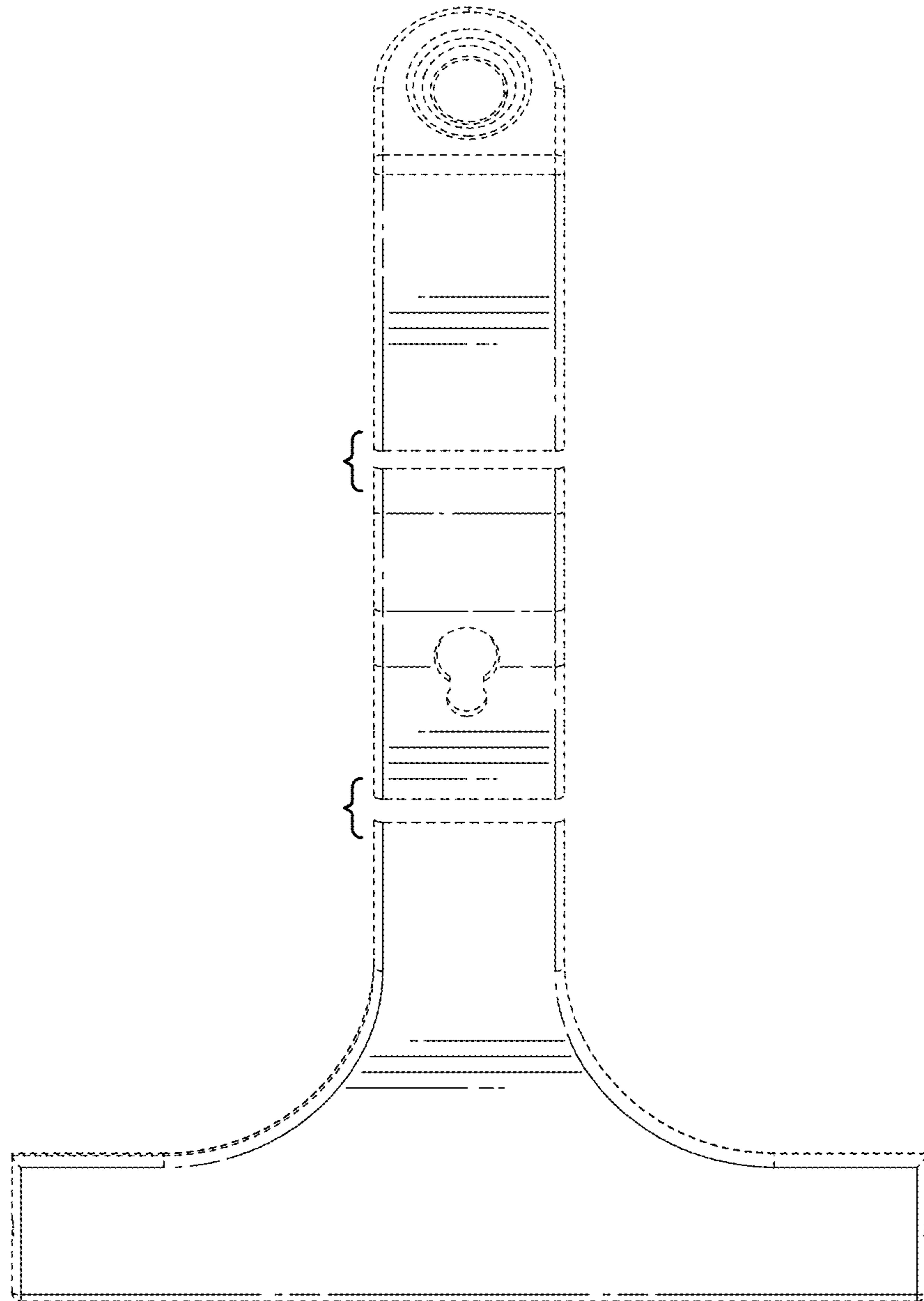


FIG. 6



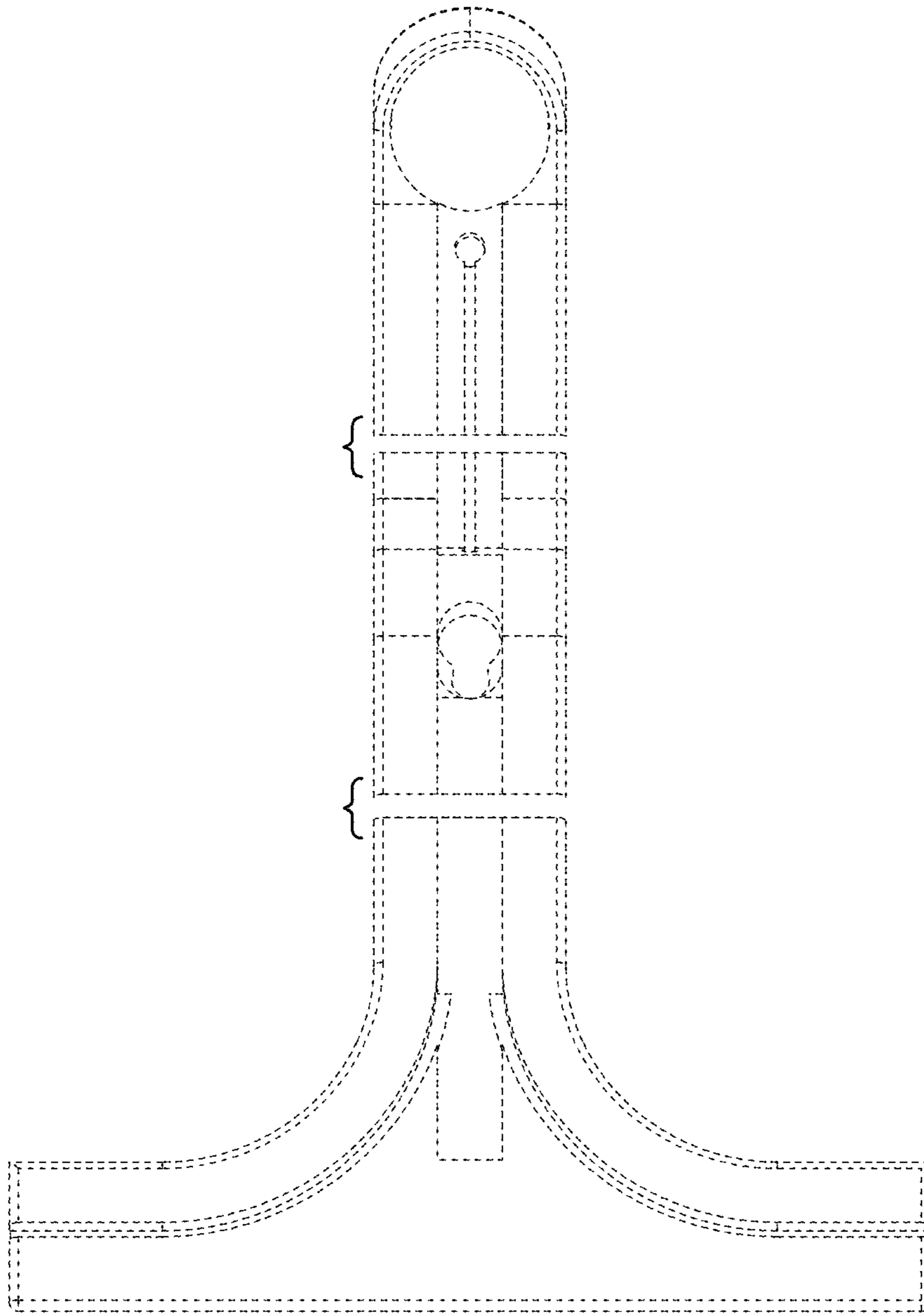


FIG. 7