



US00D860114S

(12) **United States Design Patent** (10) **Patent No.:** **US D860,114 S**  
**He** (45) **Date of Patent:** **\*\* Sep. 17, 2019**

(54) **BRACKET FOR RADIO SETS FOR VEHICLES**

(71) Applicant: **Shuwei He**, Hunan (CN)

(72) Inventor: **Shuwei He**, Hunan (CN)

(73) Assignee: **Shangxing Technology (Shenzhen) Co., Ltd.**, Shenzhen, Guangdong (CN)

(\*\*) Term: **15 Years**

(21) Appl. No.: **29/631,595**

(22) Filed: **Dec. 29, 2017**

(51) **LOC (12) Cl.** ..... **12-16**

(52) **U.S. Cl.**  
USPC ..... **D12/415**

(58) **Field of Classification Search**  
USPC ..... D12/415-420, 400, 191, 106, 195, 345,  
D12/96, 99; D14/223, 447, 251-253,  
D14/434, 432, 439-440, 451-452, 239;  
D8/373, 380; D6/553, 675, 672, 673  
CPC ..... B60R 7/06; B60R 11/02; B60R 11/0241;  
B60R 11/0258; B60R 2011/005; B60R  
2011/0012; B60R 2011/008; A61L 9/12;  
A61L 9/04; F16M 11/041; F16M 11/02;  
F16M 11/04; A45C 2011/002; A45C  
2011/003

See application file for complete search history.

(56) **References Cited**

**U.S. PATENT DOCUMENTS**

D560,068 S \* 1/2008 Dixon ..... A45F 5/02  
D3/218  
D570,836 S \* 6/2008 Chen ..... D14/253

D637,593 S \* 5/2011 Zanetti ..... D14/253  
D641,610 S \* 7/2011 Sedalo ..... D8/354  
D703,657 S \* 4/2014 Carnevali ..... D14/253  
D736,217 S \* 8/2015 Wang ..... D14/451  
D767,556 S \* 9/2016 Lee ..... D12/415  
D807,339 S \* 1/2018 Lan ..... D14/253  
D831,660 S \* 10/2018 Yao ..... D14/447  
D833,369 S \* 11/2018 Lan ..... D12/415

\* cited by examiner

*Primary Examiner* — Abraham Bahta

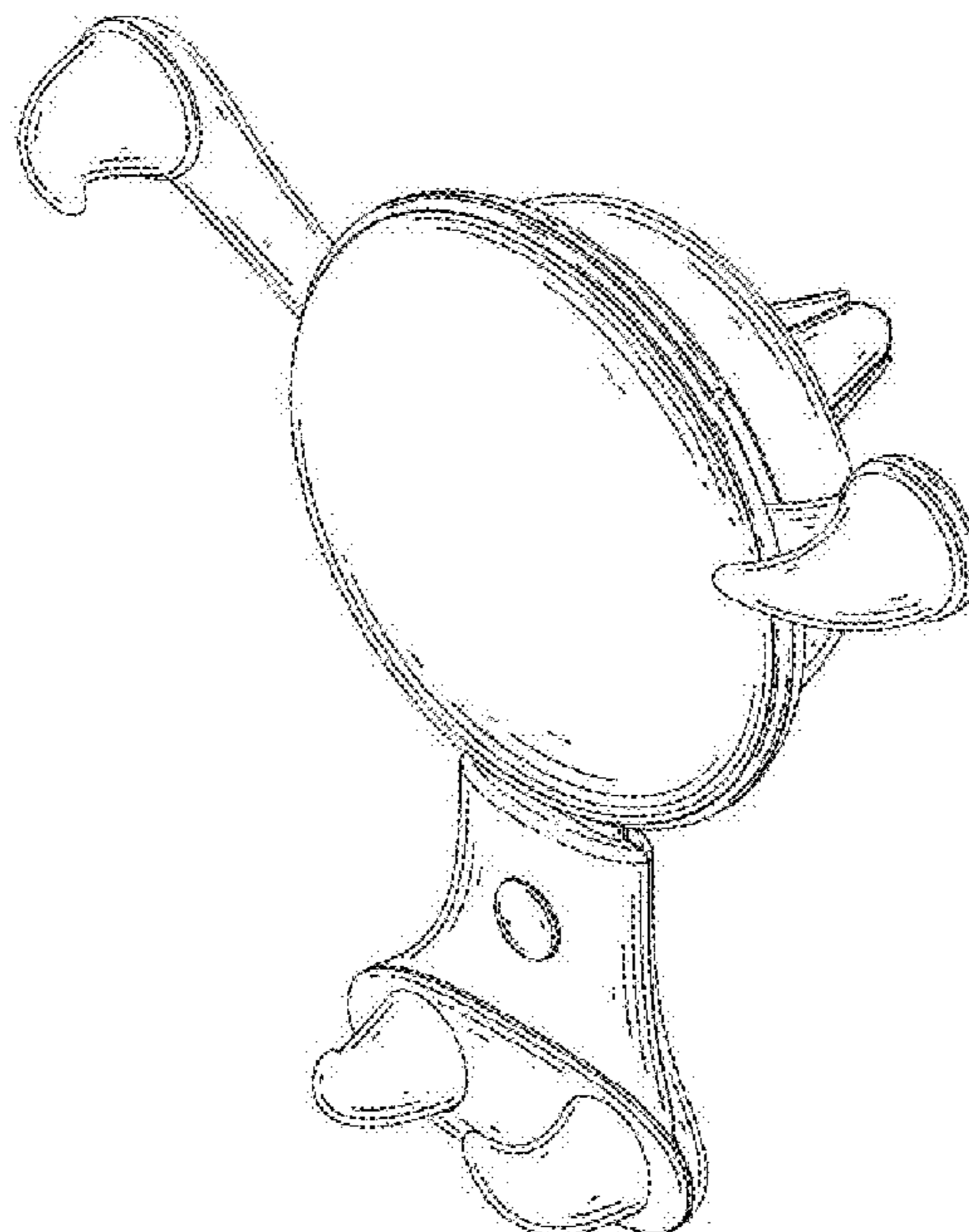
(57) **CLAIM**

I claim the ornamental design for a bracket for radio sets for vehicles, as shown and described.

**DESCRIPTION**

FIG. 1 is a perspective view of a bracket for radio sets for vehicles showing my new design;  
FIG. 2 is another perspective view thereof;  
FIG. 3 is a front elevational view  
FIG. 4 is a rear elevational view thereof;  
FIG. 5 is a left side elevational view thereof;  
FIG. 6 is a right side elevational view thereof;  
FIG. 7 is a top plan view thereof; and,  
FIG. 8 is a bottom plan view thereof.  
The broken line show portions of the article not claimed and form no part of the claimed design.

**1 Claim, 8 Drawing Sheets**



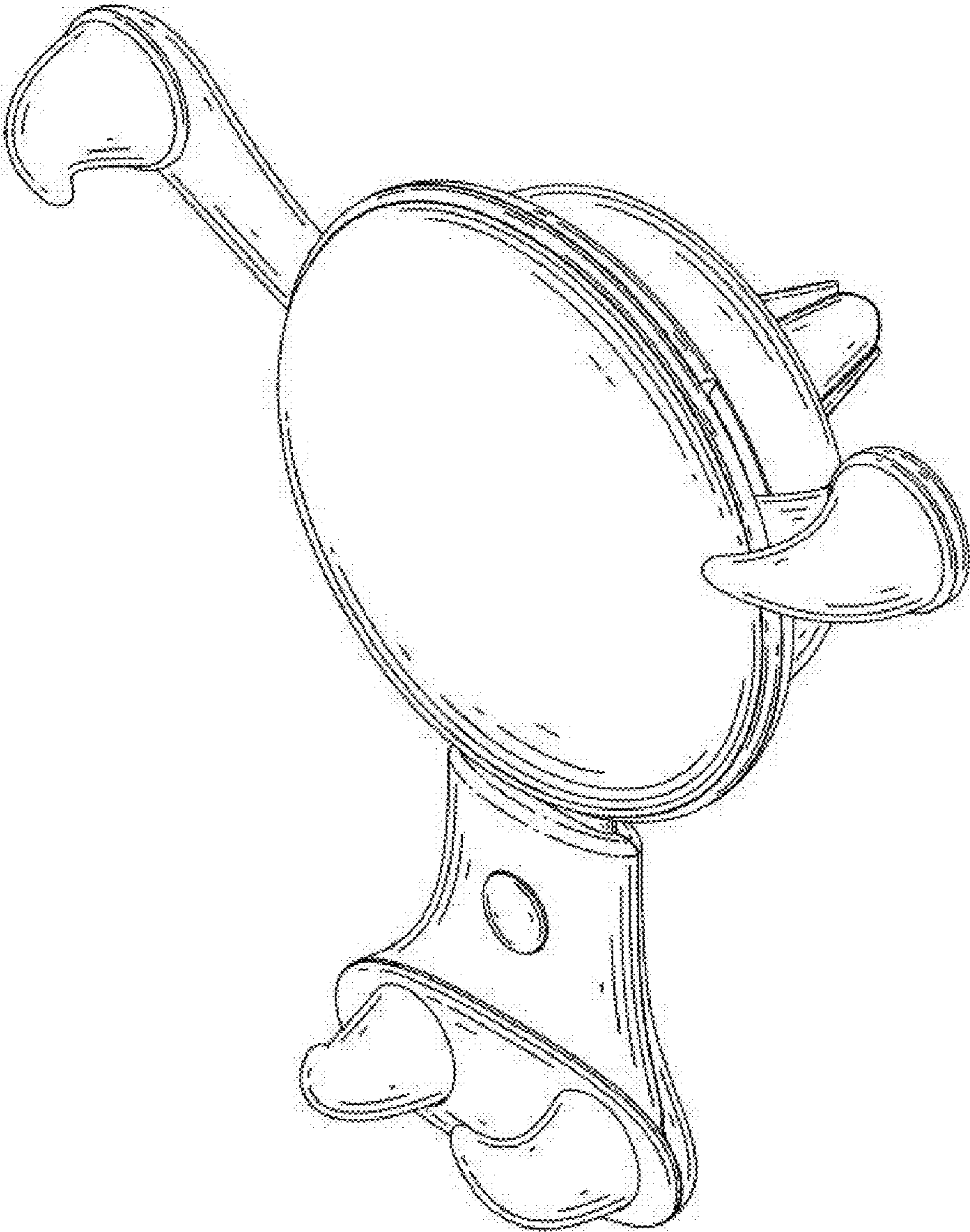


FIG.1

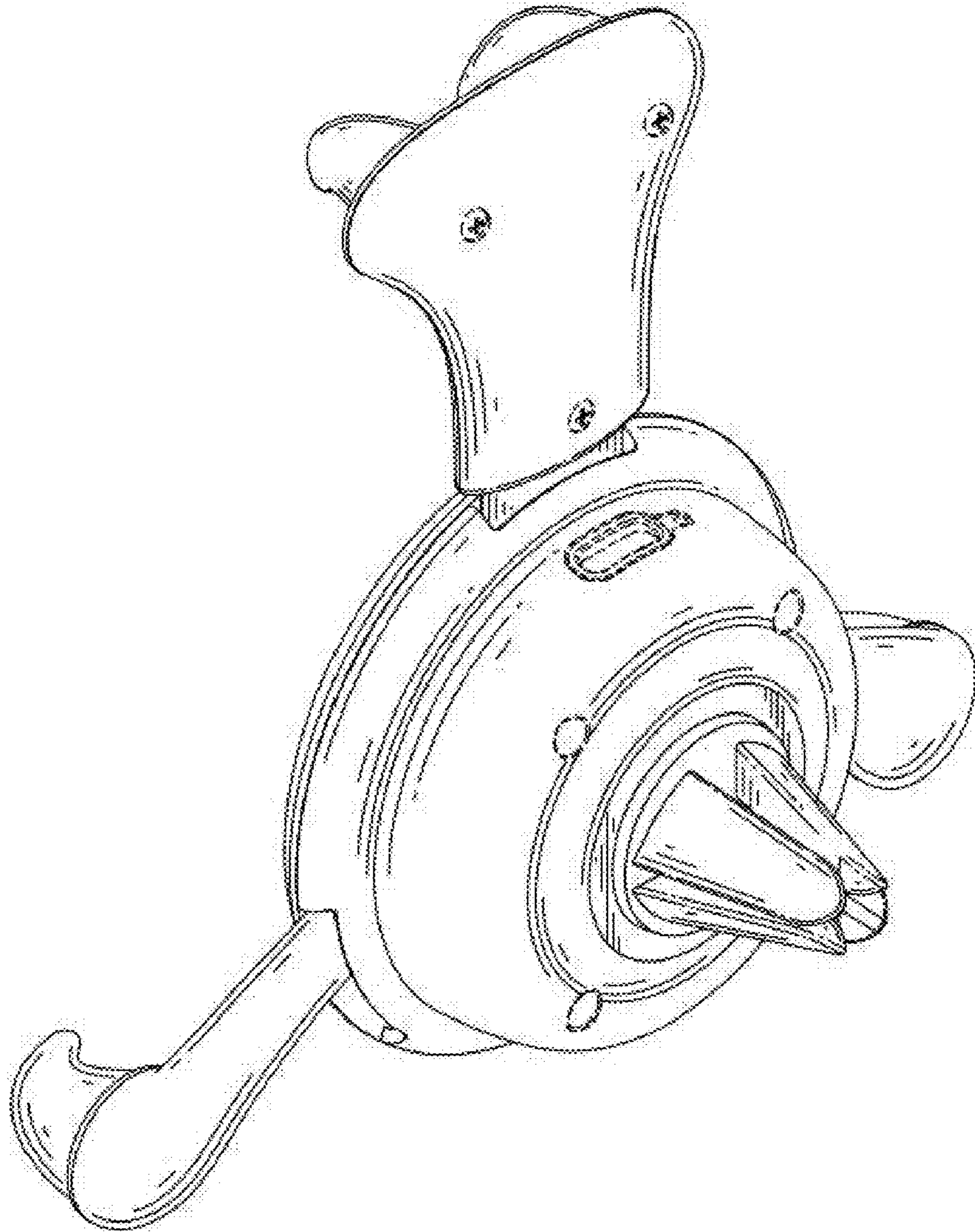


FIG.2

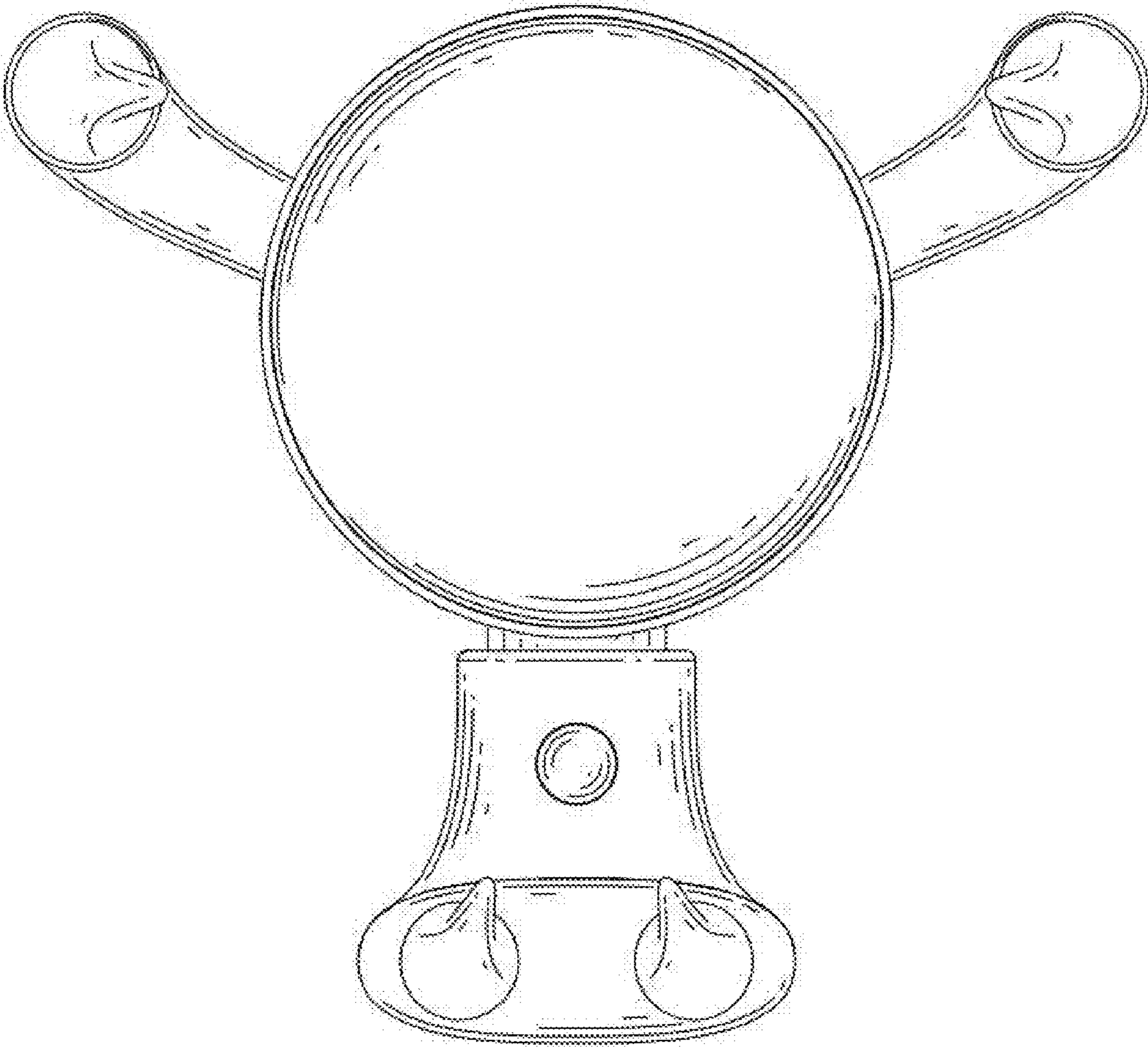


FIG.3

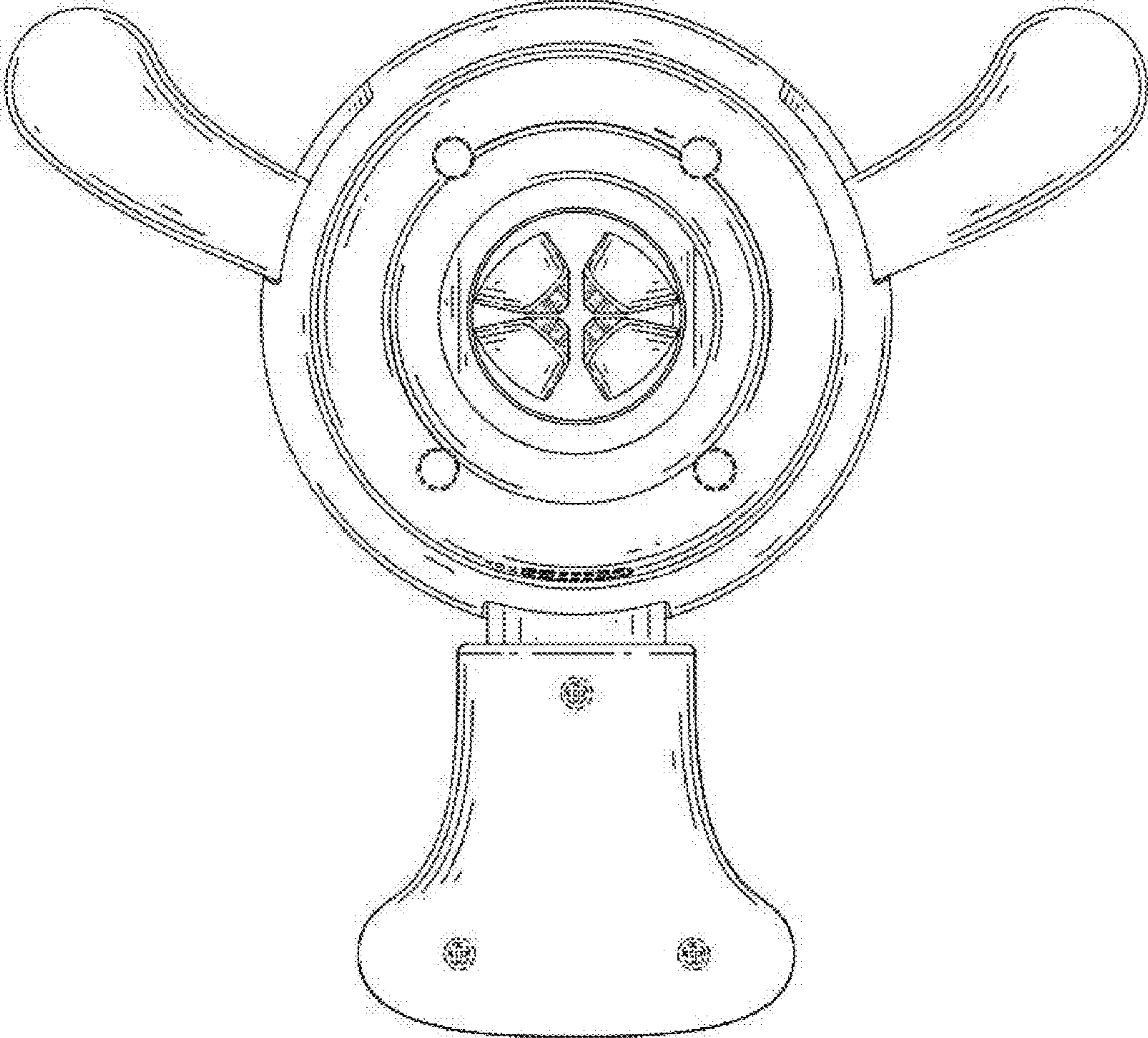


FIG.4

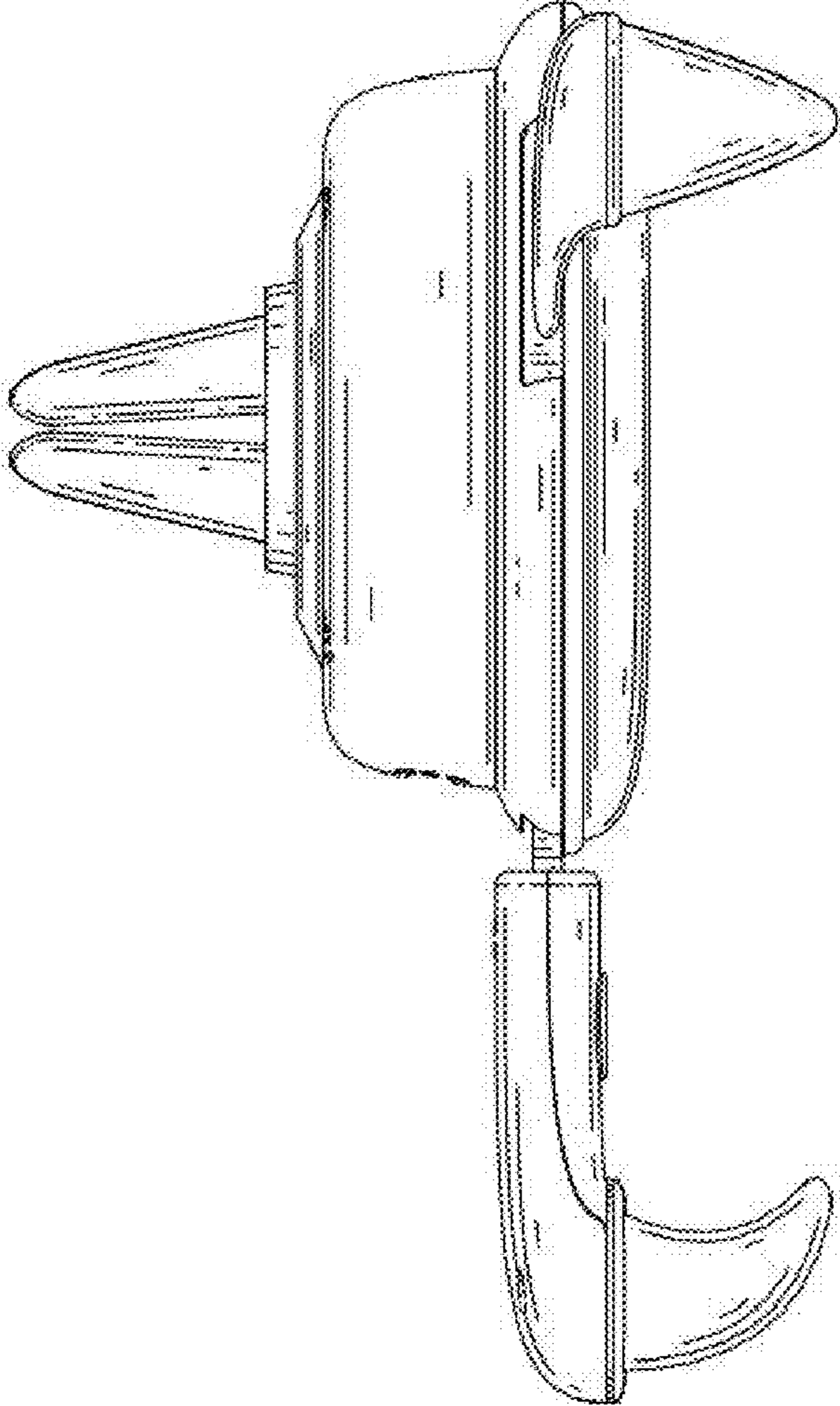


FIG.5

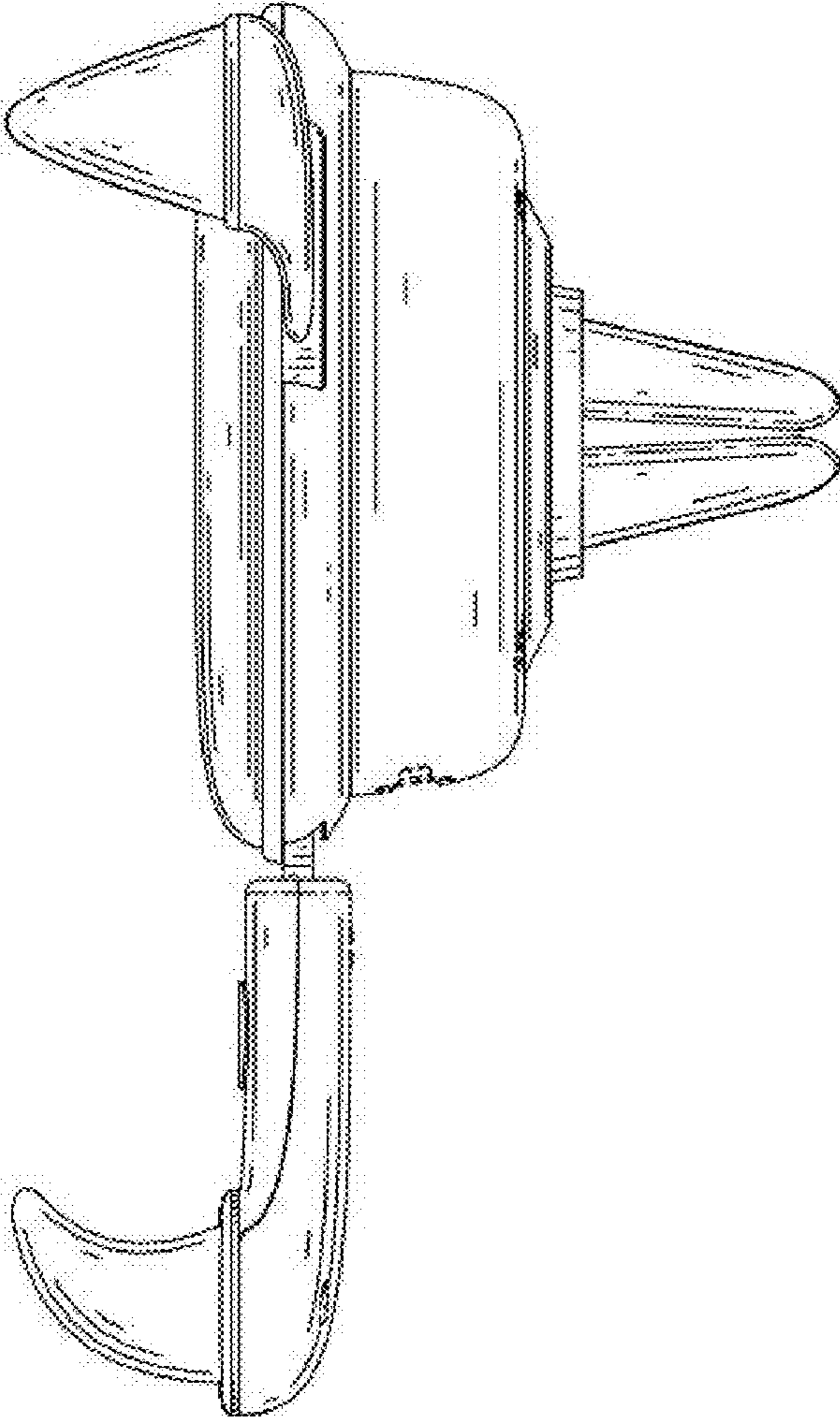


FIG.6

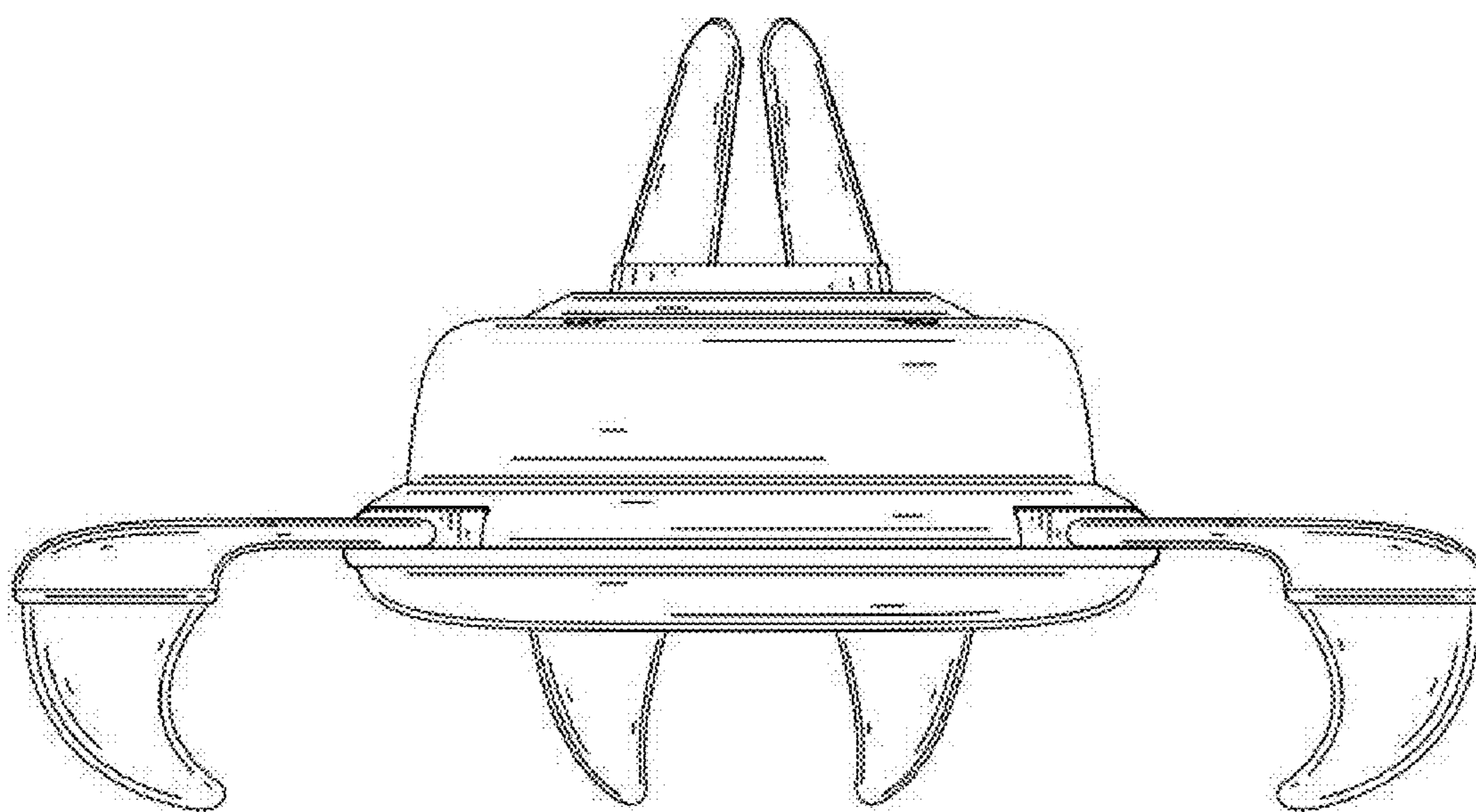


FIG. 7



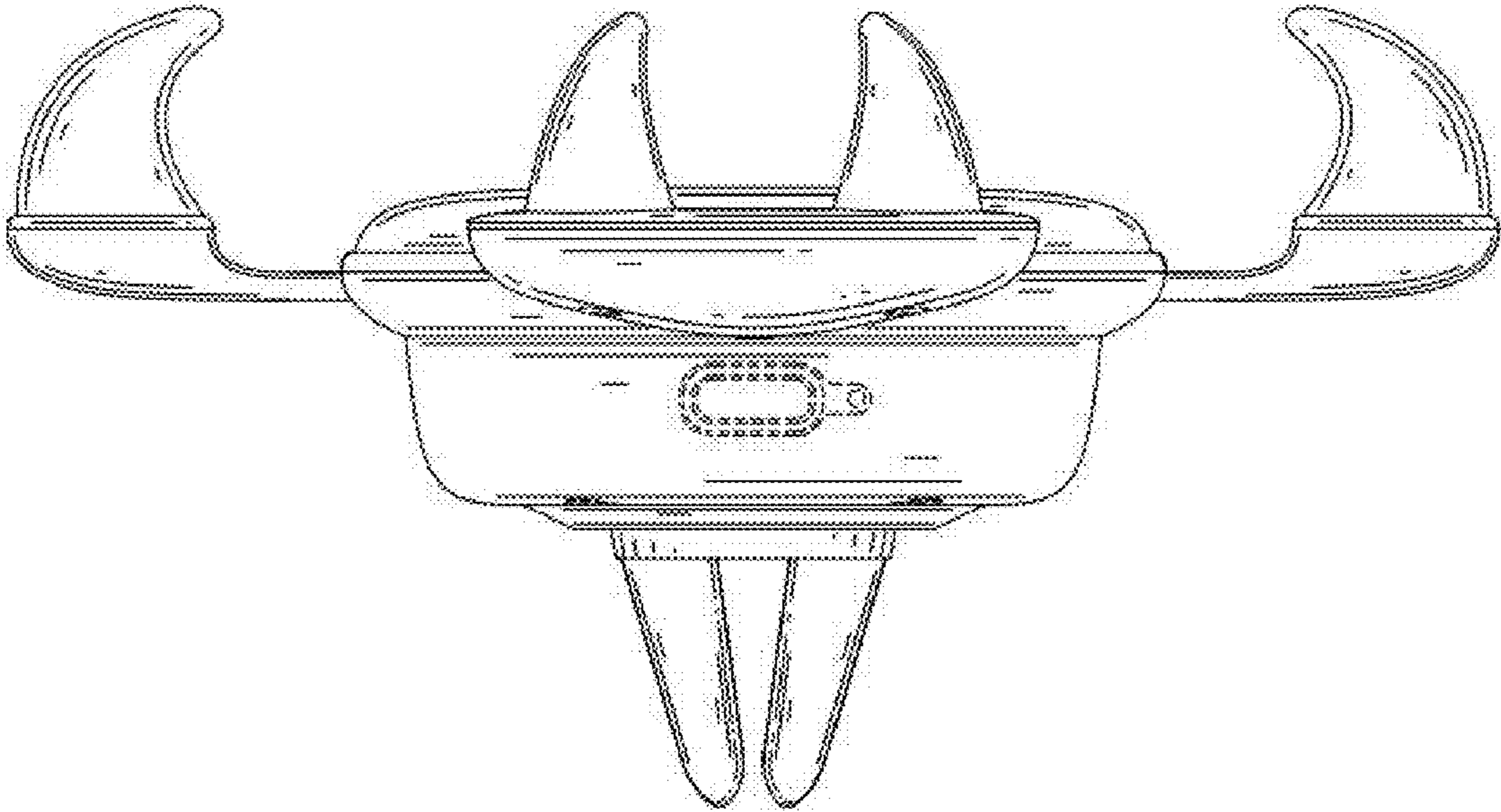


FIG.8