



US00D860113S

(12) **United States Design Patent** (10) **Patent No.:** **US D860,113 S**  
**Everett et al.** (45) **Date of Patent:** **\*\* Sep. 17, 2019**

(54) **LUGGAGE BAG** 5,904,230 A \* 5/1999 Peterson ..... A45C 11/20  
190/107

(71) Applicant: **Rhino Rack Australia Pty Limited,** 6,257,470 B1 \* 7/2001 Schaefer ..... B60R 9/055  
Rydalmere (AU) 224/318

(72) Inventors: **Kayle Richard Everett,** Rydalmere 6,892,912 B1 \* 5/2005 MacNeil ..... B60R 9/055  
(AU); **Christopher John Murty,** 224/318  
Rydalmere (AU) D603,157 S \* 11/2009 Hutchinson ..... D3/217  
D695,079 S \* 12/2013 Scott ..... D7/607  
D735,992 S \* 8/2015 Tucker ..... D3/274  
D822,378 S \* 7/2018 Franek ..... D3/216

(73) Assignee: **Rhino Rack Australian Pty Ltd.,** 2011/0129169 A1 \* 6/2011 Dozier ..... A45C 13/002  
Rydalmere (AU) 383/105

(\*\*) Term: **15 Years** 2013/0032260 A1 \* 2/2013 Davies ..... B64D 9/00  
150/154

(21) Appl. No.: **29/624,763**

(22) Filed: **Nov. 3, 2017**

(51) **LOC (12) Cl.** ..... **12-16**

(52) **U.S. Cl.**  
USPC ..... **D12/413**

(58) **Field of Classification Search**  
USPC ..... D3/205, 216, 217, 243, 254, 273, 276,  
D3/277, 283, 287, 289, 290, 304, 306,  
D3/309, 900, 902, 904, 246; D7/605,  
D7/607; D12/413, 414, 414.1  
CPC ..... A45C 3/001; A45C 2003/002; A45C  
2003/008; A45C 5/005; A45C 11/20;  
A45C 2003/007; A45F 4/02; B60R 9/055;  
B60R 9/058; B60R 9/048  
See application file for complete search history.

(56) **References Cited**

U.S. PATENT DOCUMENTS

D236,856 S \* 9/1975 Miller ..... D3/217  
4,779,779 A \* 10/1988 Haugland ..... B60R 9/065  
224/318  
D319,422 S \* 8/1991 Tyner ..... D12/413  
5,538,169 A \* 7/1996 Moore ..... A45C 15/00  
190/109  
D410,224 S \* 5/1999 Landy ..... D12/413

OTHER PUBLICATIONS

Amazon, "AmazonBasics Rooftop Cargo Carrier Bag . . .", First on sale Oct. 16, 2017, (<https://www.amazon.com/dp/B072ZHRDMZ/>) (Year: 2017).\*

(Continued)

*Primary Examiner* — Jennifer Rivard  
*Assistant Examiner* — April Rivas  
(74) *Attorney, Agent, or Firm* — Cooper & Dunham LLP

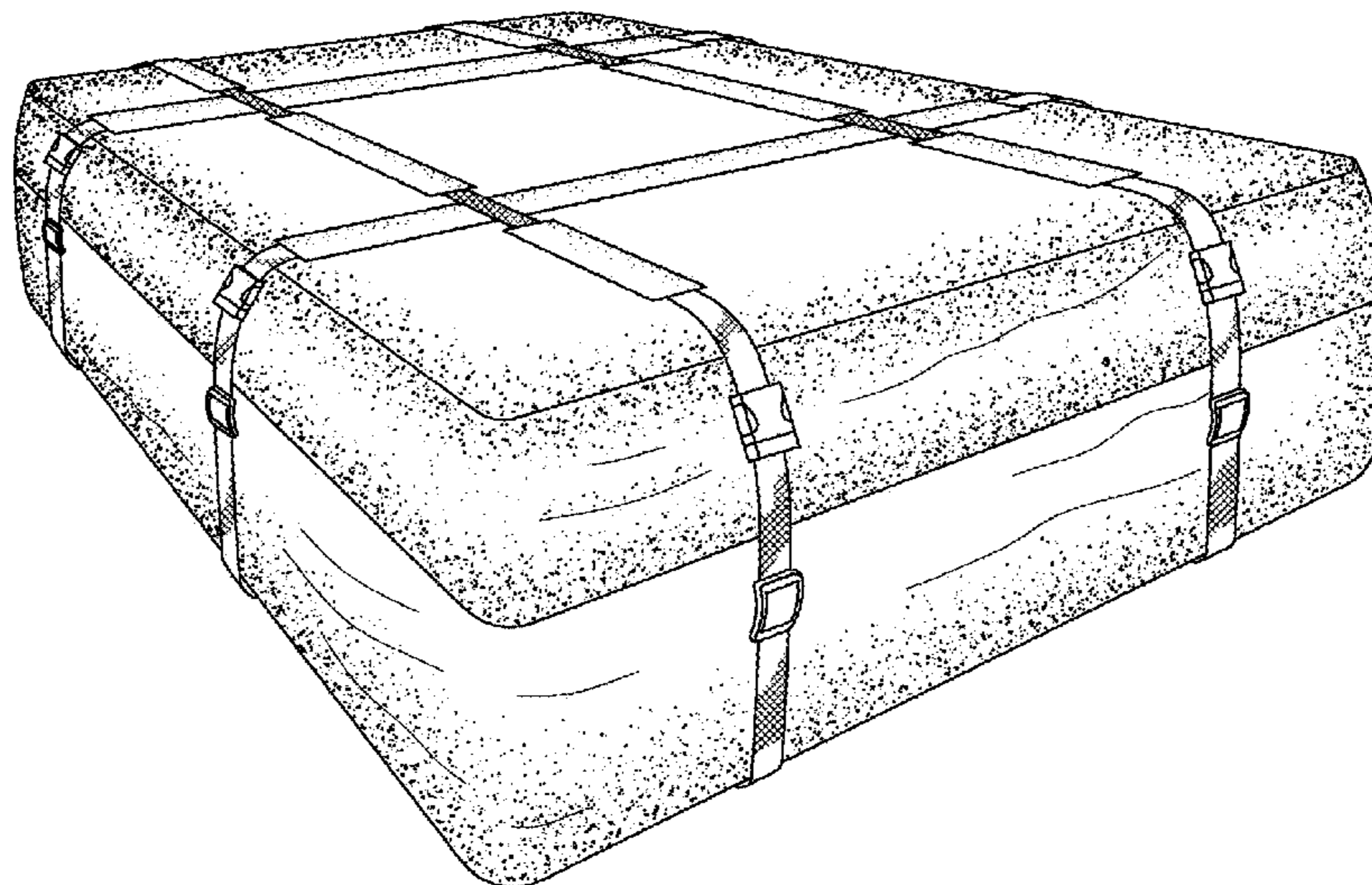
(57) **CLAIM**

We claim the ornamental design for a luggage bag, as shown and described.

**DESCRIPTION**

FIG. 1 is a front top perspective view of a luggage bag, in accordance with the present design;  
FIG. 2 is a top view of a luggage bag;  
FIG. 3 is a bottom view of the luggage bag;  
FIG. 4 is a front view of the luggage bag;  
FIG. 5 is a rear view of the luggage bag;  
FIG. 6 is a left side view of the luggage bag; and,  
FIG. 7 is a right side view of the luggage bag.  
The shading represents contour of the claimed design.

**1 Claim, 7 Drawing Sheets**



(56)

**References Cited**

OTHER PUBLICATIONS

Amazon, "RoofPax Car Roof Bag & Rooftop Cargo Carrier", First on sale Oct. 10, 2017. (<https://www.amazon.com/dp/B076C5479W/>) (Year: 2017).\*

Amazon, "Rhino-Rack USA LB600 PVC Luggage Bag", First on sale Jun. 1, 2017. (<https://www.amazon.com/gp/product/B071JBMCRS>) (Year: 2017).\*

\* cited by examiner

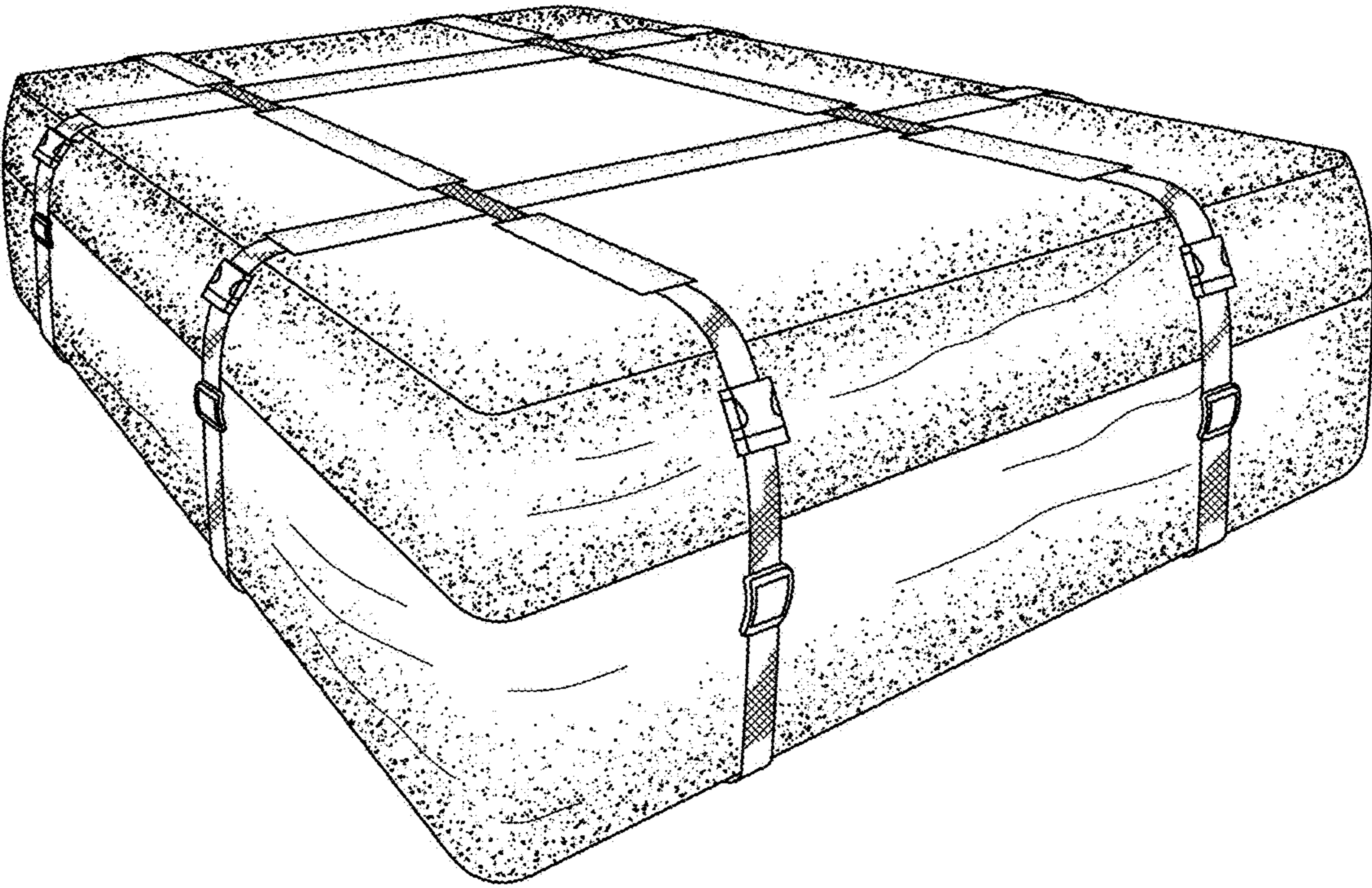


FIGURE 1

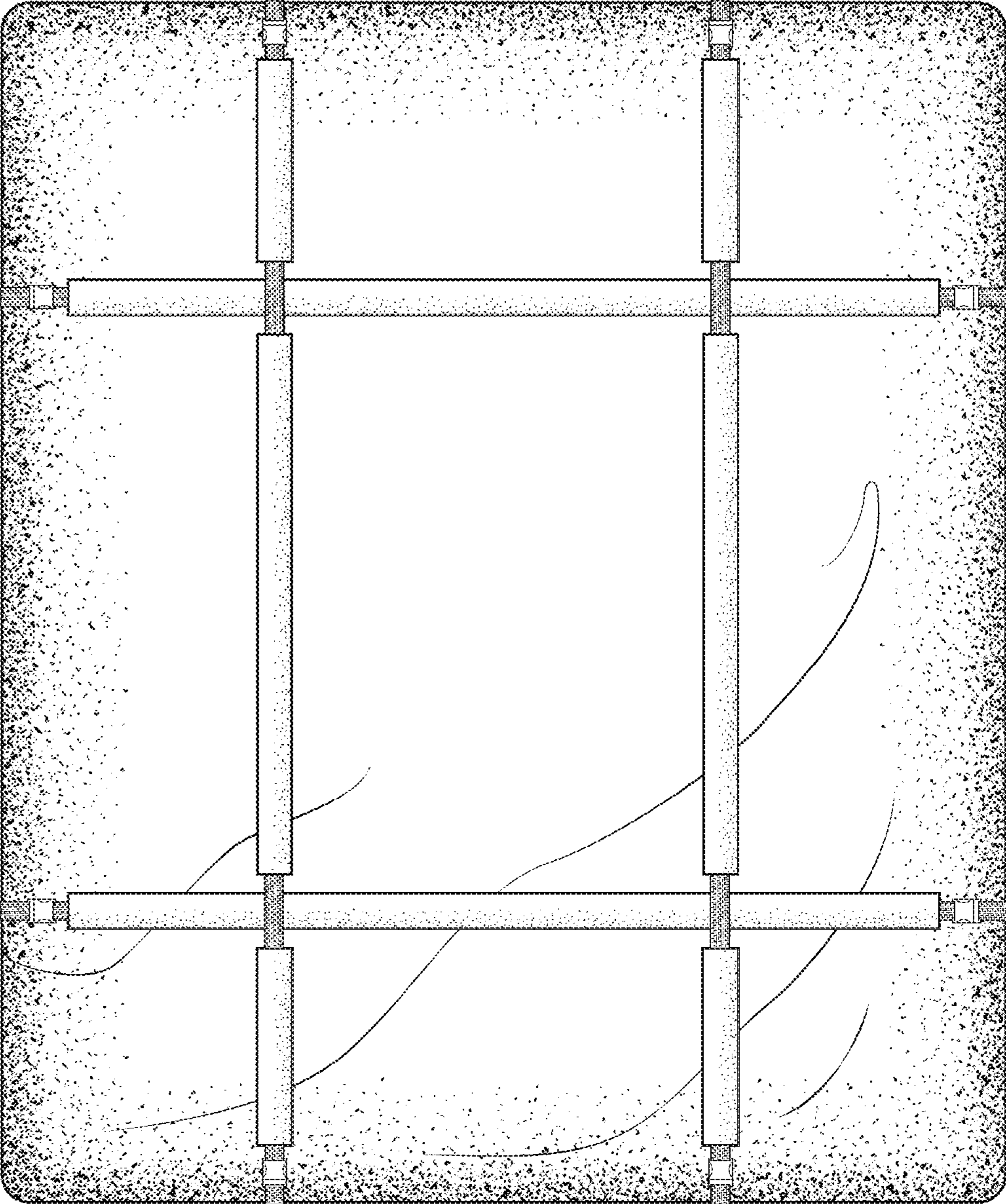


FIGURE 2

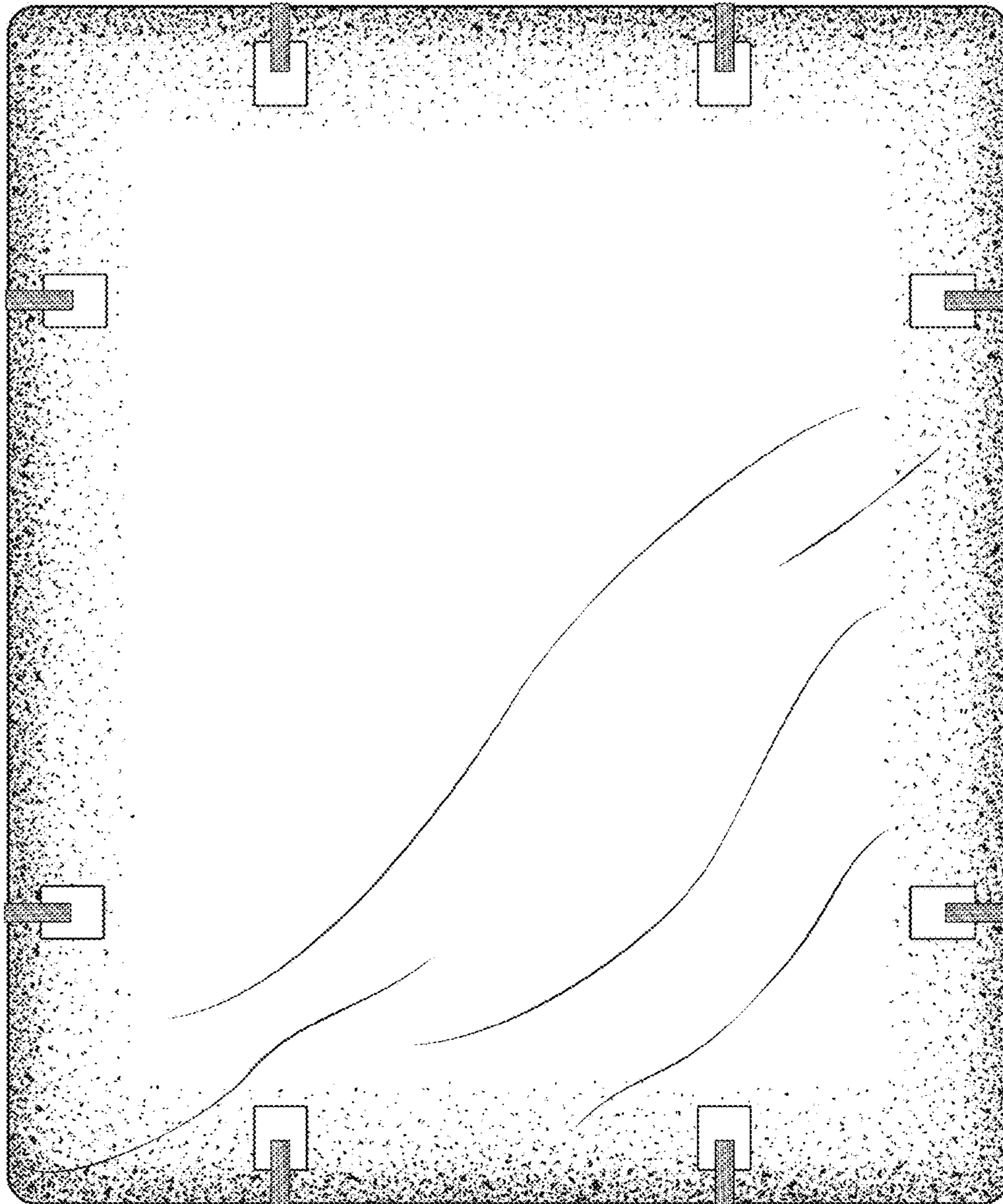


FIGURE 3

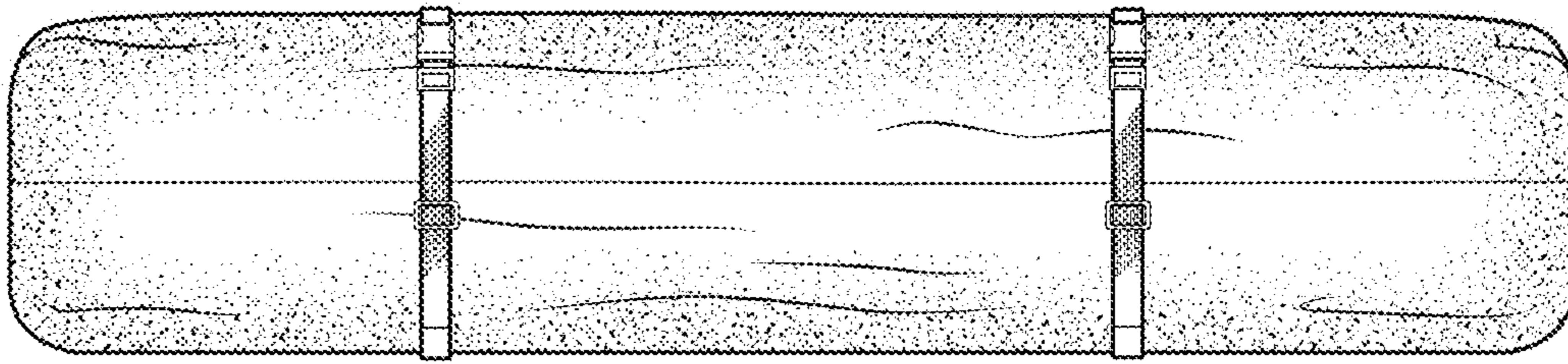


FIGURE 4

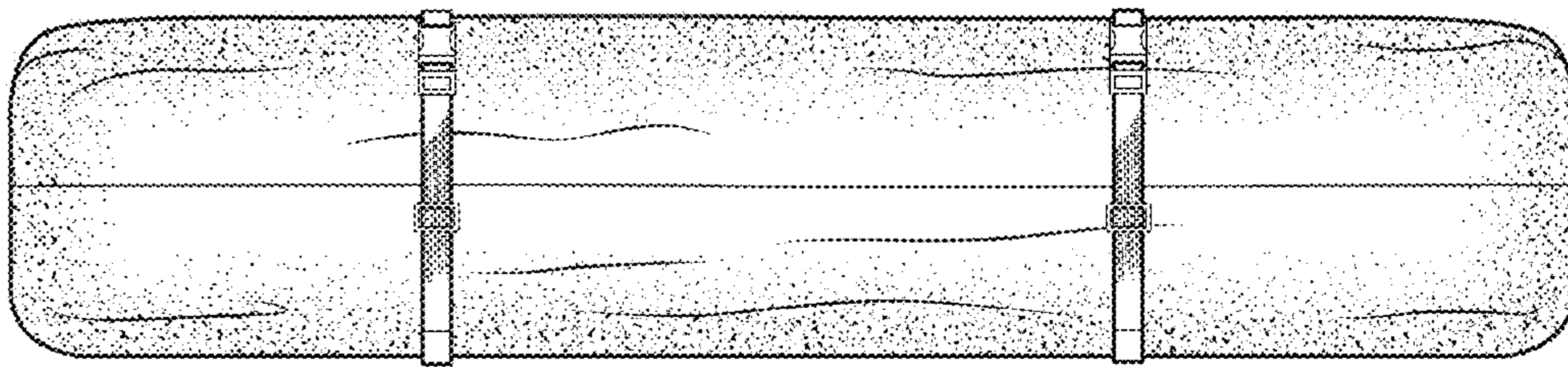


FIGURE 5

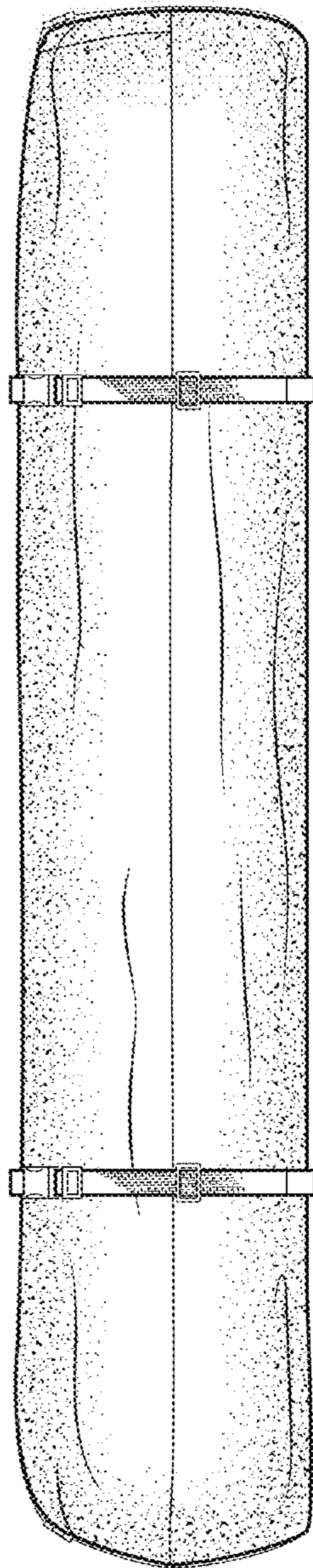


FIGURE 6



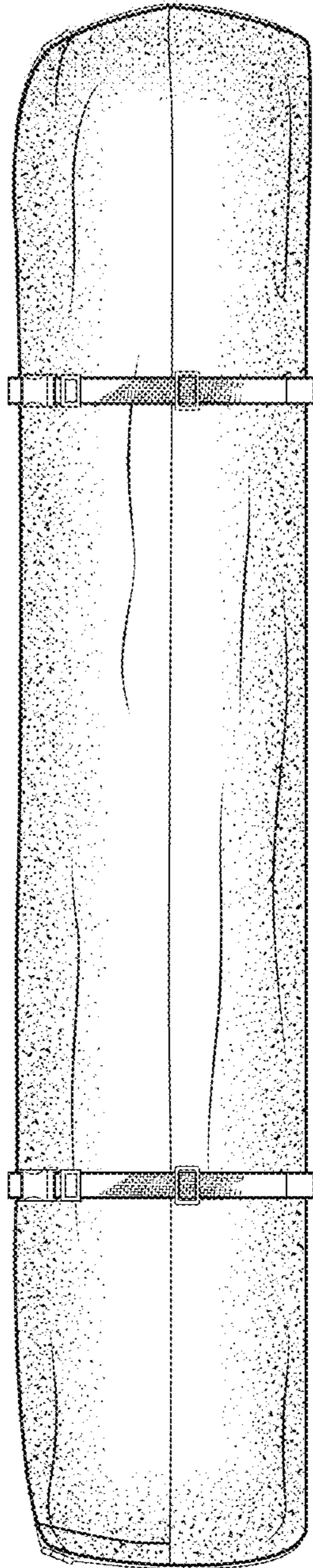


FIGURE 7