

US00D860112S

(12) **United States Design Patent**
Koerth

(10) **Patent No.:** **US D860,112 S**
(45) **Date of Patent:** **** Sep. 17, 2019**

(54) **PAD FOR SUPPORTING A RECREATIONAL BOARD**

(71) Applicant: **LACKS HOME PRODUCTS**,
Kentwood, MI (US)
(72) Inventor: **Aaron Koerth**, Hudsonville, MI (US)
(73) Assignee: **Lacks Home Products**, Kentwood, MI
(US)
(**) Term: **15 Years**

(21) Appl. No.: **29/613,628**

(22) Filed: **Aug. 11, 2017**

(51) **LOC (12) Cl.** **12-16**

(52) **U.S. Cl.**
USPC **D12/406**; D12/317; D12/400

(58) **Field of Classification Search**
USPC D21/772, 840; D8/1, 349, 388, 391, 392,
D8/300, 301, 302, 321; D25/121, 126,
D25/131, 113, 118, 119, 120, 122, 123,
D25/124, 132, 133, 199; D26/138;
D12/233, 317, 107, 110, 114, 115, 117,
D12/126, 400, 406, 410, 412, 414, 420
CPC B62B 35/71; E04H 15/06; B60R 1/025;
B60R 1/08; B62H 5/001; B62J 9/006;
B65D 43/16; B65D 43/22; B65D 55/02;
F21S 48/00; F21S 8/04; F21S 8/06; F21S
8/063; F21S 8/031; F21S 8/038; F21S
8/066; F21S 4/00; F21S 4/28; G01S
13/931; G02B 6/0055; G02B 6/0011;
F21V 7/0008; F21V 7/0016; F21Y
2101/00; F21Y 2103/00

See application file for complete search history.

(56) **References Cited**

U.S. PATENT DOCUMENTS

D301,084 S * 5/1989 Mathews D11/200
D302,748 S * 8/1989 Dubeck D29/122
D316,535 S * 4/1991 Fenn D12/400

(Continued)

OTHER PUBLICATIONS

Available Feb. 25, 2019, [online], [site visited Feb. 25, 2019].
Available from Internet, <URL:https://latulippe.com/en/product/
451957/foam-block-for-canoe-support-rail/> (Year: 2019).*

(Continued)

Primary Examiner — Cathron C Brooks

Assistant Examiner — Katrina N Gonzalez

(74) *Attorney, Agent, or Firm* — John S. Artz; Dickinson
Wright PLLC

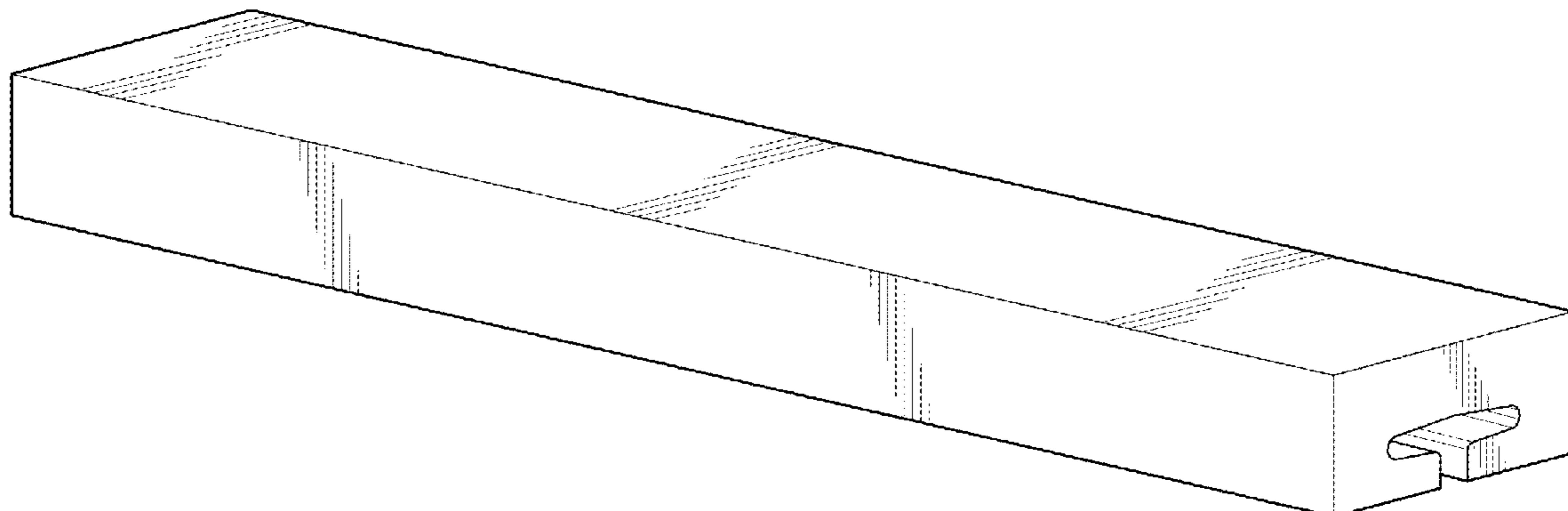
(57) **CLAIM**

The ornamental design for a pad for supporting a recre-
ational board, as shown and described.

DESCRIPTION

FIG. 1 is a perspective view of a pad for supporting a
recreational board illustrating an example environment of
the pad for supporting a recreational board;
FIG. 2 is a perspective view of the pad for supporting a
recreational board;
FIG. 3 is a front view of the pad for supporting a recreational
board;
FIG. 4 is a left side of the pad for supporting a recreational
board;
FIG. 5 is a right side view of the pad for supporting a
recreational board;
FIG. 6 is a back view of the pad for supporting a recreational
board;
FIG. 7 is a top view of the pad for supporting a recreational
board; and,
FIG. 8 is a bottom view of the pad for supporting a
recreational board.
The broken lines shown in FIG. 1 illustrate environmental
structure that forms no part of the claimed design.

1 Claim, 4 Drawing Sheets



(56)

References Cited

U.S. PATENT DOCUMENTS

D369,391	S	*	4/1996	Jump, Jr.	D21/685
D393,827	S	*	4/1998	Taylor	D12/400
D433,307	S	*	11/2000	Hickman	D8/302
D802,516	S	*	11/2017	Stuart	D12/317
D807,274	S	*	1/2018	DeGiule	D12/400
2017/0191649	A1	*	7/2017	Zhang	F21V 23/06

OTHER PUBLICATIONS

Available Feb. 25, 2019, [online], [site visited Feb. 25, 2019]. Available from Internet, <URL:https://seatosummitusa.com/products/traveller-soft-racks> (Year: 2019).*

Available Feb. 25, 2019, [online], [site visited Feb. 25, 2019]. Available from Internet, <URL:https://www.footstake.com/products/footstake/> (Year: 2019).*

Available Feb. 25, 2019, [online], [site visited Feb. 25, 2019]. Available from Internet, <URL:https://www.basspro.com/shop/en/omc-outdoor-non-skid-canoe-foam-block> (Year: 2019).*

Available Sep. 5, 2015, [online], [site visited Feb. 25, 2019]. Available from Internet, <URL:https://www.amazon.com/Malone-Deluxe-Block-Universal-Carrier/product-reviews/B000OZJCO6/ref=cm_cr_arp_d_viewopt_srt?ie=UTF8&reviewerType=all_reviews&sortBy=recent&pageNumber=1> (Year: 2015).*

Available Jun. 19, 2018, [online], [site visited Feb. 25, 2019]. Available from Internet, <URL:https://www.amazon.com/Swiss-Cargo-Canoe-Block-Carrier/dp/B075ZYSC6C> (Year: 2018).*

Available Feb. 25, 2019, [online], [site visited Feb. 25, 2019]. Available from Internet, <URL:https://salamanderpaddlegear.com/product/sup-deluxe-rooftop-carrier-blocks-universal> (Year: 2019).*

Available 2008, [online], [site visited Feb. 25, 2019]. Available from Internet, <URL:https://www.mec.ca/en/product/4005-396/Foam-Canoe-Block> (Year: 2008).*

Available Feb. 25, 2019, [online], [site visited Feb. 25, 2019]. Available from Internet, <URL:https://www.alibaba.com/product-detail/EVA-foam-block-Cartop-kayak-carrier_60393632077.html?spm=a2700.7724857.normalList.36.69506d9949W7OL> (Year: 2019).*

Available Jun. 2, 2016, [online], [site visited Mar. 3, 2019]. Available from internet, <URL:https://www.infinitytools.com/t-track-miter-track> (Year: 2016).*

(Via YouTube), available May 18, 2017, [online], [site visited Apr. 13, 2019]. Available from Internet, <URL:https://www.youtube.com/watch?v=miJtvpDPxxA> (Year: 2017).*

Available Apr. 13, 2019, [online], [site visited Apr. 13, 2019]. Available from Internet, <URL:http://www.tradesparq.com/products/2129977/T-Slatwall-Channel-CNC-Router-Cutter-Bits-for-Slat-Wall-T-Slot-Cutting-manufacturers> (Year: 2019).*

* cited by examiner

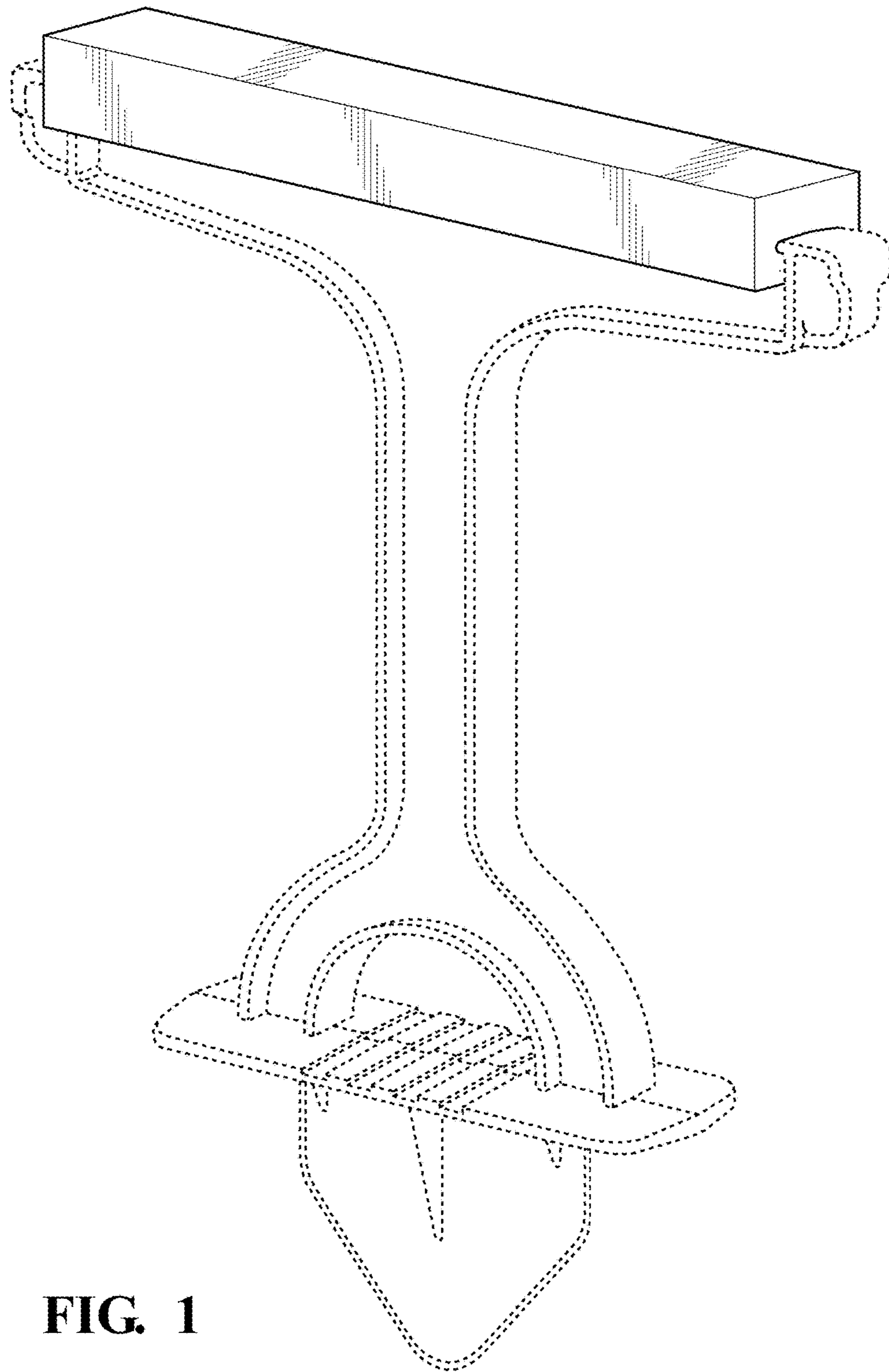


FIG. 1

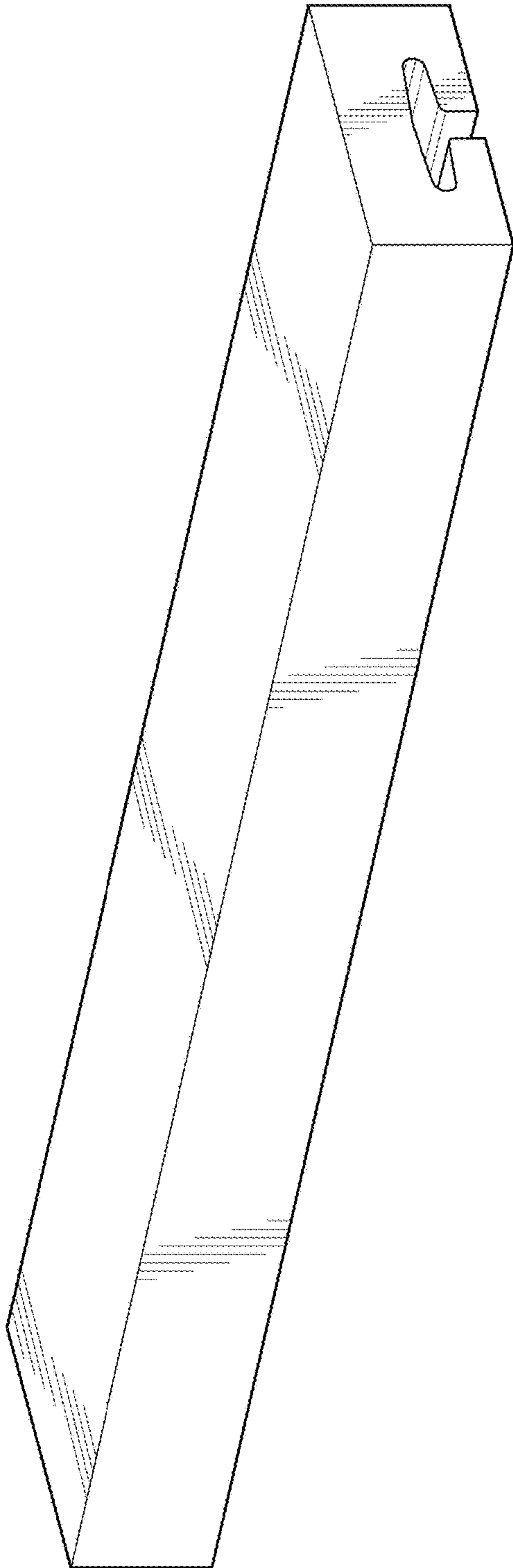


FIG. 2



FIG. 3

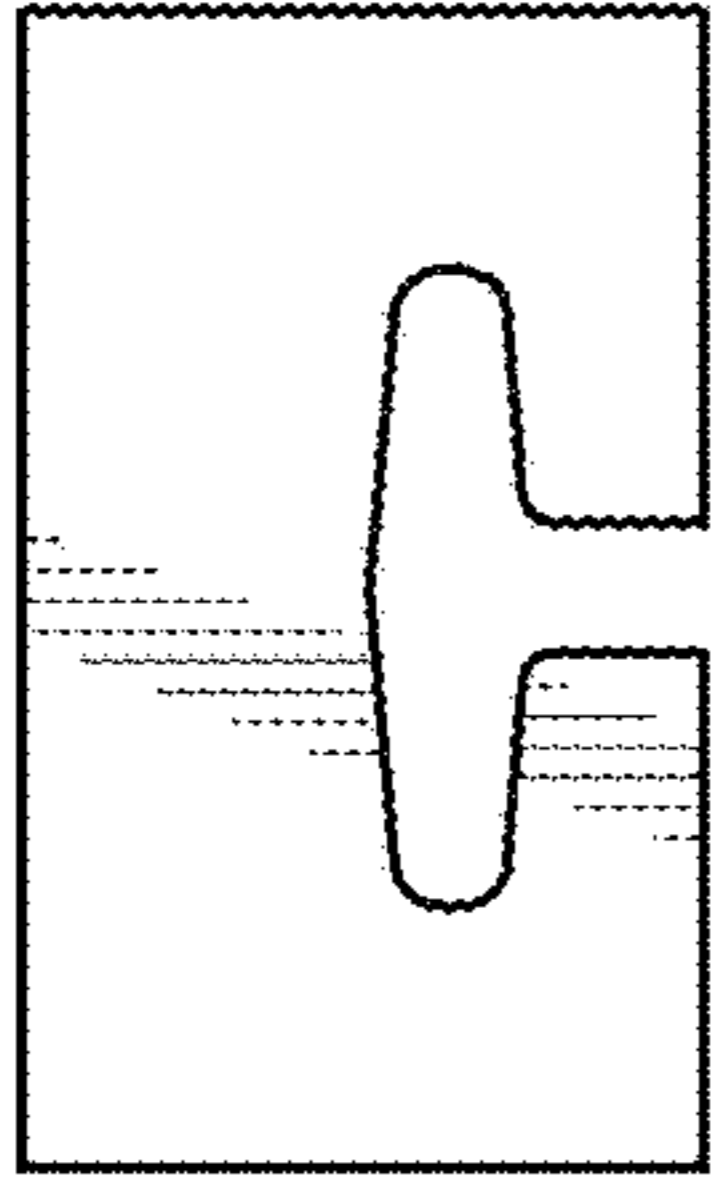


FIG. 5

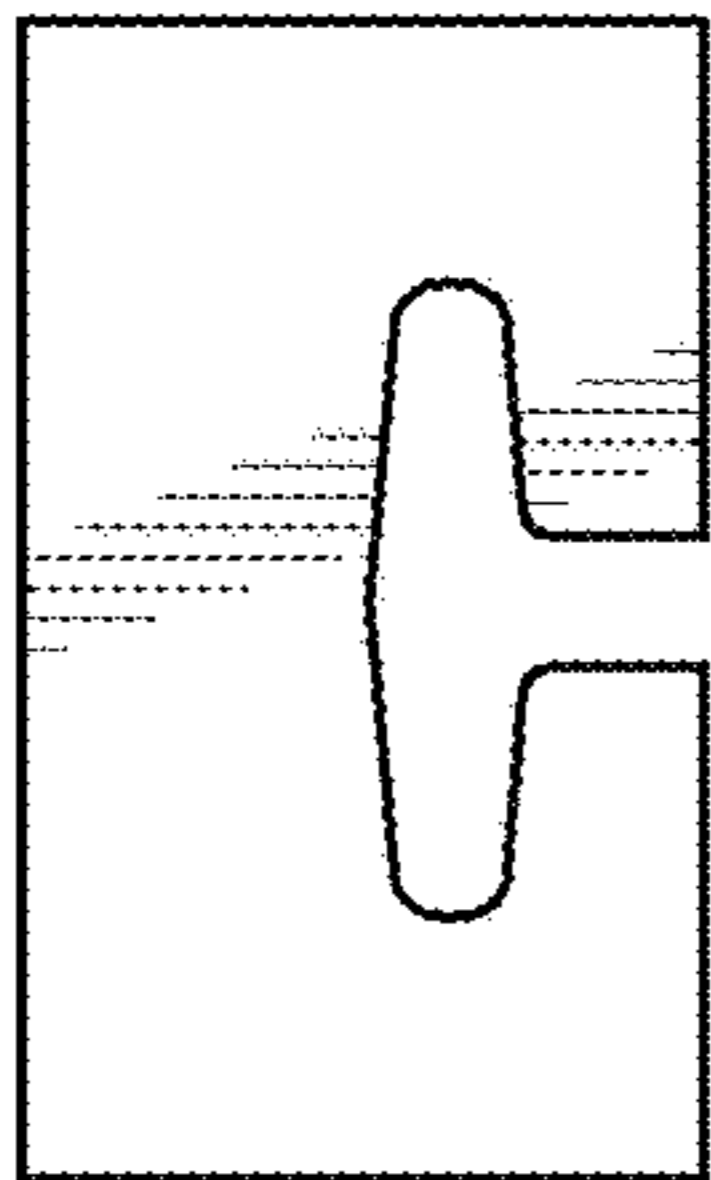


FIG. 4



FIG. 6

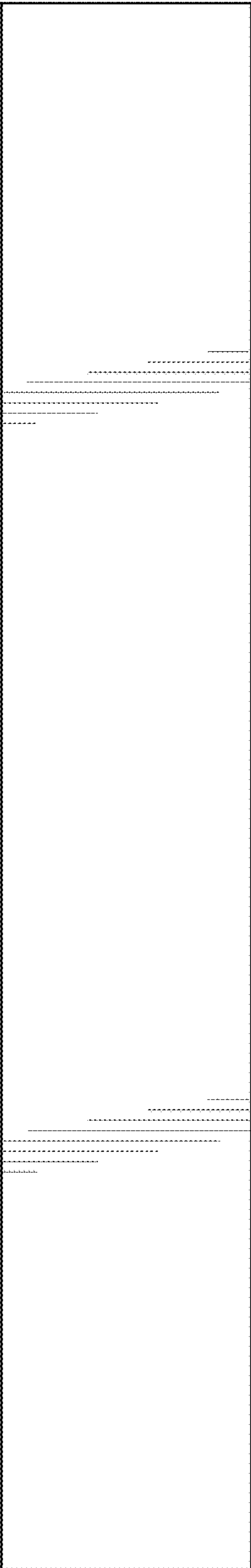


FIG. 7

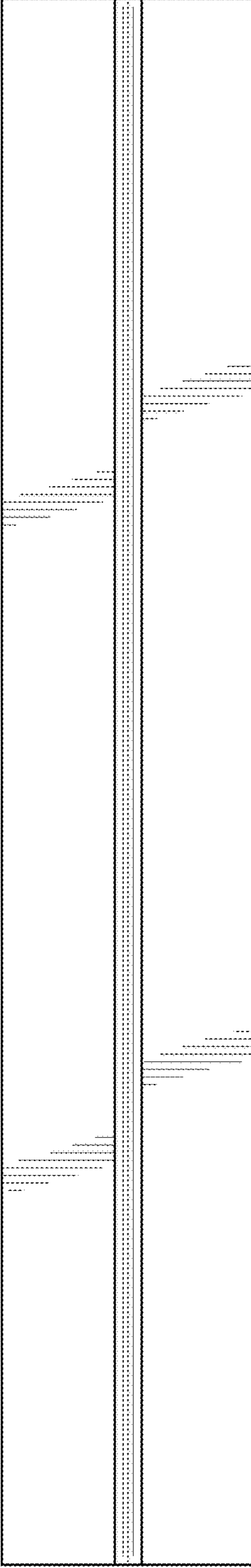


FIG. 8