



US00D860111S

(12) **United States Design Patent**  
**Davis et al.**

(10) **Patent No.:** **US D860,111 S**  
(45) **Date of Patent:** **\*\* Sep. 17, 2019**

(54) **SPRING CAP**

(71) Applicant: **Barnes Group Inc.**, Bristol, CT (US)  
(72) Inventors: **Joaquin G. Davis**, Maumee, OH (US);  
**Thomas J. Fischer**, Whitehouse, OH (US); **Matthew B. Kennedy**, Corry, PA (US); **Kimberly M. Richards**, Saline, MI (US)  
(73) Assignee: **Barnes Group Inc.**, Bristol, CT (US)  
(\*\*) Term: **15 Years**  
(21) Appl. No.: **29/636,115**

(22) Filed: **Feb. 6, 2018**

(51) **LOC (12) Cl.** ..... **12-16**

(52) **U.S. Cl.**  
USPC ..... **D12/400**; D12/345

(58) **Field of Classification Search**  
USPC ..... D7/300, 300.1, 313, 314, 316, 387, 393, D7/396.1, 396.2, 396, 397, 398, 401.1, D7/509, 510, 511, 523, 525, 526, 527, D7/528, 538, 536, 602, 619.1, 900; D9/414-438, 449, 452, 453, 454, 457, D9/499, 682, 685, 686, 688, 723, 724, D9/763, 772; D19/34.1, 162, 163, 164, D19/165, 192, 194; D24/121, 127, 194, D24/196, 224; D8/300, 303, 310, 330, D8/354, 356, 382, 396; D23/206, 209, D23/259, 260, 365; D12/174, 345, 400  
CPC ..... A47G 19/22; A47G 19/2205; A47G 19/2222; A47G 19/2266; A47G 19/2272; A47G 19/2294; B65D 51/18; B65D 51/28; B65D 51/242; B65D 51/2814; B65D 51/2821; B65D 2101/0046; B65D 21/0228; B65D 41/3447; B65D 1/0246; A47J 43/27

See application file for complete search history.

(56) **References Cited**

U.S. PATENT DOCUMENTS

D116,858	S	*	9/1939	Martin	.....	D8/DIG. 2
D149,191	S	*	4/1948	Krause	.....	D7/393
D261,349	S	*	10/1981	Ryser	.....	D7/393
D279,759	S	*	7/1985	Cesaroni	.....	D7/391
D284,444	S	*	7/1986	Baumgarten	.....	D7/393
D376,726	S	*	12/1996	Rohrer	.....	D7/393
5,584,414	A	*	12/1996	Neubeck	.....	A47J 36/06 16/431
D390,462	S	*	2/1998	Mao	.....	D9/435
D440,154	S	*	4/2001	Ricard	.....	D9/436
D450,582	S	*	11/2001	Adams	.....	D9/438
D462,256	S	*	9/2002	Jaynes	.....	D12/160
D498,414	S	*	11/2004	Yoneoka	.....	D8/382
D514,375	S	*	2/2006	Montano	.....	D7/391
D518,353	S	*	4/2006	Van Handel	.....	D8/300

(Continued)

OTHER PUBLICATIONS

Retainer Cap for Valve Spring Load: Announced Apr. 24, 2016 [online]. Site Visited [May 8, 2019]. Available from Internet URL: <http://www.federalmogul.com/en-US/OE/Products/Pages/Product-Details.aspx?CategoryId=48&SubCategoryId=192&ProductId=841>.\*

(Continued)

*Primary Examiner* — Jennifer Rivard  
*Assistant Examiner* — Catherine S Posthauer  
(74) *Attorney, Agent, or Firm* — Fay Sharpe LLP

(57) **CLAIM**

The ornamental design for a spring cap, as shown and described.

**DESCRIPTION**

FIG. 1 is a top perspective view of a spring cap showing our new design;  
FIG. 2 is a side elevation view thereof;

(Continued)

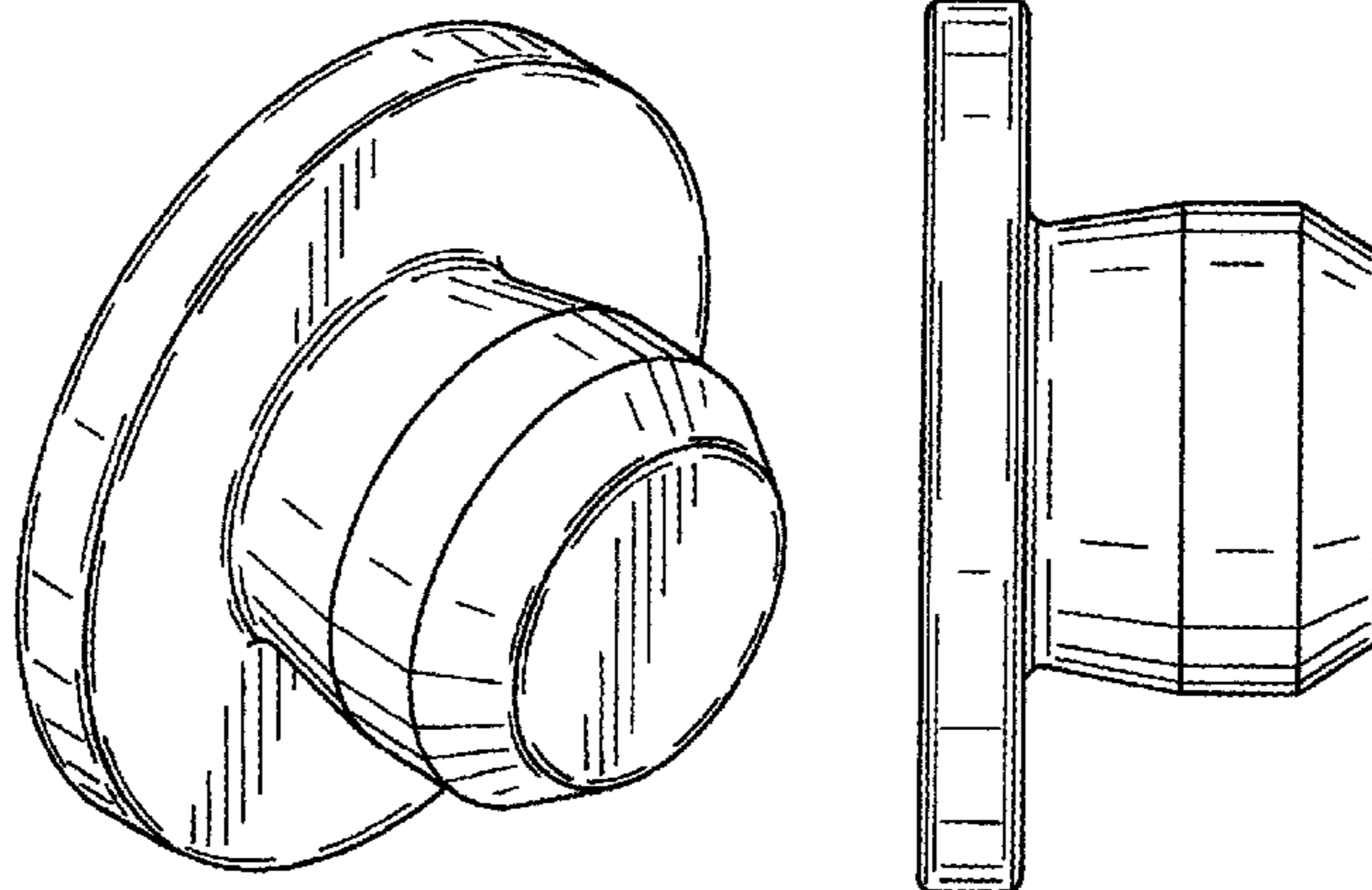


FIG. 3 is a back elevation view thereof; and,  
 FIG. 4 is a top plan view of the spring cap of FIG. 1.

**1 Claim, 2 Drawing Sheets**

D784,084	S	*	4/2017	Bartlett	.....	D7/511
D787,263	S	*	5/2017	Baron	.....	D7/391
D795,063	S	*	8/2017	Arriaga	.....	D9/436
D824,237	S	*	7/2018	Gregory	.....	D8/311
D837,346	S	*	1/2019	Lee	.....	D23/262
2006/0116694	A1	*	6/2006	Hogan	.....	A45D 34/04 606/131

(56)

**References Cited**

U.S. PATENT DOCUMENTS

D519,835	S	*	5/2006	Dubs	.....	D9/438
D524,097	S	*	7/2006	Magnouloux	.....	D7/393
D554,469	S	*	11/2007	Sato	.....	D8/310
D560,964	S	*	2/2008	Hoff	.....	D7/393
D565,927	S	*	4/2008	Krumpe	.....	D8/310
D597,816	S	*	8/2009	Thompson	.....	D8/300
D598,755	S	*	8/2009	Bull	.....	D9/454
D608,141	S	*	1/2010	Sanders	.....	D7/300.1
D611,296	S	*	3/2010	Ingman	.....	D7/392.1
D653,521	S	*	2/2012	Wike	.....	D8/310
D674,273	S	*	1/2013	Yogev	.....	D8/382

OTHER PUBLICATIONS

Hangar Piper Steel Spring Cap: Site Visited [May 8, 2019]. Available from Internet URL: <http://www.hangar111.com/shop/lotus-exige-s1-engine-tuning-parts/253-elise-exige-k-series-piper-steel-spring-cap-set-for-solid-followers.html>.\*

GKN Replacement Spring Cap: Site Visited [May 23, 2019]. Available from Internet URL: [https://shop.broncograveyard.com/GKN-Replacement-Spring-Cap/productinfo/92485/?gclid=CjwKCAjwiZnnBRBQEiwAcWKfYsIOCaLtwMe0KonCm75spLjC0-0Gs\\_lxiwnJZm31pym5J2Qgr5-ZzBoCbyQQA\\_vD\\_BwE](https://shop.broncograveyard.com/GKN-Replacement-Spring-Cap/productinfo/92485/?gclid=CjwKCAjwiZnnBRBQEiwAcWKfYsIOCaLtwMe0KonCm75spLjC0-0Gs_lxiwnJZm31pym5J2Qgr5-ZzBoCbyQQA_vD_BwE).\*

\* cited by examiner

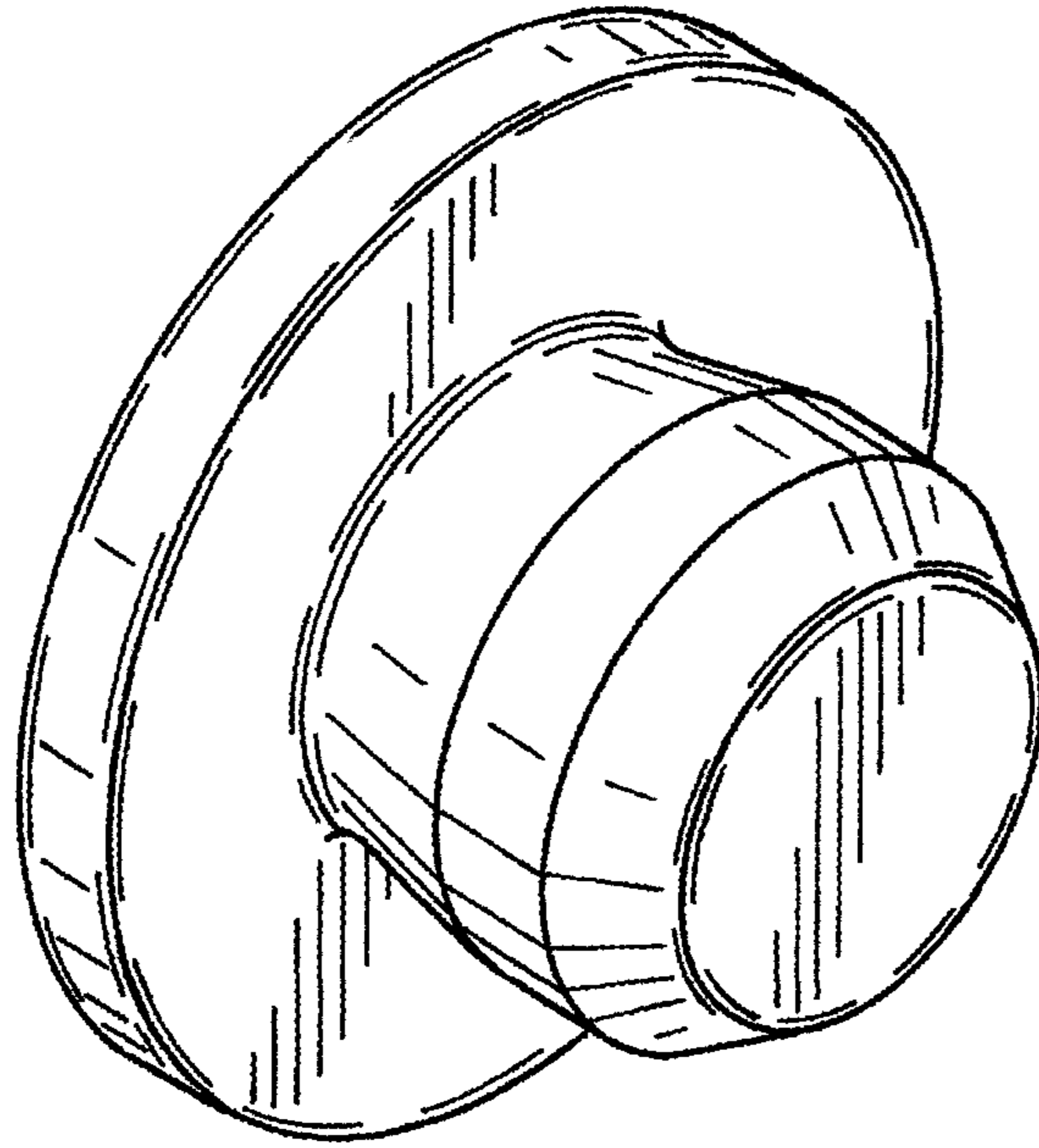


FIG. 1

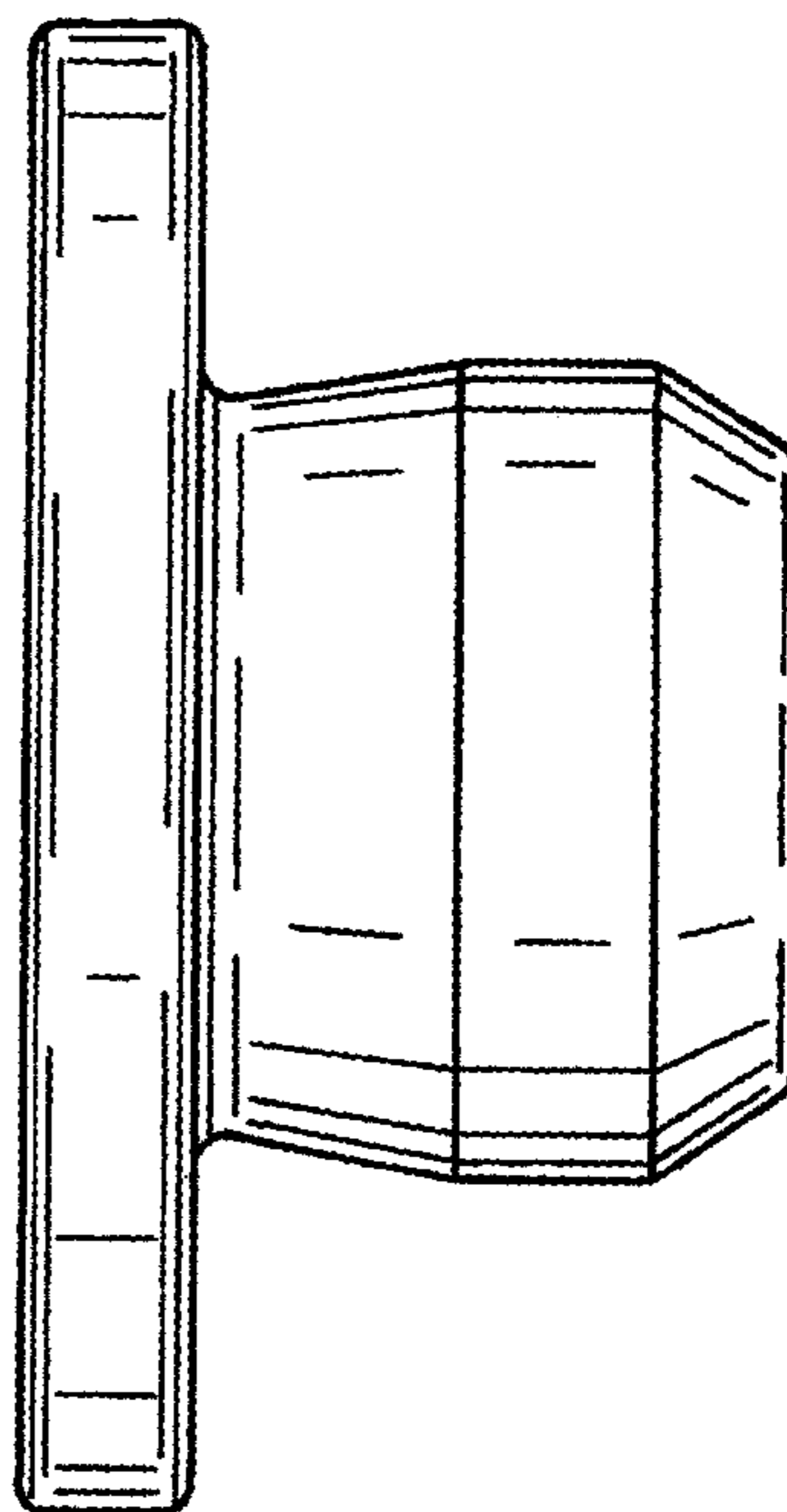


FIG. 2

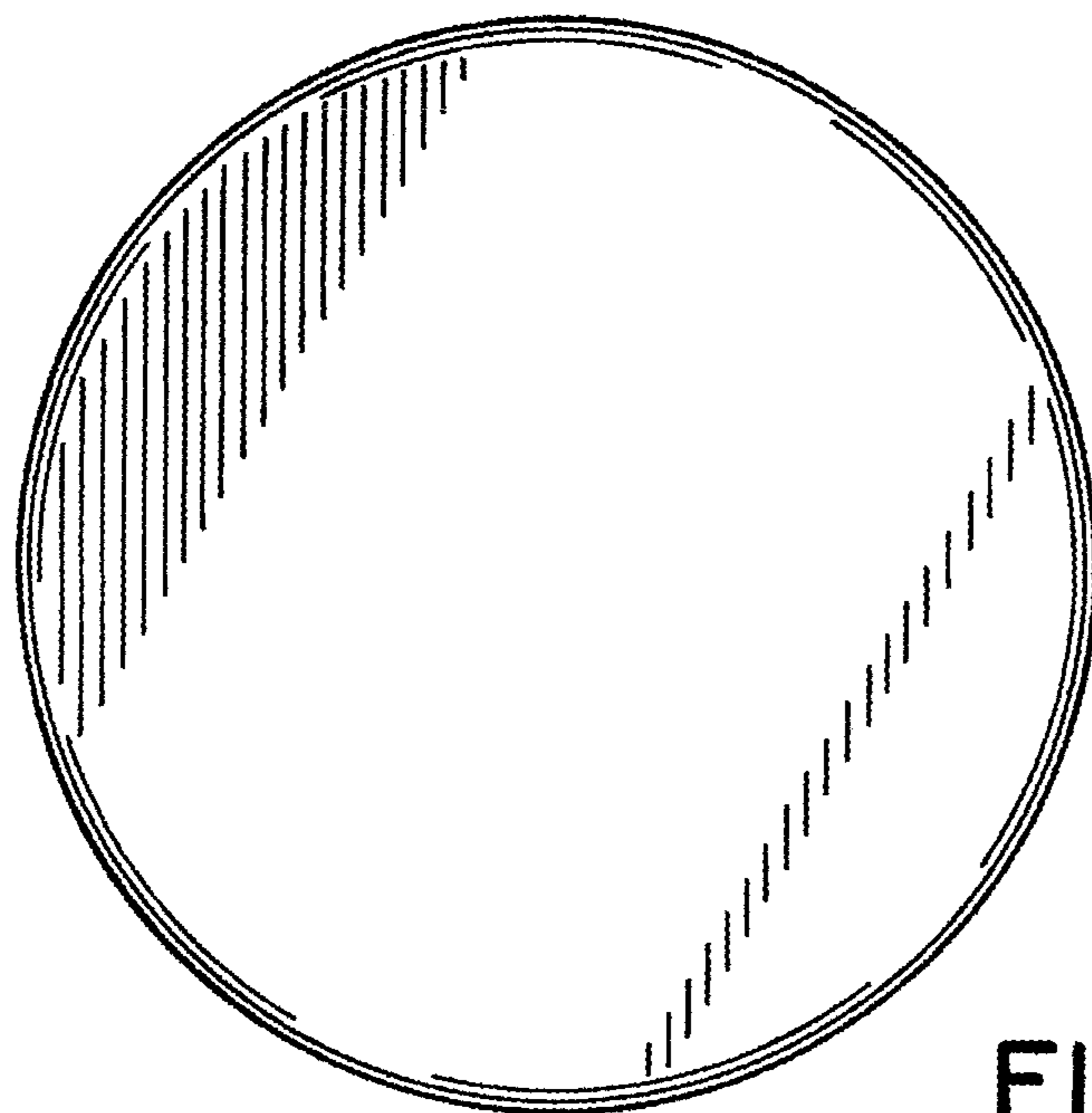


FIG. 3

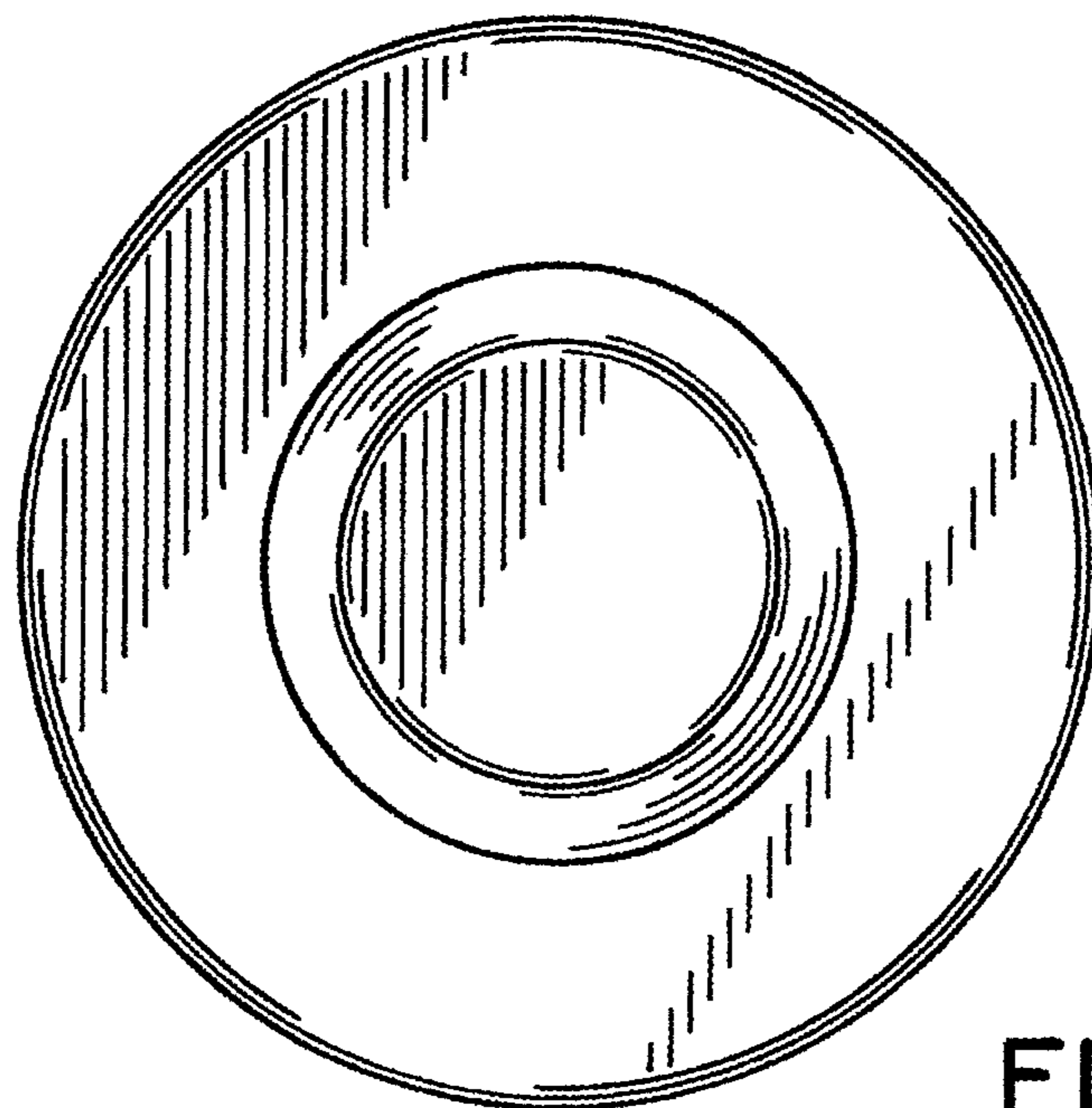


FIG. 4