



US00D860108S

(12) **United States Design Patent** (10) **Patent No.:** **US D860,108 S**
McNaughton (45) **Date of Patent:** **** Sep. 17, 2019**

(54) **PORTABLE WAKE ENHANCING DEVICE**

Primary Examiner — Cynthia M. Chin

(71) Applicant: **Patrick J McNaughton**, Plymouth, MN (US)

(57) **CLAIM**

(72) Inventor: **Patrick J McNaughton**, Plymouth, MN (US)

The ornamental design for a portable wake enhancing device, as shown and described.

(73) Assignee: **MCNAUGHTON INCORPATION**, Plymouth, MN (US)

DESCRIPTION

(**) Term: **15 Years**

(21) Appl. No.: **29/624,039**

(22) Filed: **Nov. 22, 2017**

(51) **LOC (12) Cl.** **12-06**

(52) **U.S. Cl.**
USPC **D12/317**

(58) **Field of Classification Search**
USPC D12/300–318
CPC A63B 69/00; B63C 11/46; B63B 1/16;
B63B 1/20; B63B 1/22; B63B 1/24;
B63B 1/32

See application file for complete search history.

(56) **References Cited**

U.S. PATENT DOCUMENTS

2,127,154 A	8/1938	Burk
3,159,134 A	12/1964	Winnen
3,247,820 A	4/1966	White
3,291,094 A	12/1966	Beebe
3,974,794 A	8/1976	Kakitani et al.
4,043,531 A	8/1977	Green

(Continued)

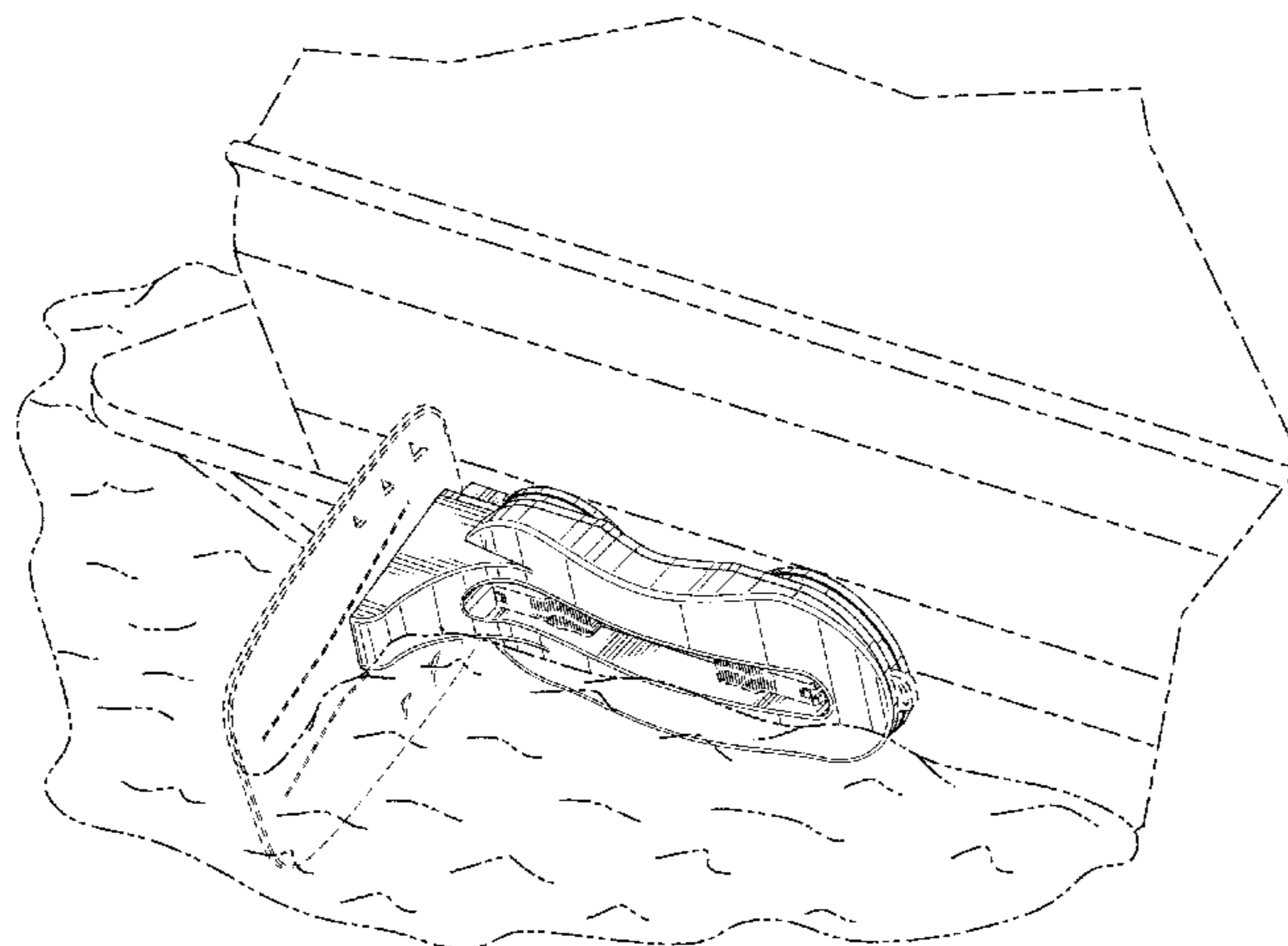
OTHER PUBLICATIONS

Welcome Aboard-Suction Cleat, pp. 1-2, Nov. 29, 2010, Welcome Aboard Catalog, <http://www.welcome-aboard.com/prodinfo/asp?number=SC1001>, retrieved from Internet Wayback Archive Machine, <http://www.wayback.archive.org/web> on Dec. 7, 2017.

(Continued)

FIG. 1 is a top perspective view of the “portable wake enhancing device” showing my new design.
 FIG. 2 is a front view thereof;
 FIG. 3 is a back view thereof;
 FIG. 4 is a right side view thereof;
 FIG. 5 is a left side view thereof;
 FIG. 6 is a top view thereof;
 FIG. 7 is a bottom view thereof;
 FIG. 8 is top perspective view thereof showing the design as part of its environment and connected to a blade;
 FIG. 9 is side perspective view thereof showing the design as part of its environment and connected to a blade and positioned at the back of a watercraft;
 FIG. 10 is a top perspective view of the “portable wake enhancing device” showing my new design in an alternate configuration.
 FIG. 11 is a front view thereof;
 FIG. 12 is a back view thereof;
 FIG. 13 is a right side view thereof;
 FIG. 14 is a left side view thereof;
 FIG. 15 is a top view thereof;
 FIG. 16 is a bottom view thereof; and,
 FIG. 17 is top perspective view thereof showing the design as part of its environment and connected to a blade.
 The broken lines in FIGS. 1-17 are for the purpose of illustrating portions of the portable wake enhancing device that form no part of the claim. The broken lines in FIGS. 8, 9 & 17 showing a blade, portions of a boat and water, represent the environment in which the article resides and forms no part of the claimed design.

1 Claim, 15 Drawing Sheets



(56)

References Cited

U.S. PATENT DOCUMENTS

4,328,761 A 5/1982 Dwyer
 5,184,858 A 2/1993 Arai
 5,611,295 A 3/1997 Stables
 5,715,876 A 2/1998 Burt
 5,860,766 A * 1/1999 Lochtefeld A63B 69/0093
 114/253
 5,934,963 A 8/1999 Frizzell
 5,975,974 A 11/1999 McCausland
 6,154,929 A 12/2000 Dwyer
 6,807,920 B1 10/2004 Wynne
 6,991,504 B1 1/2006 English et al.
 7,004,097 B2 2/2006 Zeromski
 7,182,037 B2 2/2007 Otobe et al.
 7,189,127 B2 3/2007 Otobe et al.
 7,229,059 B1 6/2007 Hood
 7,434,531 B1 * 10/2008 Zsido B63B 35/85
 114/284
 7,475,652 B2 1/2009 Dvorak
 7,665,706 B2 2/2010 Chien et al.
 8,282,434 B2 10/2012 Kumano
 8,387,932 B2 3/2013 Takahashi et al.
 8,534,214 B1 * 9/2013 Gasper B63B 35/85
 114/284
 8,833,286 B1 * 9/2014 Sheedy B63B 1/26
 114/285
 8,851,434 B2 10/2014 Menning et al.
 9,038,560 B1 * 5/2015 Brendel B63B 35/73
 114/284
 9,296,447 B1 3/2016 Morgan et al.
 9,371,115 B2 6/2016 Hammerstrom
 9,422,028 B2 8/2016 Wilhelm
 9,493,213 B2 11/2016 Thomas
 9,604,700 B2 3/2017 Naples
 9,834,280 B1 12/2017 Wilmoth, III et al.
 9,889,909 B2 * 2/2018 Morgan B63B 35/85
 9,908,596 B2 3/2018 Watson
 9,914,509 B1 3/2018 Tegeder
 10,059,404 B2 * 8/2018 Clover B63B 1/04
 2007/0216154 A1 9/2007 Casagrande
 2007/0257167 A1 11/2007 Richter
 2013/0213293 A1 * 8/2013 Gasper B63B 1/28
 114/284
 2013/0228115 A1 * 9/2013 Gasper B63B 1/32
 114/284
 2014/0261135 A1 * 9/2014 Gasper B63B 1/32
 114/284
 2016/0009342 A1 1/2016 Thomas
 2016/0340948 A1 11/2016 McCullough
 2017/0233038 A1 8/2017 Clover et al.

OTHER PUBLICATIONS

“SC 1001 Suction Cleat,” ProStock Marine, Retrieved online from Internet Wayback Archive Machine, https://web.archive.org/web/20160428160727/http://www.prostockmarine.com/index.php?id_product=72&controller=product, dated Apr. 28, 2016, 2 pages.

“Accessories Overview: Maintenance Packs,” NautiBuoy Marine, Retrieved online from Internet Wayback Archive Machine, <https://web.archive.org/web/20170604125131/http://nautibuoymarine.com/accessories-overview/maintenance-pack/>, dated Jun. 4, 2017, 5 pages.
 “Accessories Overview: Maintenance Packs,” NautiBuoy Marine, Retrieved online from <http://nautibuoymarine.com/accessories-overview/maintenance-pack/> on Mar. 14, 2018, 9 pages.
 “Vacuum Lifters—Below-The-Hook Lifters,” Retrieved online from Internet Wayback Archive Machine, <https://web.archive.org/web/20170316134423/https://www.wpg.com/catalog/below-the-hook-lifters>, dated Mar. 16, 2017, 5 pages.
 “Vacuum Lifters—Below-The-Hook Lifters,” Retrieved online from <https://www.wpg.com/catalog/below-the-hook-lifters> on Mar. 14, 2018, 5 pages.
 “Vertical Lifters,” Retrieved online from Internet Wayback Archive Machine, <https://web.archive.org/web/20170316164448/http://www.wpg.com:80/catalog/below-the-hook-lifters/vertical-lifters>, dated Mar. 16, 2017, 3 pages.
 “Vertical Lifters,” Retrieved online from <https://www.wpg.com/catalog/below-the-hook-lifters/vertical-lifters> on Mar. 14, 2018, 3 pages.
 “Vacuum Mounting Cups,” Retrieved online from Internet Wayback Archive Machine, <https://web.archive.org/web/20170316134559/http://www.wpg.com:80/catalog/vacuum-mounting-cups>, dated Mar. 16, 2017, 4 pages.
 “Vacuum Mounting Cups,” Retrieved online from <https://www.wpg.com/catalog/vacuum-mounting-cups> on Mar. 14, 2018, 4 pages.
 “Vacuum Mount Cleats,” Yacht Innovations, Retrieved online from Internet Wayback Archive Machine, <https://web.archive.org/web/20170515041410/http://vacuumcleat.yachtinnovations.com:80/>, dated May 15, 2017, 2 pages.
 U.S. Appl. No. 15/467,954, Third-Party Submission Under 37 CFR 1.290 and Concise Explanation of Relevance filed Sep. 13, 2017, 6 pages.
 U.S. Appl. No. 15/467,954, Third-Party Submission Under 37 CFR 1.290 and Concise Explanation of Relevance filed Dec. 7, 2017, 10 pages.
 Unpublished copending Utility U.S. Appl. No. 15/858,779, entitled Wake Shaping Apparatus and Related Technology, filed Dec. 29, 2017, 69 pages.
 “Swell Wakesurf,” Swell Wakesurf, Retrieved online from Internet Wayback Archive Machine, <https://web.archive.org/web/20170724073524/https://www.swellwake.com/>, dated Jul. 24, 2017, 4 pages.
 “Wakesurf Shaper,” Ronixwake, Retrieved online from Internet Wayback Archive Machine, <https://web.archive.org/web/20170331023700/http://www.ronixwake.com:80/Product/wakesurf-shaper>, dated Mar. 31, 2017, 2 pages.
 “Delta Wake Shaper,” Mission LLC, Retrieved online from Internet Wayback Archive Machine, <https://web.archive.org/web/20161126085129/http://www.missionboatgear.com:80/collections.delta-wakesurf-panel>, dated Nov. 26, 2016, 17 pages.
 Unpublished copending Utility U.S. Appl. No. 15/858,779, Non-Final Office Action dated May 17, 2018, 10 pages.

* cited by examiner

FIG. 1

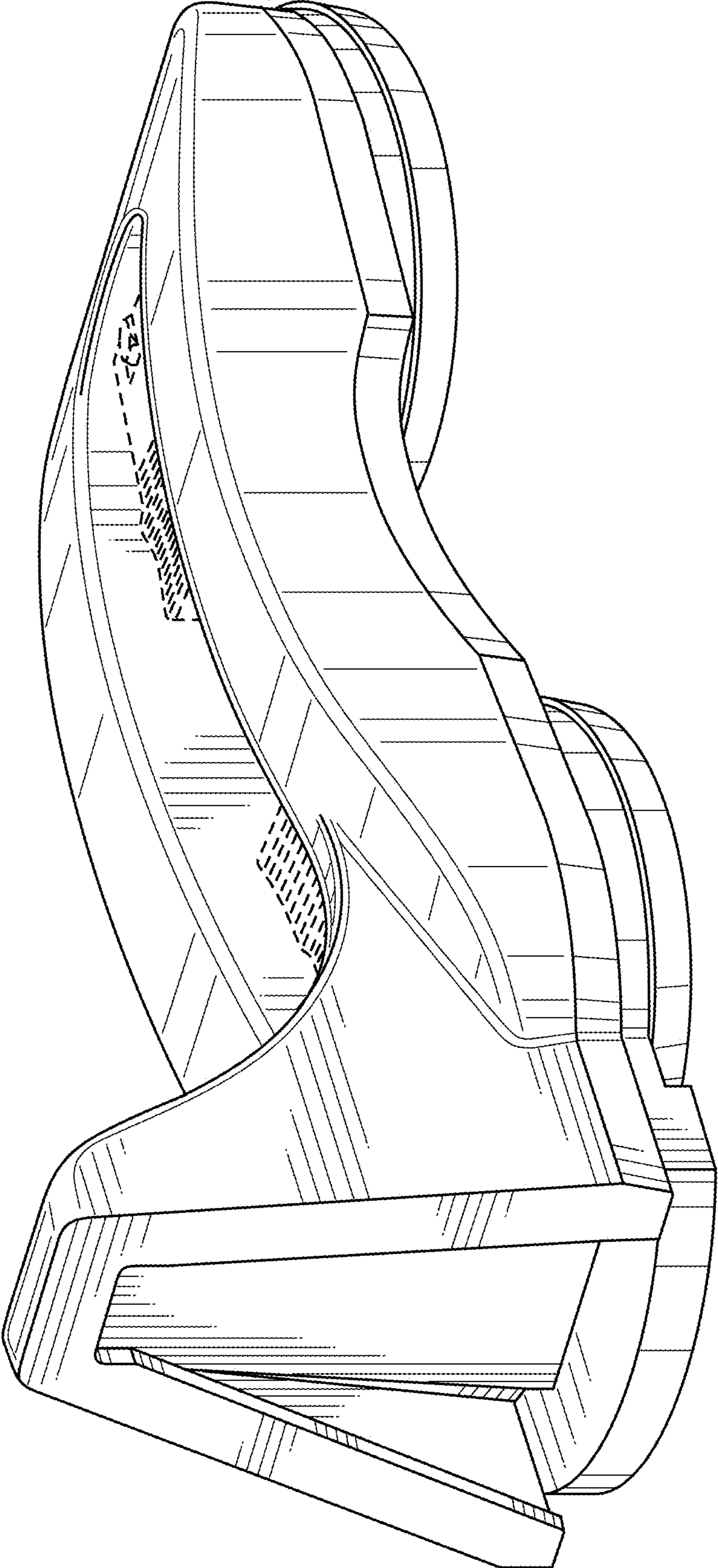


FIG. 3

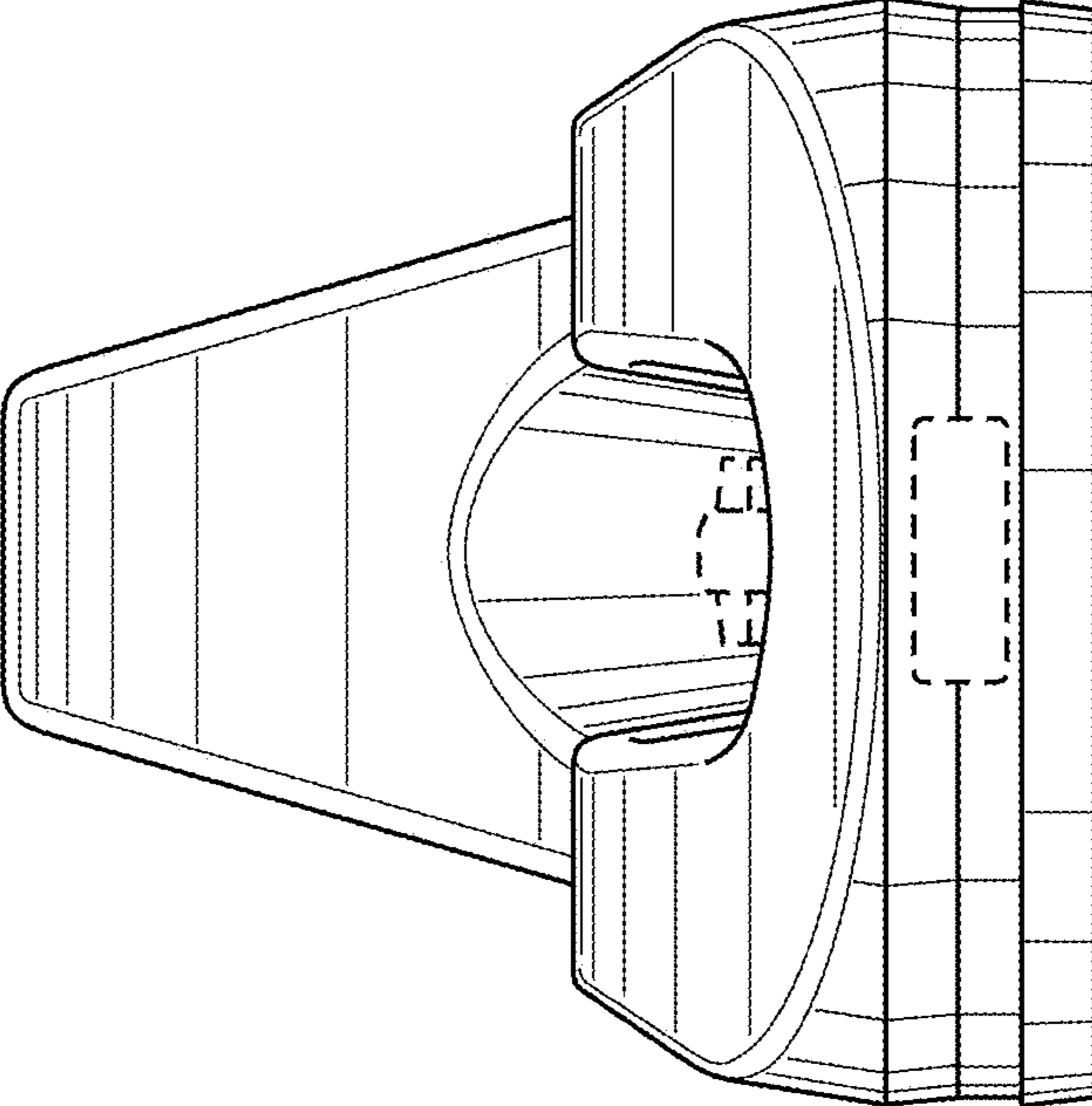
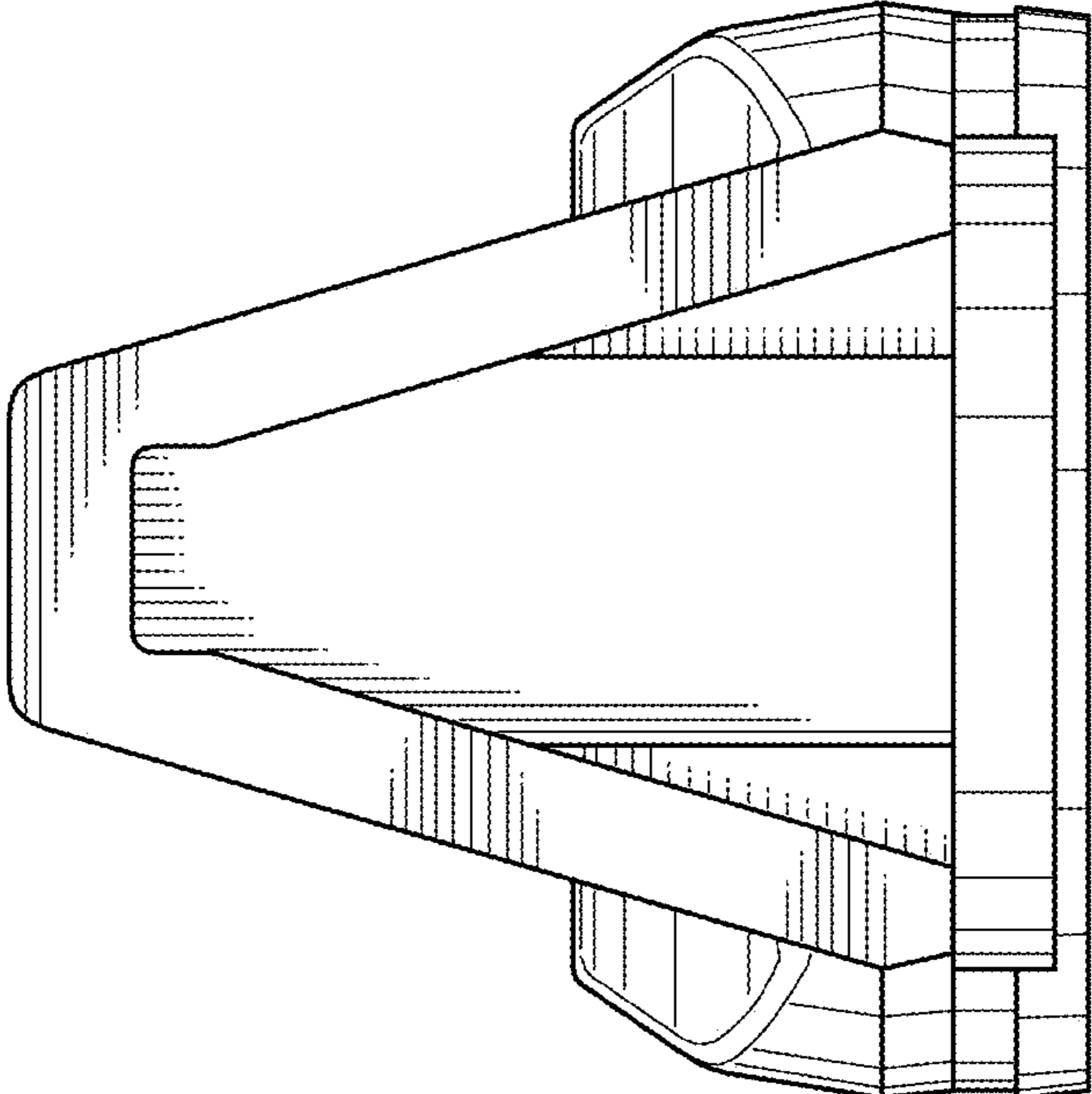


FIG. 2



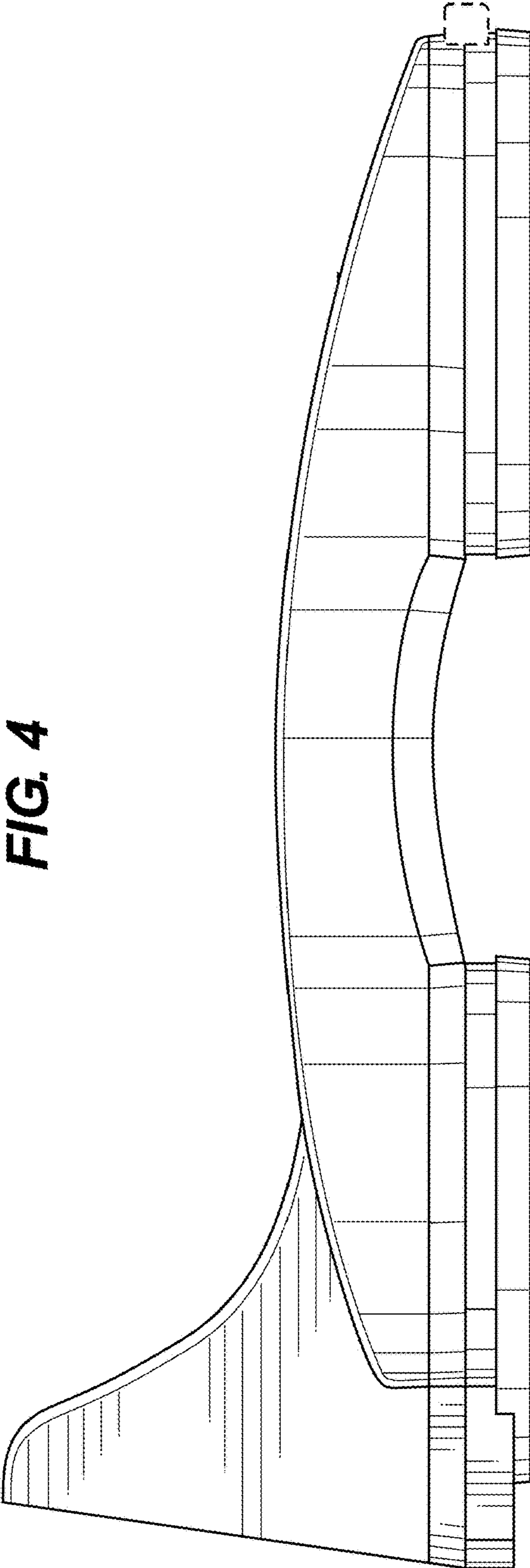


FIG. 4

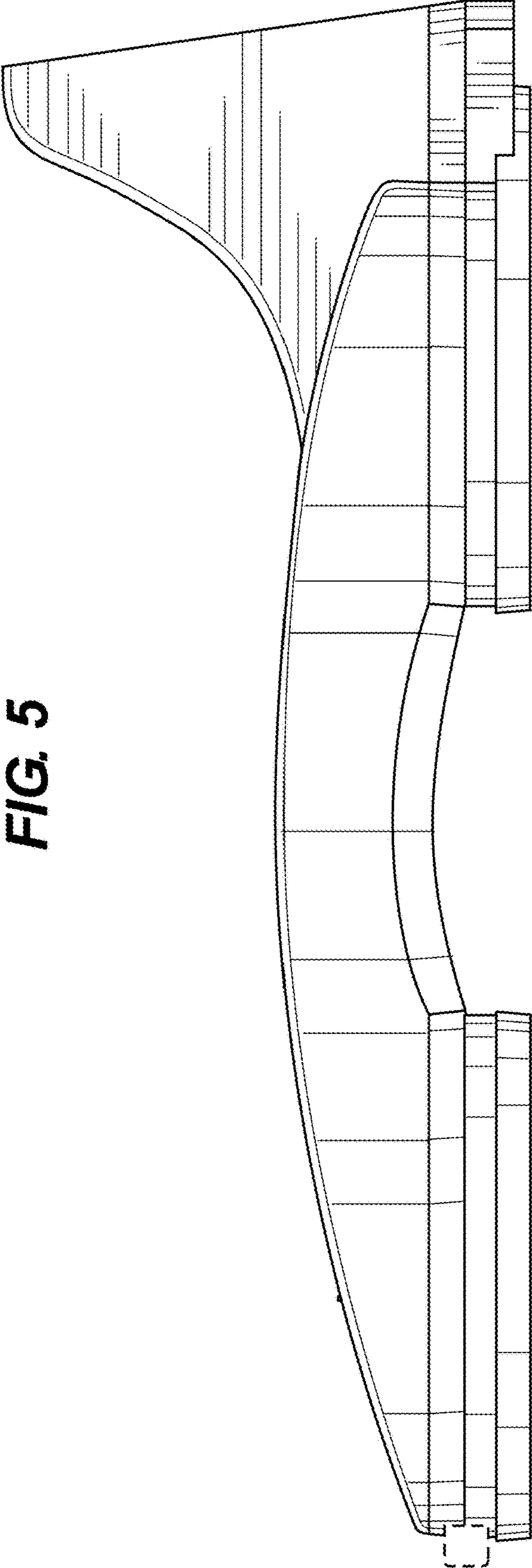


FIG. 5

FIG. 6

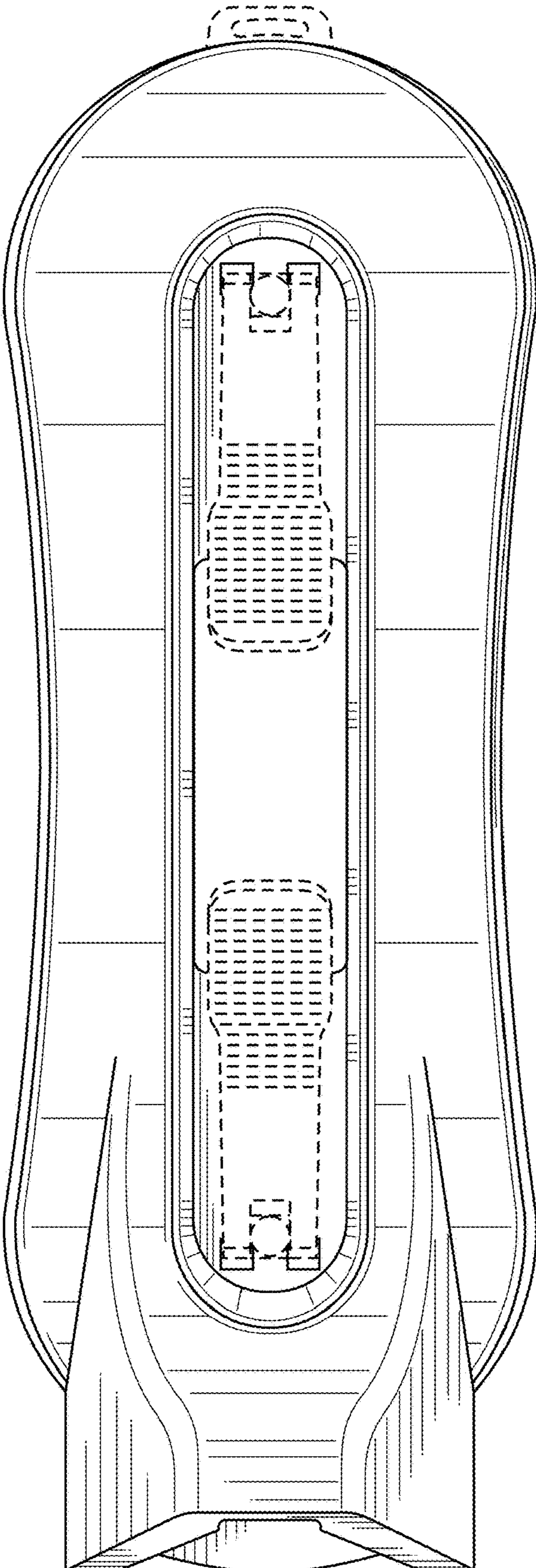


FIG. 7

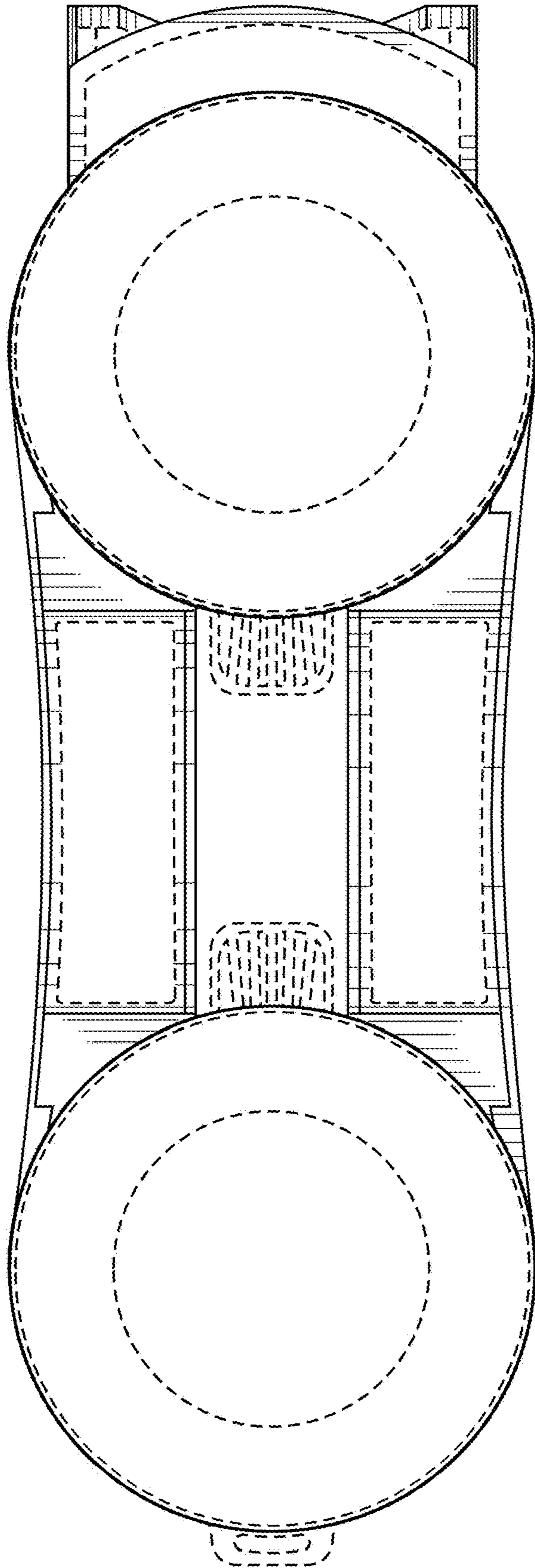


FIG. 8

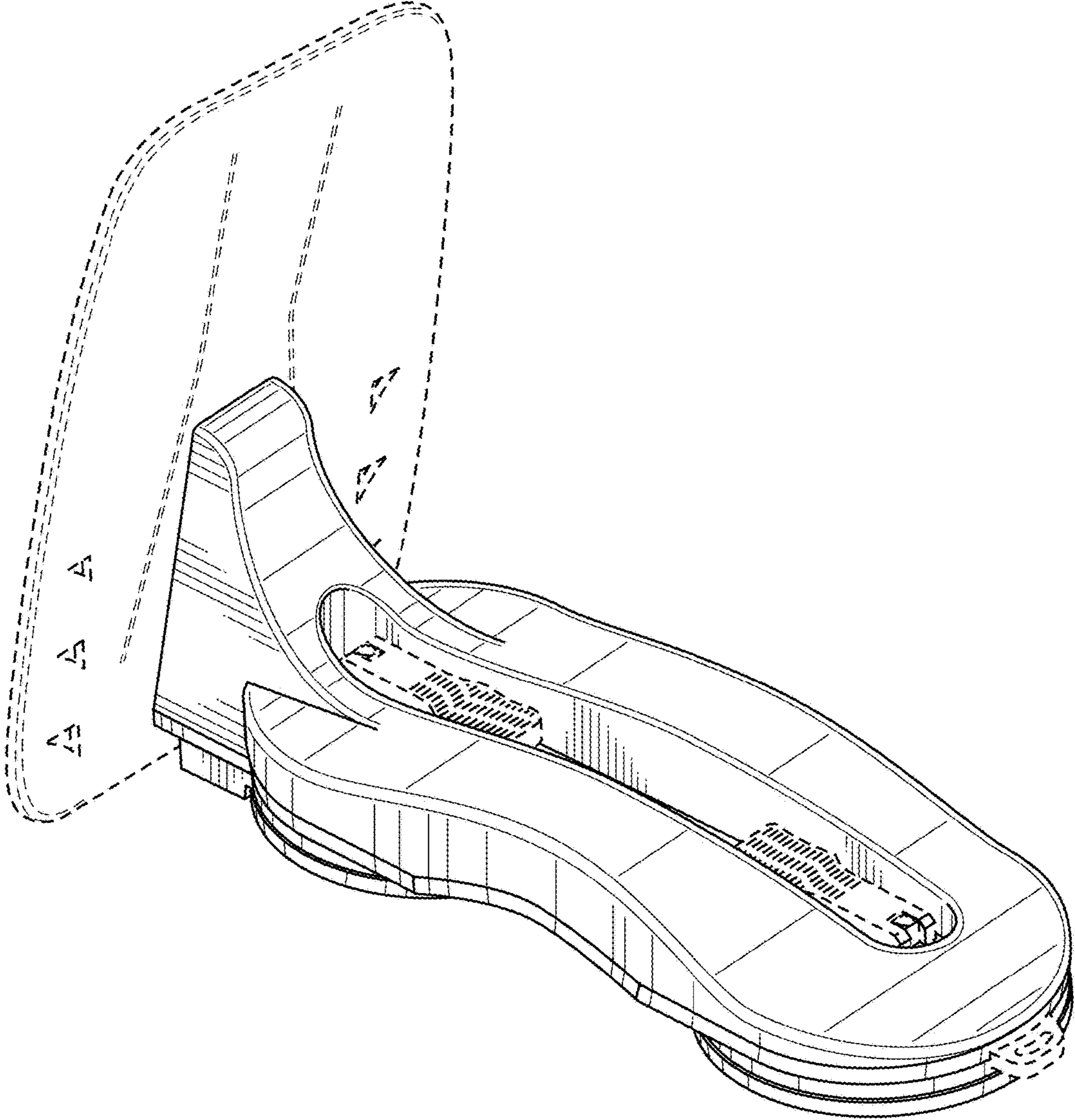
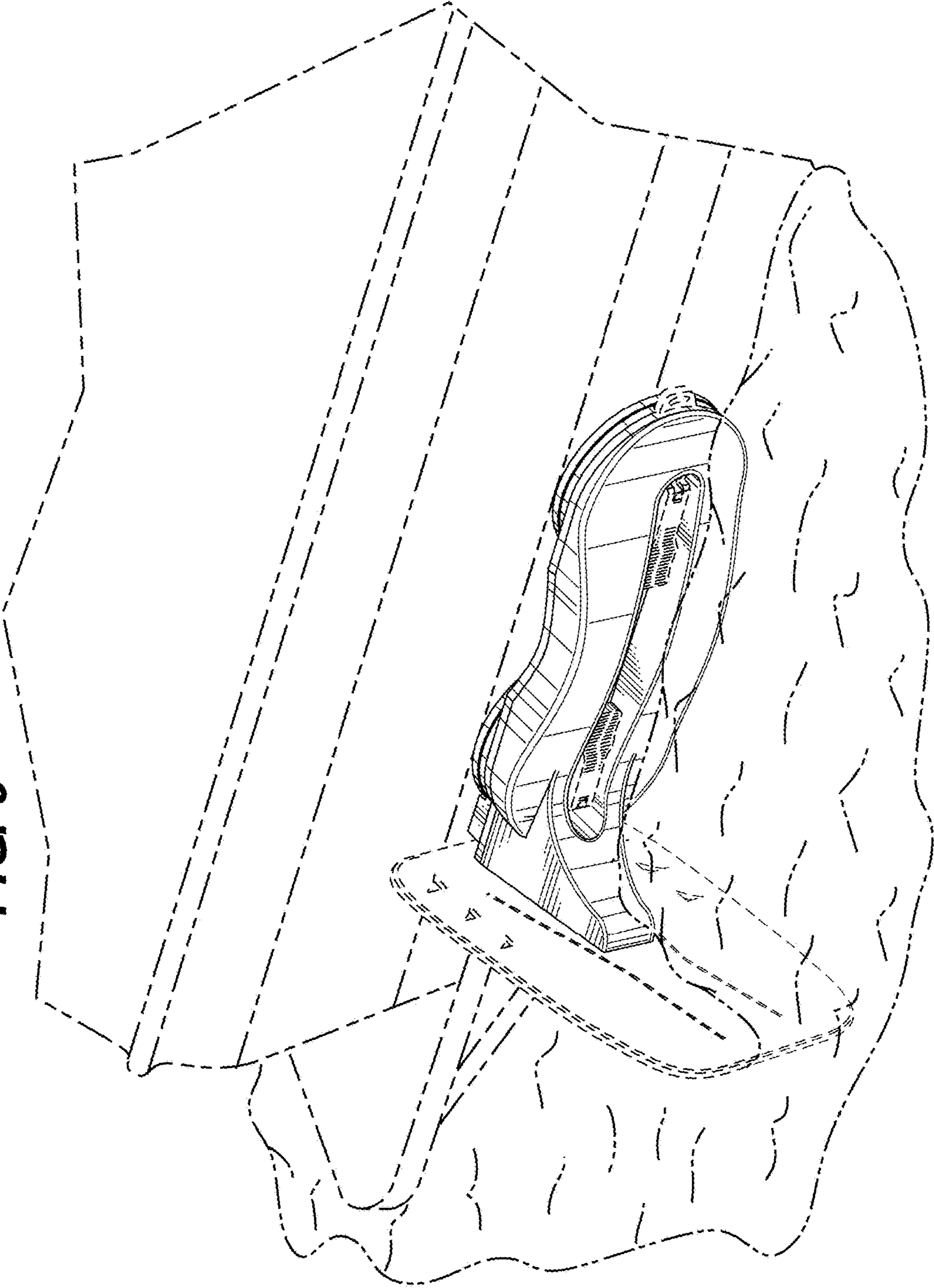


FIG. 9



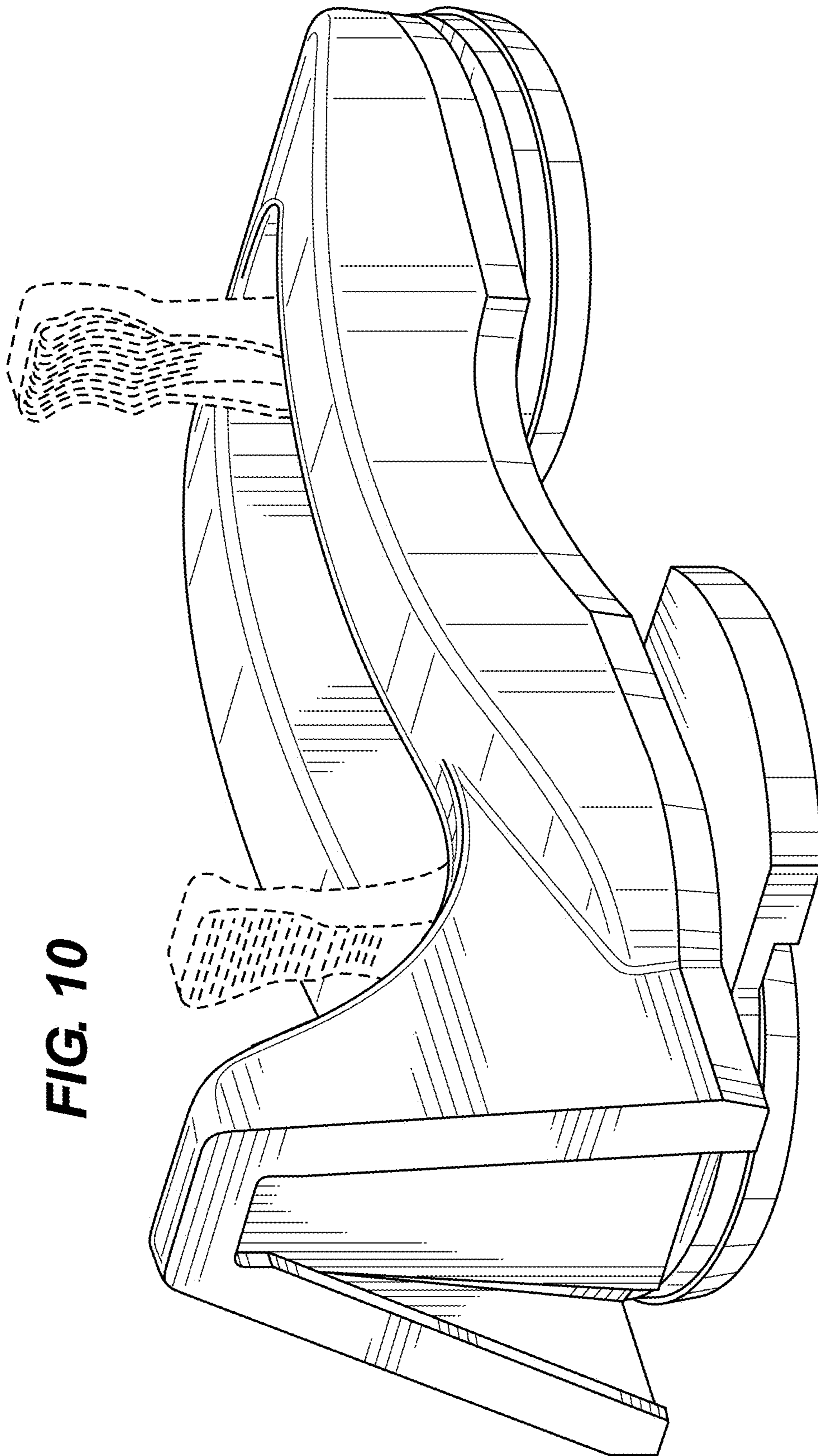


FIG. 10

FIG. 12

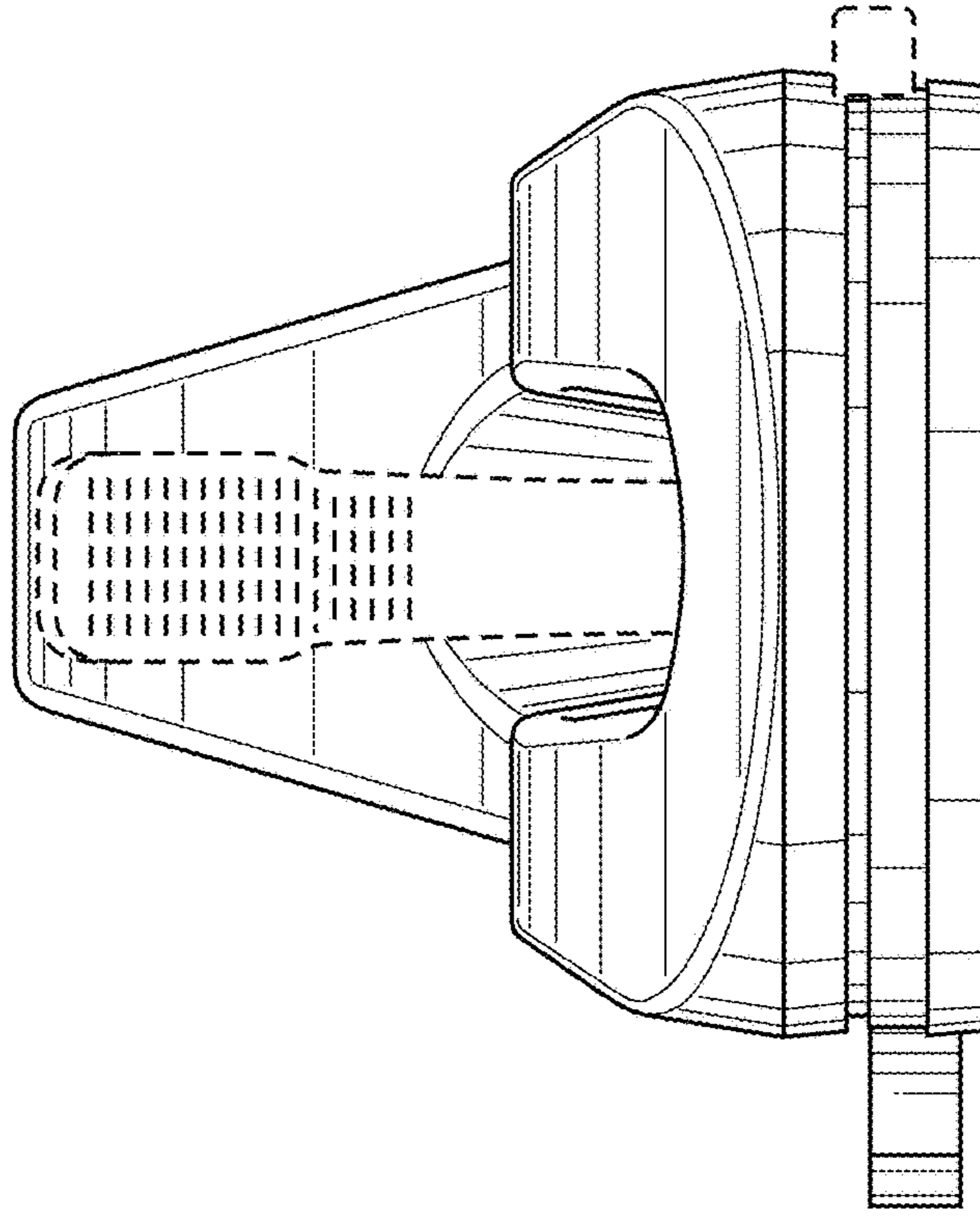


FIG. 11

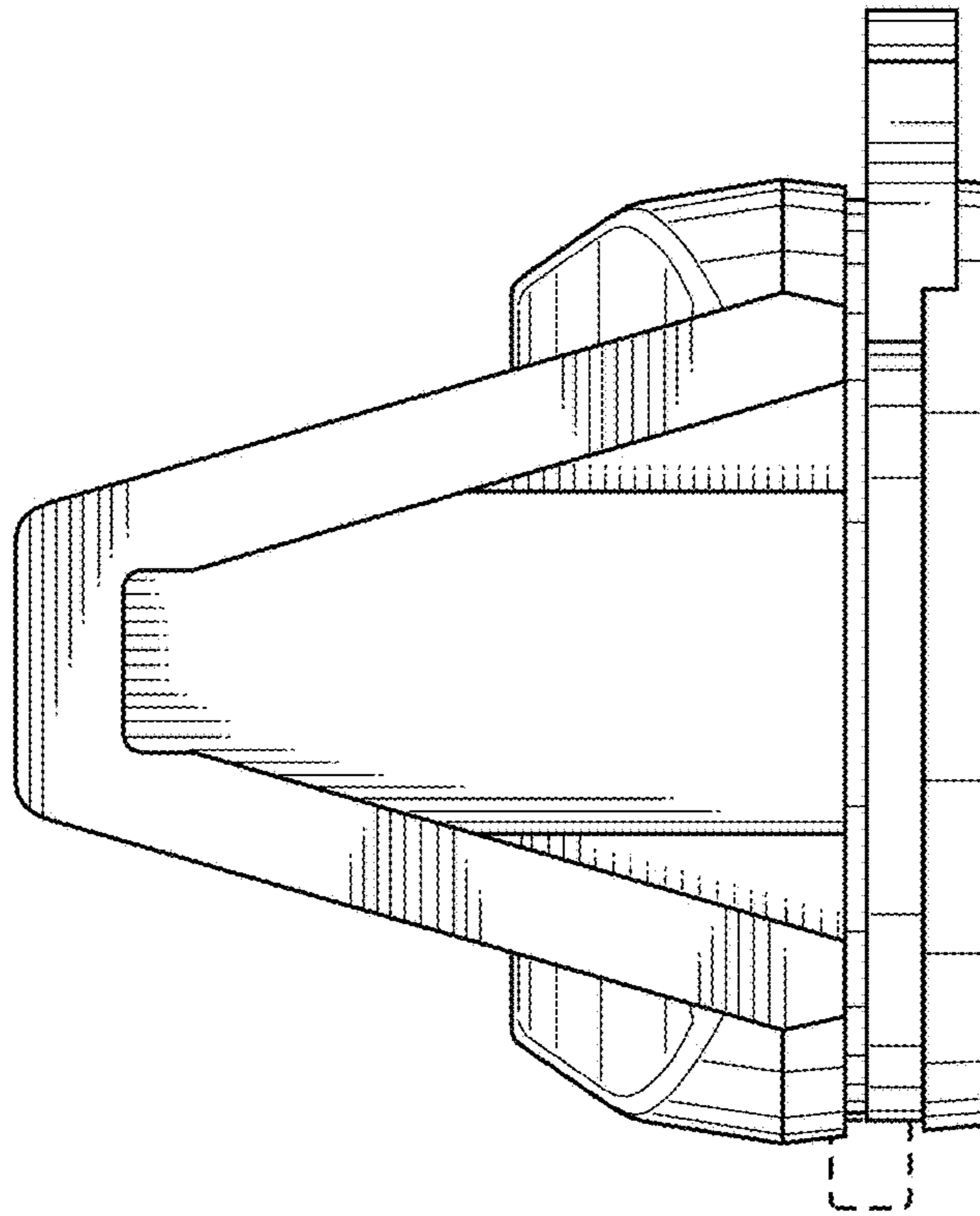
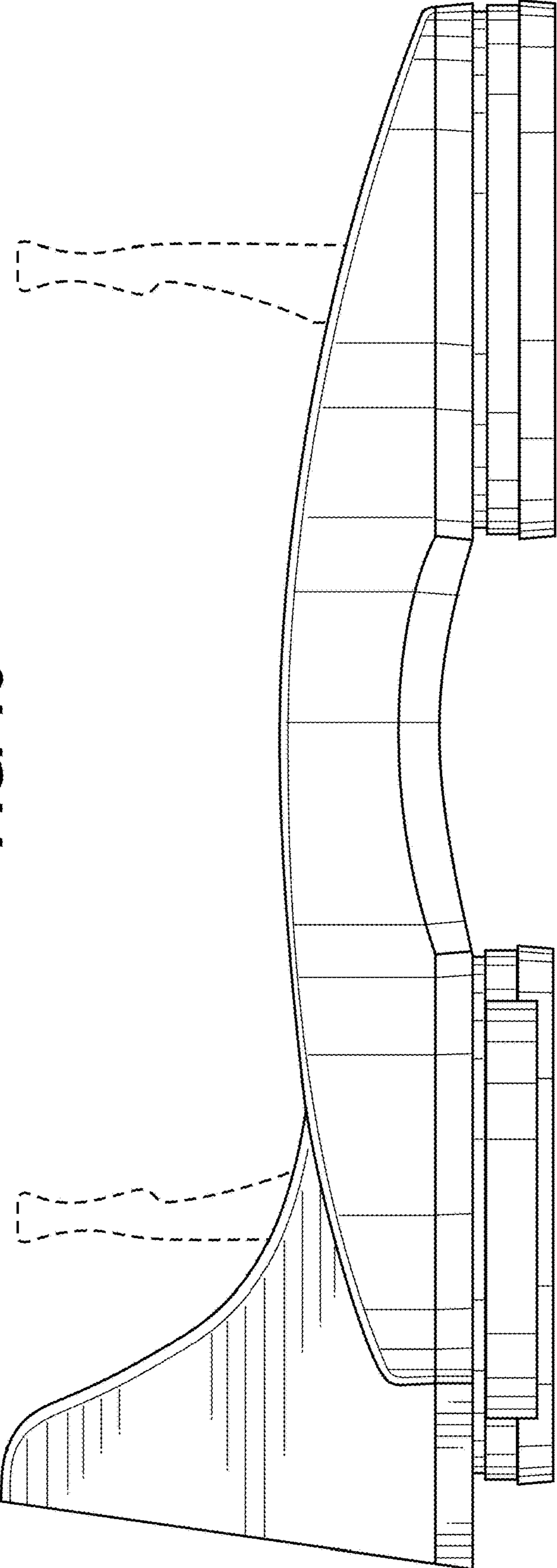


FIG. 13



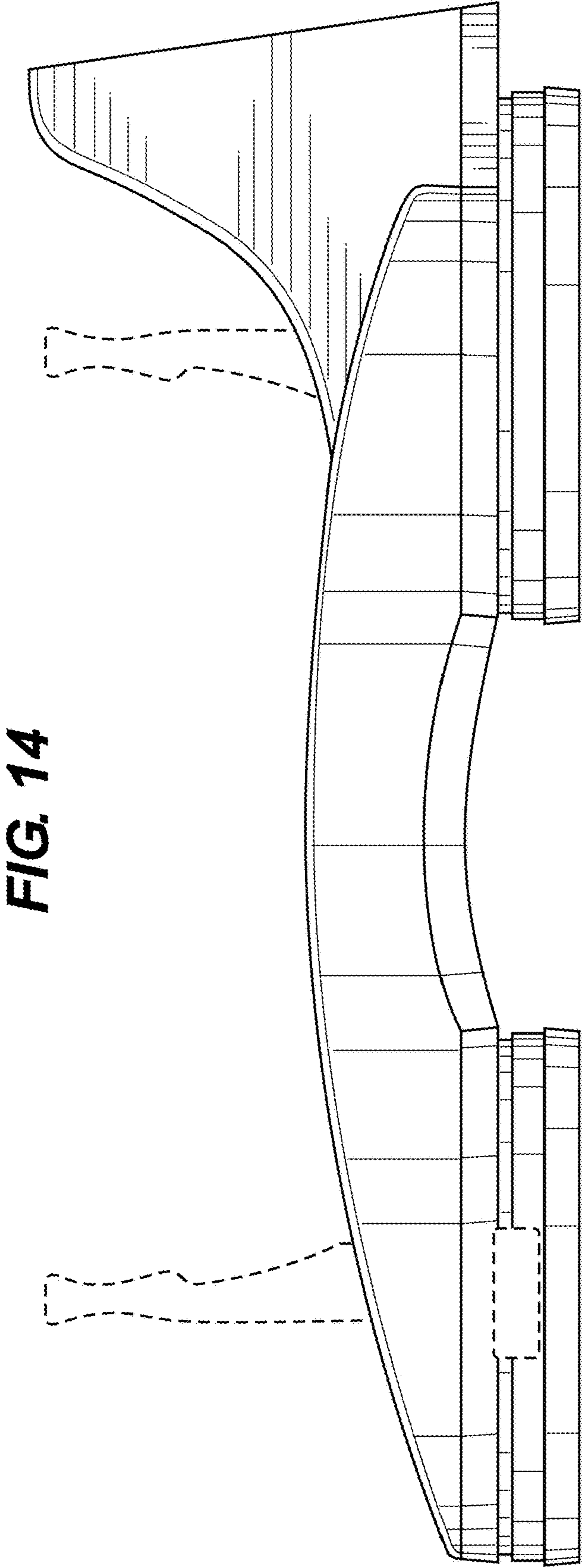


FIG. 14

FIG. 15

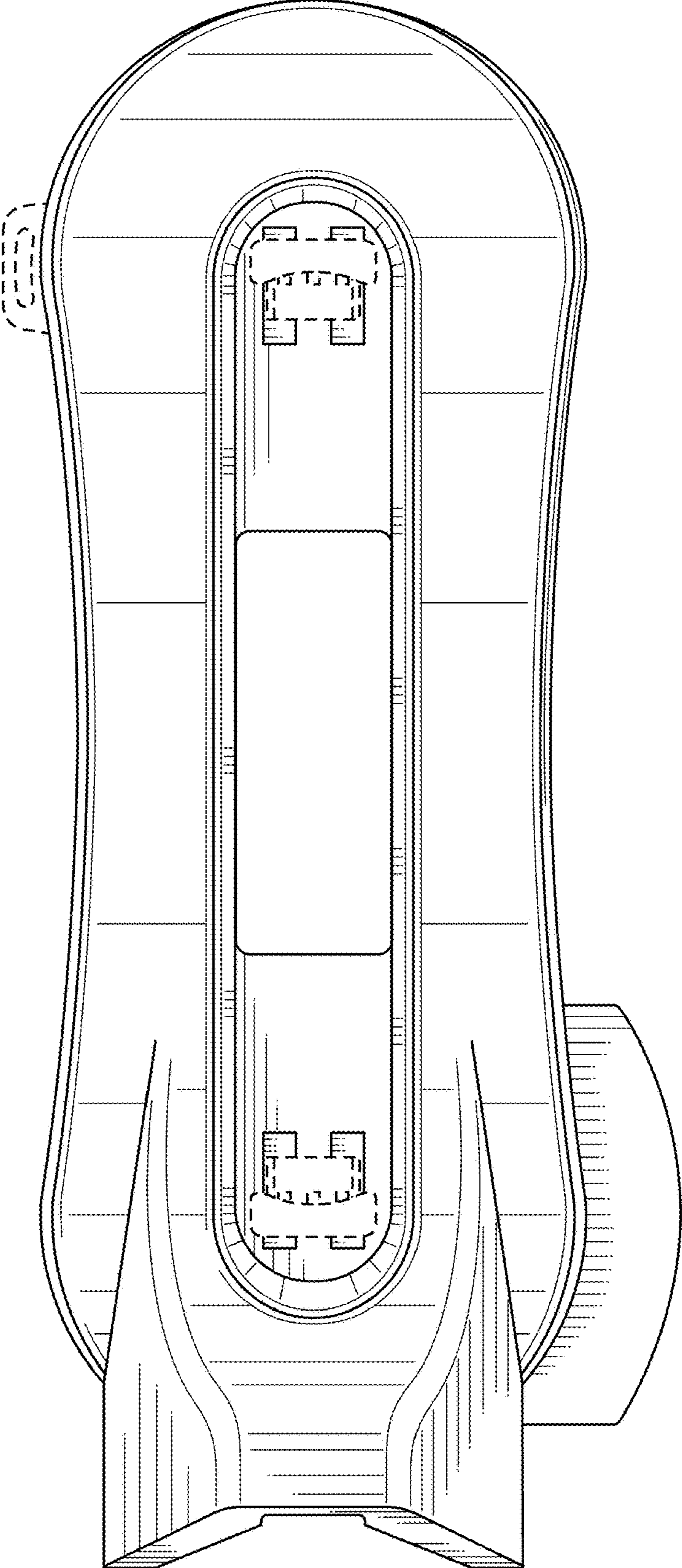


FIG. 16

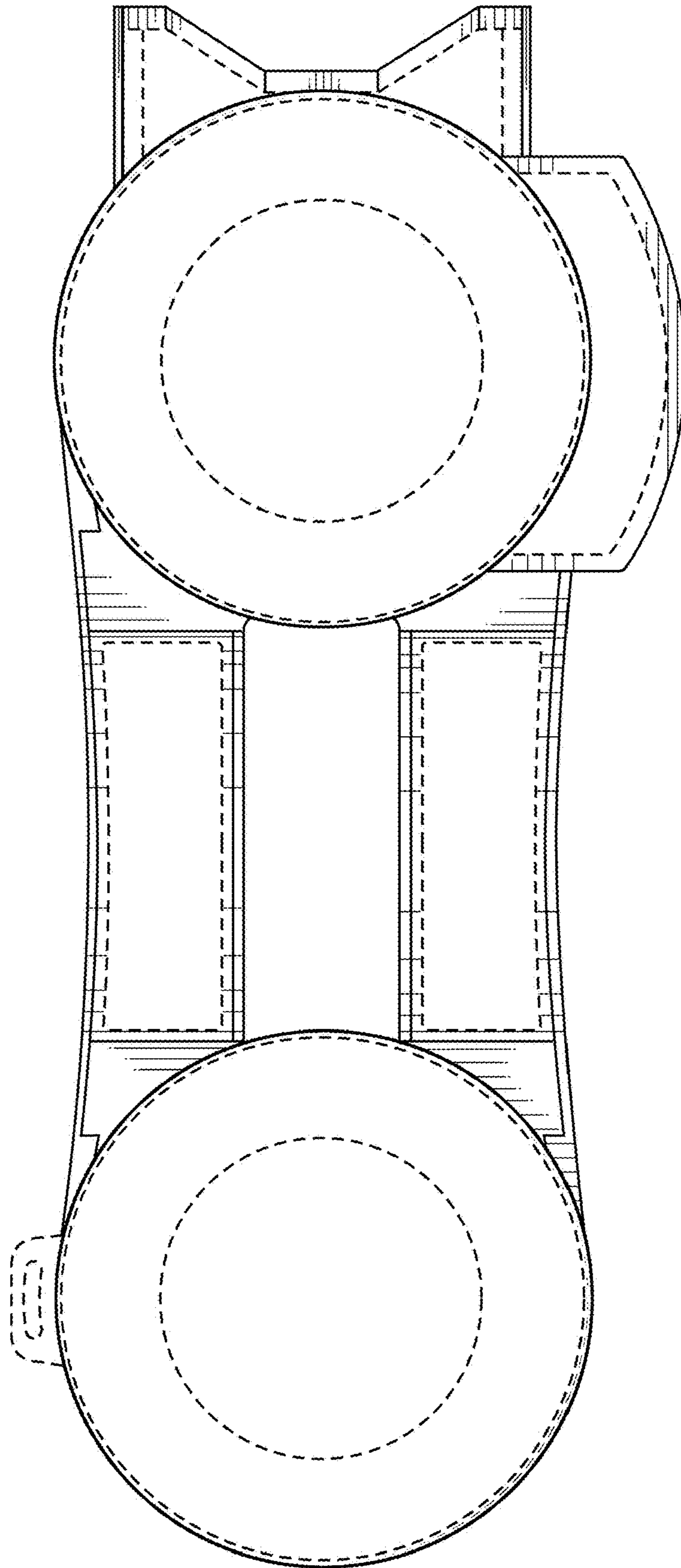


FIG. 17

