



US00D860107S

(12) **United States Design Patent** (10) **Patent No.:** **US D860,107 S**
Bilgin (45) **Date of Patent:** **** Sep. 17, 2019**

(54) **WHEEL CHOCK**

FOREIGN PATENT DOCUMENTS

(71) Applicant: **SAMPA OTOMOTIV SANAYI VE TICARET ANONIM SIRKETI**,
Samsun (TR)

EP 736427 A1 * 10/1996 B60T 3/00
GB 2521529 A * 6/2015 B60T 3/00
WO WO-2014041578 A1 * 3/2014 B60T 3/00

(72) Inventor: **Ufuk Bilgin**, Samsun (TR)

OTHER PUBLICATIONS

(73) Assignee: **SAMPA OTOMOTIV SANAYI VE TICARET ANONIM SIRKETI**,
Samsun (TR)

Camco Manufacturing, Curved Leveler, May 2017, Youtube promotional video, see all, retrieved Feb. 4, 2019 from <URL:https://www.youtube.com/watch?v=qx-ZuTrgC1U> (Year: 2017).*

(**) Term: **15 Years**

* cited by examiner

(21) Appl. No.: **29/615,354**

Primary Examiner — Sheryl Lane

Assistant Examiner — Calvin E Vansant

(22) Filed: **Aug. 28, 2017**

(74) *Attorney, Agent, or Firm* — Gokalp Bayramoglu

(51) **LOC (12) Cl.** **12-16**

(57) **CLAIM**

The ornamental design for a wheel chock, as shown and described.

(52) **U.S. Cl.**

DESCRIPTION

USPC **D12/217**

(58) **Field of Classification Search**

USPC D12/213; D32/54; D9/416, 443;
D8/356

CPC B65H 57/00; B65H 57/02; B65H 2701/33;
B60T 3/00

See application file for complete search history.

FIG. 1 is a perspective view of a wheel chock showing the new design;

FIG. 2 is a perspective view of the wheel chock from another angle;

FIG. 3 is a perspective view of the wheel chock from another angle;

FIG. 4 is a perspective view of the wheel chock from another angle;

FIG. 5 is a top view of the wheel chock;

FIG. 6 is a front view of the wheel chock;

FIG. 7 is a right side view of the wheel chock;

FIG. 8 is a left side view of the wheel chock; and,

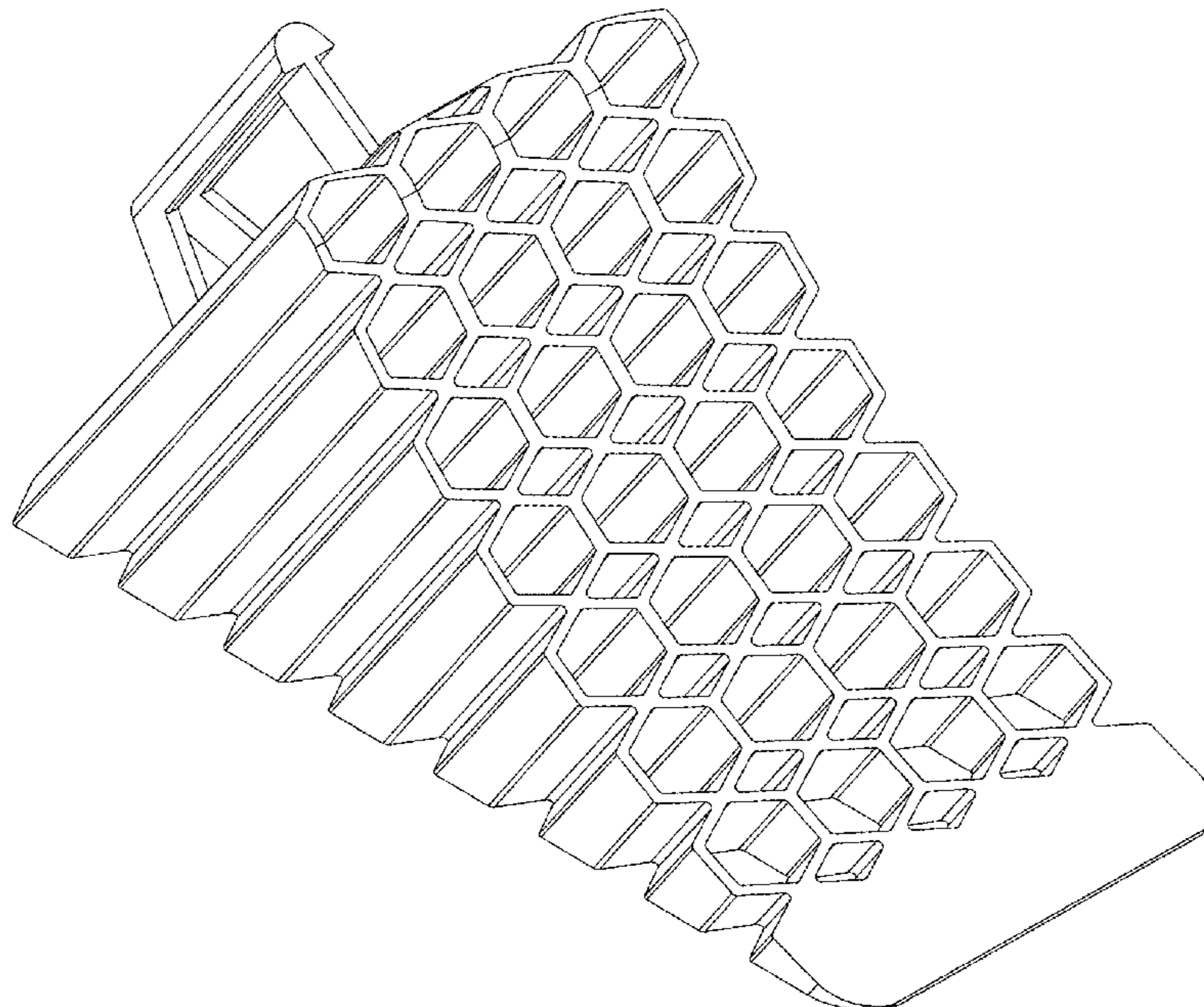
FIG. 9 is a bottom view of the wheel chock.

(56) **References Cited**

U.S. PATENT DOCUMENTS

D577,651 S * 9/2008 Shaw D12/217
D594,398 S * 6/2009 Tai D12/217
D601,479 S * 10/2009 Shaw D12/217
D646,614 S * 10/2011 Brockington D12/217

1 Claim, 9 Drawing Sheets



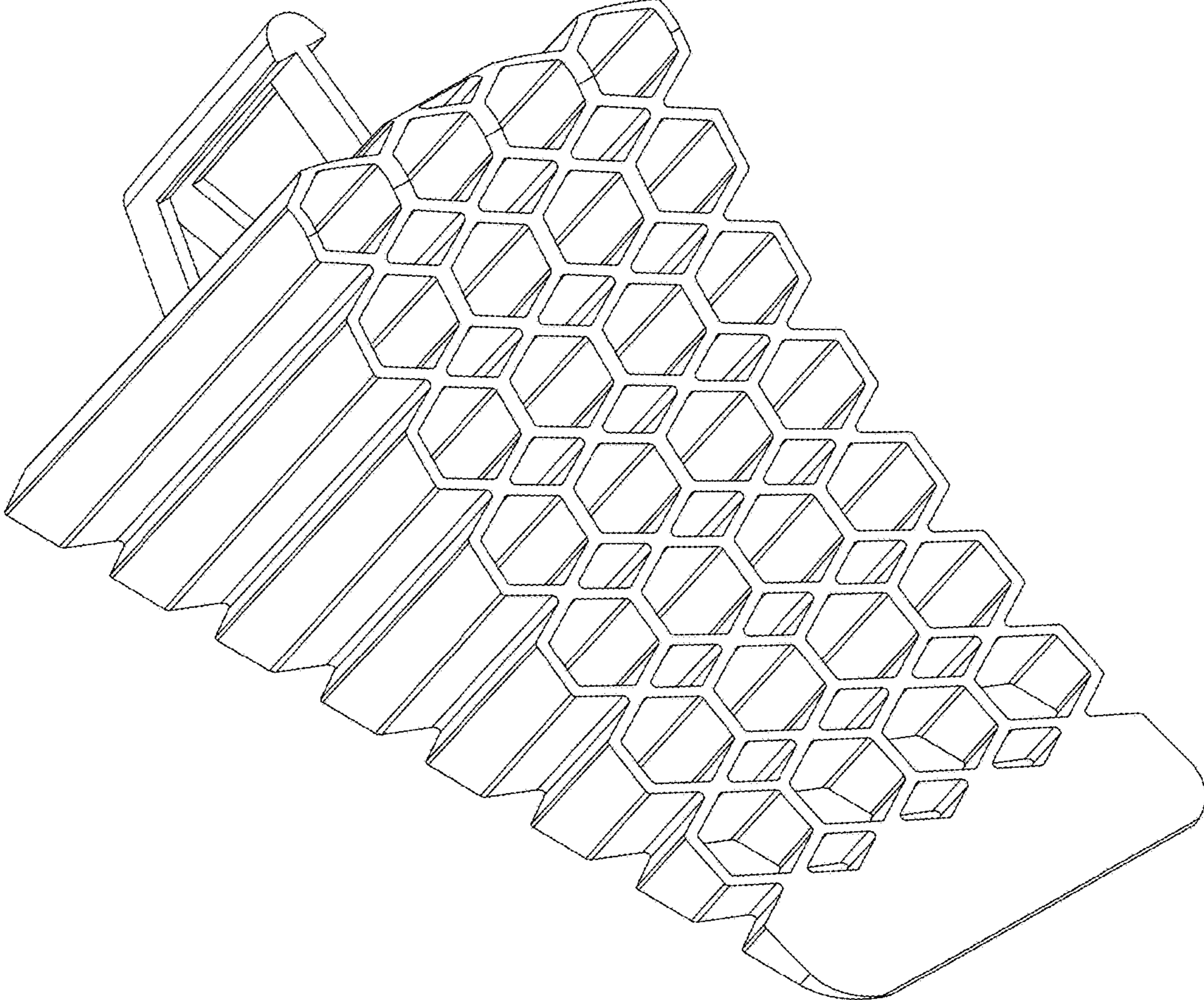


FIG. 1

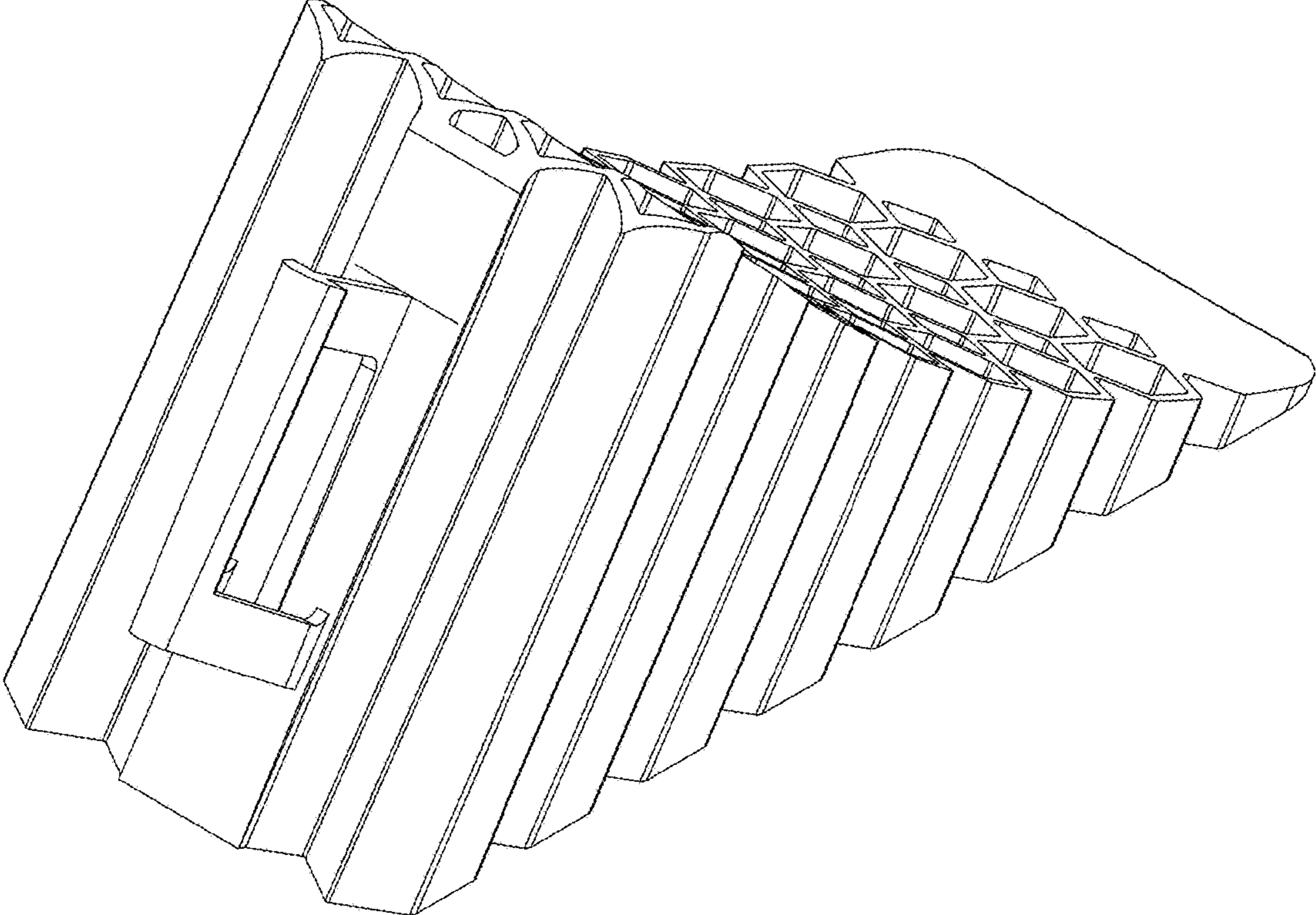


FIG. 2

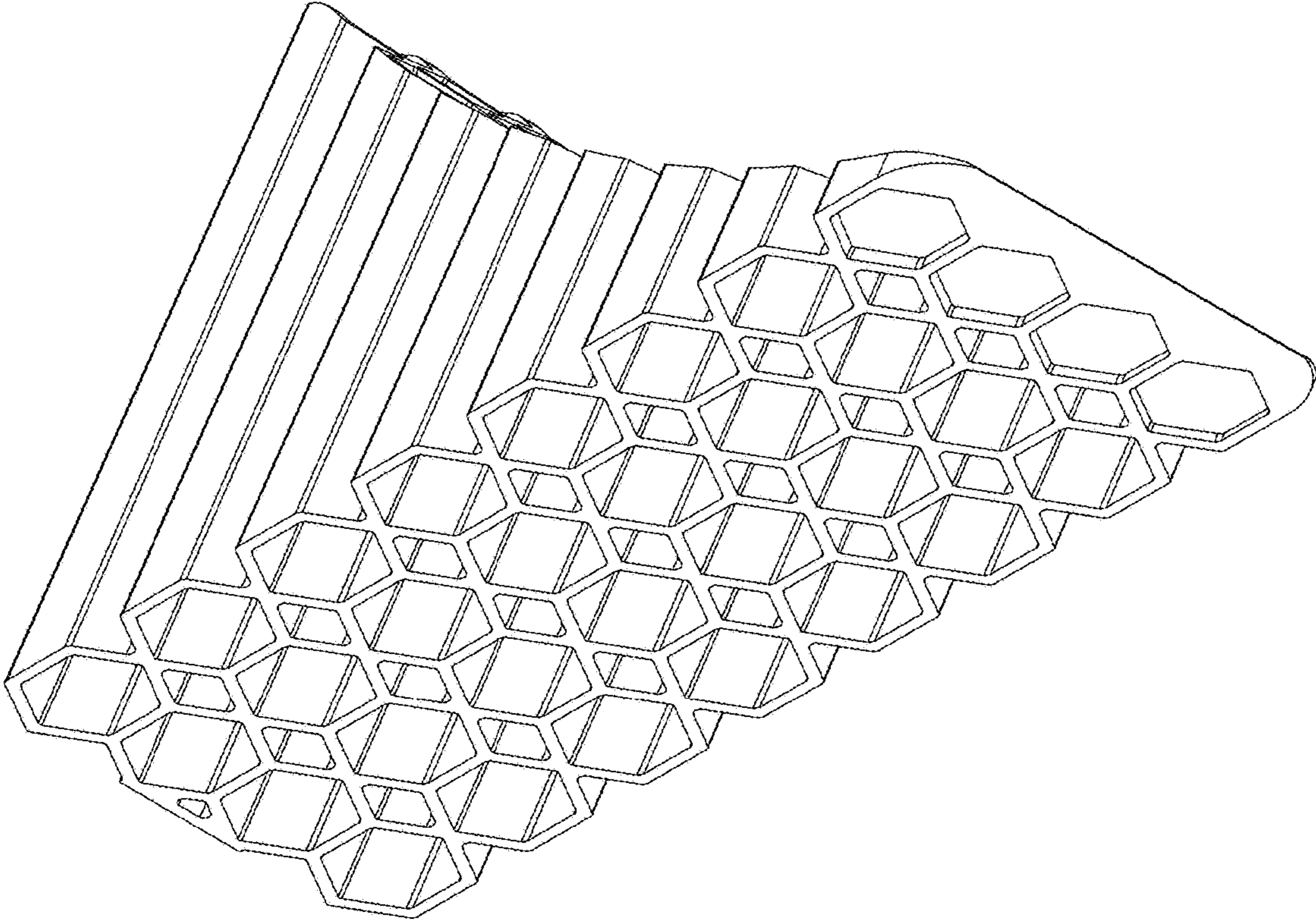


FIG. 3

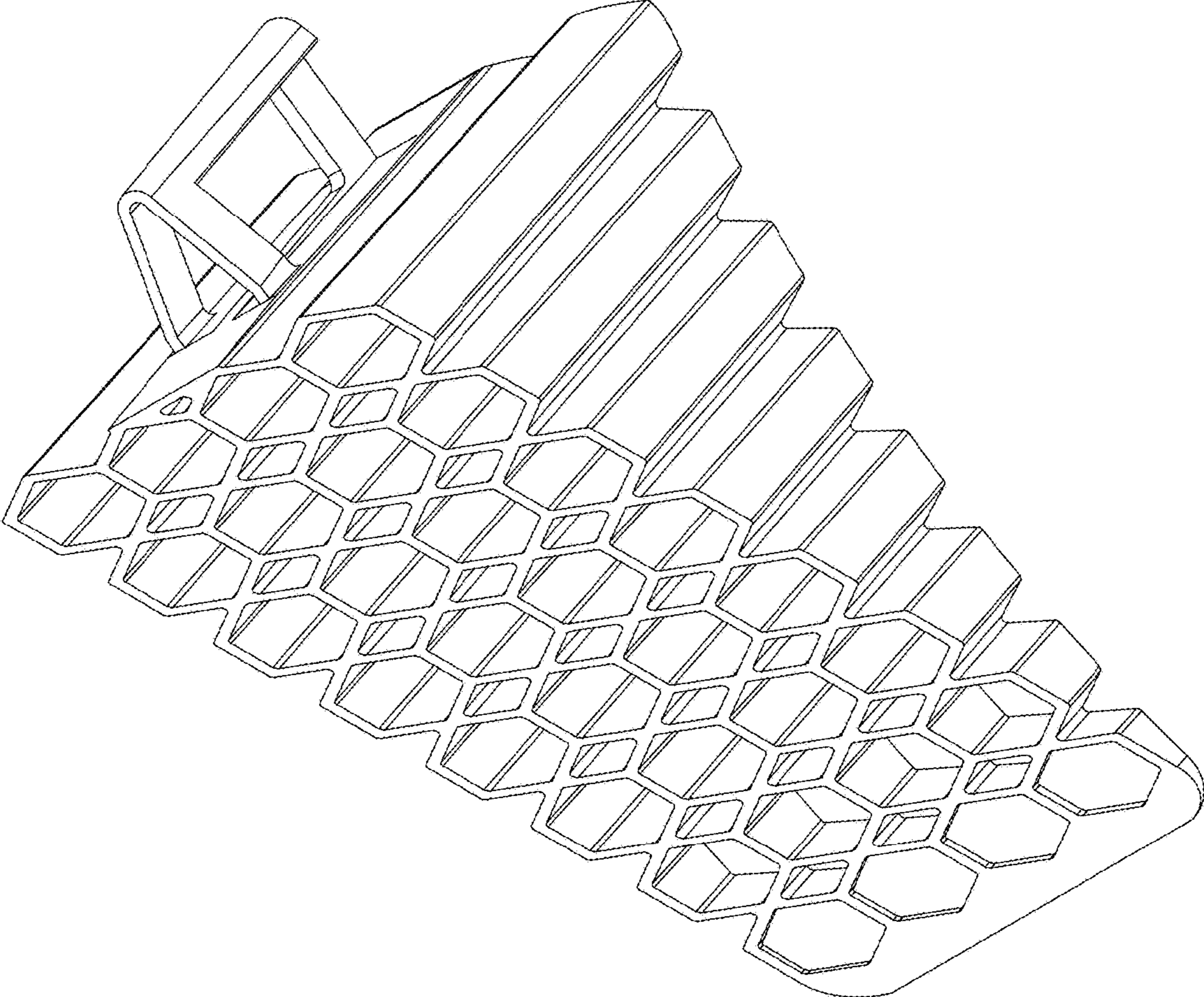


FIG. 4

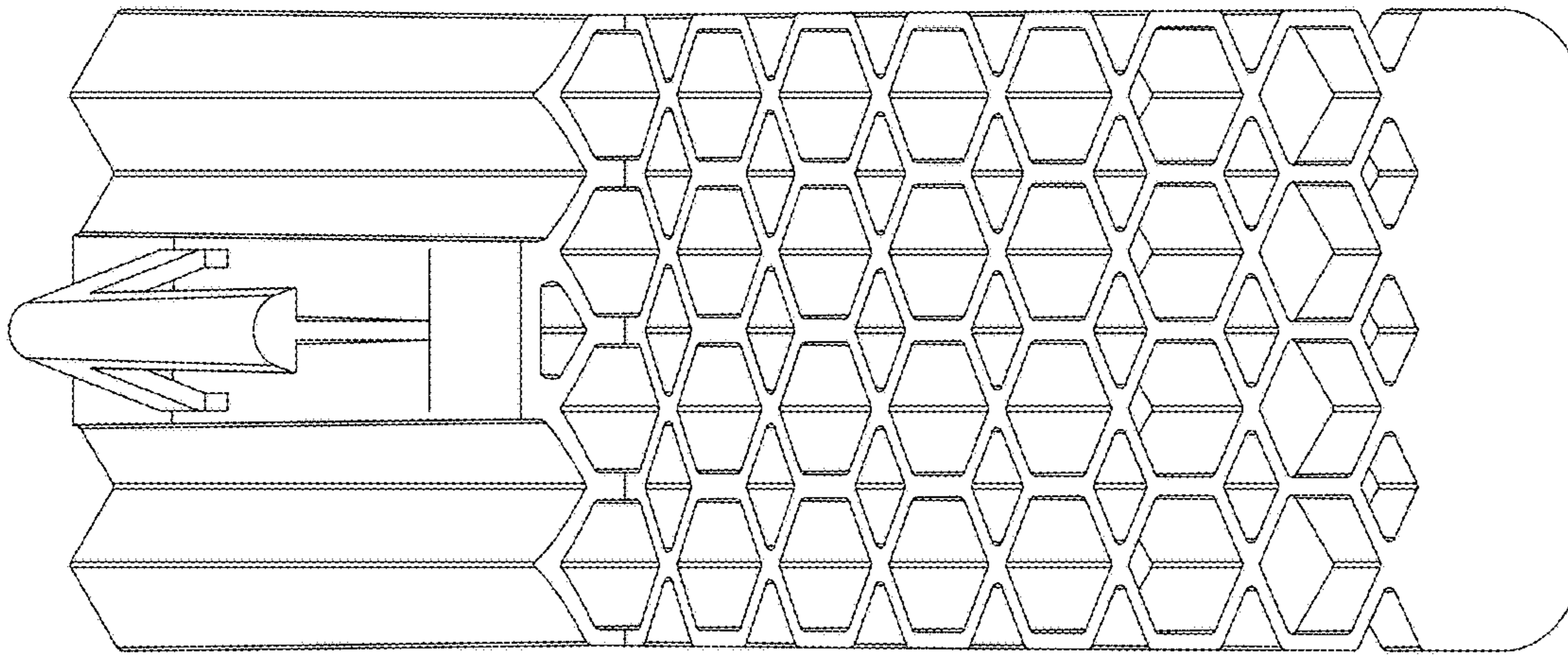


FIG. 5

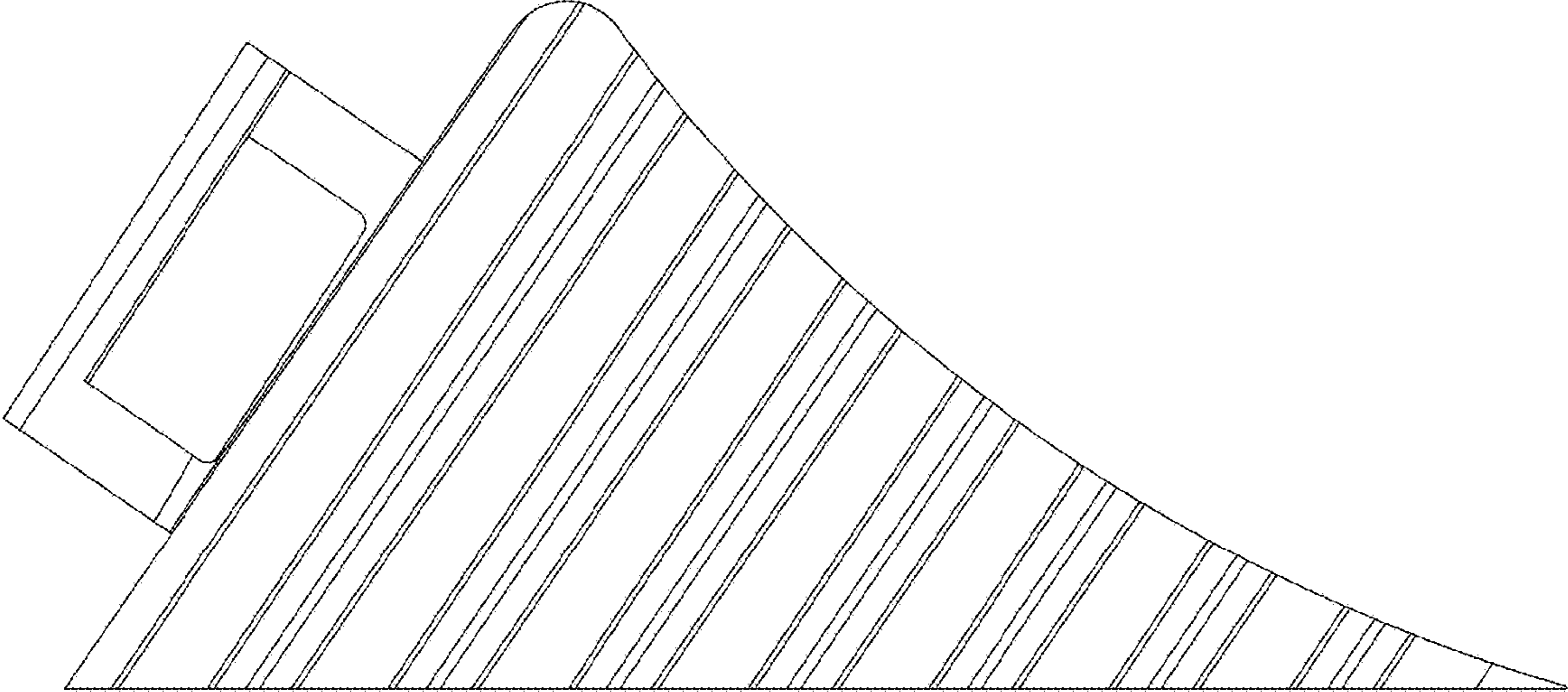


FIG. 6

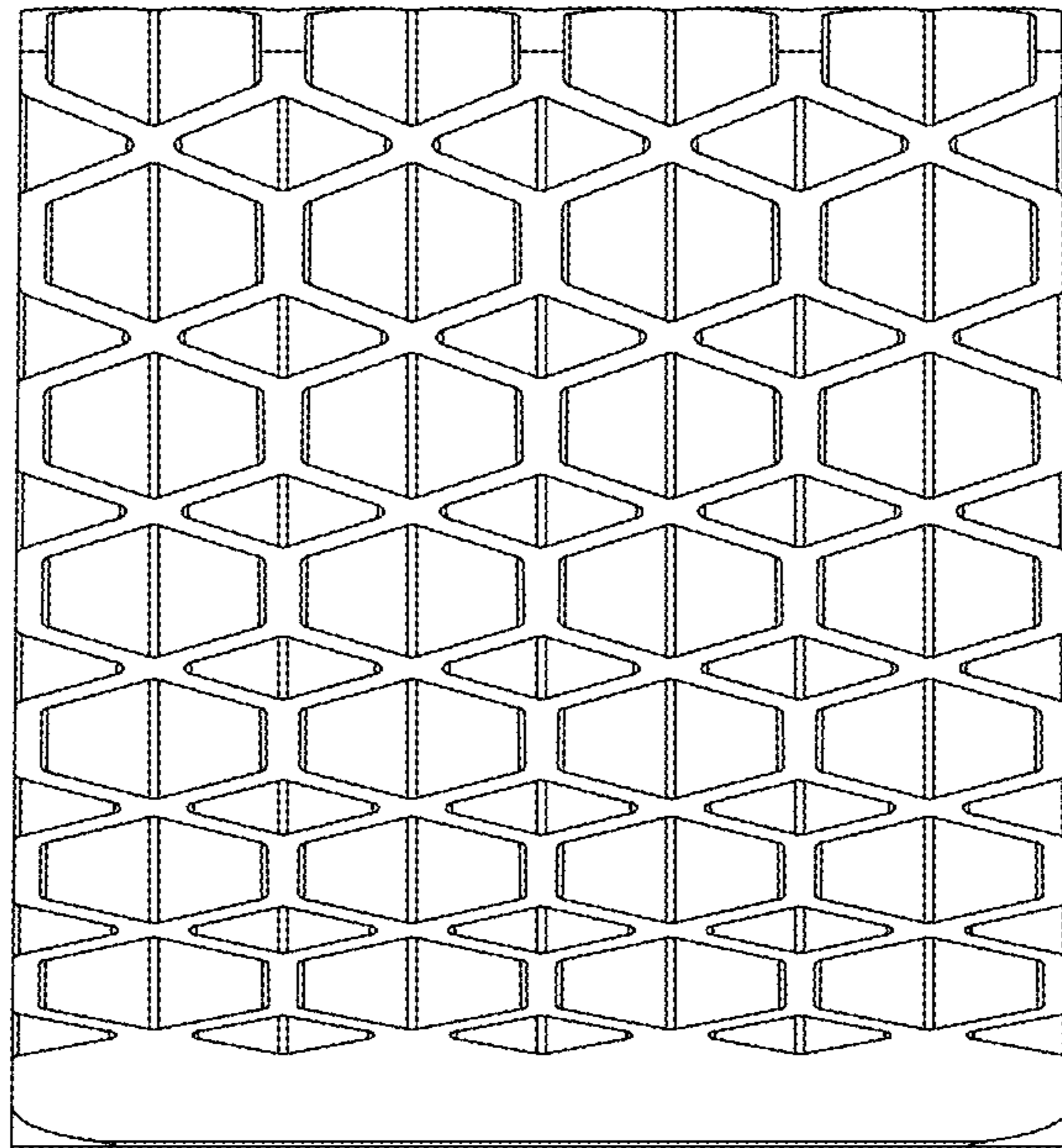


FIG. 7

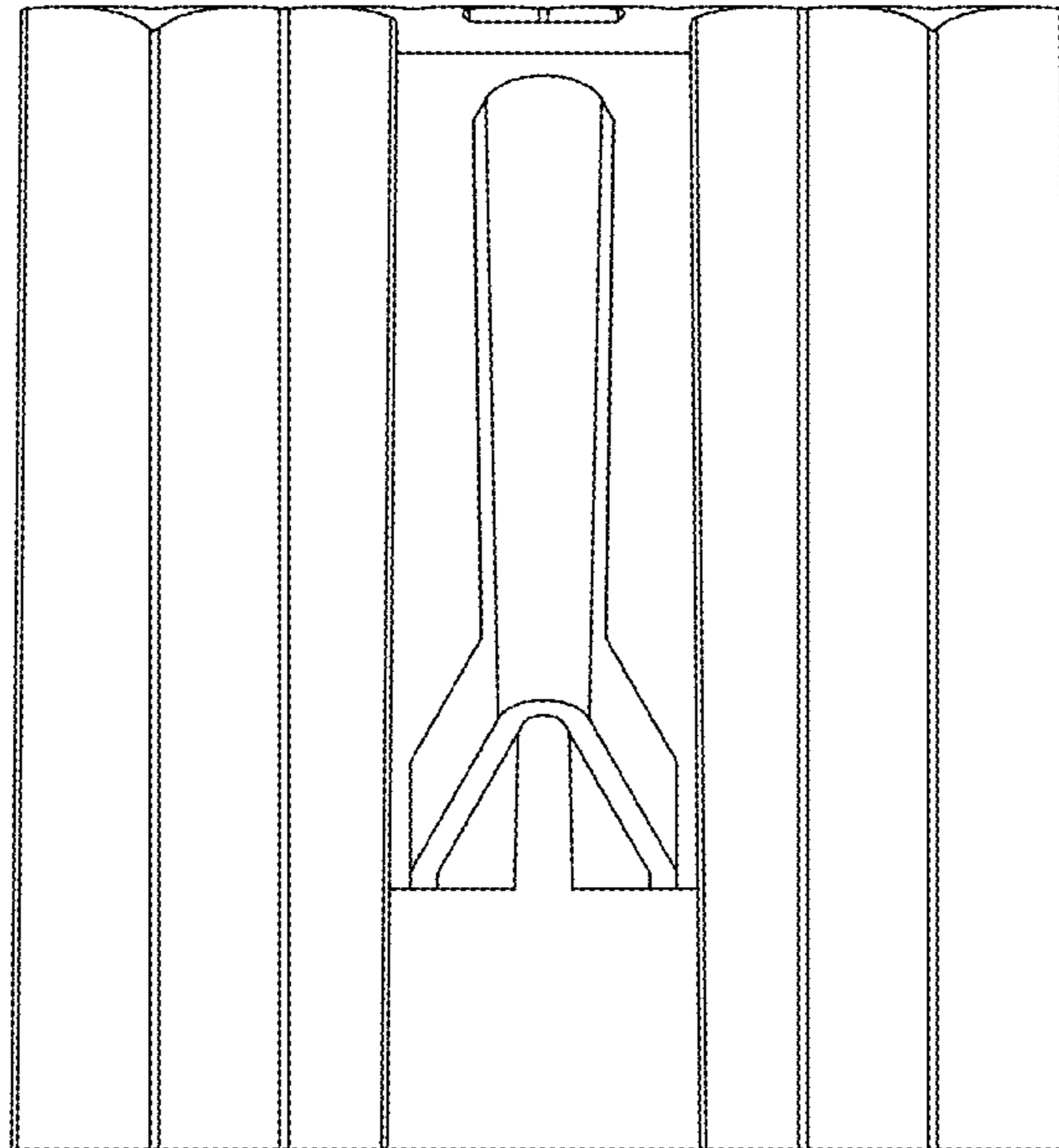


FIG. 8

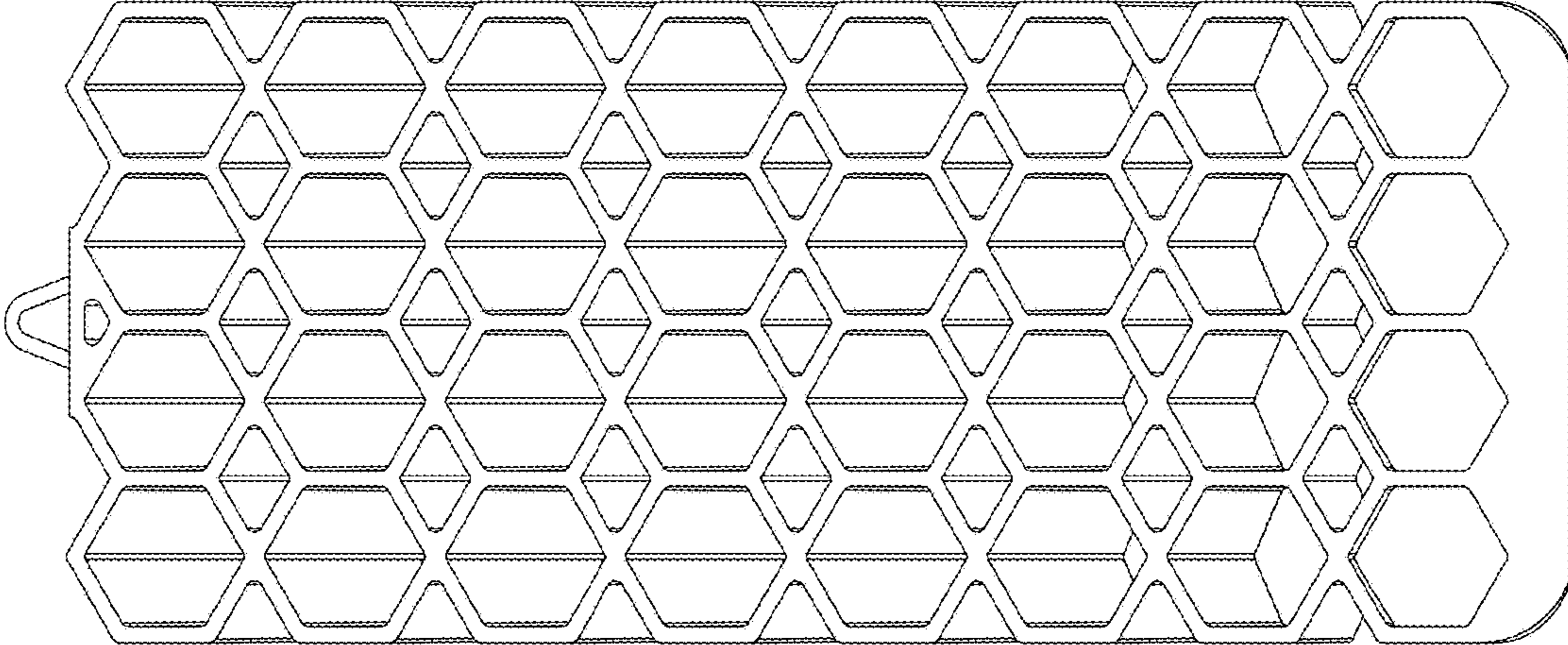


FIG. 9