

US00D860106S

(12) **United States Design Patent** (10) **Patent No.:** **US D860,106 S**
Jones et al. (45) **Date of Patent:** **** Sep. 17, 2019**

(54) **ONE-HANDED, FOREARM-BRACED
PADDLE HANDLE**

2,188,343 A 1/1940 Flournoy 416/63
2,745,119 A 5/1956 Whipple 441/56
2,893,021 A 7/1959 Lundborg 416/63
D186,252 S 9/1959 Roberts D12/215
3,039,120 A 6/1962 Powell et al. 416/63

(71) Applicants: **Ray A. Jones**, Lampe, MO (US);
Ronna G. Haxby, Lampe, MO (US)

(Continued)

(72) Inventors: **Ray A. Jones**, Lampe, MO (US);
Ronna G. Haxby, Lampe, MO (US)

OTHER PUBLICATIONS

(**) Term: **15 Years**

Online store for product referred to as Riveraholic (TM) hand
paddles, accessed online on Mar. 22, 2012, at riveraholic.com (3
sheets).

(21) Appl. No.: **29/657,000**

(Continued)

(22) Filed: **Jul. 18, 2018**

Primary Examiner — Michelle E. Wilson
Assistant Examiner — Clese Moore, Jr.

Related U.S. Application Data

(74) *Attorney, Agent, or Firm* — Jonathan A. Bay

(63) Continuation of application No. 15/645,193, filed on
Jul. 10, 2017, which is a continuation-in-part of
application No. 15/422,964, filed on Feb. 2, 2017,
now abandoned, which is a continuation of
application No. 15/010,304, filed on Jan. 29, 2016,
now abandoned, which is a continuation-in-part of
application No. 13/854,540, filed on Apr. 1, 2013,
now abandoned.

(57) **CLAIM**

The ornamental design for a one-handed, forearm-braced
paddle handle, as shown and described.

(51) **LOC (12) Cl.** **12-06**

(52) **U.S. Cl.**
USPC **D12/215**

(58) **Field of Classification Search**
USPC D12/215, 306, 317; D21/798, 801, 807,
D21/679
CPC ... A63B 31/08; B63H 16/04; B63H 2016/046
See application file for complete search history.

DESCRIPTION

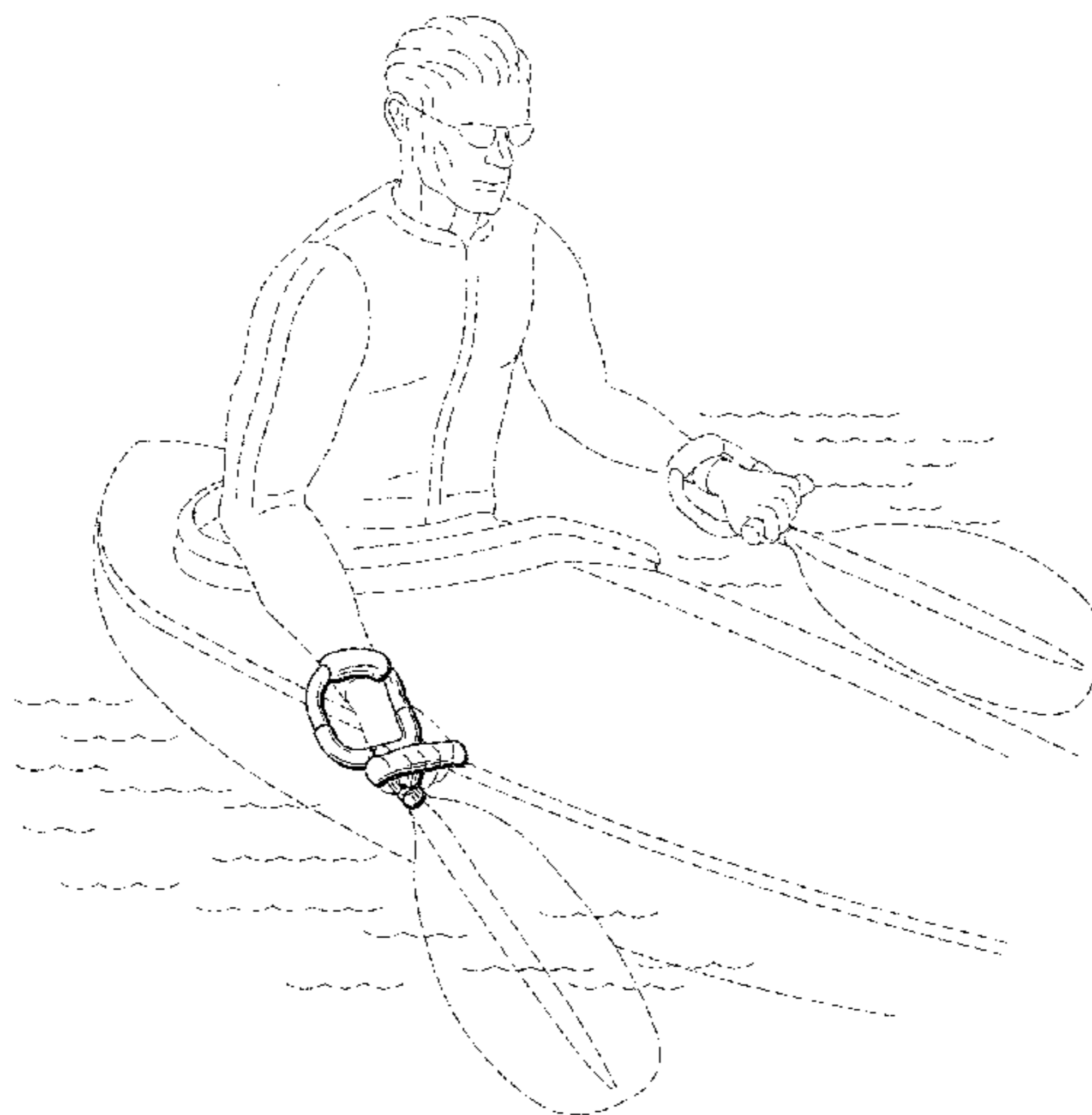
FIG. 1 is a perspective view of a one-handed, forearm-
braced paddle handle showing our new design;
FIG. 2 is a perspective view comparable to FIG. 1 except on
enlarged scale;
FIG. 3 is a perspective view comparable to FIG. 2 except
from a vantage point on about a 180° orbit relative to FIG.
2 but in about the same overhead plane;
FIG. 4 is a side elevational view of FIG. 3, the opposite side
being a mirror opposite;
FIG. 5 is a top plan view thereof;
FIG. 6 is a bottom plan view thereof;
FIG. 7 is front elevational view thereof; and,
FIG. 8 is a rear elevational view thereof.
The broken lines in the drawing represent environmental
subject matter that forms no part of the claimed design.

(56) **References Cited**

U.S. PATENT DOCUMENTS

545,706 A 9/1895 Mannes 416/63
969,528 A 9/1910 Disbrow 16/430
1,621,693 A * 3/1927 Theobald A63B 31/08
2/20
1,715,571 A * 6/1929 Robertson A63B 31/08
441/58

1 Claim, 8 Drawing Sheets



(56)

References Cited

U.S. PATENT DOCUMENTS

3,109,184	A	11/1963	Moore	416/63
3,117,325	A *	1/1964	Shelton	A63B 31/08 416/63
3,153,797	A	10/1964	Drennen	416/63
3,407,419	A	10/1968	Drummond	441/56
3,518,024	A	6/1970	Wilson	416/63
4,233,925	A	11/1980	Proctor	440/101
4,493,663	A	1/1985	Richmond	440/101
4,509,744	A	4/1985	Beasley	482/111
4,673,361	A *	6/1987	Harvey	B63H 16/04 416/72
4,813,458	A	3/1989	Jacobucci	15/236.02
5,062,816	A	11/1991	Berglund et al.	440/101
D343,608	S *	1/1994	Nazara	D12/215
5,288,254	A *	2/1994	Elson	A63B 31/10 441/56
D353,573	S	12/1994	Liveoak	D12/215
5,378,217	A	1/1995	D'Orta	482/111
5,379,758	A	1/1995	Snyder	15/143.1
D362,834	S *	10/1995	Stout	D12/215
D363,458	S	10/1995	Killen	D12/215
D363,754	S *	10/1995	Johnson	D21/807
D378,307	S *	3/1997	Desveaux	D21/807
5,795,201	A	8/1998	Tibbetts	440/101
5,832,563	A	11/1998	Simpson	16/110.1
5,842,896	A	12/1998	Liveoak	441/56
5,954,074	A	9/1999	Mattson	135/68
6,398,603	B1	6/2002	Brown	441/56
6,709,306	B2	3/2004	Brown	441/56
7,311,573	B1	12/2007	Dillenschneider	440/101
7,367,858	B2	5/2008	Matsuka et al.	440/101
D578,596	S *	10/2008	Hicks	D21/807
D632,629	S *	2/2011	Bradley	D12/215
7,950,975	B1	5/2011	Chapman, Jr.	16/430
8,016,118	B2	9/2011	Boll	209/417

D673,105	S *	12/2012	Spain	D12/215
D693,285	S *	11/2013	Hall	D12/215
D769,787	S *	10/2016	Schweiger	D12/215
D801,907	S *	11/2017	Gilman	D12/215
D804,392	S *	12/2017	Harvell	D12/215
D818,930	S *	5/2018	Bell	D12/215
D823,417	S *	7/2018	Chataigner	D21/807
D826,357	S *	8/2018	Warren	D21/807
2006/0174449	A1	8/2006	Hughes	16/430
2013/0039776	A1	2/2013	Adams	416/70 R
2016/0151657	A1 *	6/2016	Kugielsky	A63B 21/072 482/93
2017/0014986	A1 *	1/2017	Chou	B25G 1/06
2017/0065854	A1 *	3/2017	Gacek	A63B 31/10
2017/0232303	A1 *	8/2017	Chadwick	A63B 69/12 434/254
2018/0049842	A1 *	2/2018	Bowles	A61B 17/2909
2018/0050778	A1 *	2/2018	Jones	B63H 16/04

OTHER PUBLICATIONS

Online store for product referred to as Praddel (TM) compact paddle, accessed online on Mar. 22, 2012, at apsltd.com/c-2790-praddel-comapact-hand-paddle.aspx (1 sheet).

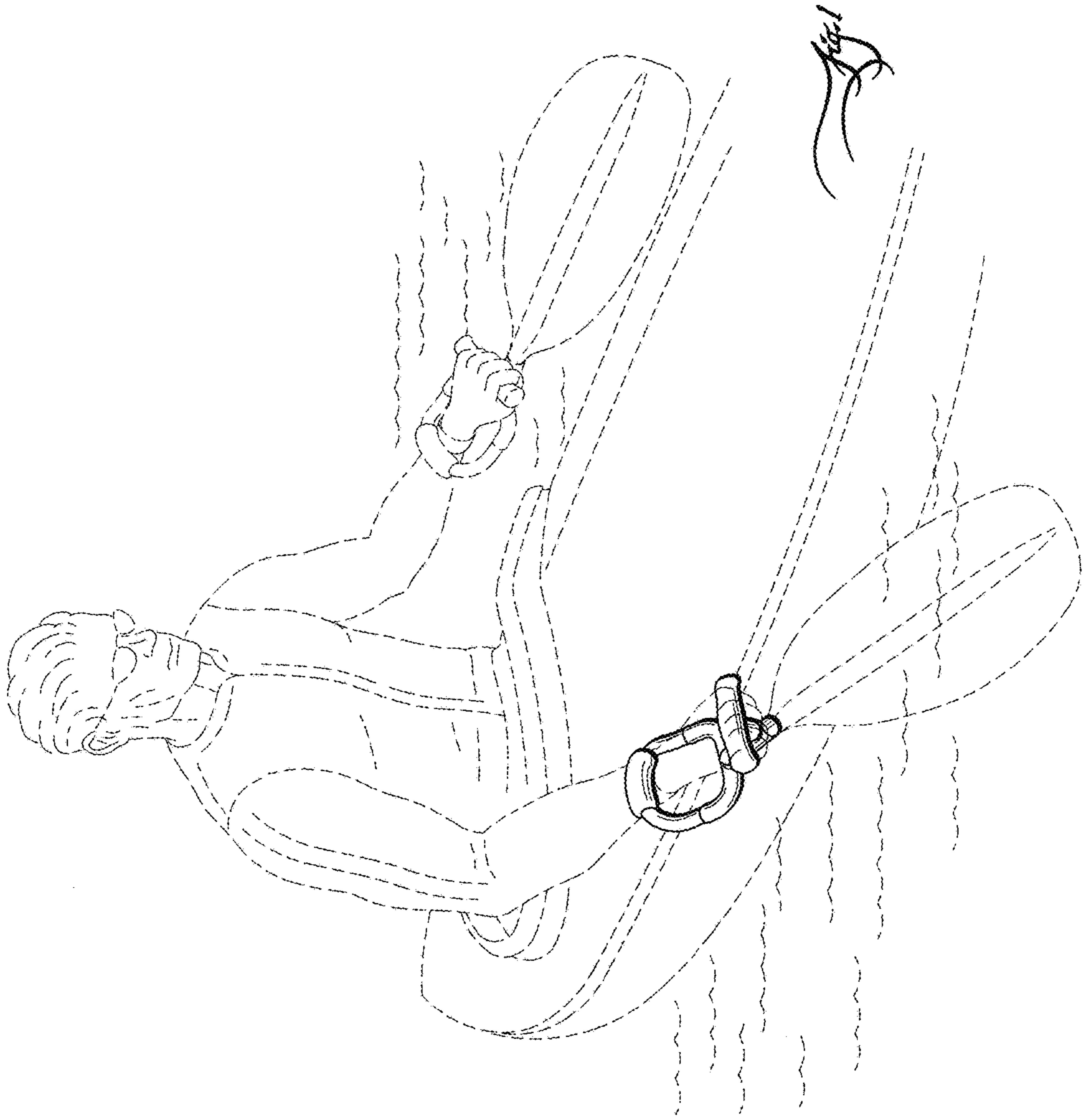
Online store for product referred to as Finis (TM) paddles, accessed online on Mar. 22, 2012, at finisinc.com (2 sheets).

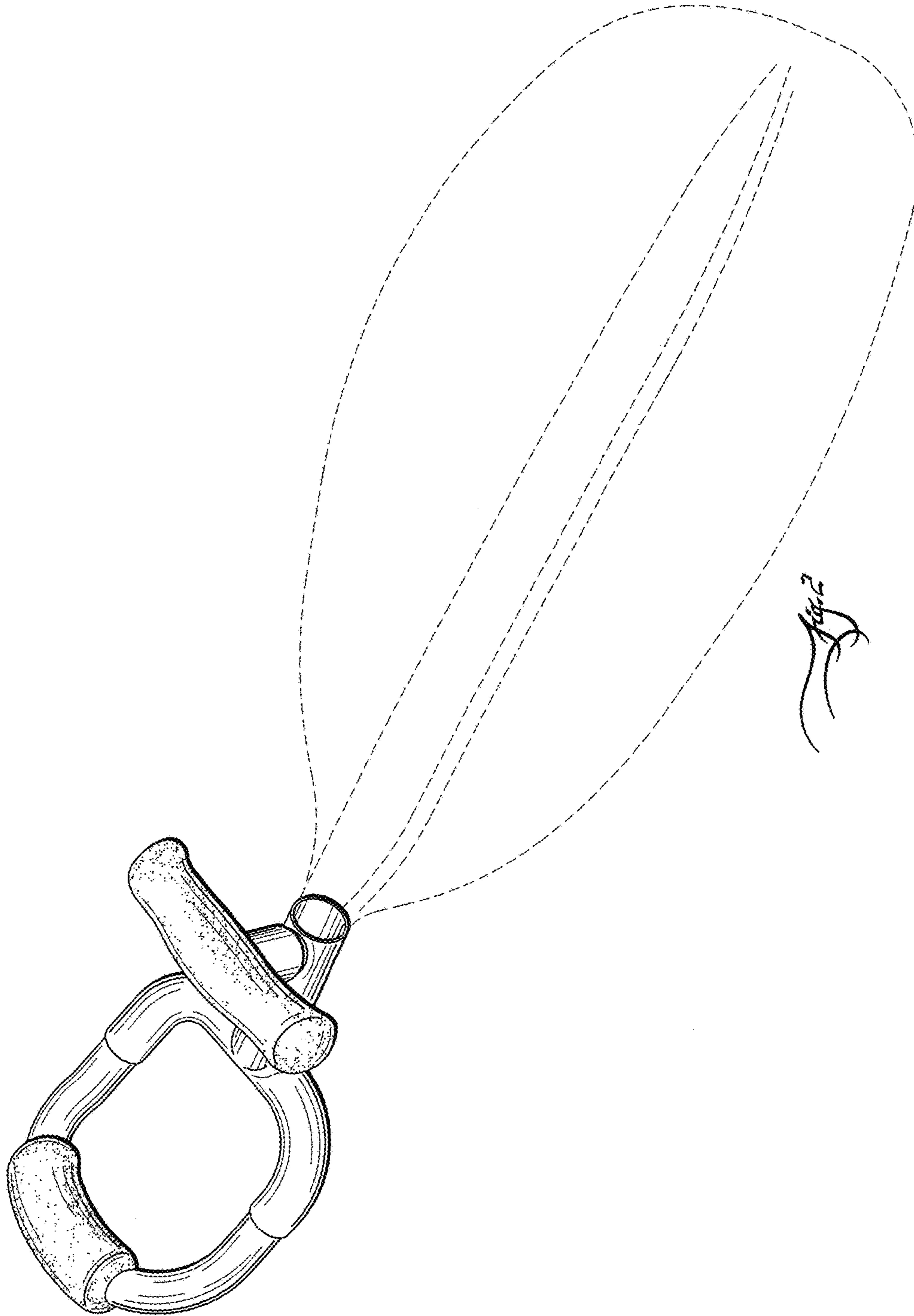
Online store for product referred to as Backwater Hand Paddles (TM), accessed online on Mar. 22, 2012, at backwaterpaddles.com (2 sheets).

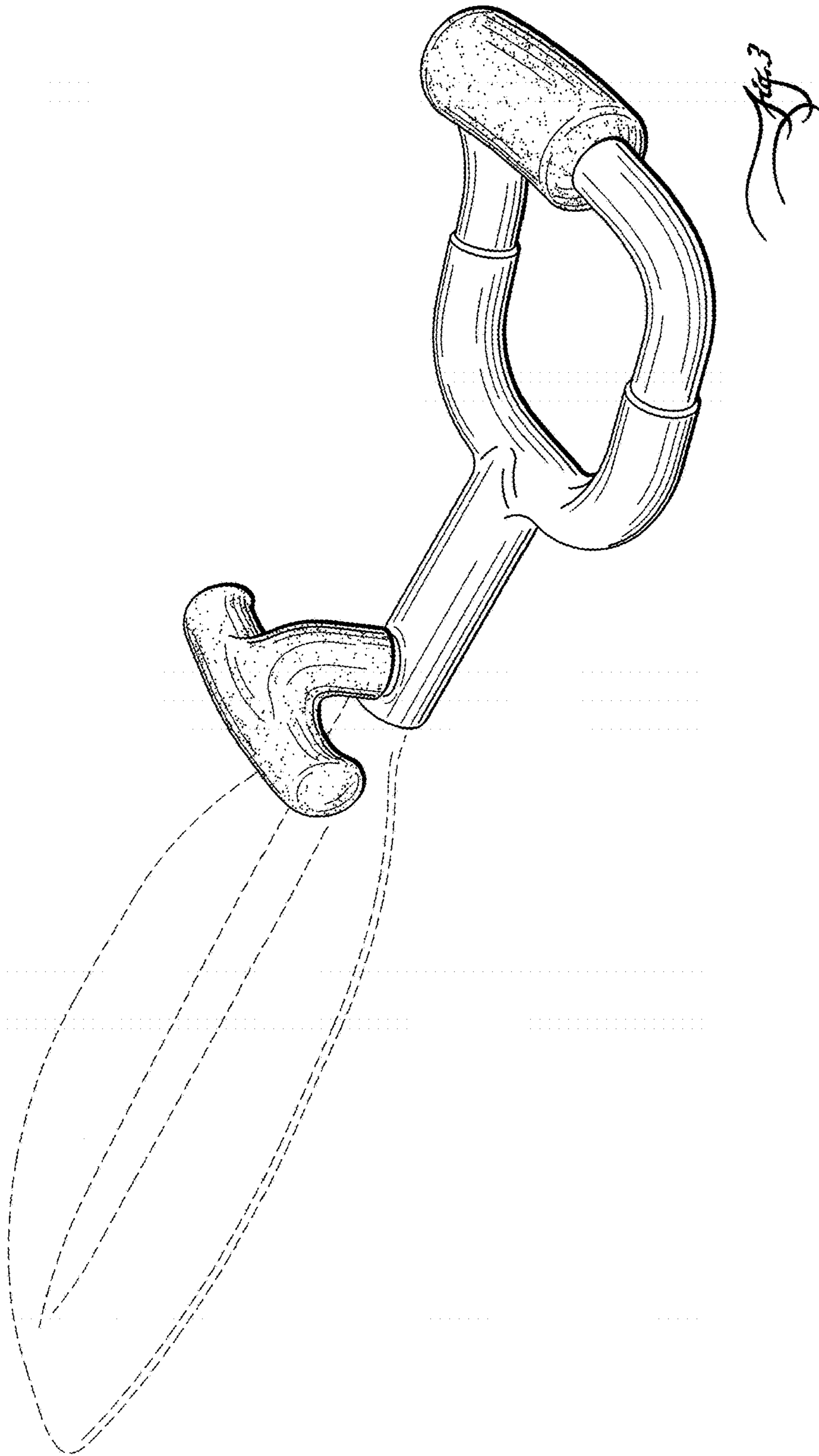
Online store for product referred to as Chosen Valley Creating Ability one arm paddle, accessed online on Mar. 22, 2012, at creatingability.com/hand.html.

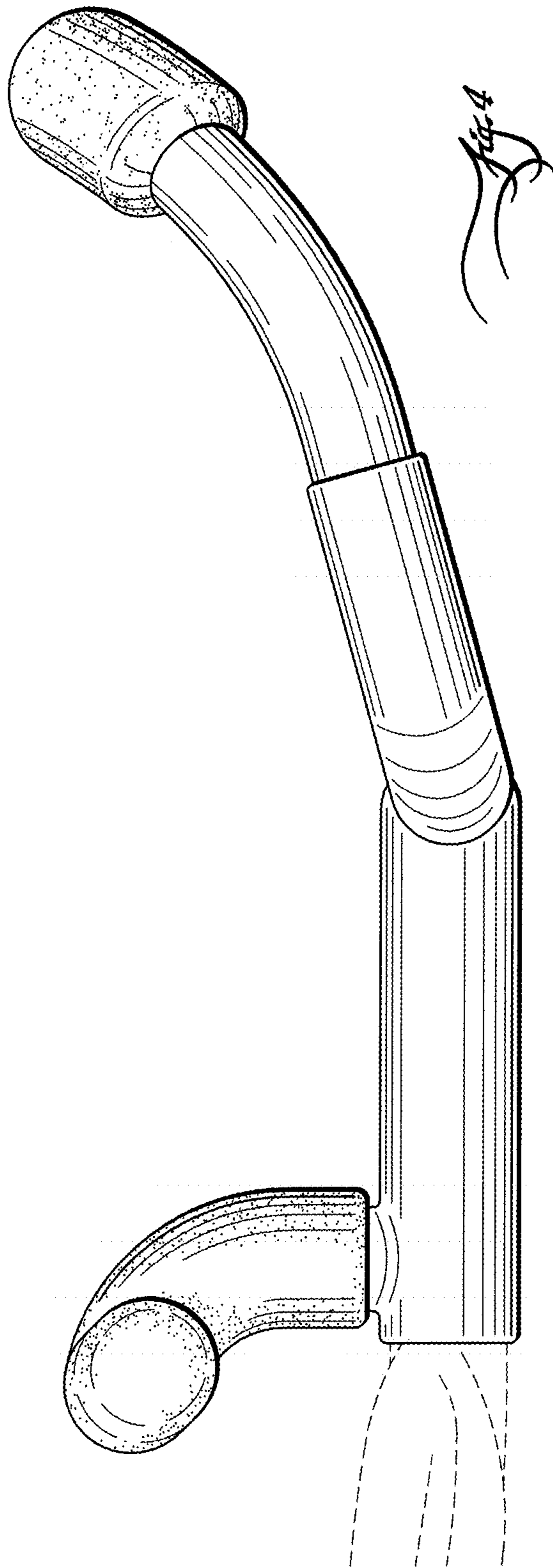
Article entitled, "How a Paddle Works," accessed online on Jan. 29, 2016, at http://www.guillemot-kayaks.com/guillemot/information/kayak_design/how_a_paddle_works.

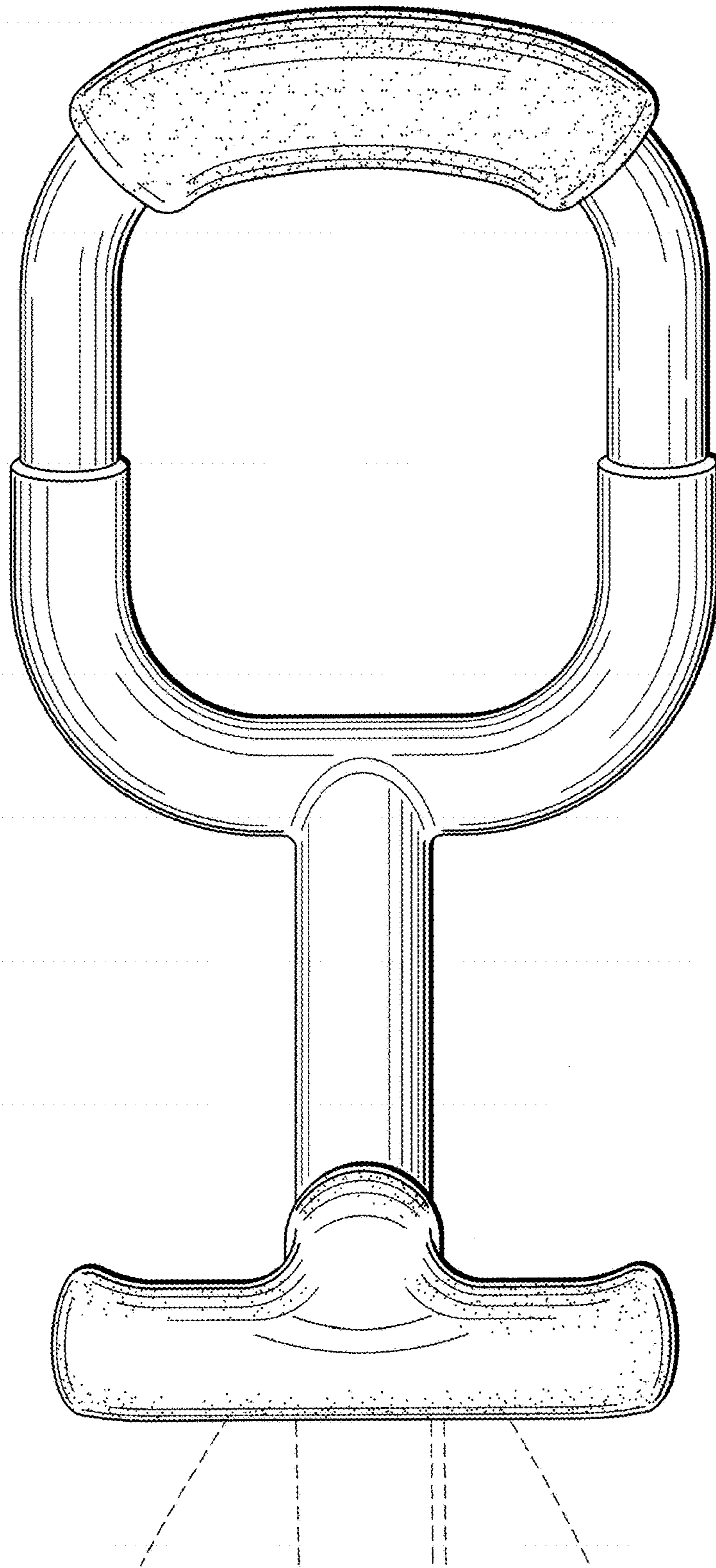
* cited by examiner











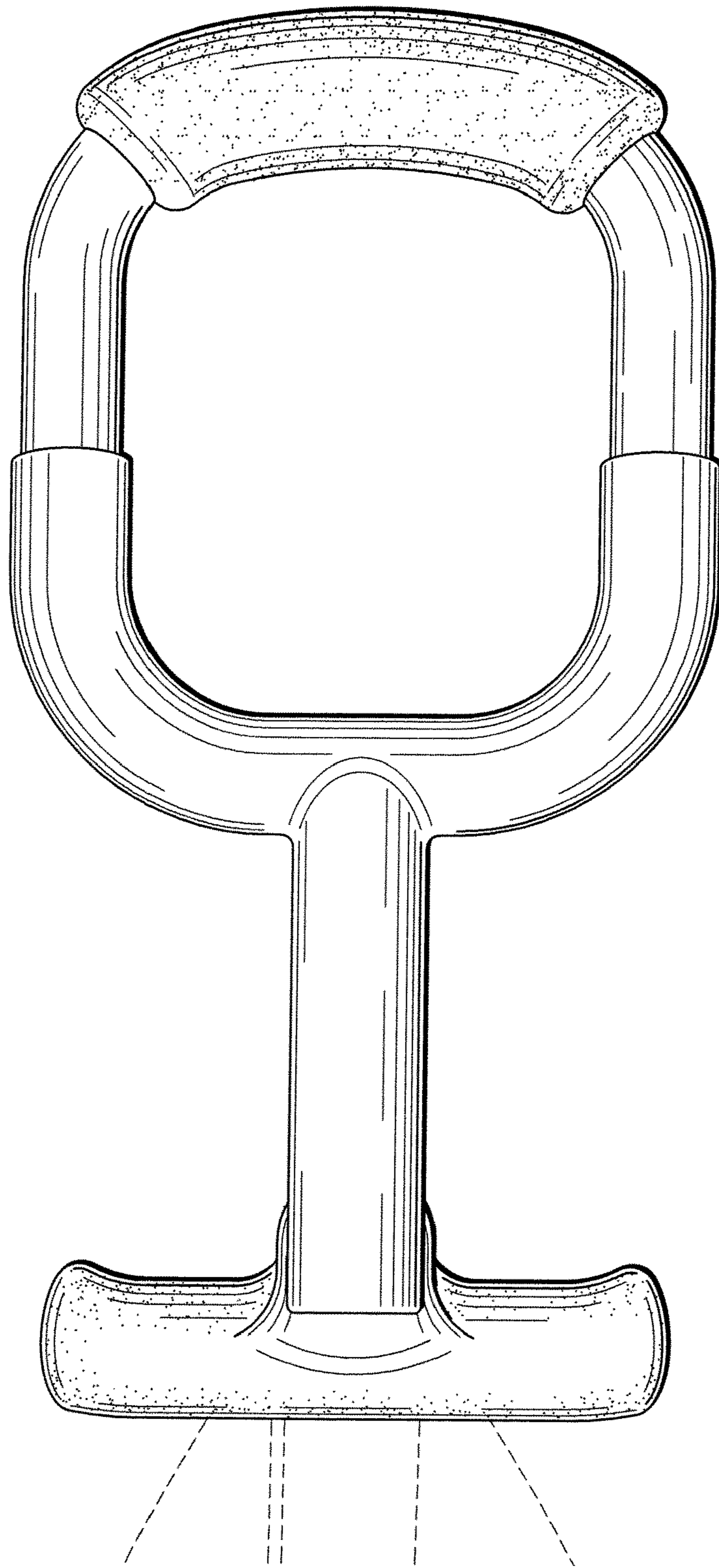


Fig. 6

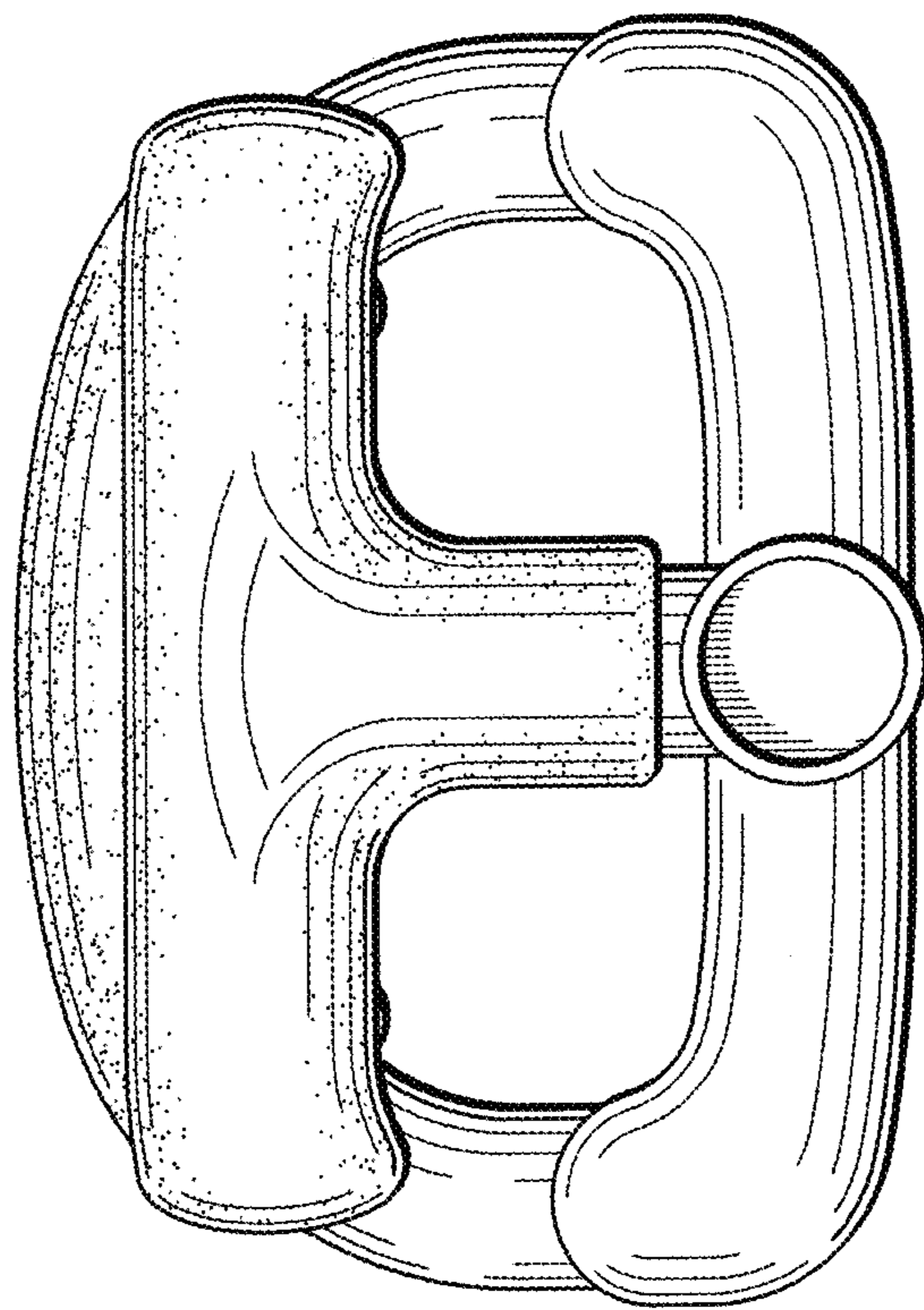


Fig. 7

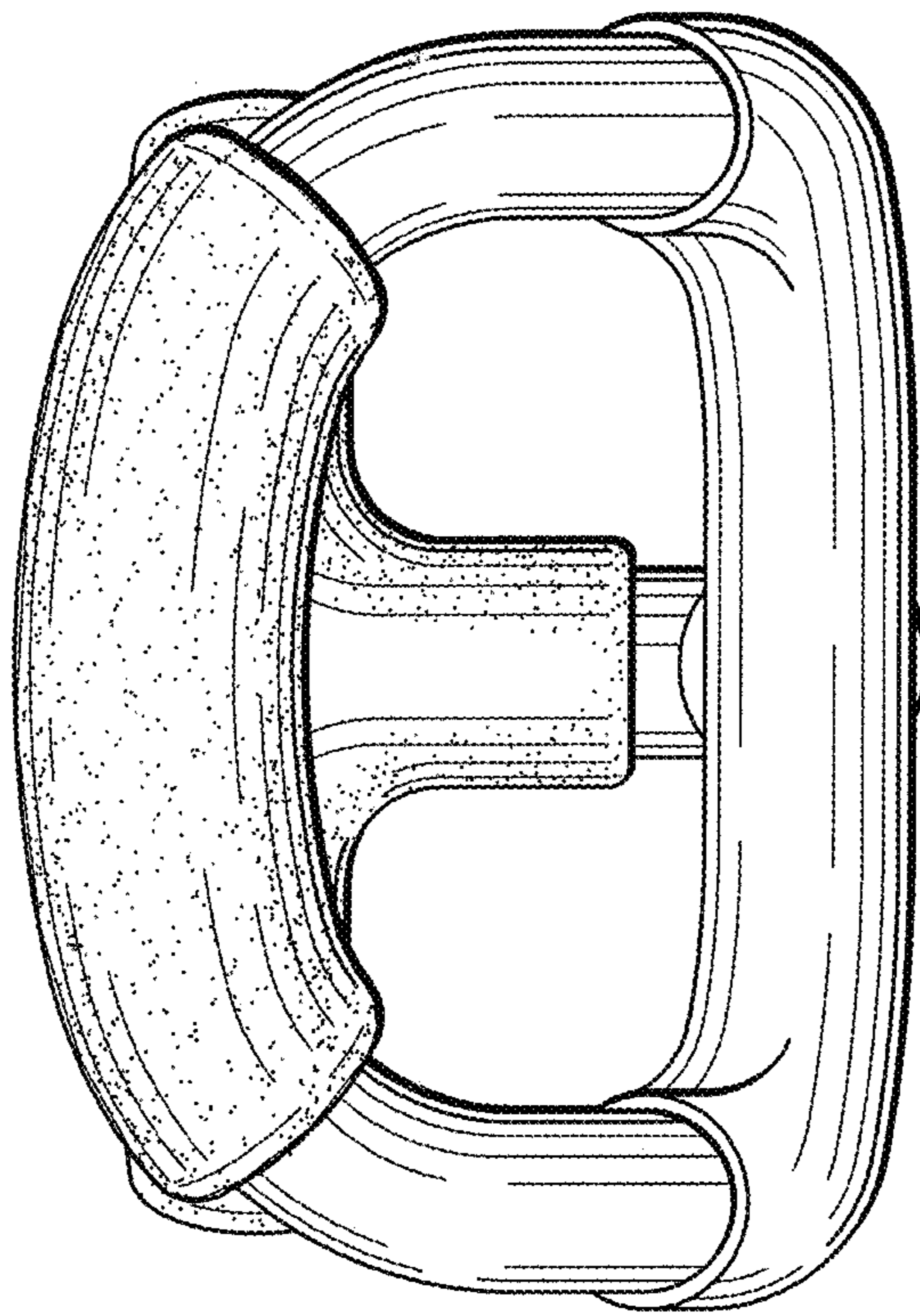


Fig. 8