

US00D860105S

(12) **United States Design Patent**
Moore et al.

(10) **Patent No.:** **US D860,105 S**

(45) **Date of Patent:** **** Sep. 17, 2019**

(54) **WHEEL CAP**

(71) Applicant: **O.E. Wheel Distributors, LLC,**
Sarasota, FL (US)

(72) Inventors: **James Moore,** Sarasota, FL (US);
Chris Hagens, Sarasota, FL (US);
Lance Bullock, Sarasota, FL (US)

(73) Assignee: **O.E. WHEEL DISTRIBUTORS,**
LLC, Sarasota, FL (US)

(**) Term: **15 Years**

(21) Appl. No.: **29/627,763**

(22) Filed: **Nov. 29, 2017**

(51) **LOC (12) Cl.** **12-16**

(52) **U.S. Cl.**
USPC **D12/213**

(58) **Field of Classification Search**
USPC D12/204–213; D21/533, 561, 563
CPC B60B 7/00; B60B 7/02; B60B 7/04; B60B
7/06; B60B 3/02; B60B 3/04; B60B 3/06;
B60B 3/10; B60B 1/00; B60B 1/08;
B60B 1/10; B60B 1/12
See application file for complete search history.

(56) **References Cited**

U.S. PATENT DOCUMENTS

D680,047 S * 4/2013 Hale, Jr. D12/209
D686,963 S * 7/2013 Hale, Jr. D12/211

D691,542 S * 10/2013 Chan D12/209
D691,545 S * 10/2013 Gordon D12/211
D702,174 S * 4/2014 Gordon D12/213
D706,193 S * 6/2014 Lee D12/209
D715,722 S * 10/2014 Johnson D12/211
D721,318 S * 1/2015 Kim D12/211
RE45,446 E * 4/2015 Hale, Jr. D12/211
D766,805 S * 9/2016 Chung D12/211
D803,753 S * 11/2017 Zhao D12/211
D818,412 S * 5/2018 Oldham D12/211
D822,575 S * 7/2018 Chung D12/209
D831,554 S * 10/2018 Caldwell D12/207
D838,228 S * 1/2019 Chung D12/213

* cited by examiner

Primary Examiner — Sheryl Lane

Assistant Examiner — Calvin E Vansant

(74) *Attorney, Agent, or Firm* — Shumaker, Loop &
Kendrick, LLP

(57) **CLAIM**

We claim the ornamental design for a wheel cap, as shown
and described.

DESCRIPTION

FIG. 1 is a front perspective view of a wheel cap showing
our new design;

FIG. 2 is a front view thereof;

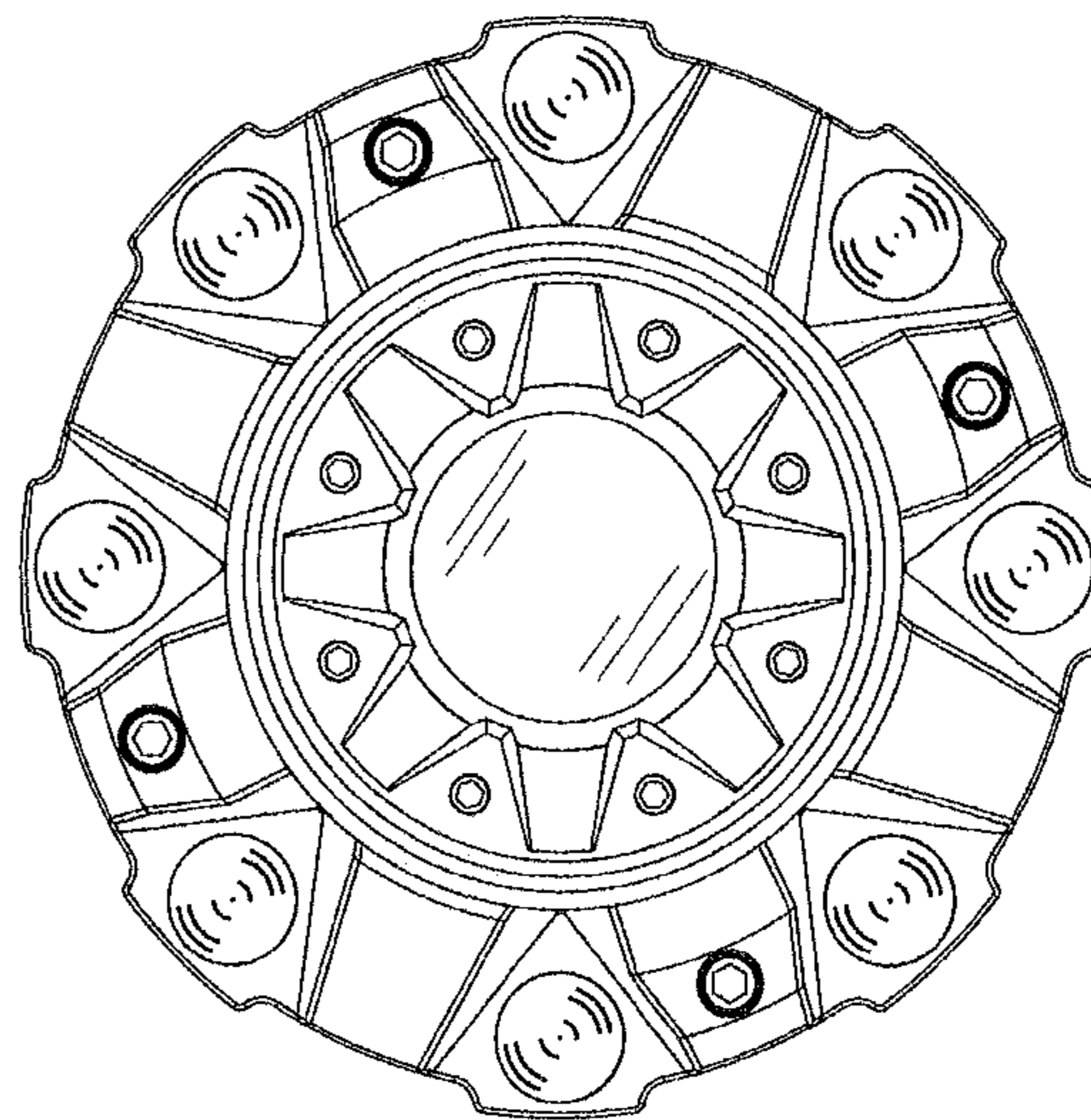
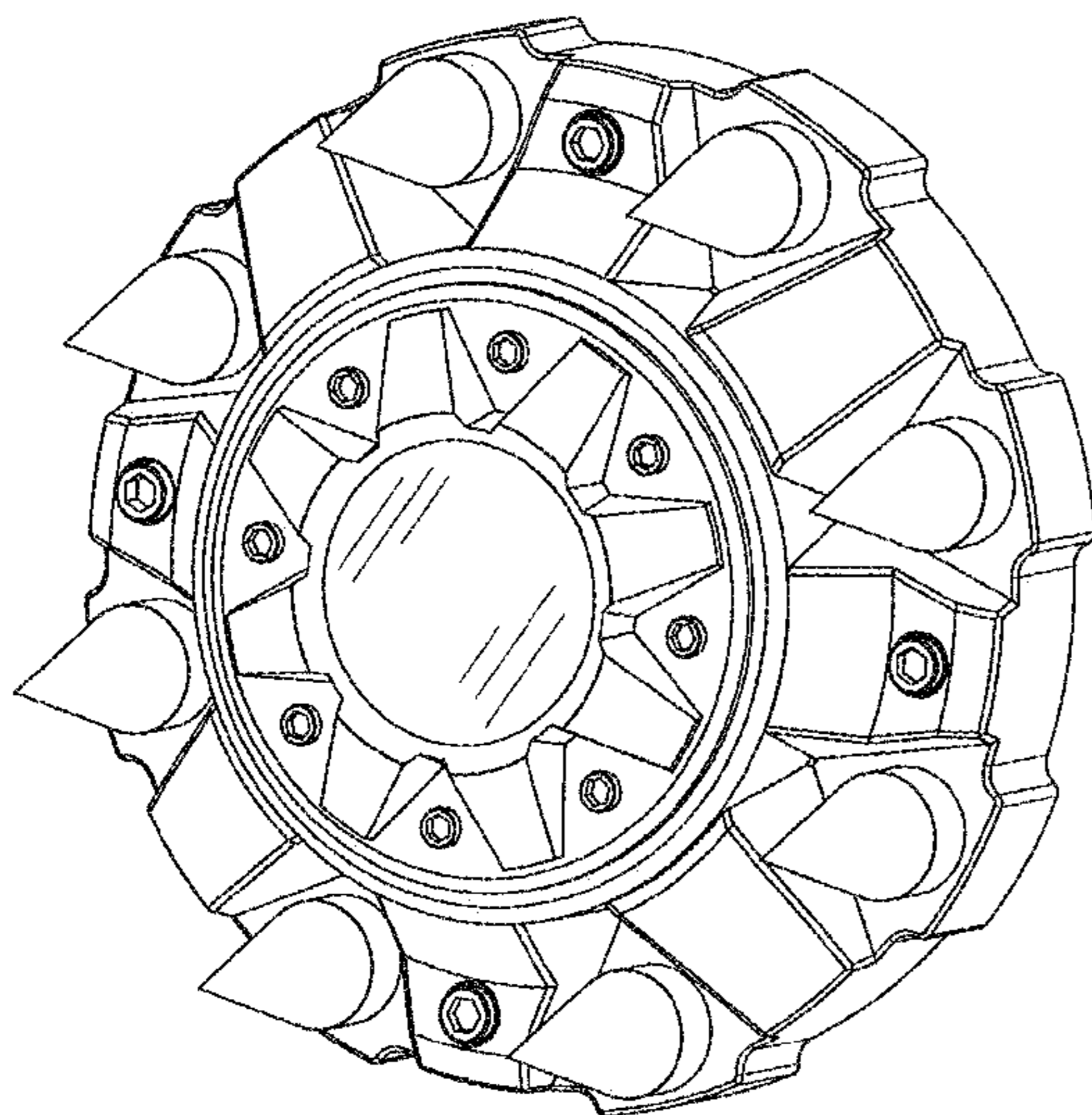
FIG. 3 is a top view thereof;

FIG. 4 is a bottom view thereof;

FIG. 5 is a left side view thereof; and,

FIG. 6 is a right side view thereof.

1 Claim, 4 Drawing Sheets



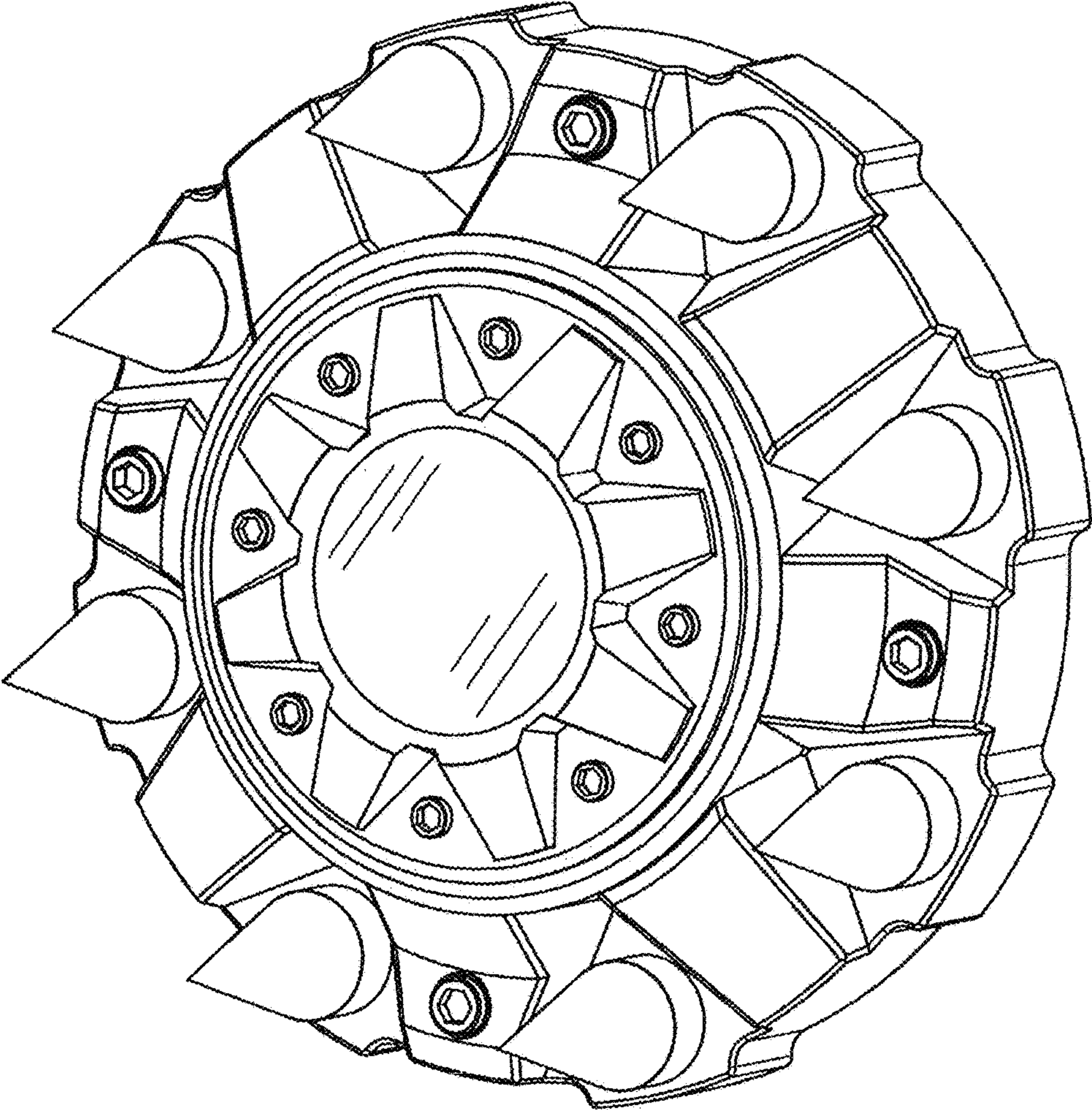


FIG. 1

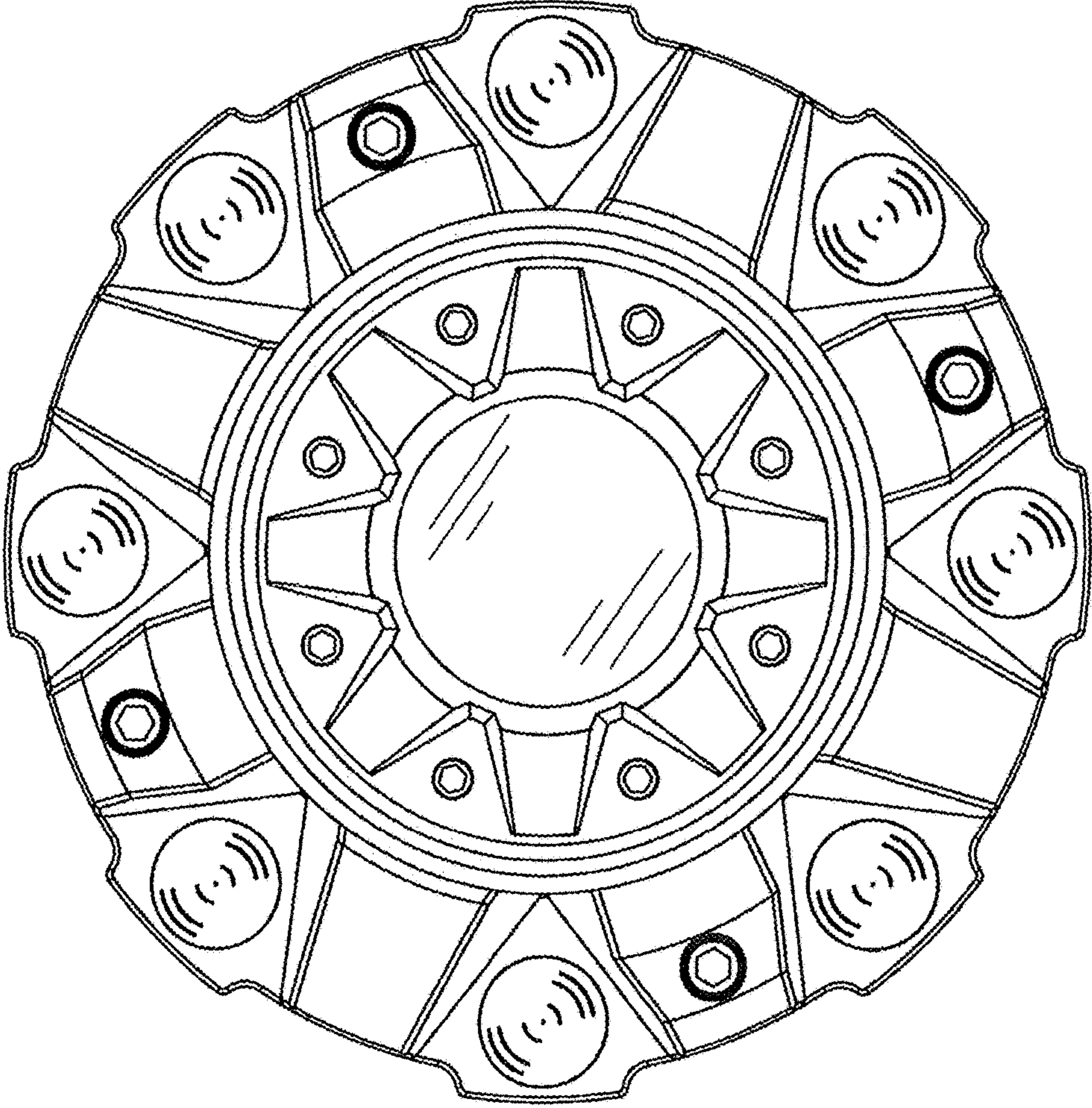


FIG. 2

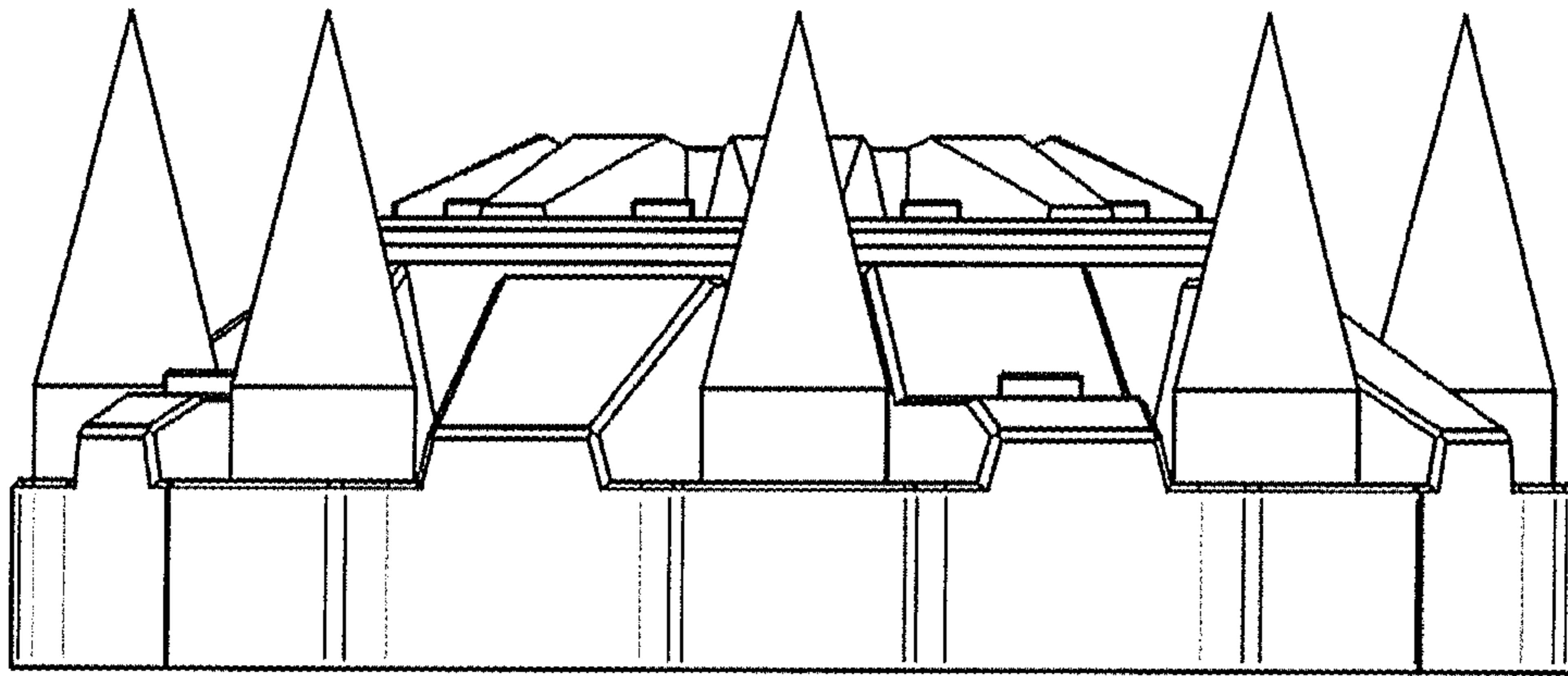


FIG. 3

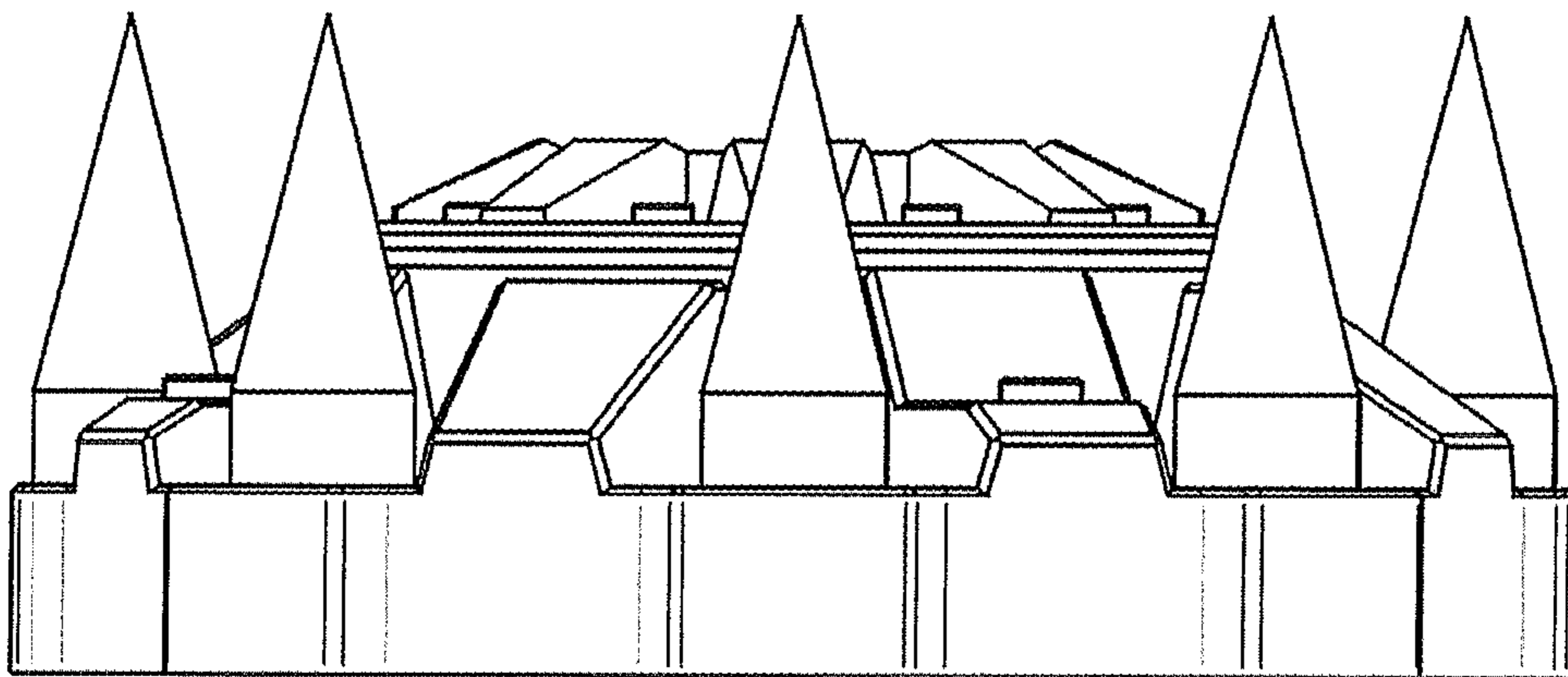


FIG. 4

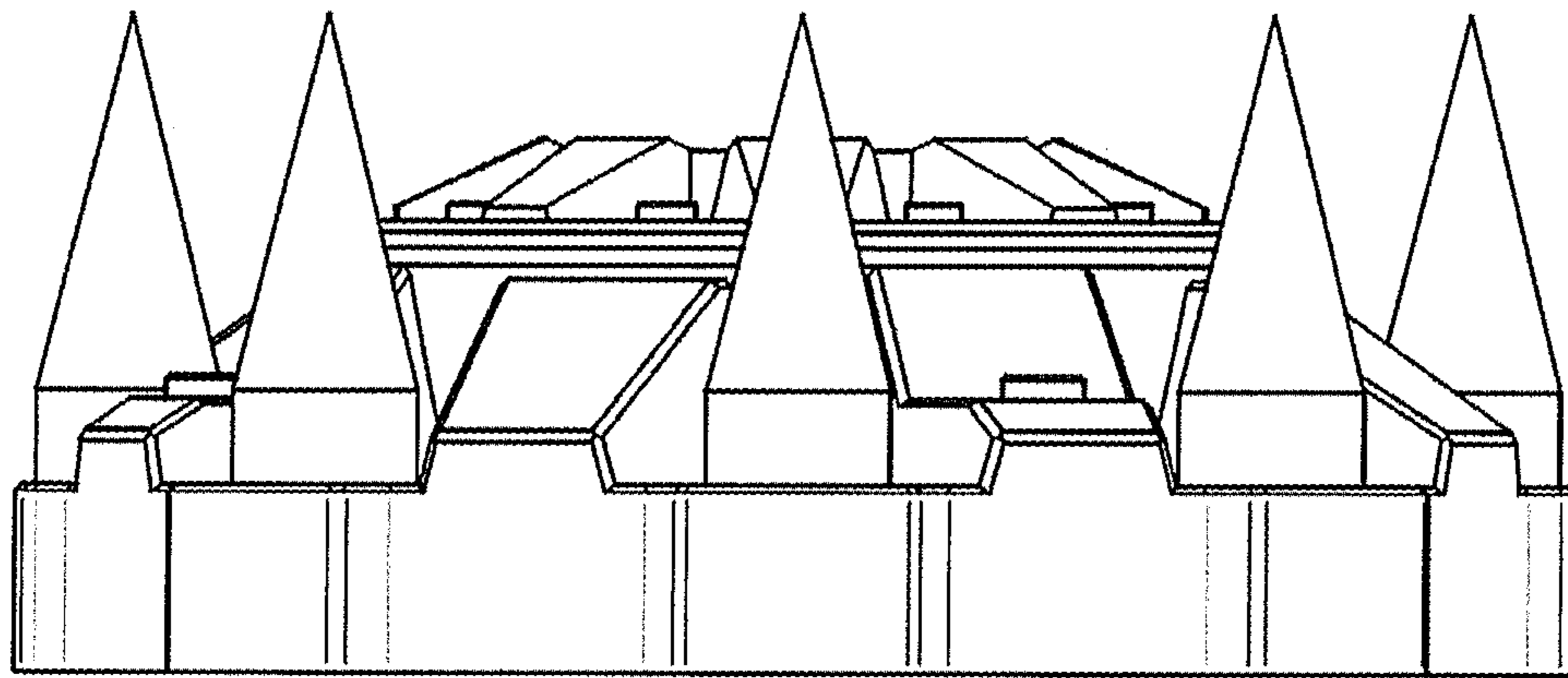


FIG. 5

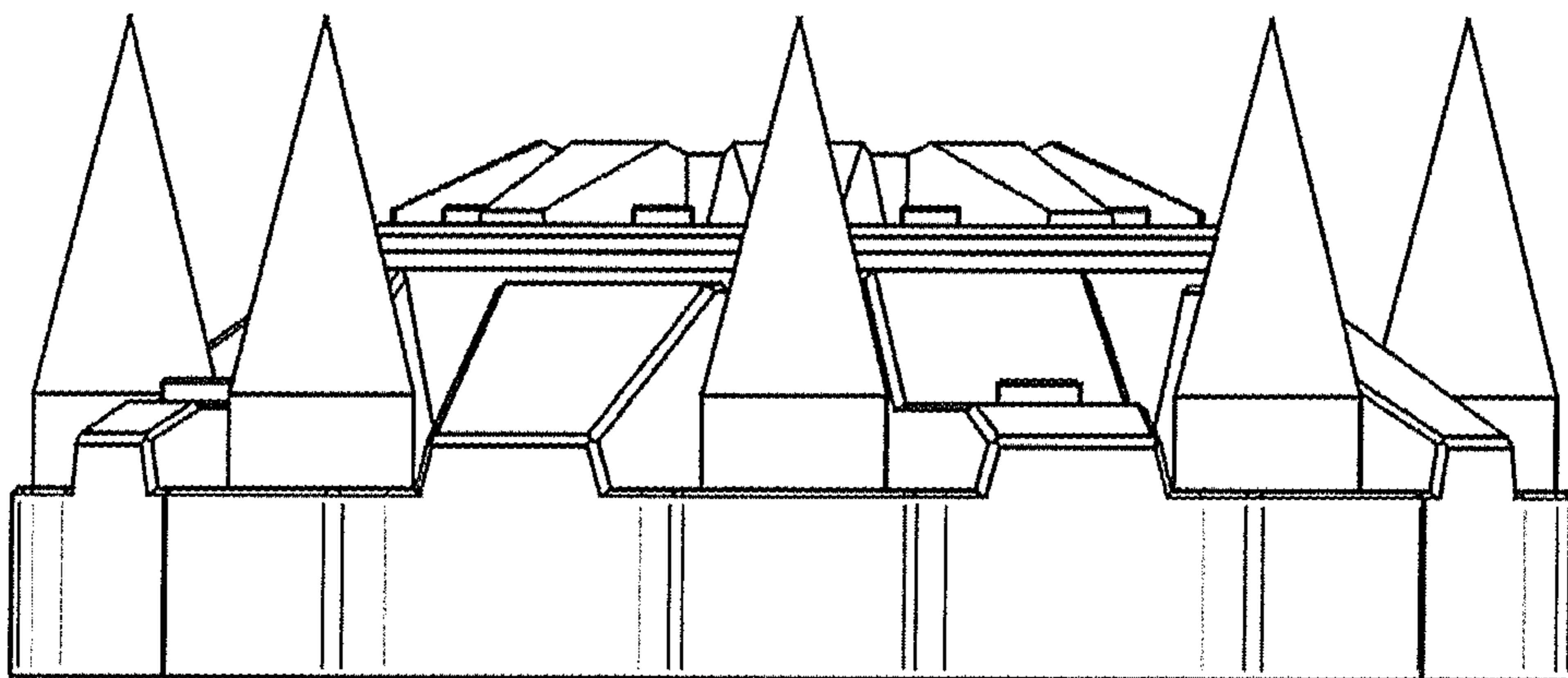


FIG. 6