



US00D860103S

(12) **United States Design Patent**
Milani

(10) **Patent No.:** **US D860,103 S**

(45) **Date of Patent:** **** Sep. 17, 2019**

(54) **AUTOMOBILE WHEEL**

(71) Applicant: **Elite Wheel Warehouse**, Tampa, FL
(US)

(72) Inventor: **Hamed Milani**, Tampa, FL (US)

(**) Term: **15 Years**

(21) Appl. No.: **29/638,735**

(22) Filed: **Feb. 28, 2018**

(51) **LOC (12) Cl.** **12-16**

(52) **U.S. Cl.**
USPC **D12/211**

(58) **Field of Classification Search**
USPC D12/204–213
CPC B60B 7/00; B60B 7/02; B60B 7/04; B60B
7/01; B60B 7/06; B60B 3/02; B60B 3/04;
B60B 3/06; B60B 3/10; B60B 1/00;
B60B 1/08; B60B 1/10; B60B 1/12
See application file for complete search history.

(56) **References Cited**

U.S. PATENT DOCUMENTS

D659,063 S * 5/2012 Johnson D12/209
D671,483 S * 11/2012 Chung D12/211

D695,196 S * 12/2013 Zane D12/211
D704,122 S * 5/2014 Chung D12/211
D715,721 S * 10/2014 Chung D12/211
D721,318 S * 1/2015 Kim D12/211
D726,624 S * 4/2015 Chung D12/211
D766,805 S * 9/2016 Chung D12/211
D775,051 S * 12/2016 Alfonso D12/211
D791,051 S * 7/2017 Johnson D12/211
D803,753 S * 11/2017 Zhao D12/211
D823,214 S * 7/2018 Chung D12/209
D830,278 S * 10/2018 Aslam D12/213
D832,761 S * 11/2018 Johnson D12/209

* cited by examiner

Primary Examiner — Stacia A Cadmus

(74) *Attorney, Agent, or Firm* — Justin Luby

(57) **CLAIM**

The ornamental design for an automobile wheel, as shown and described.

DESCRIPTION

FIG 1 is a perspective view of an automobile wheel, showing my new design; FIG. 2 is a front view thereof; and, FIG. 2 is a front view of the automobile wheel.

In the drawings the broken lines depict environmental subject matter and form no part of the claimed design.

1 Claim, 2 Drawing Sheets

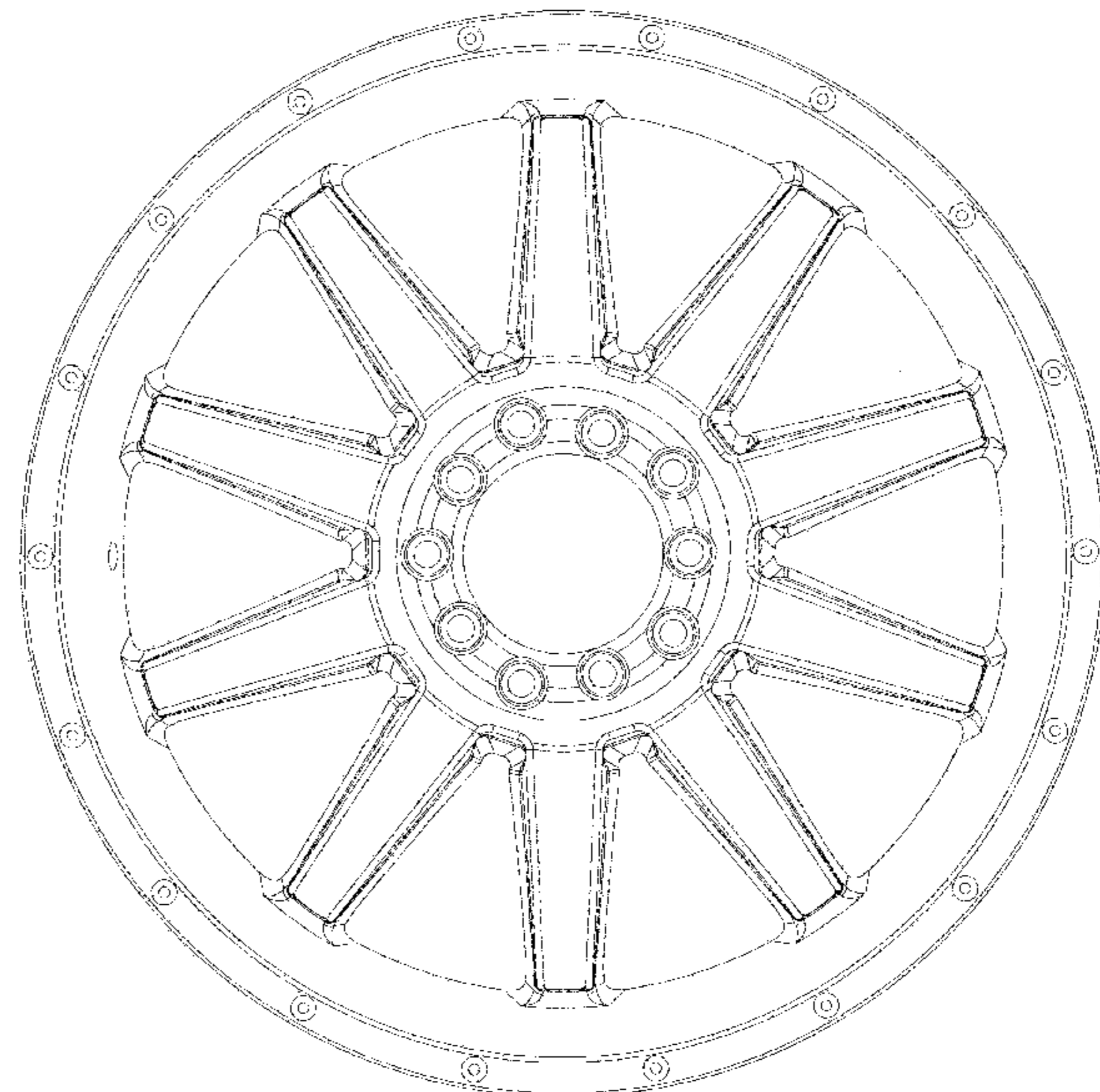
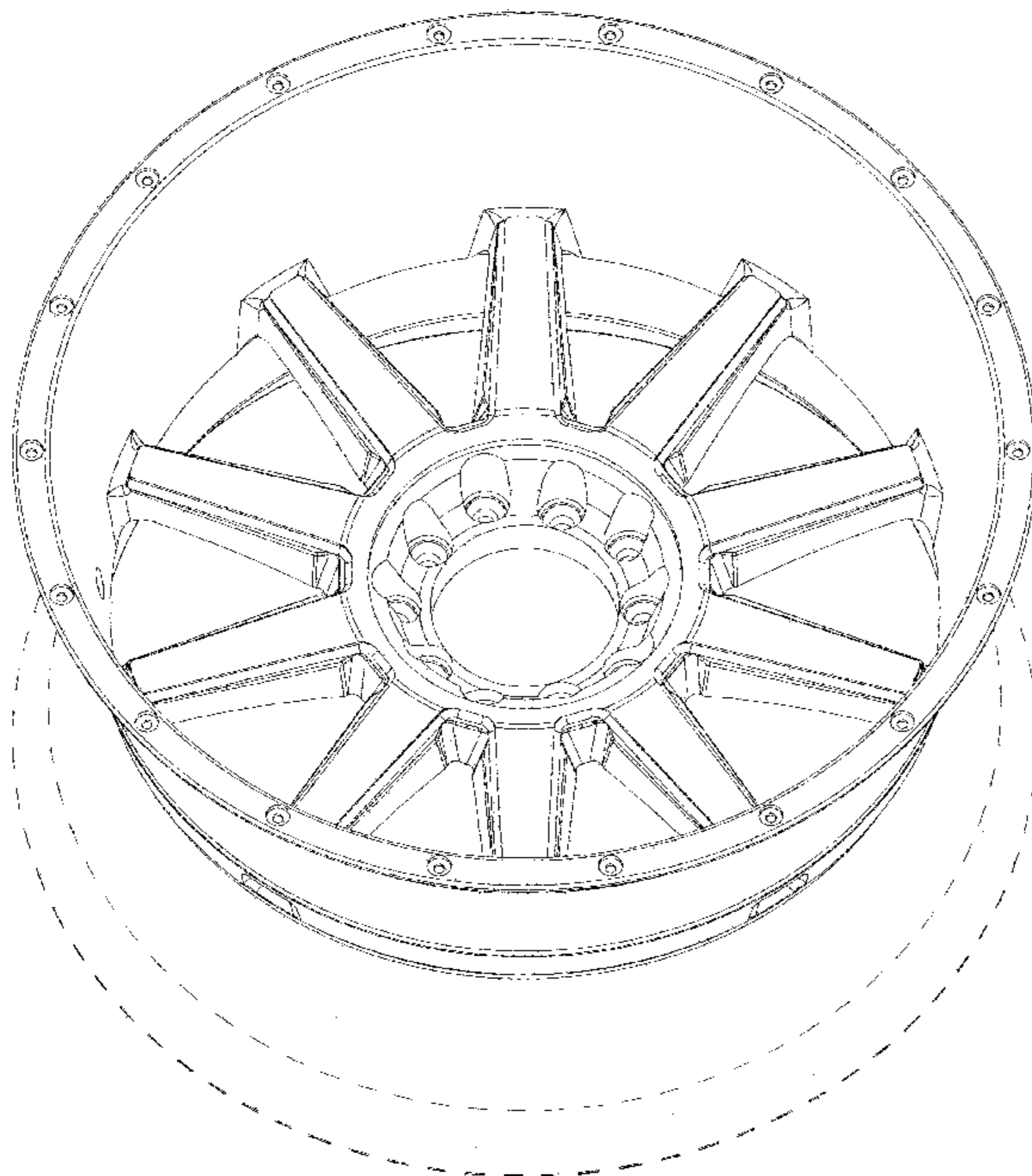


FIG.1

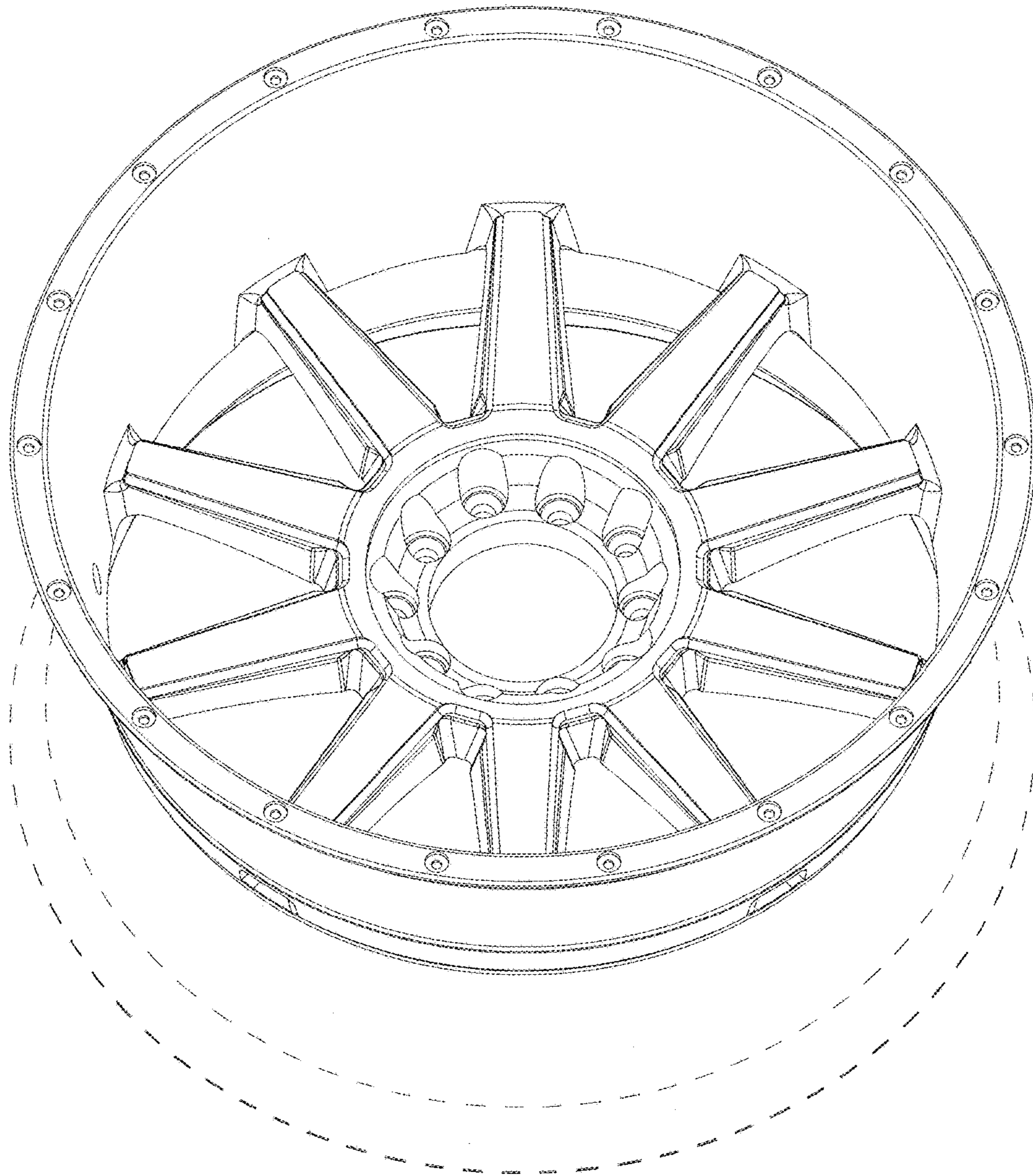


FIG.2

