



US00D860096S

(12) **United States Design Patent**
Milani

(10) **Patent No.:** **US D860,096 S**

(45) **Date of Patent:** **** Sep. 17, 2019**

(54) **AUTOMOBILE WHEEL**

(71) Applicant: **Elite Wheel Warehouse**, Tampa, FL
(US)

(72) Inventor: **Hamed Milani**, Tampa, FL (US)

(**) Term: **15 Years**

(21) Appl. No.: **29/638,752**

(22) Filed: **Feb. 28, 2018**

(51) **LOC (12) Cl.** **12-16**

(52) **U.S. Cl.**
USPC **D12/209**

(58) **Field of Classification Search**
USPC D12/204–213
CPC B60B 7/00; B60B 7/02; B60B 7/04; B60B
7/01; B60B 7/06; B60B 3/02; B60B 3/04;
B60B 3/06; B60B 3/10; B60B 1/00;
B60B 1/08; B60B 1/10; B60B 1/12
See application file for complete search history.

(56) **References Cited**

U.S. PATENT DOCUMENTS

D639,222 S * 6/2011 Johnson D12/209
D706,197 S * 6/2014 Chung D12/211

D712,334 S * 9/2014 Hale, Jr. D12/211
D715,722 S * 10/2014 Johnson D12/211
D719,496 S * 12/2014 Johnson D12/209
D751,481 S * 3/2016 Chung D12/209
D791,042 S * 7/2017 Johnson D12/209
D791,051 S * 7/2017 Johnson D12/211
D801,253 S * 10/2017 Taylor D12/211
D817,840 S * 5/2018 Chung D12/209
D817,845 S * 5/2018 Guidry D12/209
D818,412 S * 5/2018 Oldham D12/211
D823,775 S * 7/2018 Sempek D12/211
D842,155 S * 3/2019 Mogridge D10/111

* cited by examiner

Primary Examiner — Stacia A Cadmus

(74) *Attorney, Agent, or Firm* — Justin Luby

(57) **CLAIM**

The ornamental design for an automobile wheel as shown and described.

DESCRIPTION

FIG. 1 is a perspective view of an automobile wheel, showing my new design; and, FIG. 2 is a front view thereof. In the drawings the broken lines depict environmental subject matter and form no part of the claimed design.

1 Claim, 2 Drawing Sheets

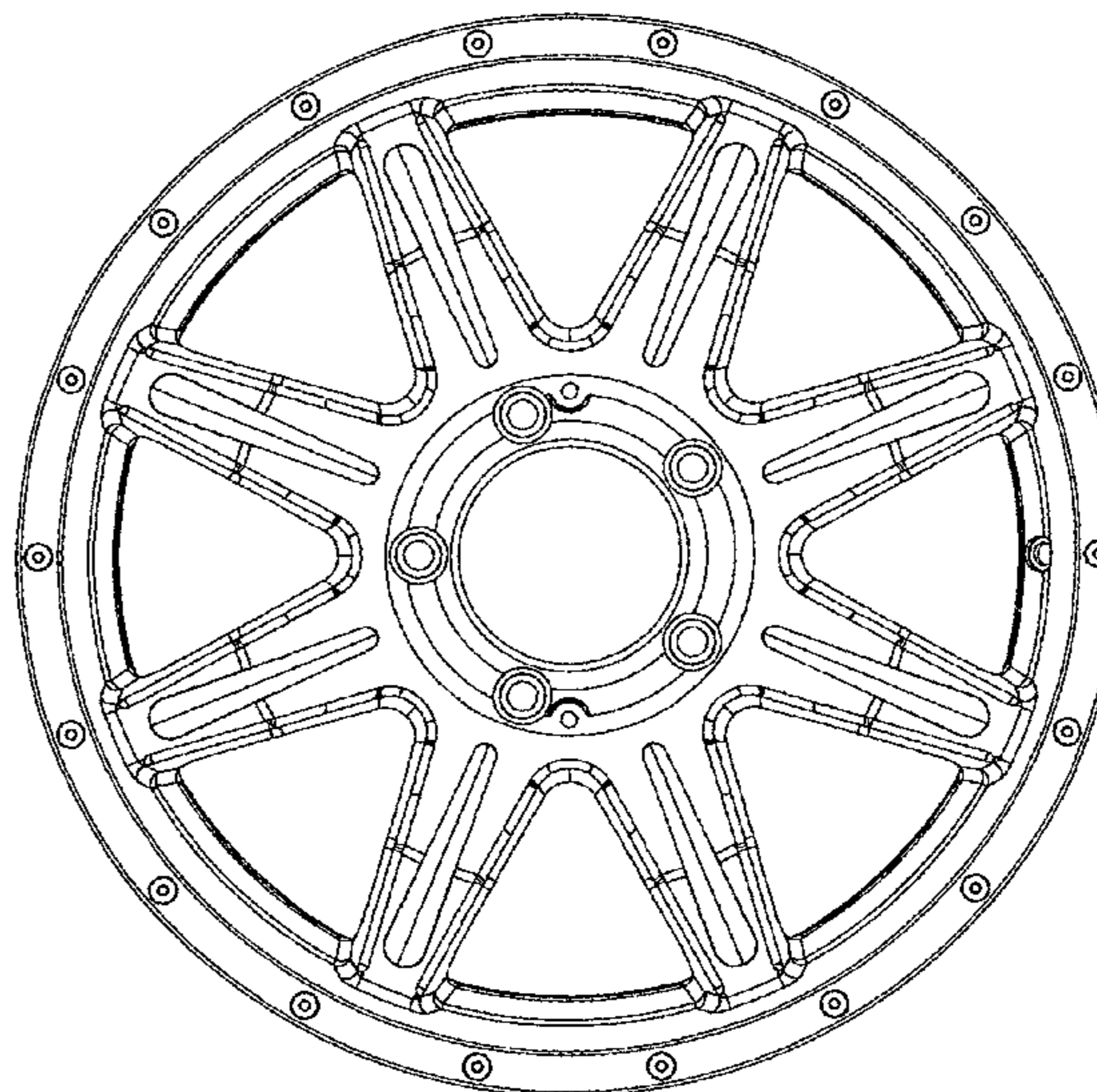
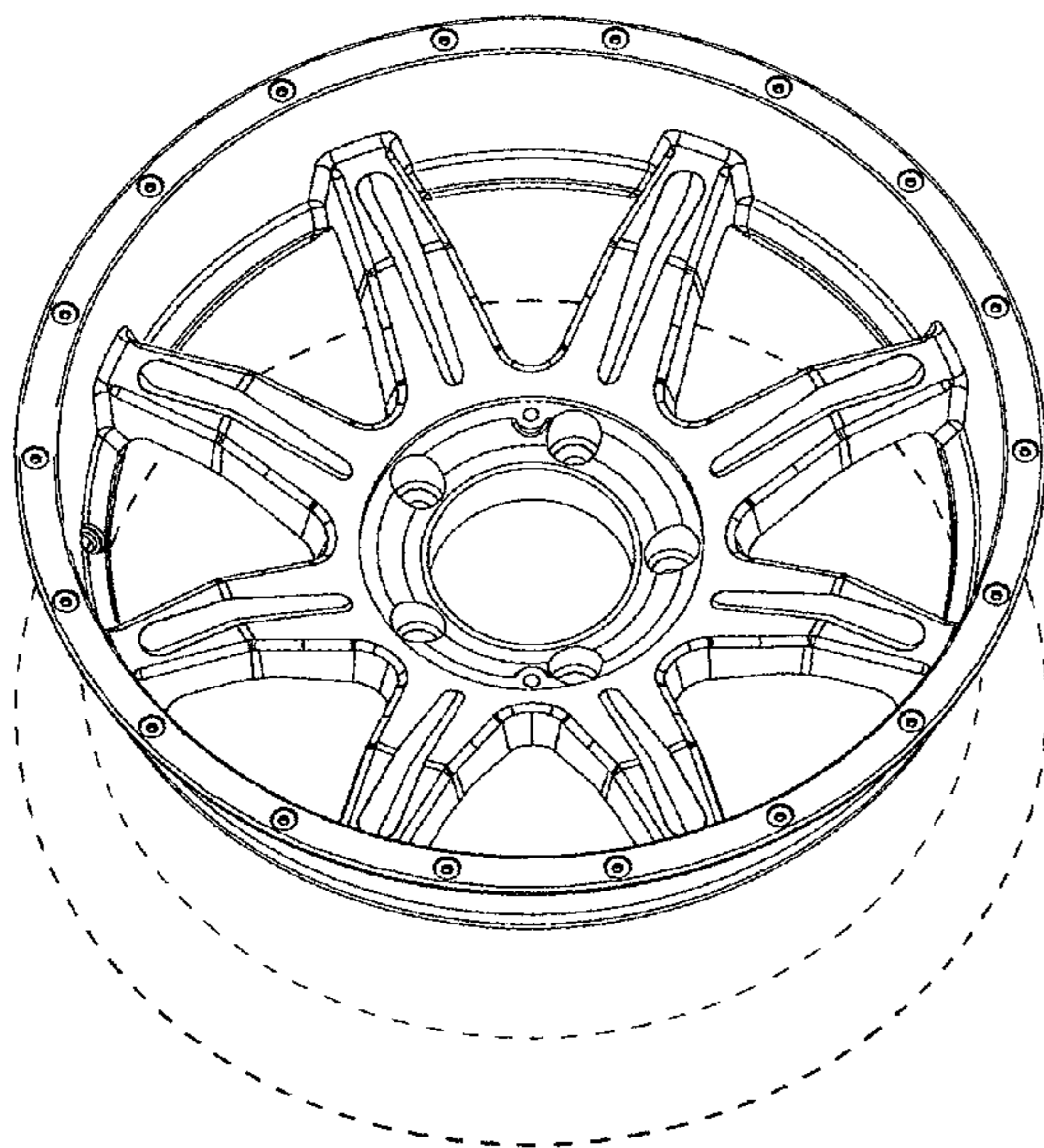


FIG.1

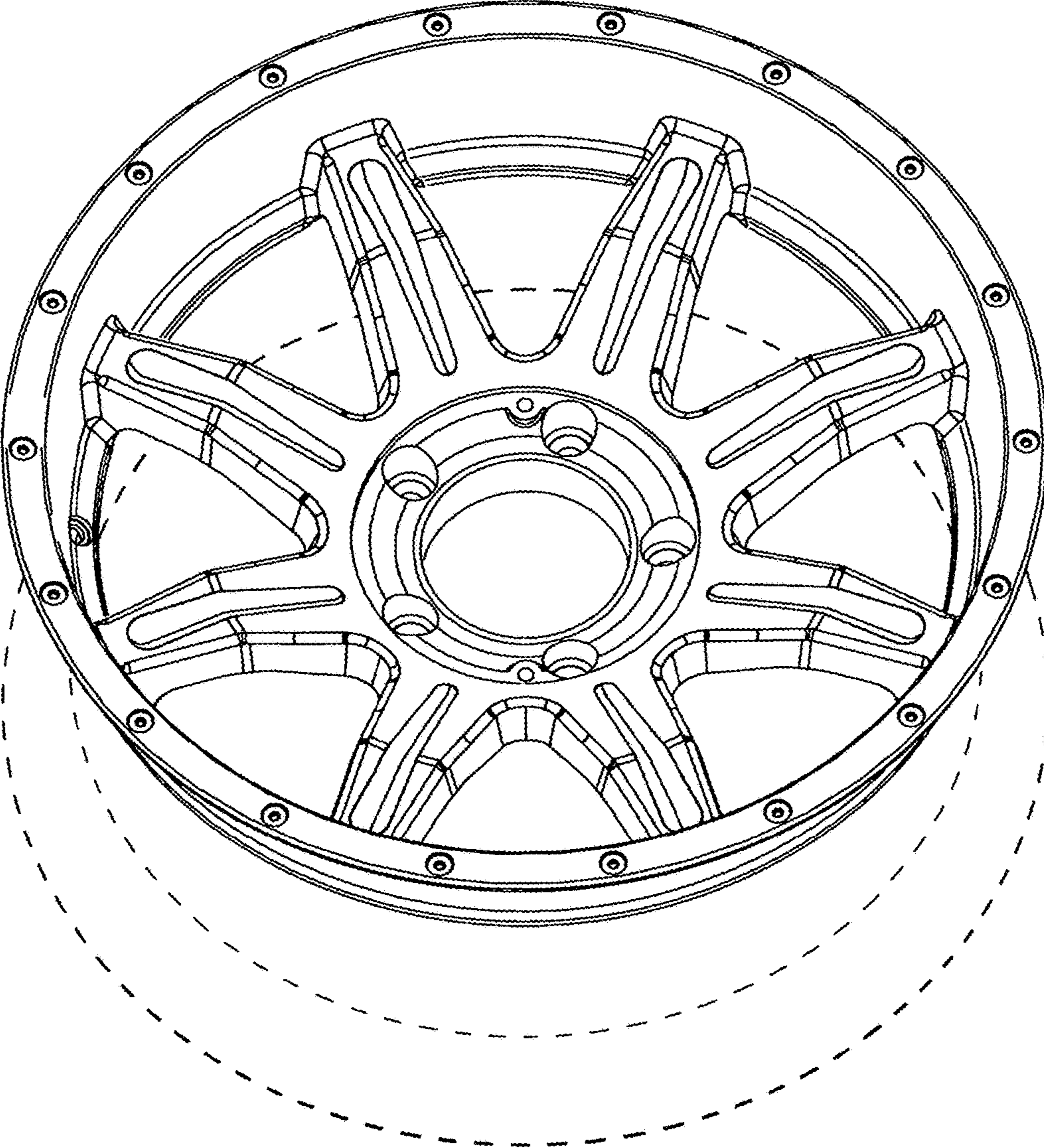


FIG.2

