

US00D860095S

(12) **United States Design Patent**
Milani

(10) **Patent No.:** **US D860,095 S**

(45) **Date of Patent:** **** Sep. 17, 2019**

(54) **AUTOMOBILE WHEEL**

(71) Applicant: **Elite Wheel Warehouse, Tampa, FL**
(US)

(72) Inventor: **Hamed Milani, Tampa, FL (US)**

(**) Term: **15 Years**

(21) Appl. No.: **29/638,748**

(22) Filed: **Feb. 28, 2018**

(51) **LOC (12) Cl.** **12-16**

(52) **U.S. Cl.**

USPC **D12/209**

(58) **Field of Classification Search**

USPC D12/204–213

CPC B60B 7/00; B60B 7/02; B60B 7/04; B60B

7/01; B60B 7/06; B60B 3/02; B60B 3/04;

B60B 3/06; B60B 3/10; B60B 1/00;

B60B 1/08; B60B 1/10; B60B 1/12

See application file for complete search history.

(56) **References Cited**

U.S. PATENT DOCUMENTS

D733,026 S * 6/2015 Chung D12/211

D763,163 S * 8/2016 Chung D12/211

D766,805 S * 9/2016 Chung D12/211

D798,789 S * 10/2017 Kong D12/211

D805,456 S * 12/2017 Chung D12/211

D810,648 S * 2/2018 Chung D12/209

* cited by examiner

Primary Examiner — Stacia A Cadmus

(74) *Attorney, Agent, or Firm* — Justin Luby

(57) **CLAIM**

The ornamental design for an automobile wheel, as shown and described.

DESCRIPTION

FIG. 1 is a perspective view of an automobile wheel, showing my new design; and,

FIG. 2 is a front view thereof.

In the drawings the broken lines depict environmental subject matter and form no part of the claimed design.

1 Claim, 2 Drawing Sheets

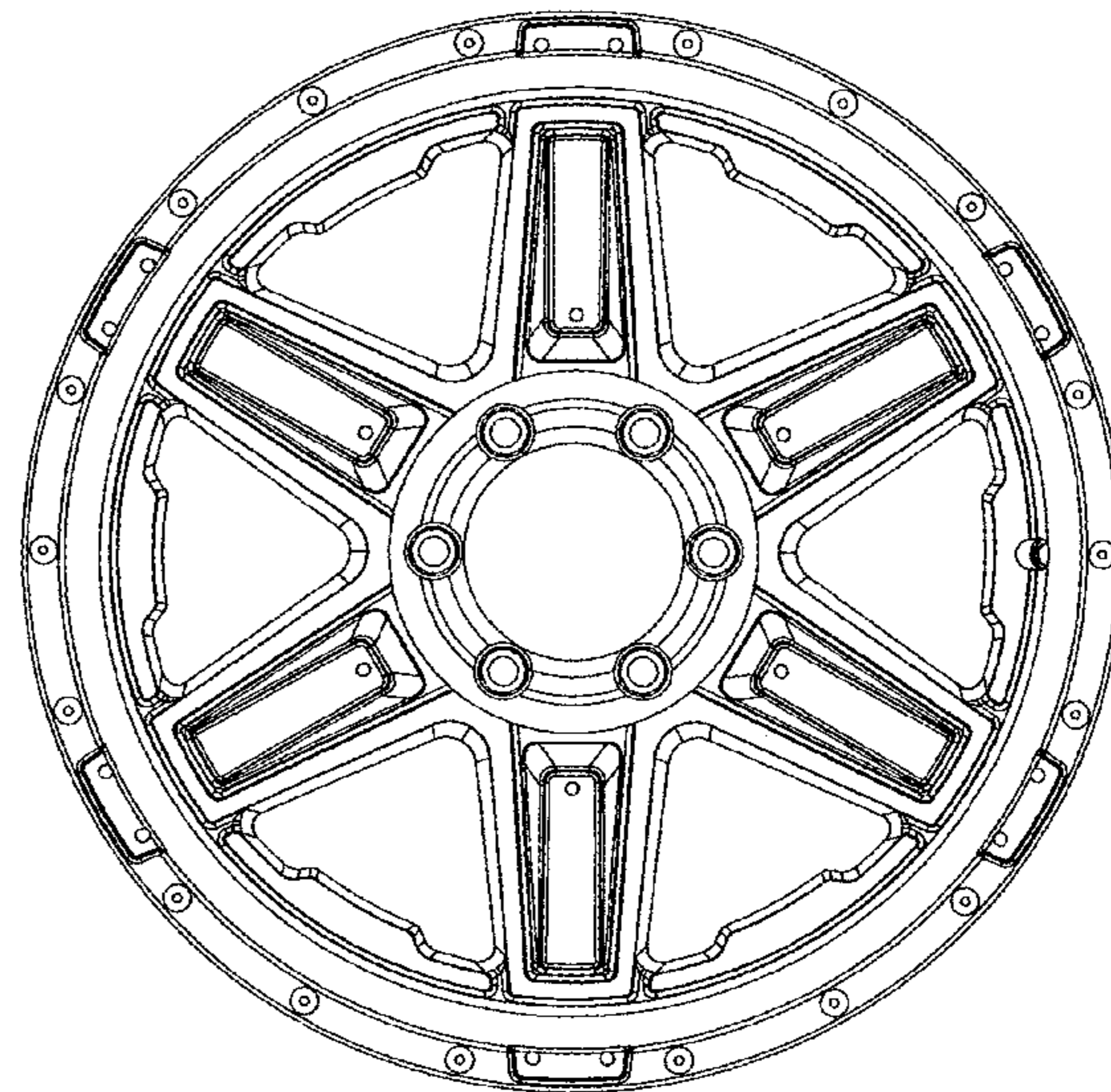
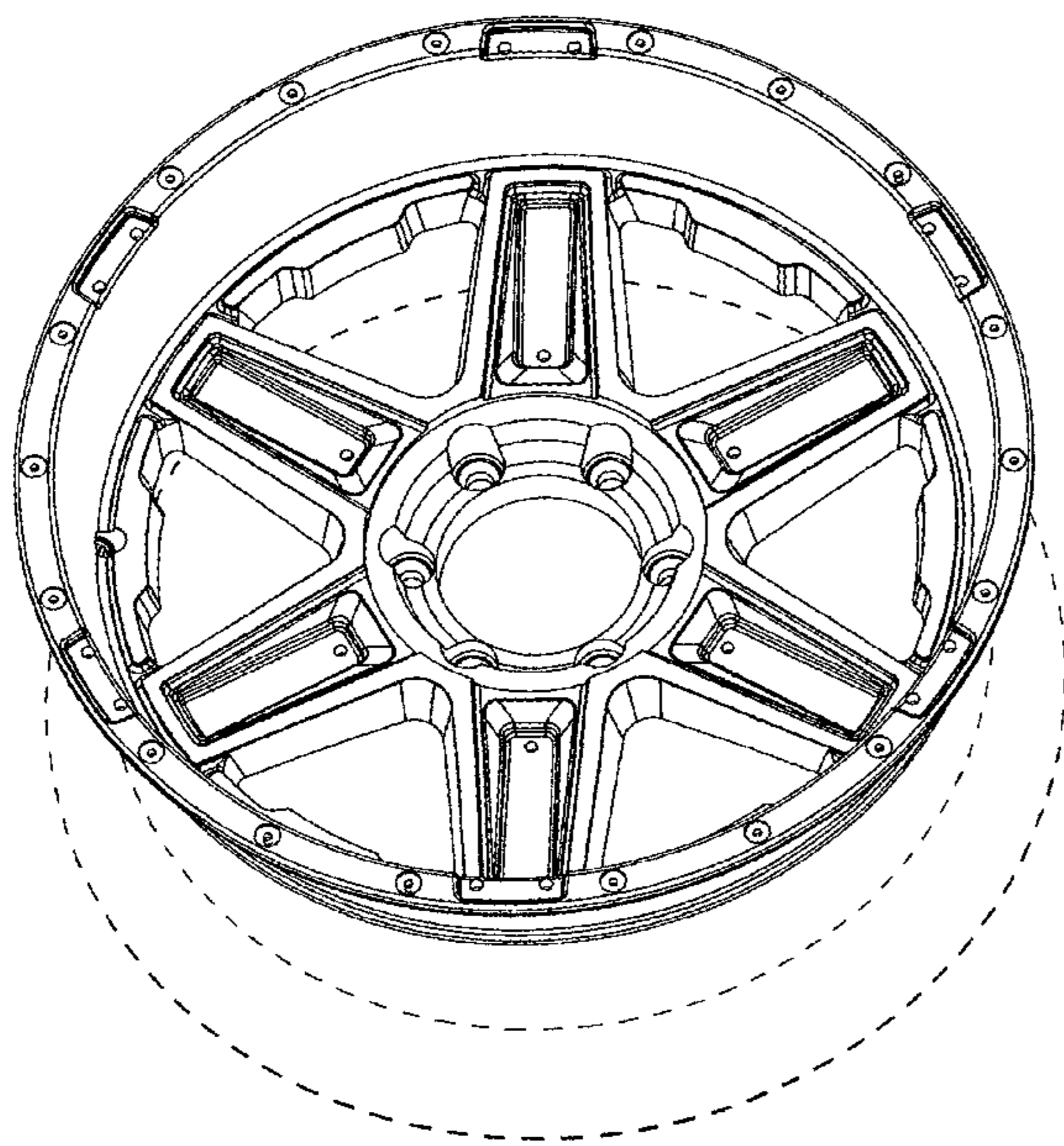


FIG.1

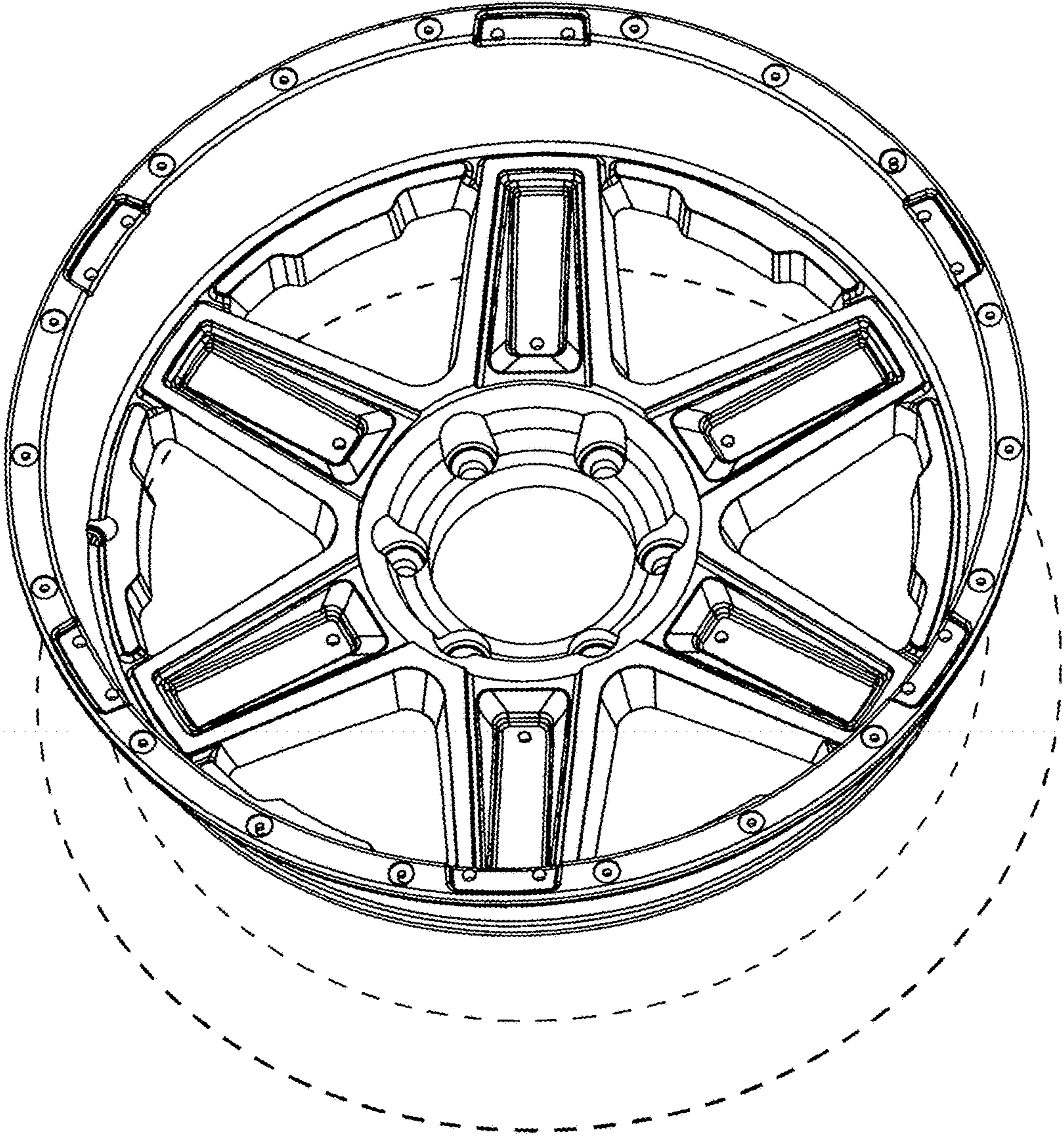


FIG.2

