



US00D860089S

(12) **United States Design Patent** (10) **Patent No.:** **US D860,089 S**
Kezha (45) **Date of Patent:** **** Sep. 17, 2019**

(54) **REAR FENDER FOR A VEHICLE**
(71) Applicant: **Bayerische Motoren Werke Aktiengesellschaft, Munich (DE)**
(72) Inventor: **Alexey Kezha, Munich (DE)**
(73) Assignee: **Bayerische Motoren Werke Aktiengesellschaft, Munich (DE)**

(**) Term: **15 Years**
(21) Appl. No.: **29/650,329**
(22) Filed: **Jun. 6, 2018**

(30) **Foreign Application Priority Data**
Dec. 13, 2017 (DE) 40 2017 101 348
(51) **LOC (12) Cl.** **12-16**
(52) **U.S. Cl.**
USPC **D12/196**
(58) **Field of Classification Search**
USPC D12/196, 86, 88, 89, 90, 91, 92, 163, D12/169, 171, 183, 184, 216, 400; D21/424-425, 433-434; 296/181.1, 296/181.2, 181.5, 203; 280/6.152
CPC B60R 13/04; B62D 25/00; B62D 33/0273; B62D 25/08; B62D 25/10; B62D 33/03
See application file for complete search history.

(56) **References Cited**
U.S. PATENT DOCUMENTS
D583,286 S 12/2008 Leclercq
D620,413 S * 7/2010 Huet D12/184
D620,414 S * 7/2010 Froehlich D12/184
D659,621 S * 5/2012 Matsumoto D12/184
D671,470 S * 11/2012 Yamada D12/196
D672,301 S * 12/2012 Yamada D12/196
D691,540 S * 10/2013 Kwon D12/196
D766,151 S * 9/2016 Faghihzadeh D12/196
D777,634 S * 1/2017 Faghihzadeh D12/196

D821,280 S * 6/2018 Szavits D12/196
D825,390 S * 8/2018 Al Attar D12/92
D831,540 S * 10/2018 Buckingham D12/92
D831,541 S * 10/2018 Buckingham D12/92
2011/0233970 A1* 9/2011 Nagai B62D 25/02
296/203.03

(Continued)

FOREIGN PATENT DOCUMENTS

WO WO DM/069072 12/2007
WO WO DM/076560 2/2012
WO WO DM/096612 12/2017

Primary Examiner — Ian Simmons
Assistant Examiner — Yolanda Robinson
(74) *Attorney, Agent, or Firm* — Crowell & Moring LLP

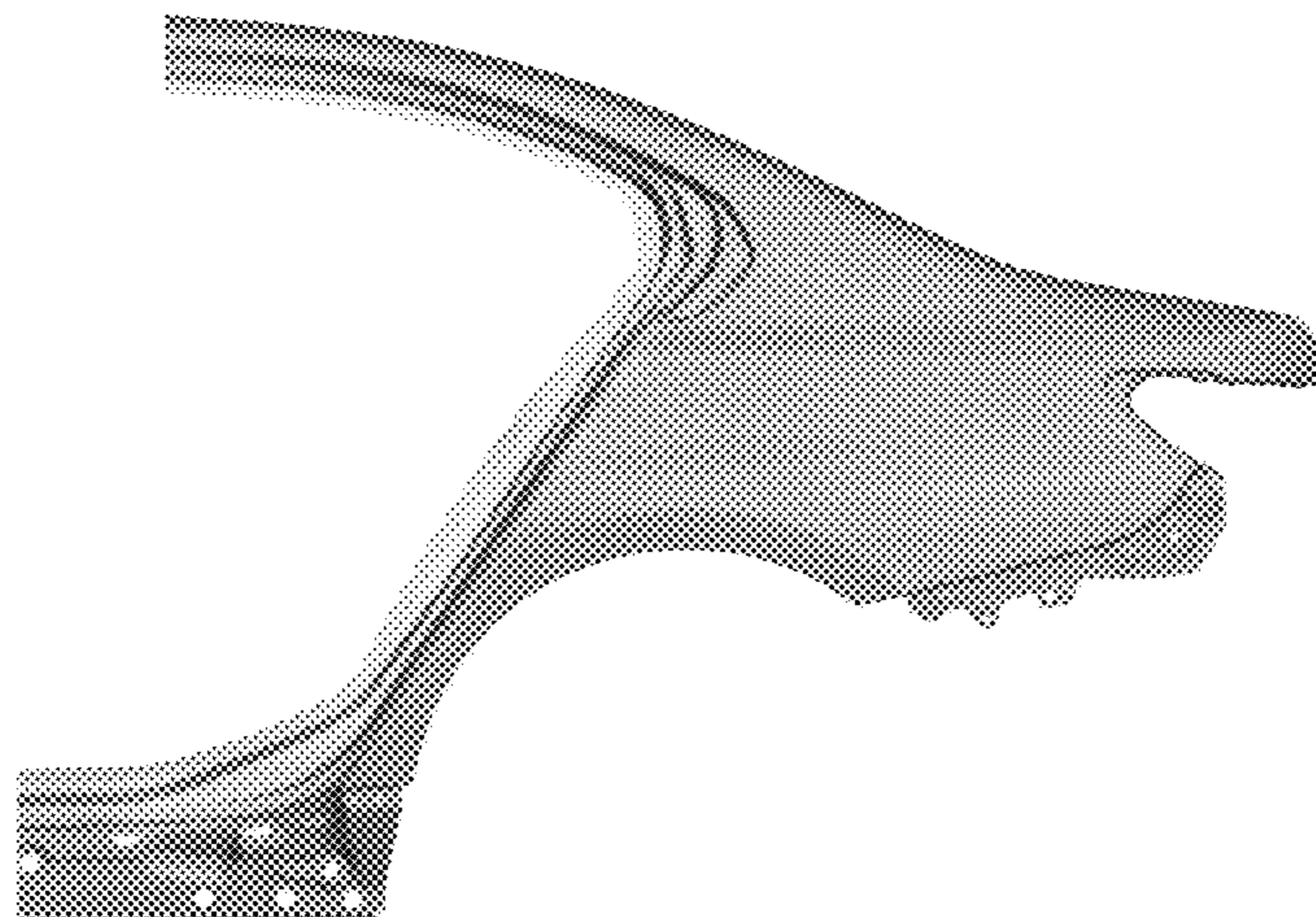
(57) **CLAIM**

The ornamental design for a rear fender for a vehicle, as shown and described.

DESCRIPTION

This application contains subject matter related to the following co-pending U.S. design patent applications: Application Ser. No. 29/650,325, filed herewith and entitled “Vehicle, Toy, and/or Replicas Thereof”; Application Ser. No. 29/650,334 filed herewith and entitled “Rear Fender for a Vehicle”; and Application Ser. No. 29/650,338, filed herewith and entitled “Rear Fender for a Vehicle”.
FIG. 1 is a front view of a rear fender for a vehicle according to the design;
FIG. 2 is a left, front perspective view thereof;
FIG. 3 is a right, front perspective view thereof;
FIG. 4 is a left side view thereof;
FIG. 5 is a right side view thereof;
FIG. 6 is a top view thereof;
FIG. 7 is a bottom view thereof; and,
FIG. 8 is a rear view thereof.

1 Claim, 8 Drawing Sheets



(56)

References Cited

U.S. PATENT DOCUMENTS

2012/0200119	A1 *	8/2012	Juettner	B62D 25/02 296/193.05
2015/0054309	A1 *	2/2015	Kuenkler	B62D 25/02 296/187.11

* cited by examiner

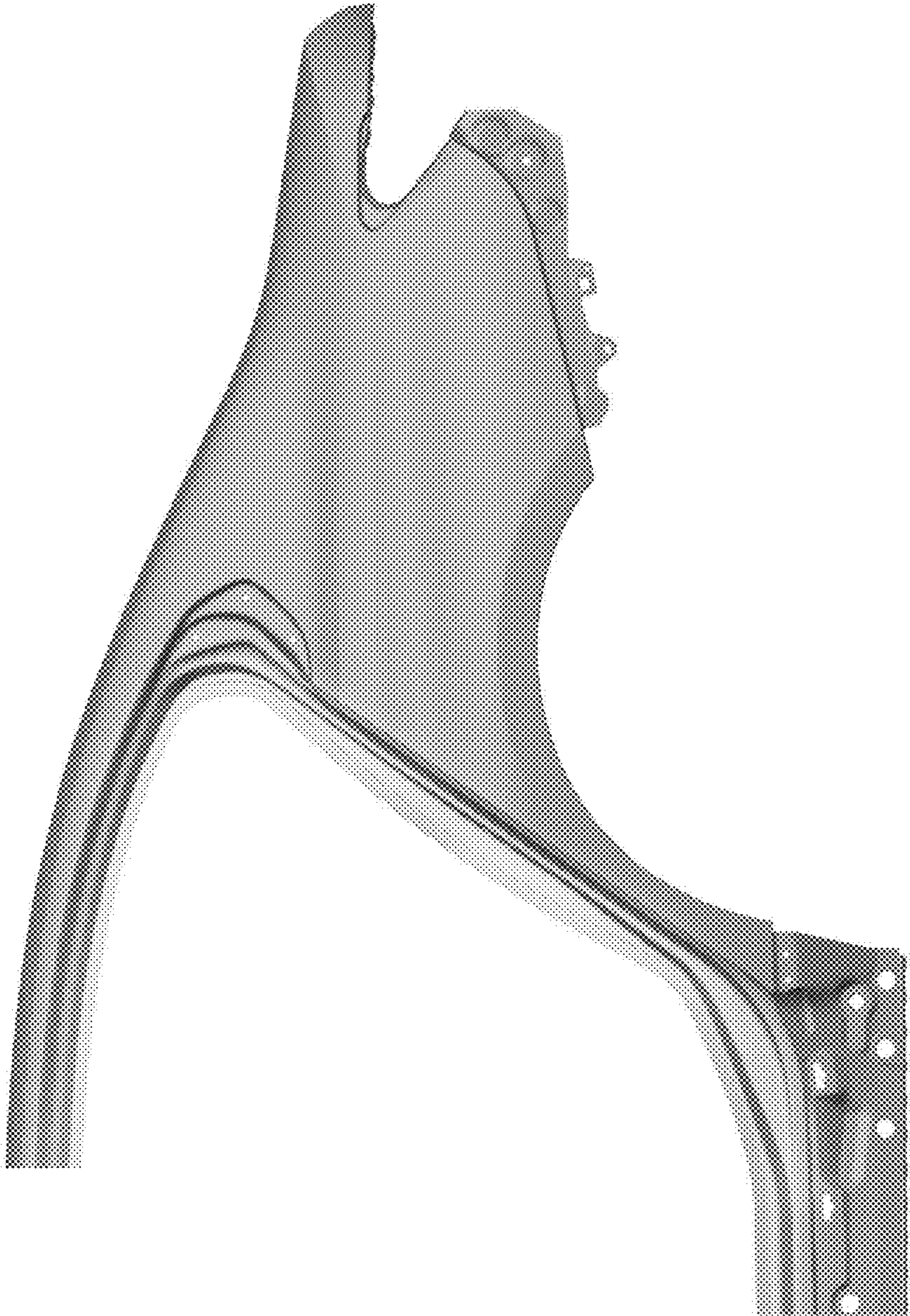


Fig. 1

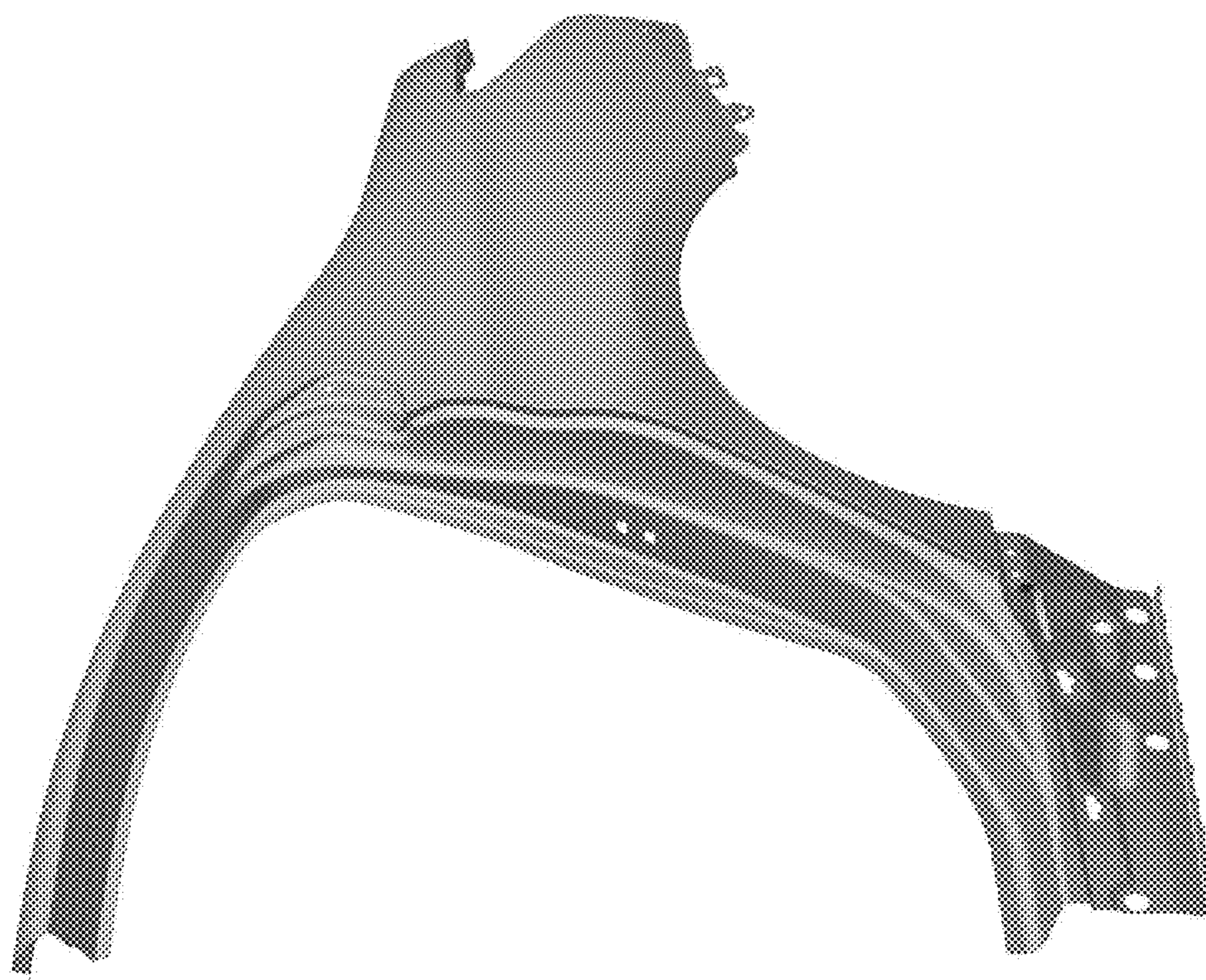


Fig. 2

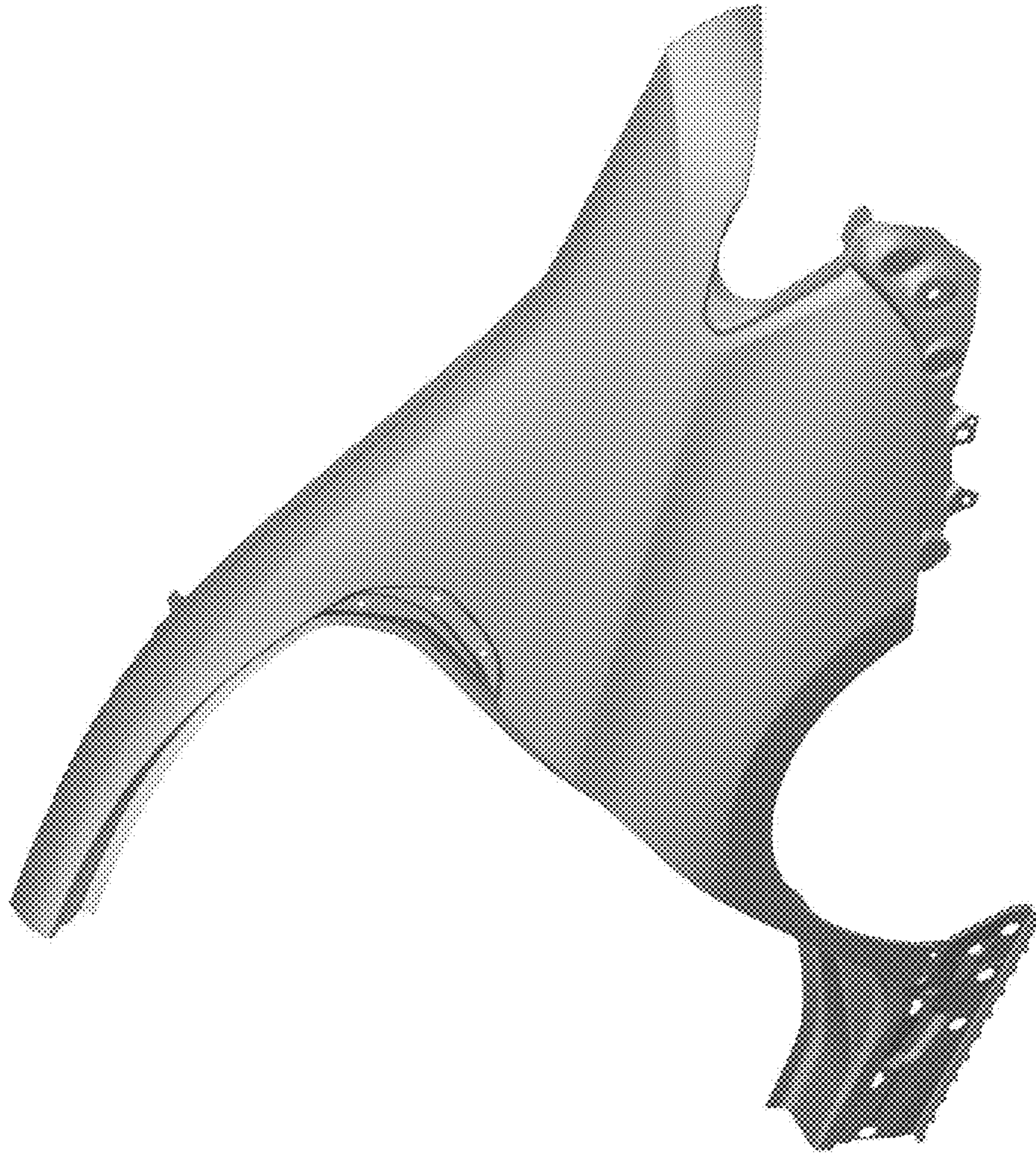


Fig. 3

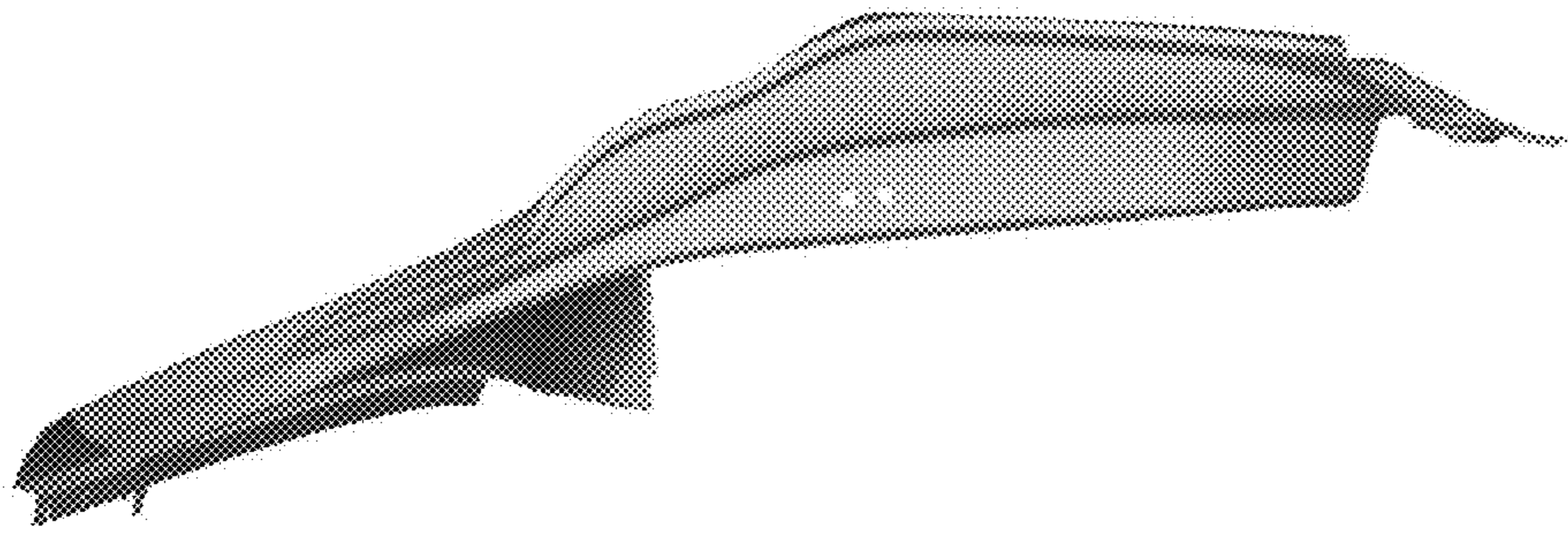


Fig. 4

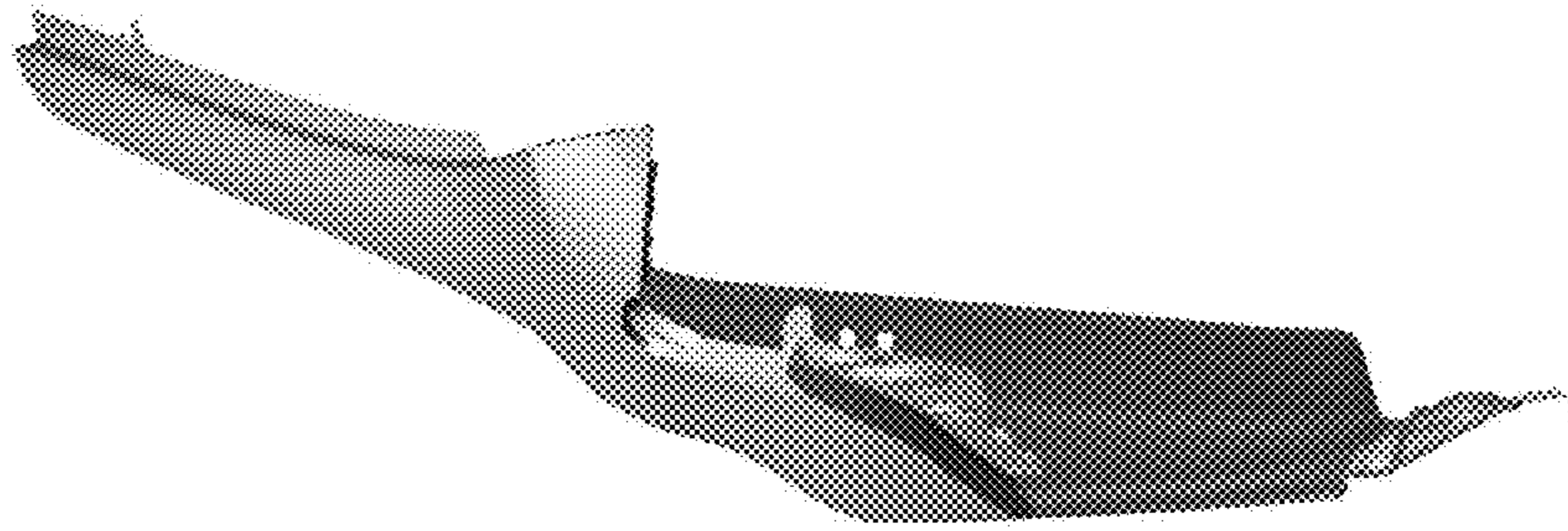


Fig. 5

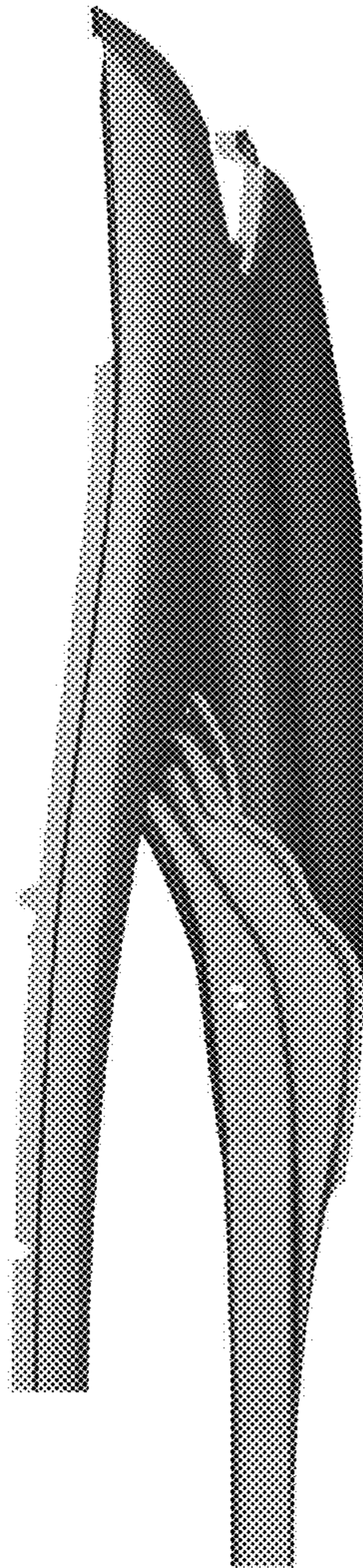


Fig. 6

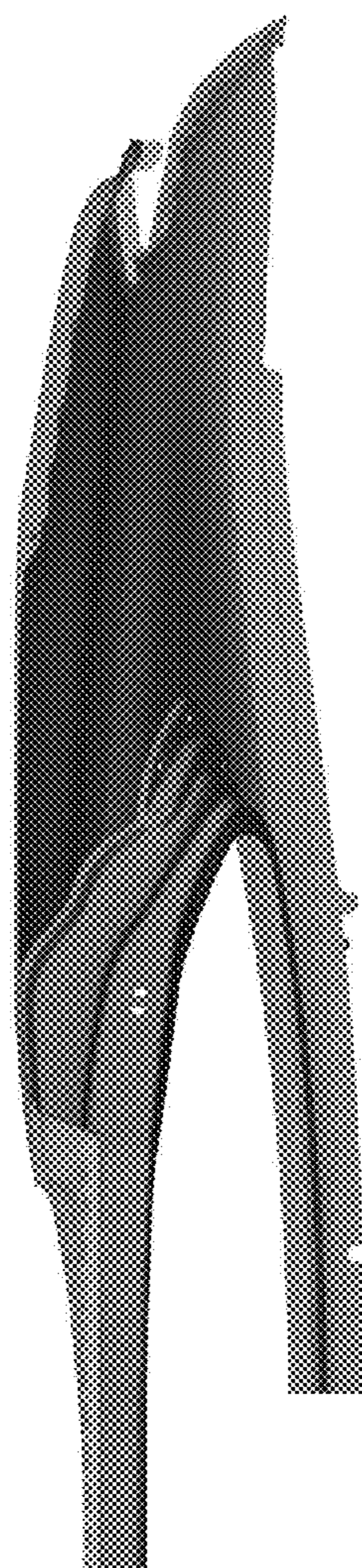


Fig. 7

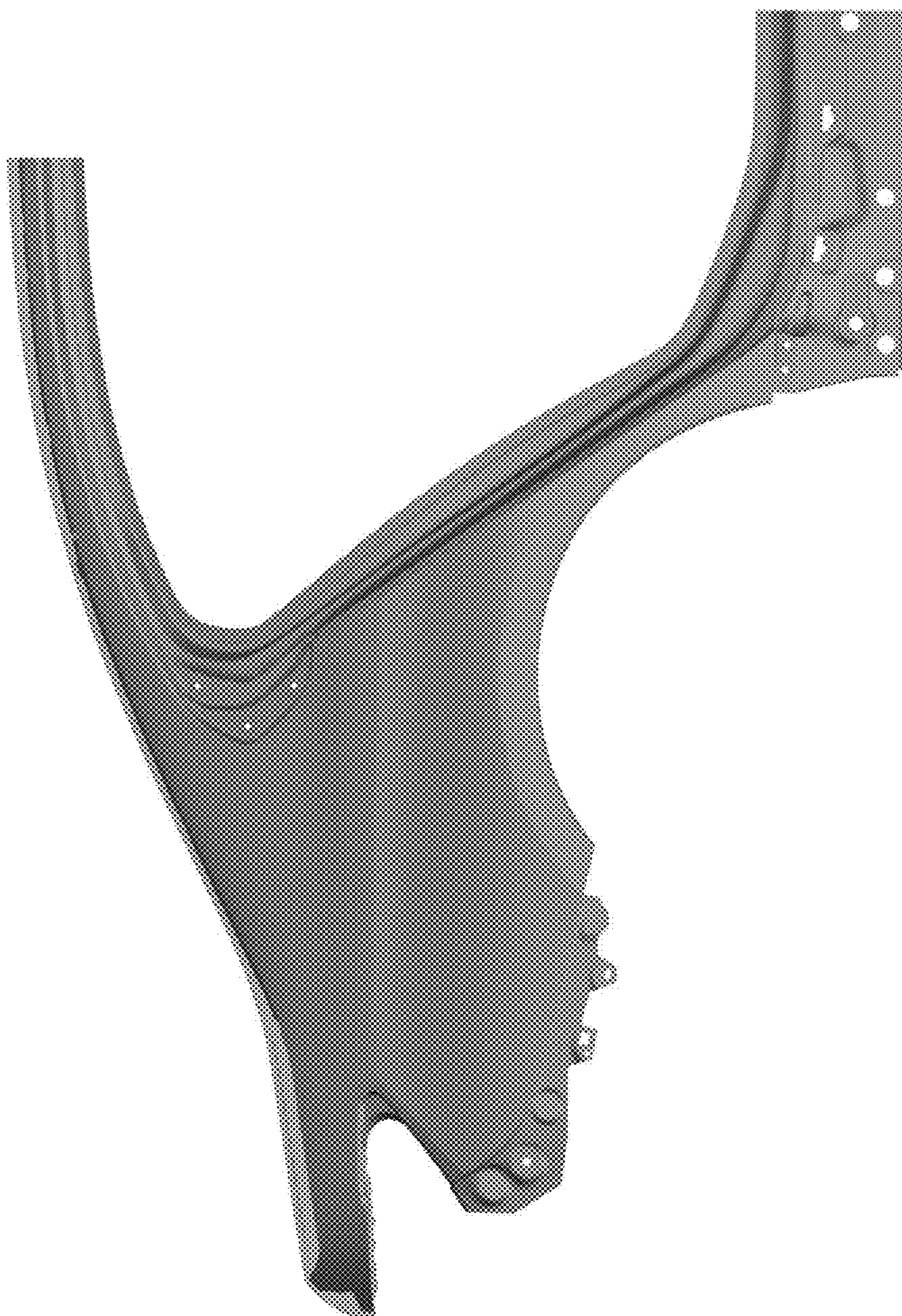


Fig. 8