

US00D860087S

(12) **United States Design Patent** (10) **Patent No.:** **US D860,087 S**  
**Schoonover et al.** (45) **Date of Patent:** **\*\* Sep. 17, 2019**

- (54) **EXTRUDED ATTACHMENT CLIP**
- (71) Applicant: **Vintech Industries, Inc.**, Imlay City, MI (US)
- (72) Inventors: **James Schoonover**, Shelby Township, MI (US); **Kevin J. Weingartz**, Imlay City, MI (US)
- (73) Assignee: **Vintech Industries, Inc.**, Imlay City, MI (US)
- (\*\*) Term: **15 Years**
- (21) Appl. No.: **29/612,149**
- (22) Filed: **Jul. 28, 2017**
- (51) **LOC (12) Cl.** ..... **12-08**
- (52) **U.S. Cl.**  
USPC ..... **D12/190**
- (58) **Field of Classification Search**  
USPC ..... D25/48.2, 121, 119, 164; 49/466, 472, 49/475.1, 483.1, 489.1, 490.1, 492.1, 49/499.1; D12/106, 19, 129, 181, 196, D12/100-105, 111-112, 191, 400; D21/425, 435; 280/204, 205, 63, 475, 280/482, 647; 296/168, 180, 180.2, 296/100.01, 100.08  
CPC ..... B60R 13/043; B60R 13/04; B60R 13/02; B60R 13/06  
See application file for complete search history.

- (56) **References Cited**  
**U.S. PATENT DOCUMENTS**  
D293,719 S \* 1/1988 Stepanian ..... D25/125  
D387,726 S \* 12/1997 Maruoka ..... D12/400  
D388,183 S \* 12/1997 Payton ..... D25/121  
D498,309 S \* 11/2004 Koerner ..... D25/164  
D577,445 S \* 9/2008 Durrant ..... D25/164  
D731,078 S \* 6/2015 Frenette ..... D25/119

D746,745 S \* 1/2016 Schoonover ..... D12/190  
D747,667 S \* 1/2016 Schoonover ..... D12/106

\* cited by examiner

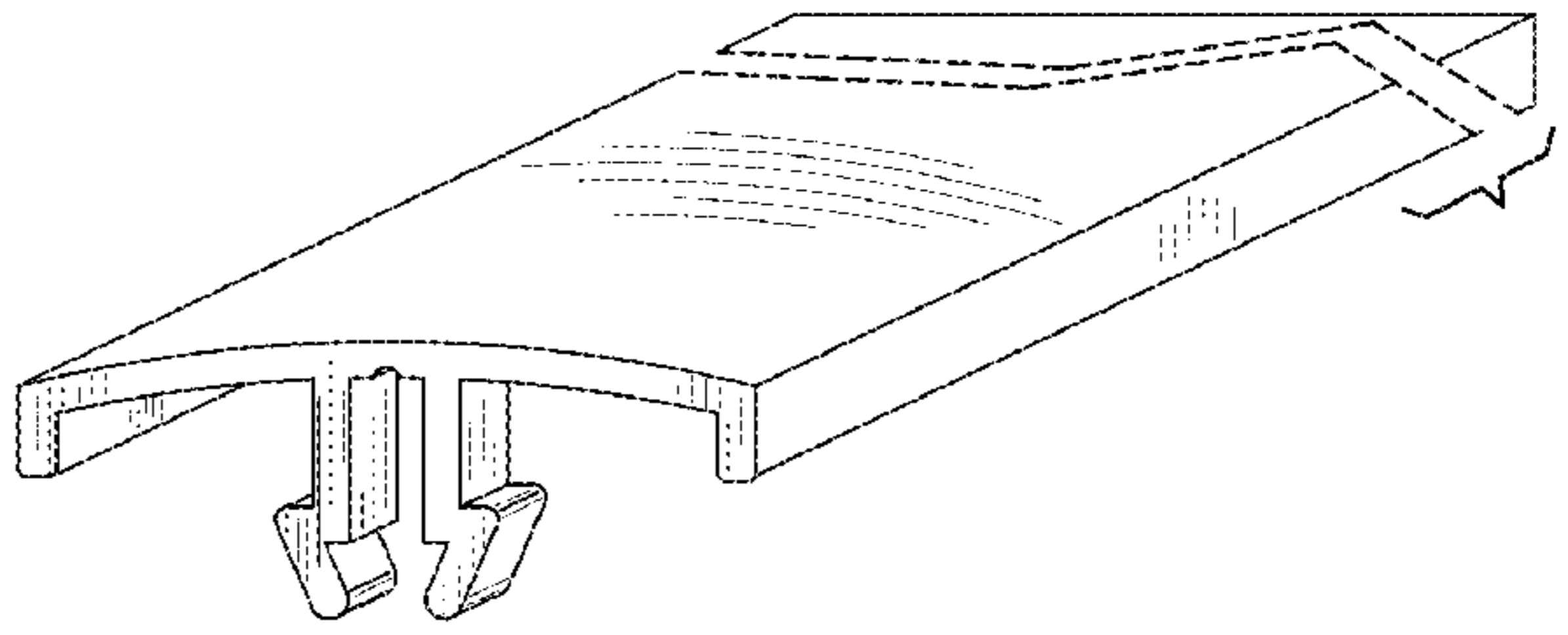
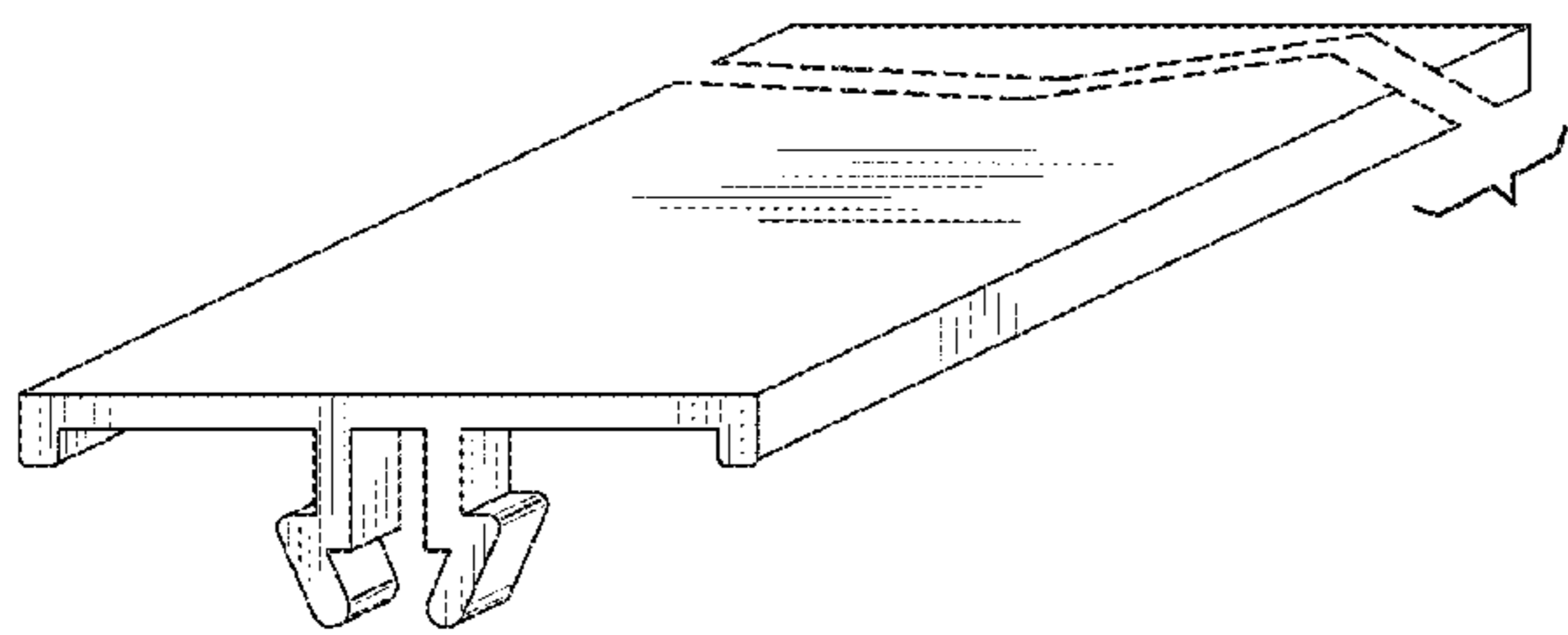
*Primary Examiner* — Abraham Bahta  
(74) *Attorney, Agent, or Firm* — Warn Partners, P.C.

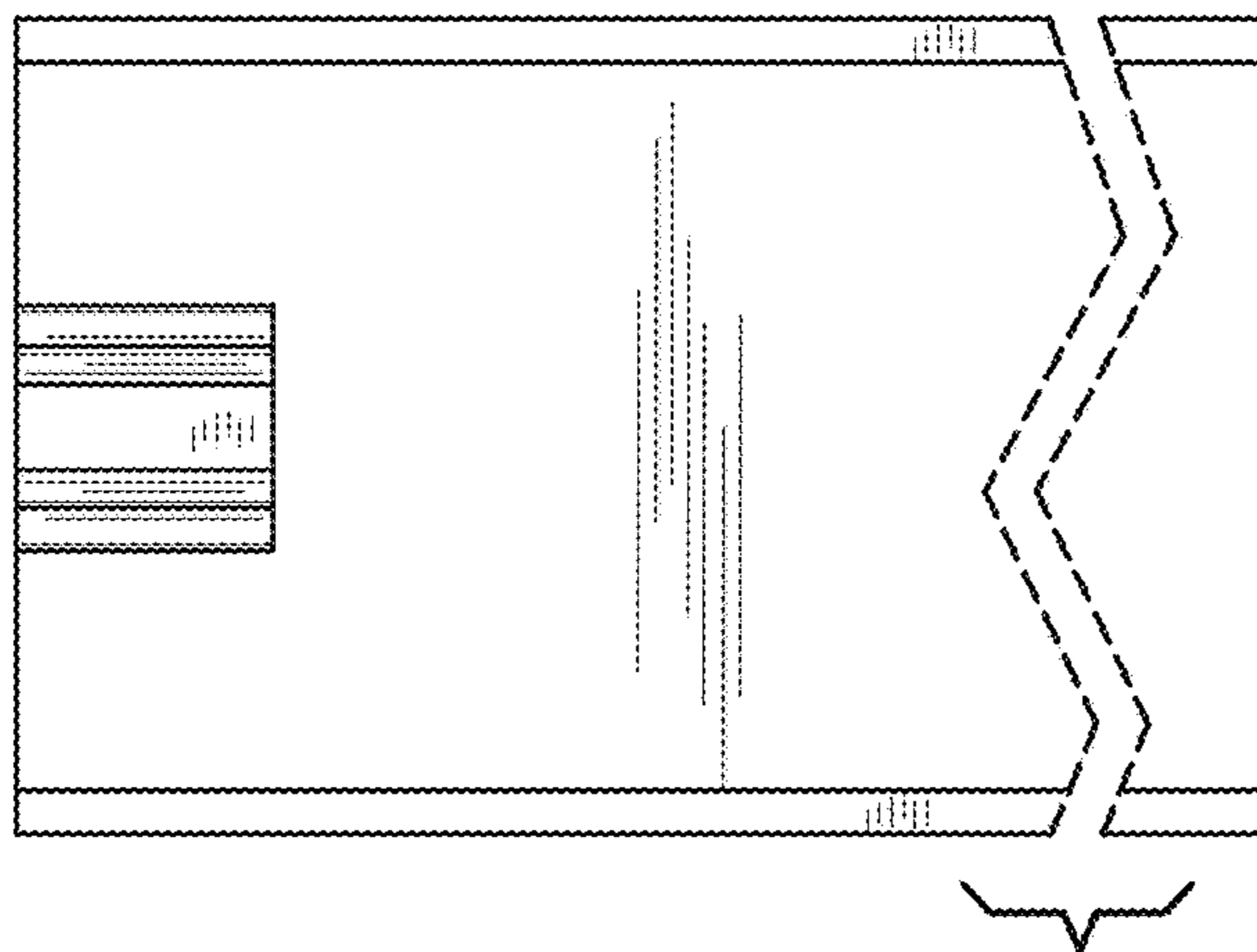
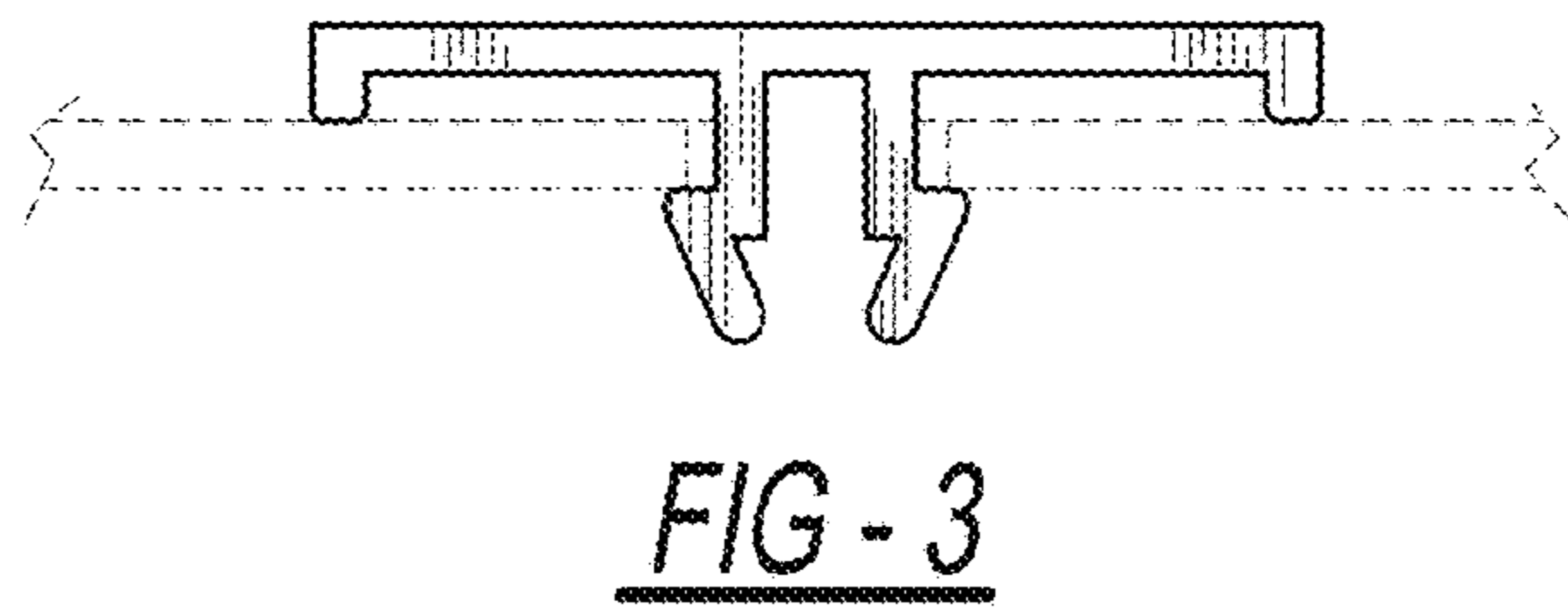
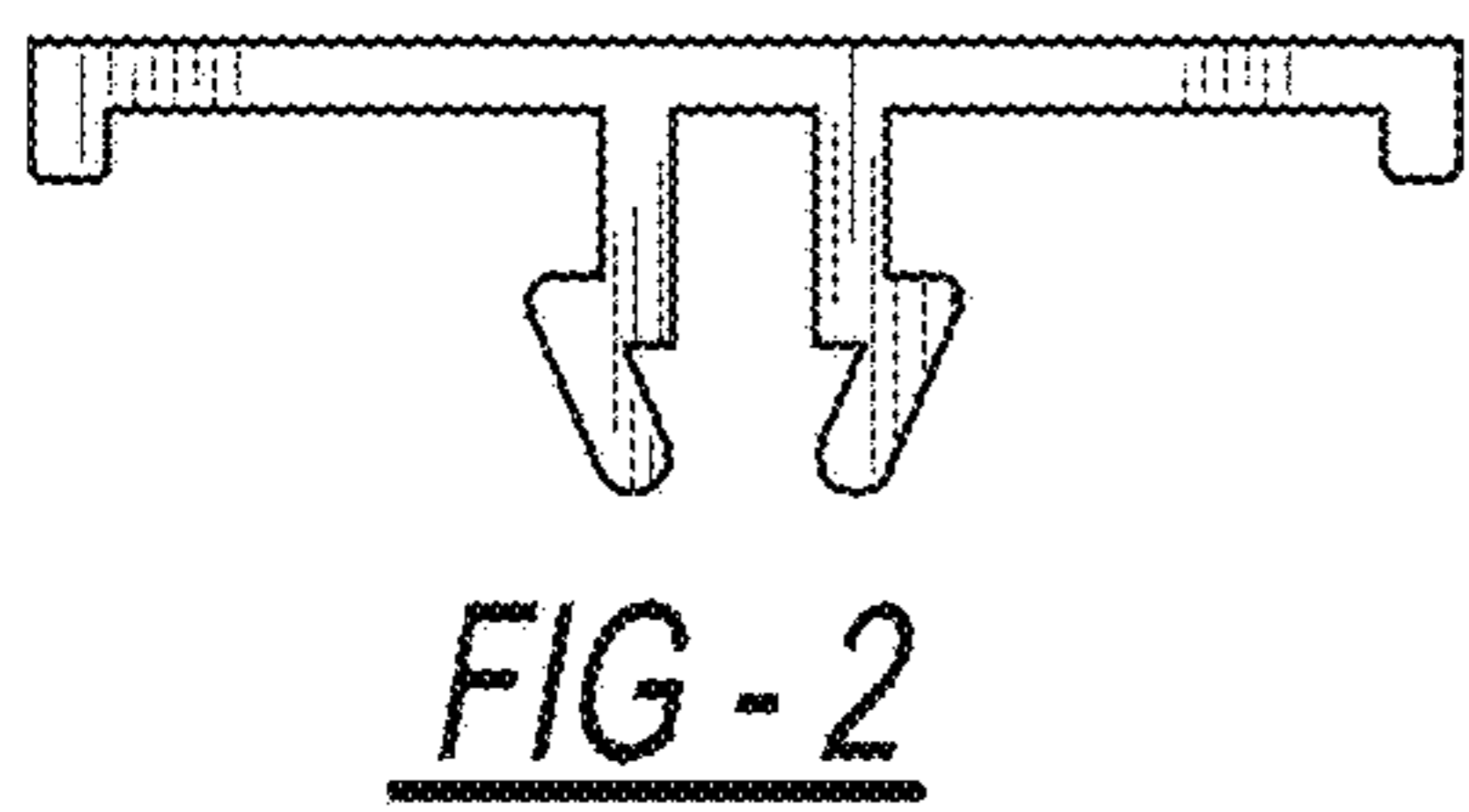
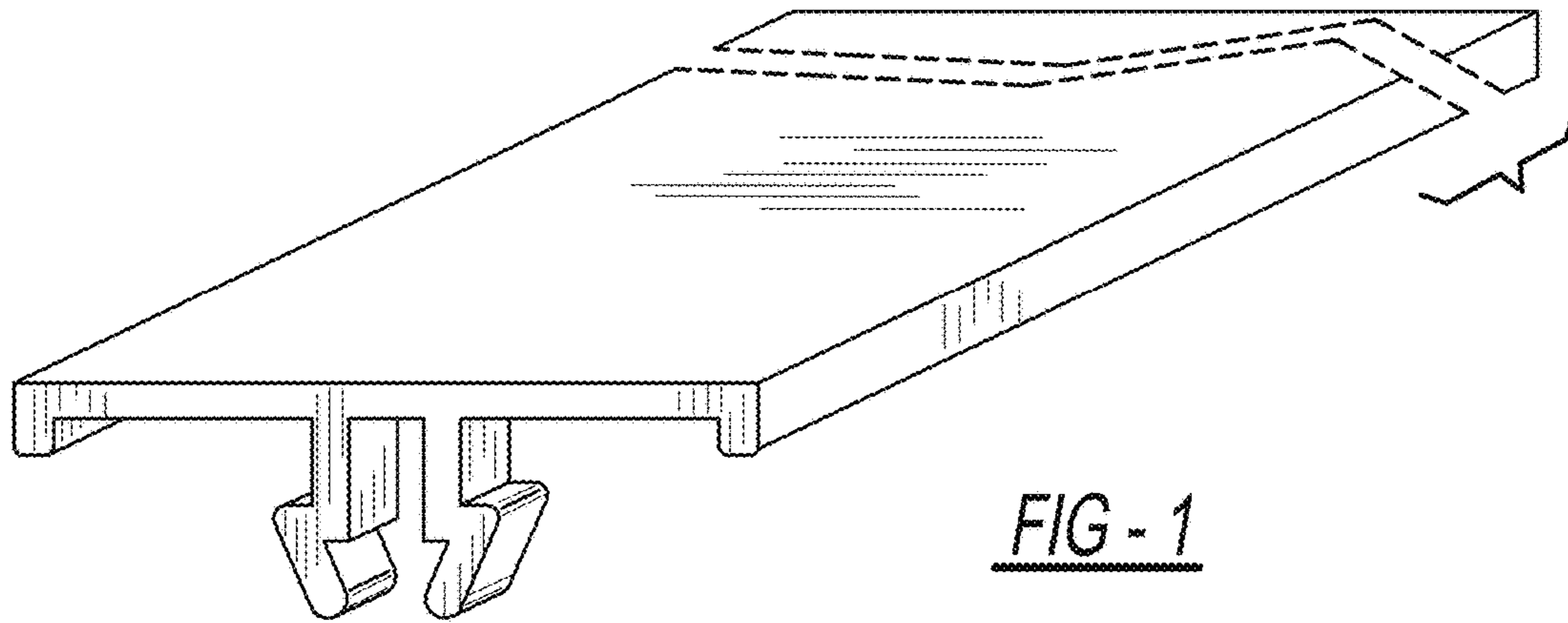
(57) **CLAIM**  
The ornamental design for an extruded attachment clip, as shown and described.

**DESCRIPTION**

FIG. 1 is a perspective view of the first embodiment of an extruded attachment clip showing my new design;  
FIG. 2 is a rear elevation view thereof;  
FIG. 3 is a front elevation view thereof;  
FIG. 4 is a bottom plan view thereof;  
FIG. 5 is a top plan view thereof;  
FIG. 6 is a right side view, wherein the left side view is a mirror image thereof;  
FIG. 7 is a perspective view of the second embodiment of the extruded attachment clip;  
FIG. 8 is a rear elevation view thereof;  
FIG. 9 is a front elevation view thereof;  
FIG. 10 is a bottom plan view thereof;  
FIG. 11 is a top plan view thereof;  
FIG. 12 is a right side view, wherein the left side view is a mirror image thereof;  
FIG. 13 is a perspective view of the third embodiment of the extruded attachment clip;  
FIG. 14 is a rear elevation view thereof;  
FIG. 15 is a front elevation view thereof;  
FIG. 16 is a bottom plan view thereof;  
FIG. 17 is a top plan view thereof; and  
FIG. 18 is a right side view, wherein the left side view is a mirror image thereof.  
The breakaway shown by the broken lines in FIGS. 1, 4-7, 10-13 and 16-18 are included to show the attachment clip has no specific length.

**1 Claim, 6 Drawing Sheets**





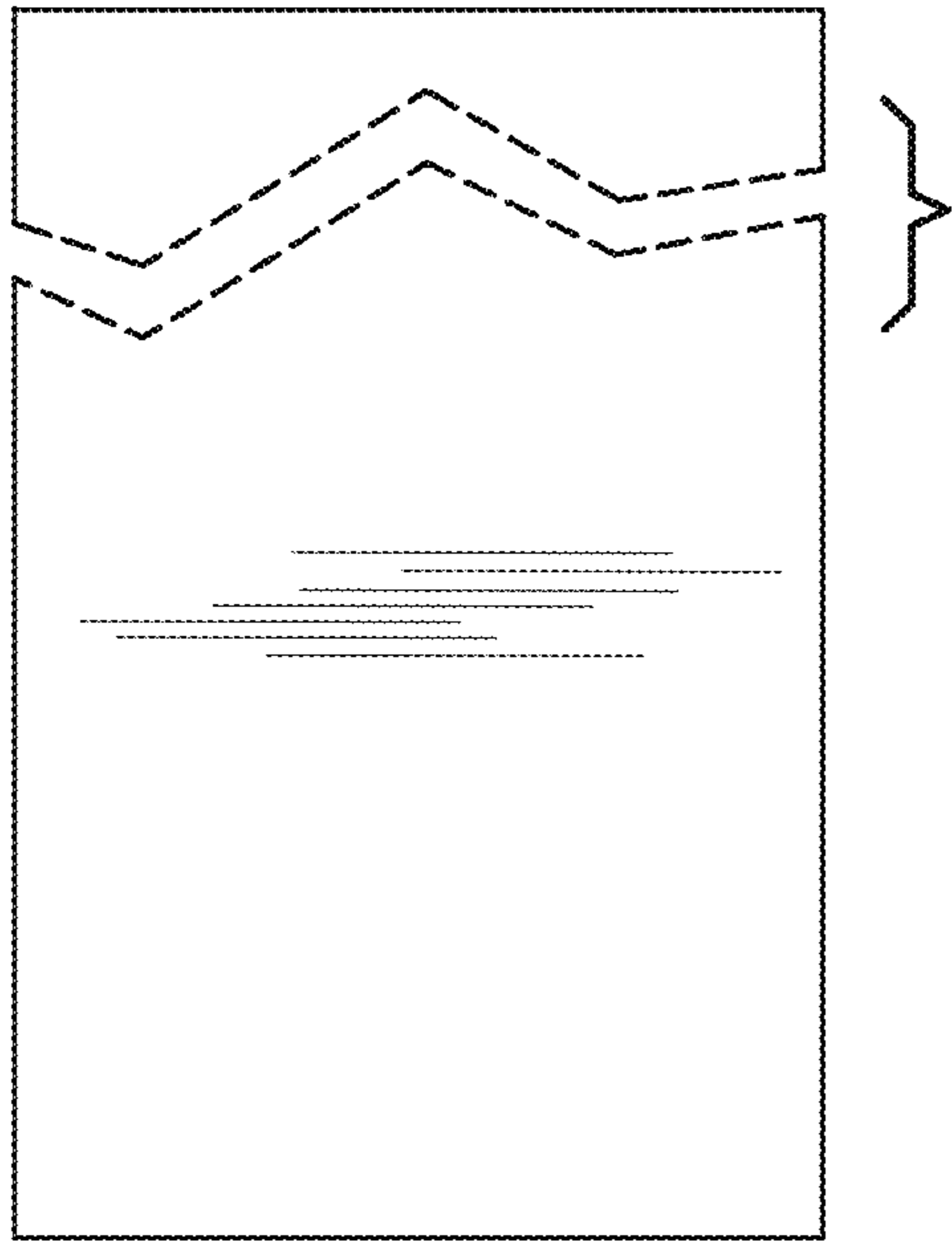


FIG - 5

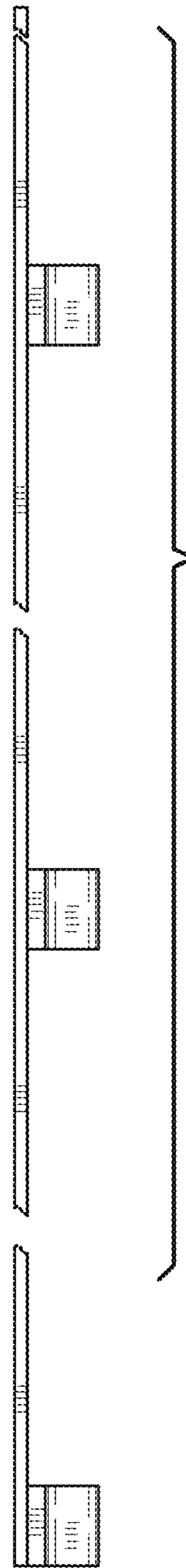


FIG - 6

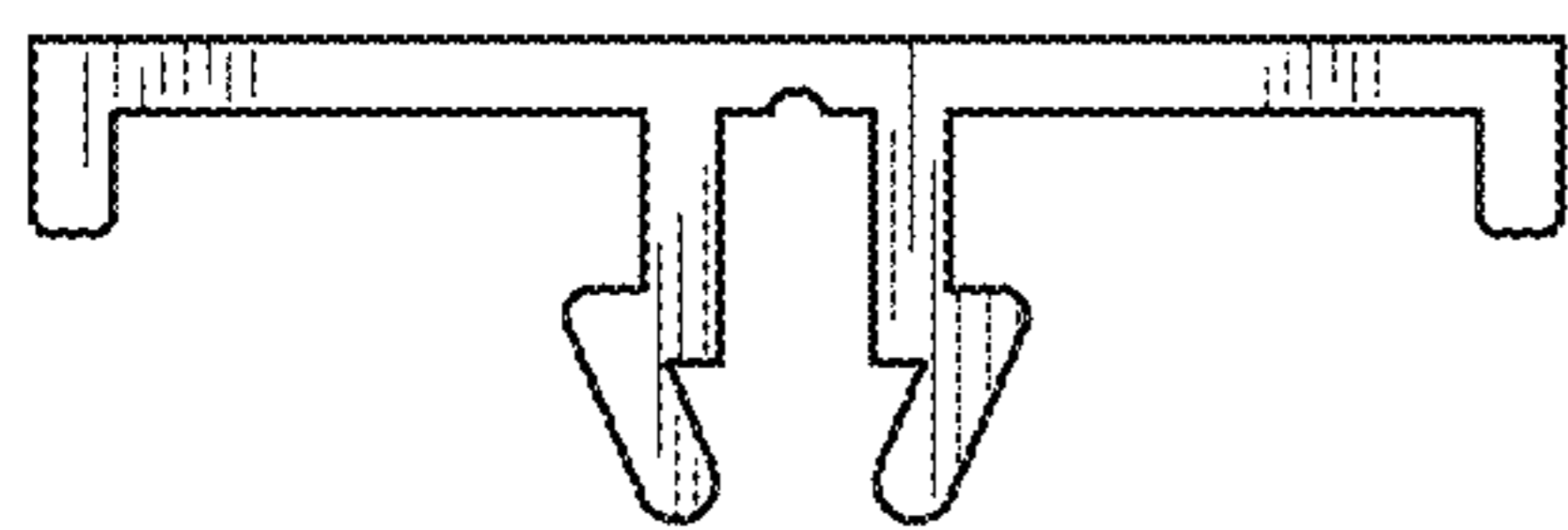
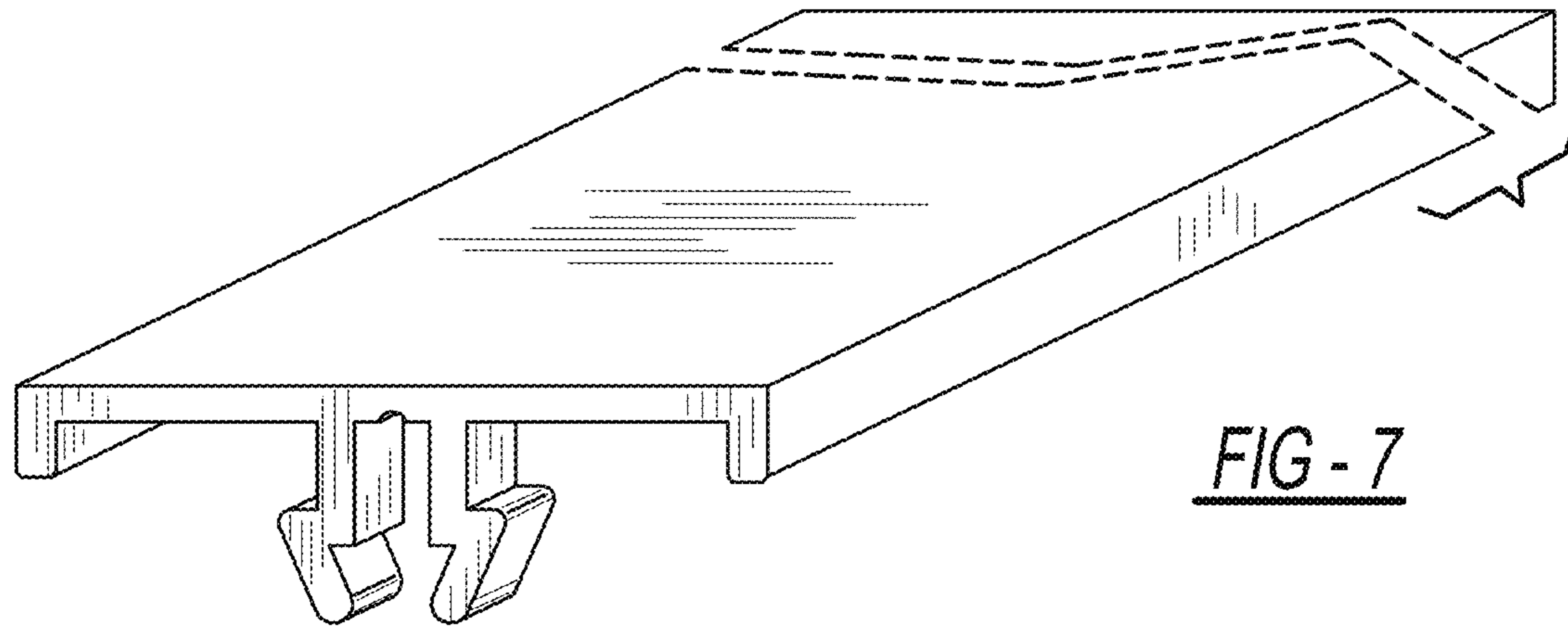


FIG - 8

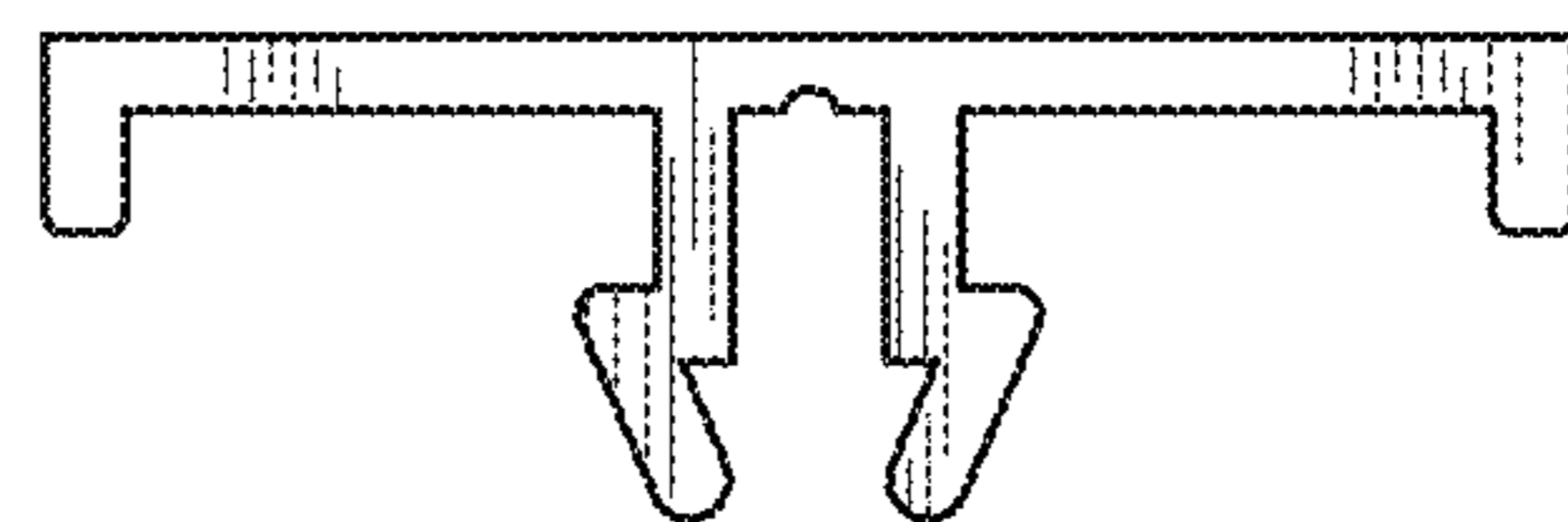


FIG - 9

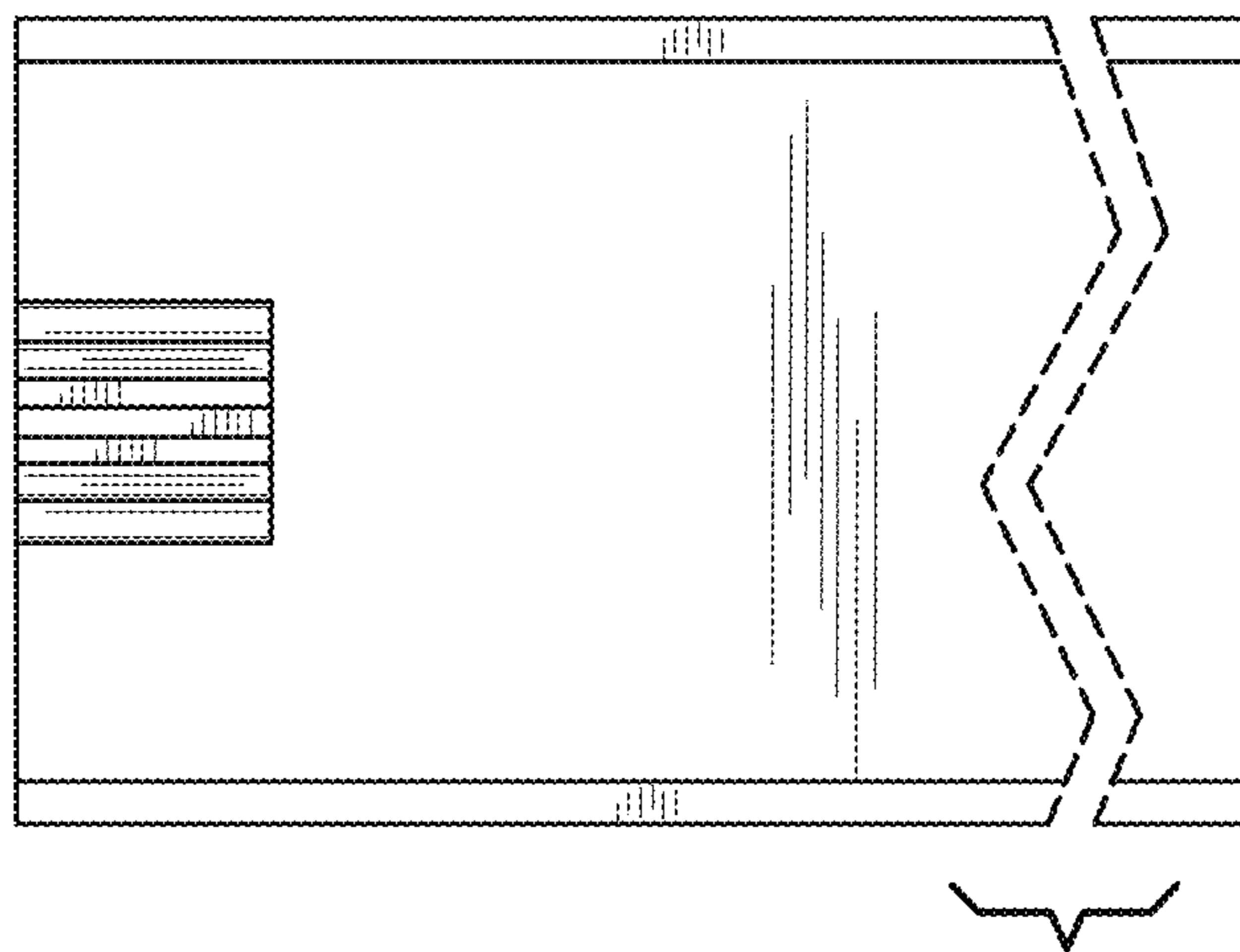


FIG - 10

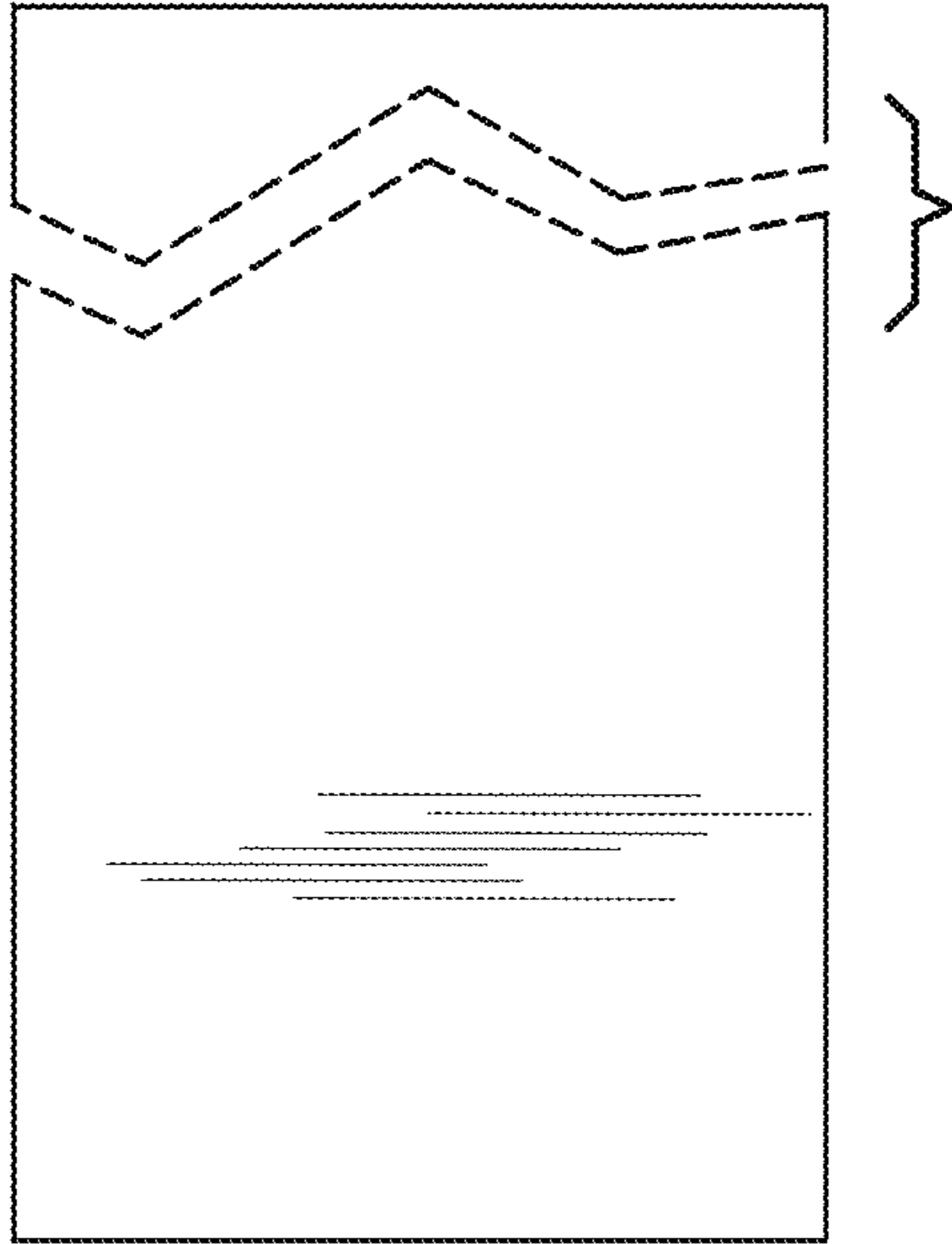


FIG - 11

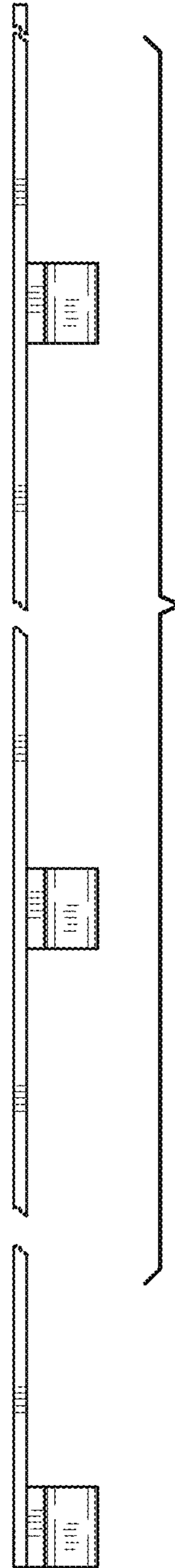
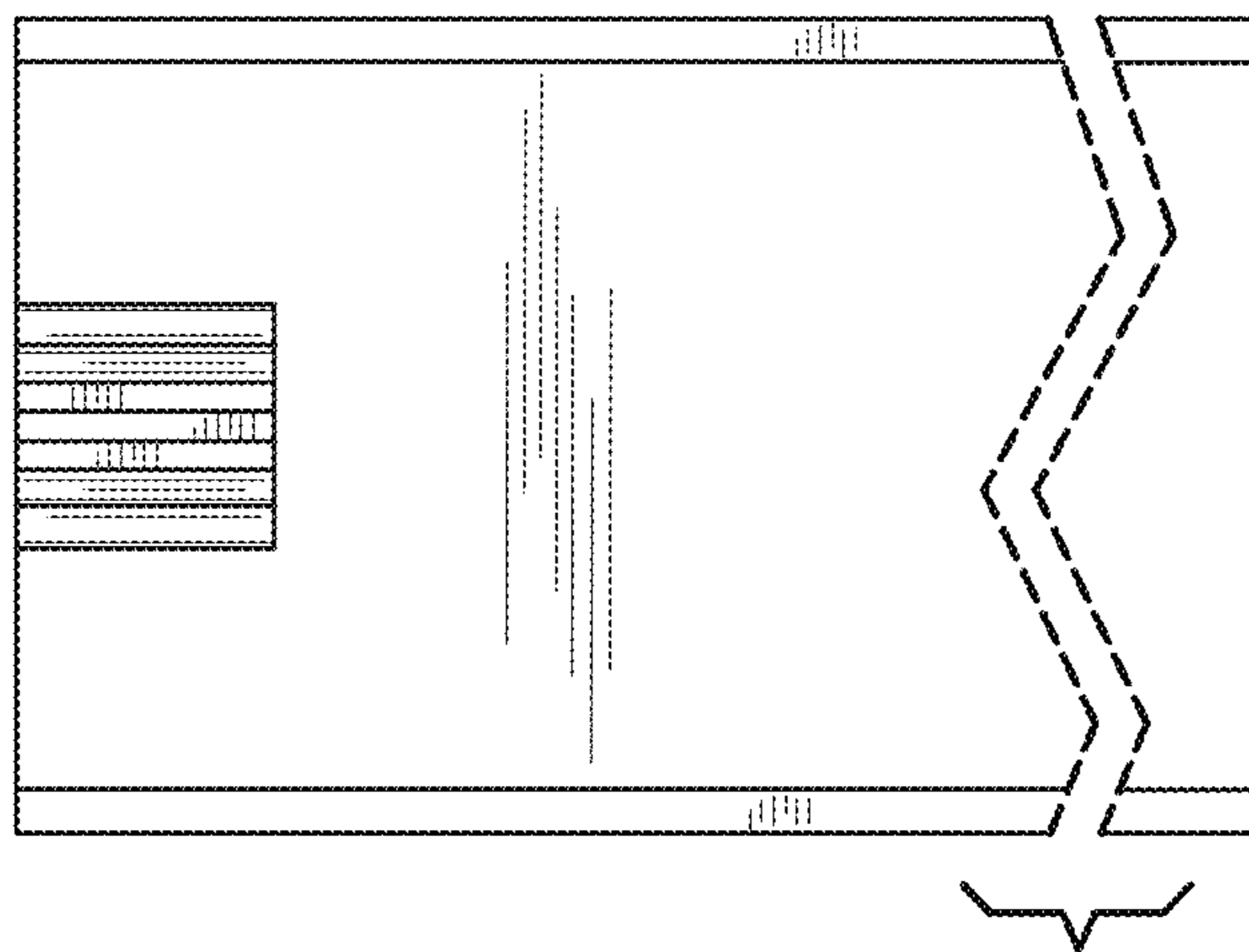
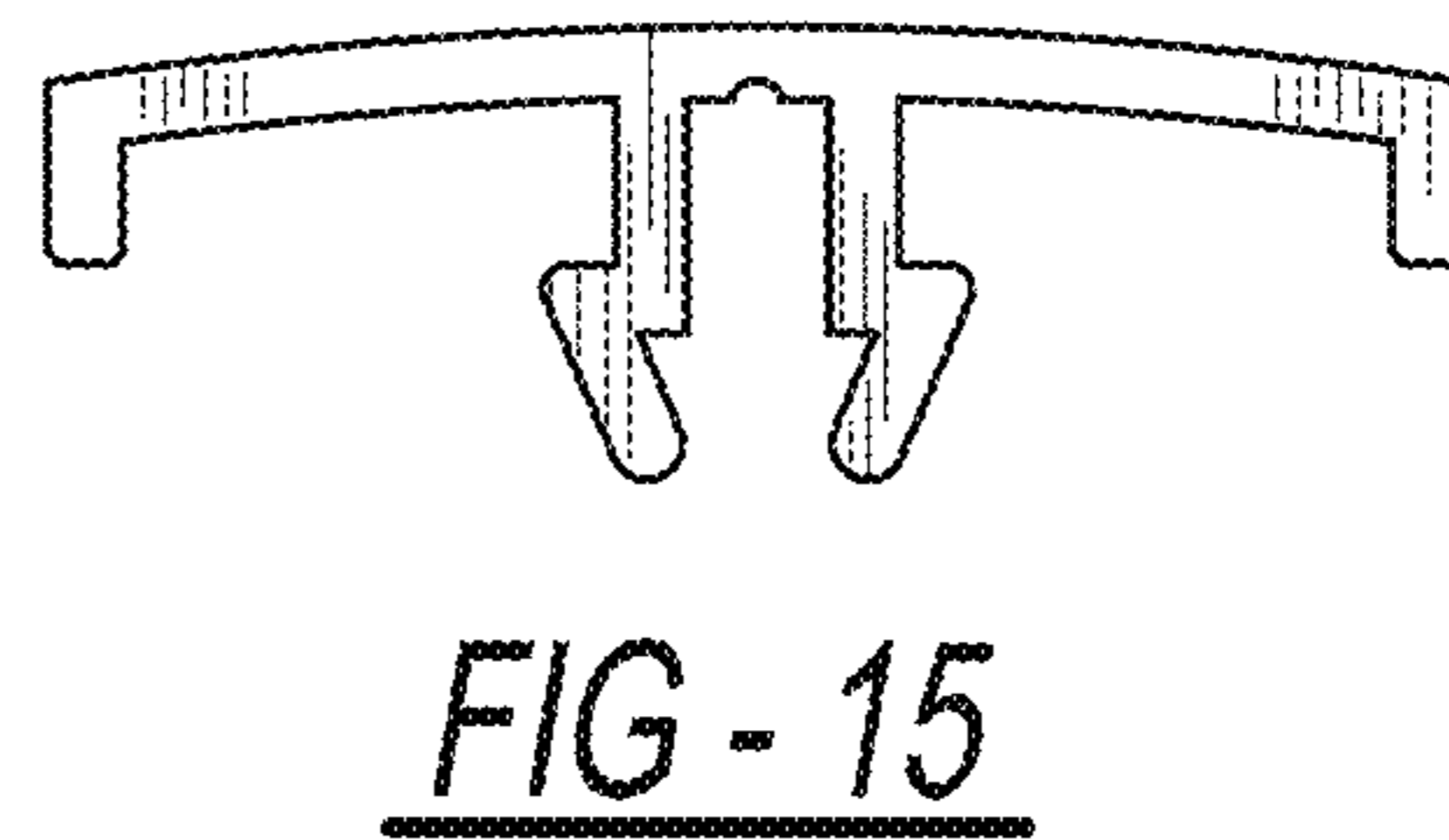
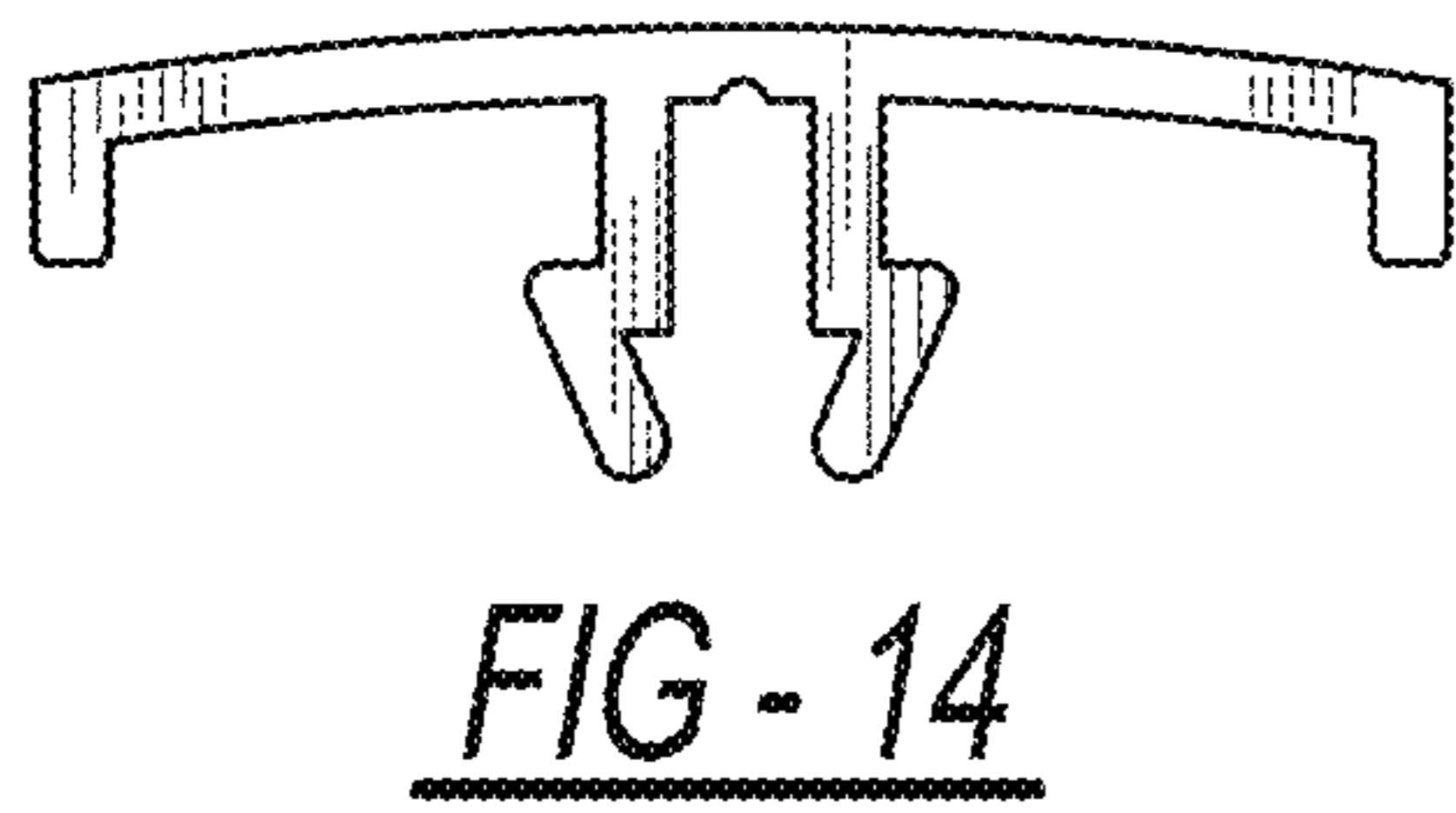
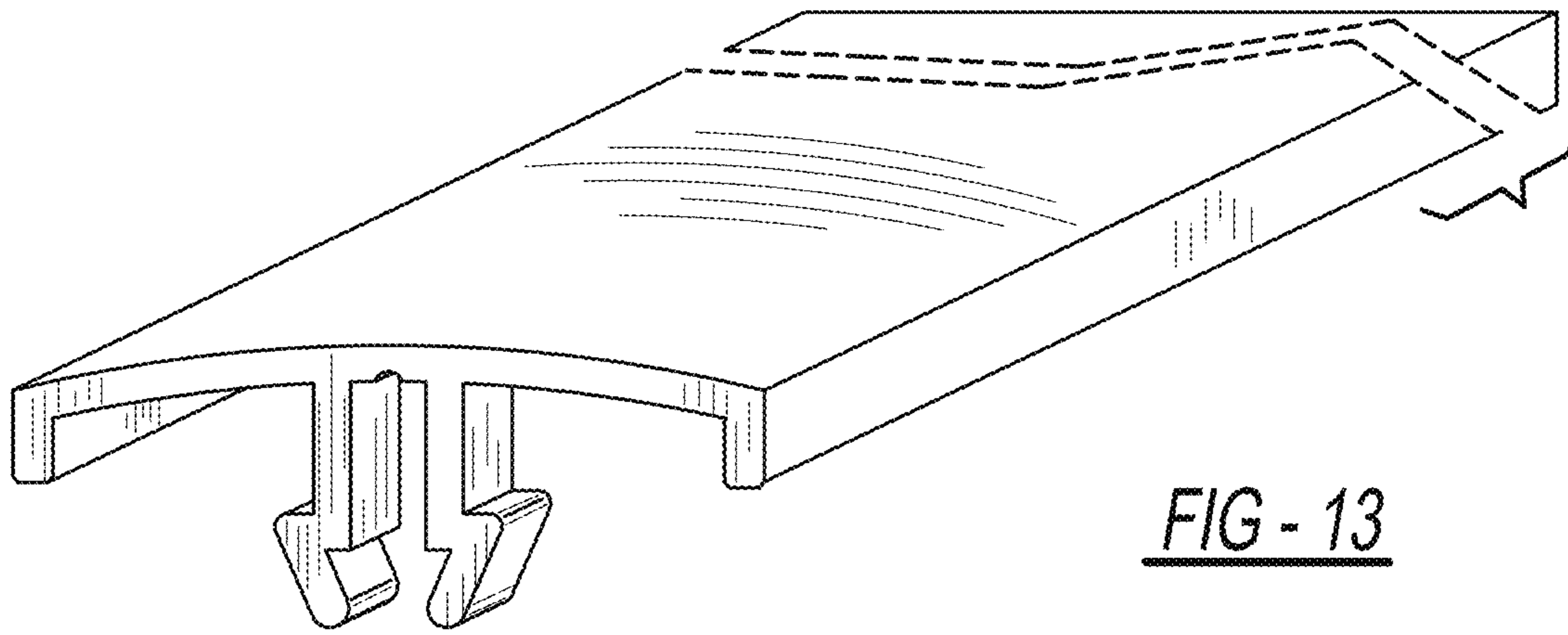


FIG - 12



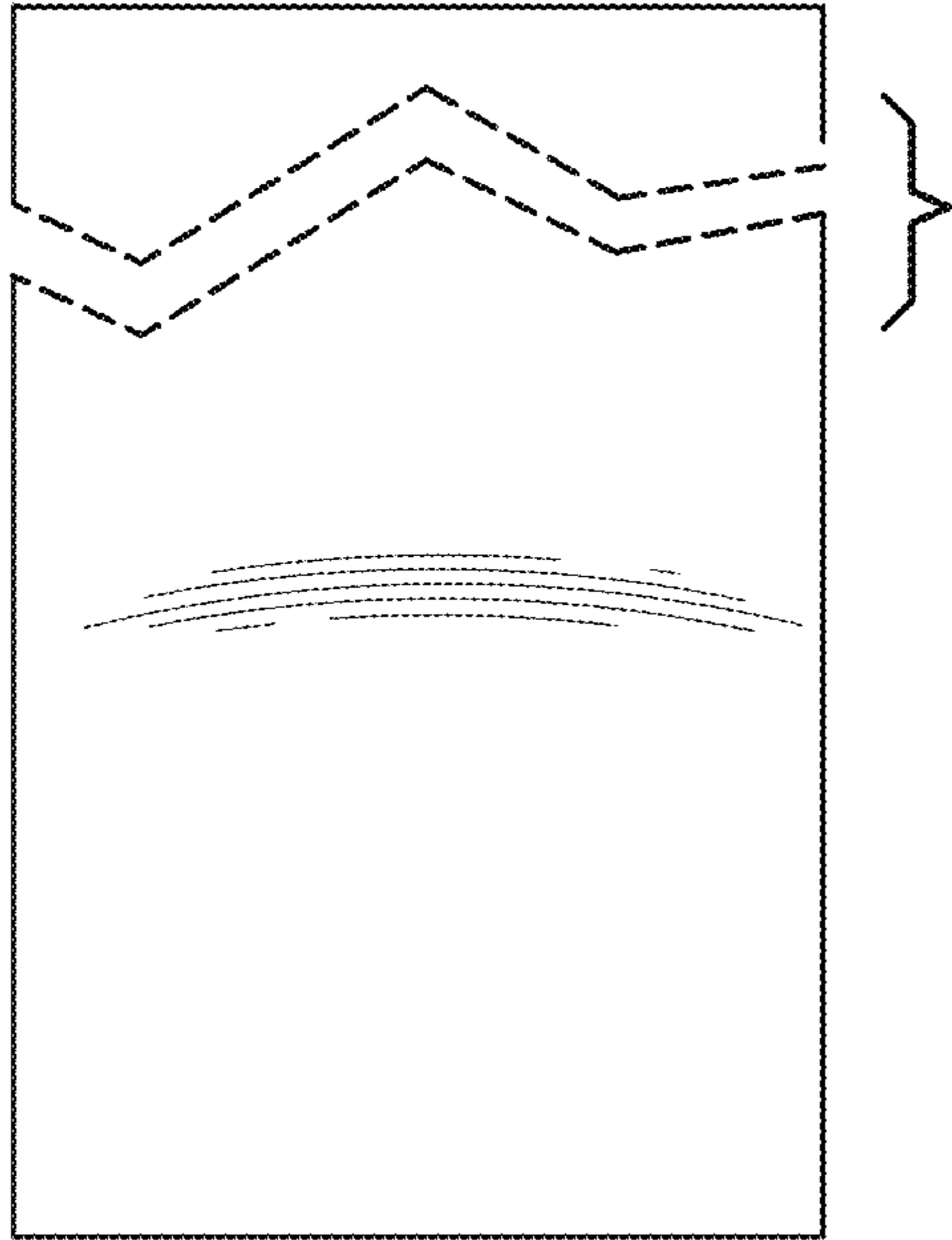


FIG - 17

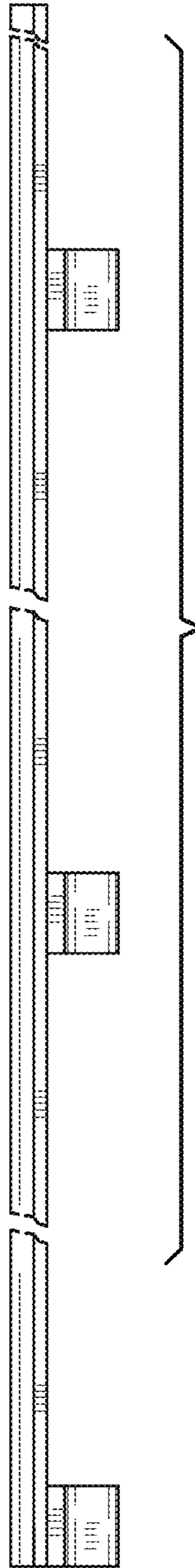


FIG - 18