



US00D860086S

(12) **United States Design Patent**
Burki

(10) **Patent No.:** **US D860,086 S**

(45) **Date of Patent:** **** Sep. 17, 2019**

(54) **SIDE VIEW MIRROR FOR MOTOR VEHICLE**

(71) Applicant: **Dr. Ing. h.c. F. Porsche Aktiengesellschaft, Stuttgart (DE)**

(72) Inventor: **Emiel Burki, Stuttgart (DE)**

(73) Assignee: **Dr. Ing. h.c. F. Porsche Aktiengesellschaft (DE)**

(**) Term: **15 Years**

(21) Appl. No.: **29/615,426**

(22) Filed: **Aug. 29, 2017**

(30) **Foreign Application Priority Data**

Mar. 1, 2017 (DE) 40 2017 100 231

(51) **LOC (12) Cl.** **12-16**

(52) **U.S. Cl.**
USPC **D12/187**

(58) **Field of Classification Search**
USPC D12/187, 188, 189; D6/300, 309; D26/28

CPC B60R 1/074; B60R 1/076; B60R 1/078; B60R 1/08; B60R 1/081; B60R 1/082; B60R 1/006; B60R 1/008; B60R 1/06; B60R 1/02; B60R 1/10

See application file for complete search history.

(56) **References Cited**

U.S. PATENT DOCUMENTS

D491,501 S * 6/2004 Kuo D12/187
D612,311 S * 3/2010 Weil D12/187

D631,805 S * 2/2011 Chen D12/187
D702,611 S 4/2014 Borkert
D702,612 S 4/2014 Borkert
D716,207 S * 10/2014 Callum D12/187
D720,669 S * 1/2015 Hammoud D12/187
D727,229 S 4/2015 Varga
D764,363 S 8/2016 Varga
D782,379 S * 3/2017 Wassell D12/187
D813,126 S * 3/2018 Scheinhutte D12/187
2018/0186292 A1 * 7/2018 Hamlin B60Q 1/2665

* cited by examiner

Primary Examiner — Susan E Krakower

Assistant Examiner — Jerry Shiuan-Hua Hsu

(74) *Attorney, Agent, or Firm* — RatnerPrestia

(57) **CLAIM**

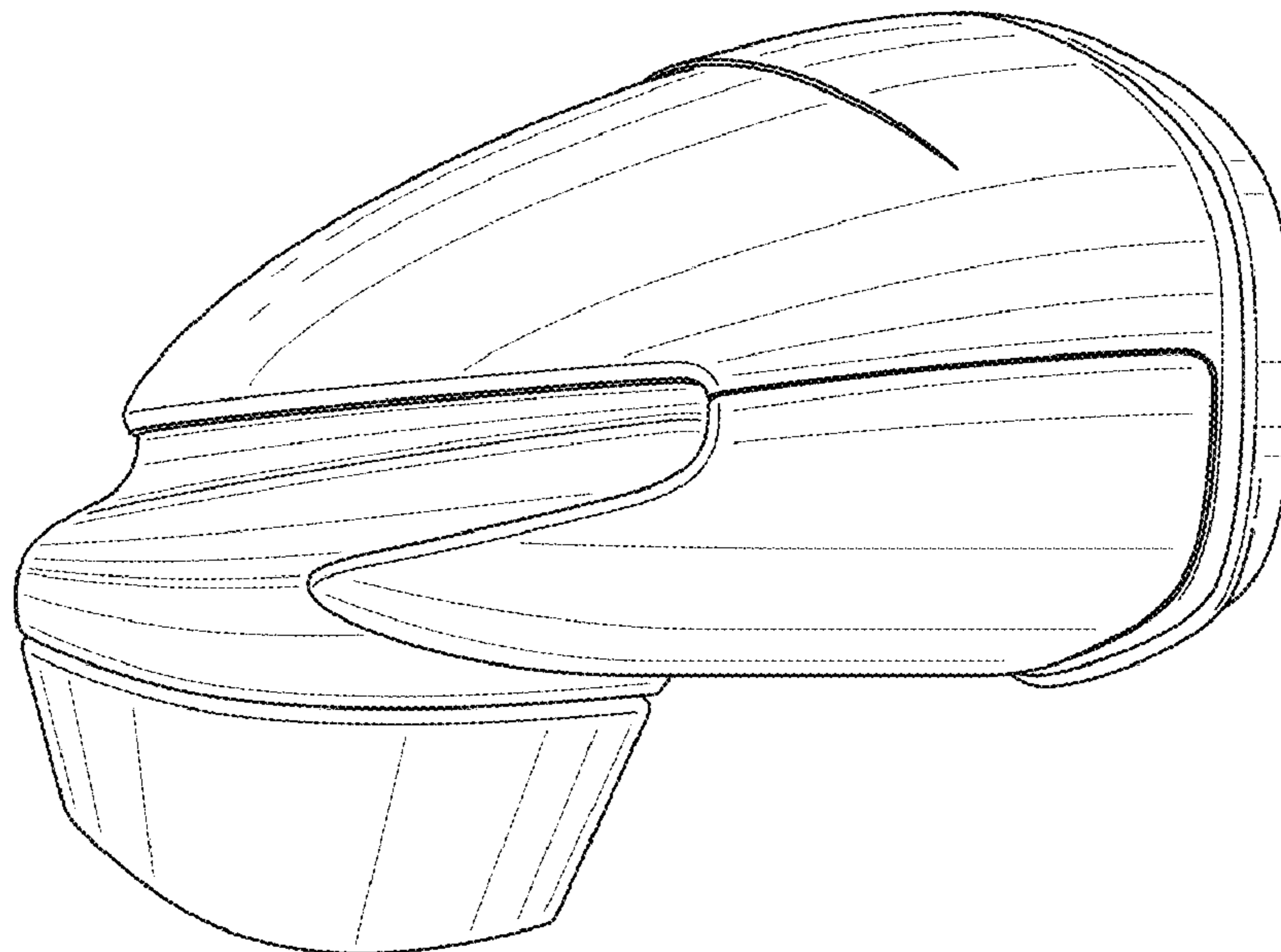
The ornamental design for a side view mirror for motor vehicle, as shown and described.

DESCRIPTION

FIG. 1 is a rear perspective view of a side view mirror for motor vehicle, showing my new design;
FIG. 2 is a front perspective view thereof;
FIG. 3 is a front elevation view thereof;
FIG. 4 is a rear elevation view thereof;
FIG. 5 is a right side elevation view thereof;
FIG. 6 is a left side elevation view thereof;
FIG. 7 is a top plan view thereof; and,
FIG. 8 is a bottom plan view thereof.

The broken lines illustrate portions of the side view mirror for motor vehicle that form no part of the claimed design.

1 Claim, 4 Drawing Sheets



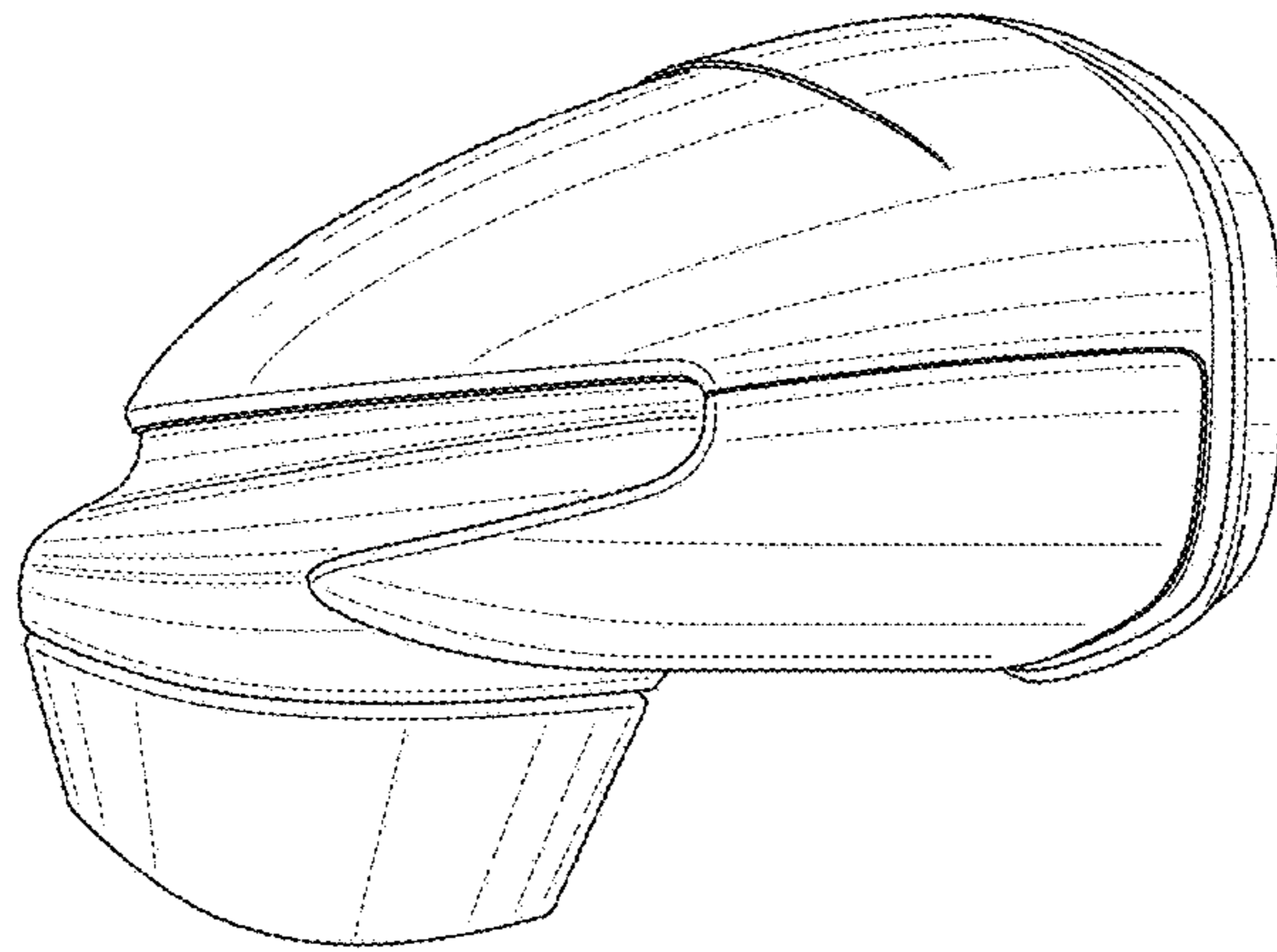


FIG. 1

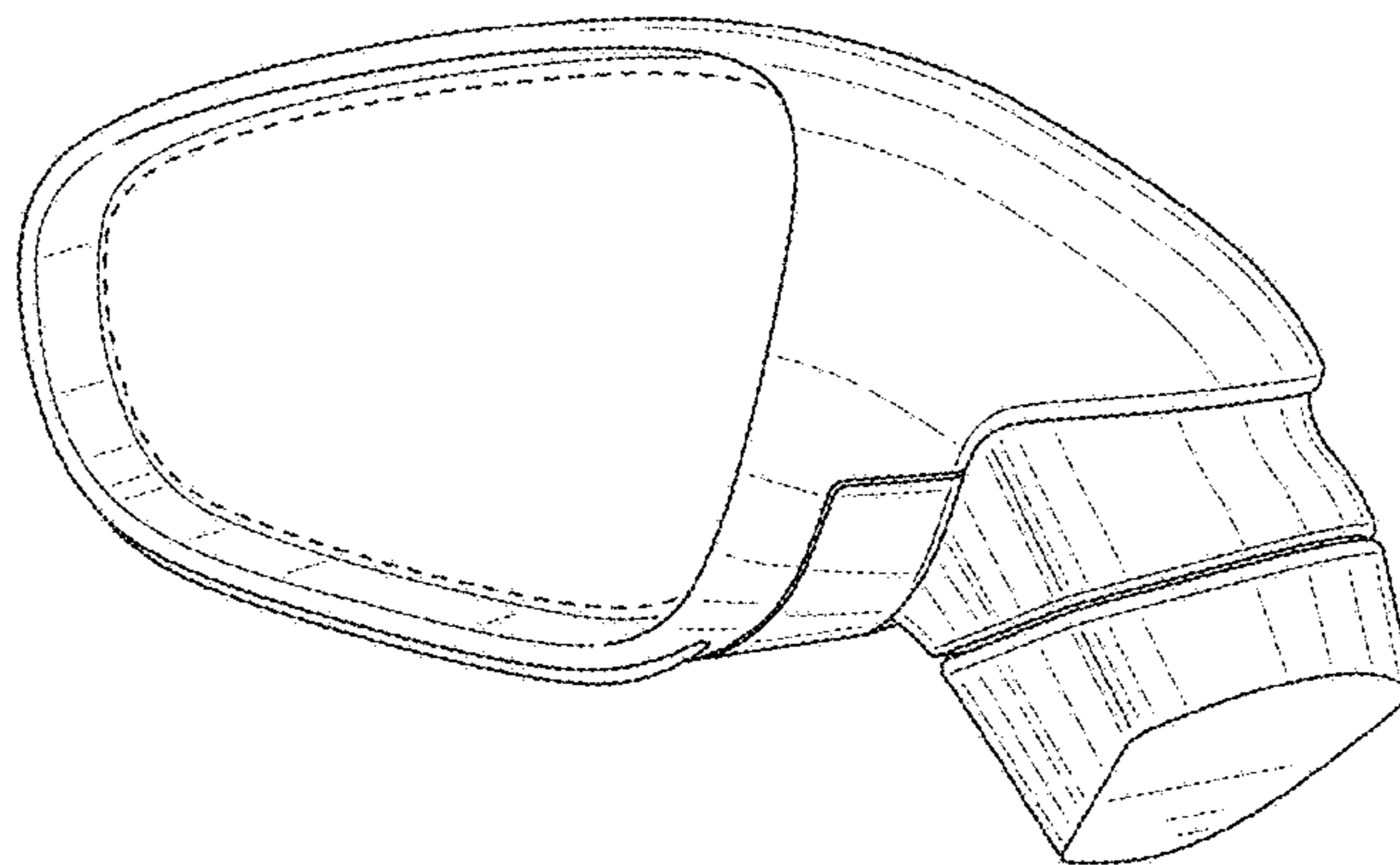


FIG. 2

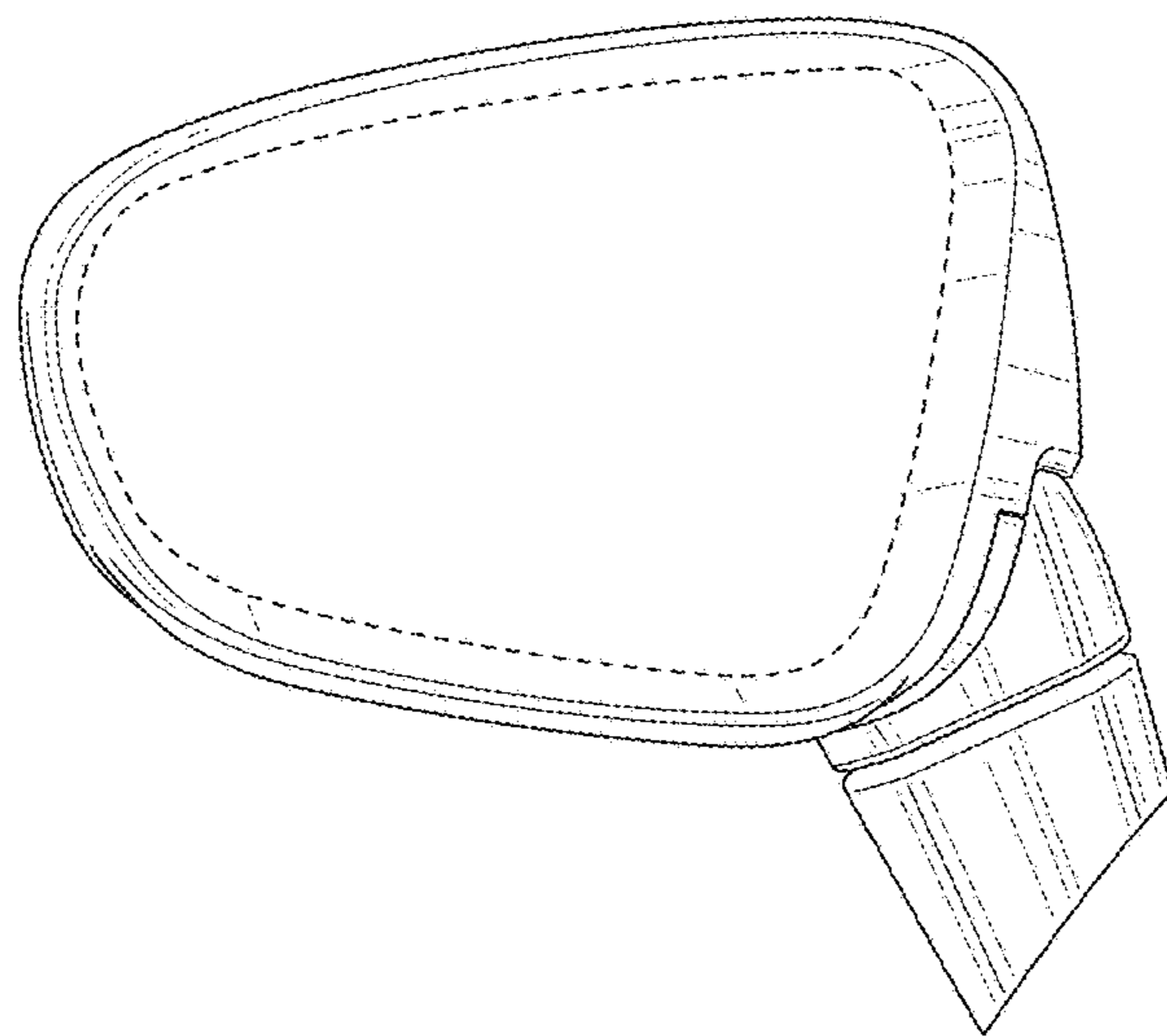


FIG. 3

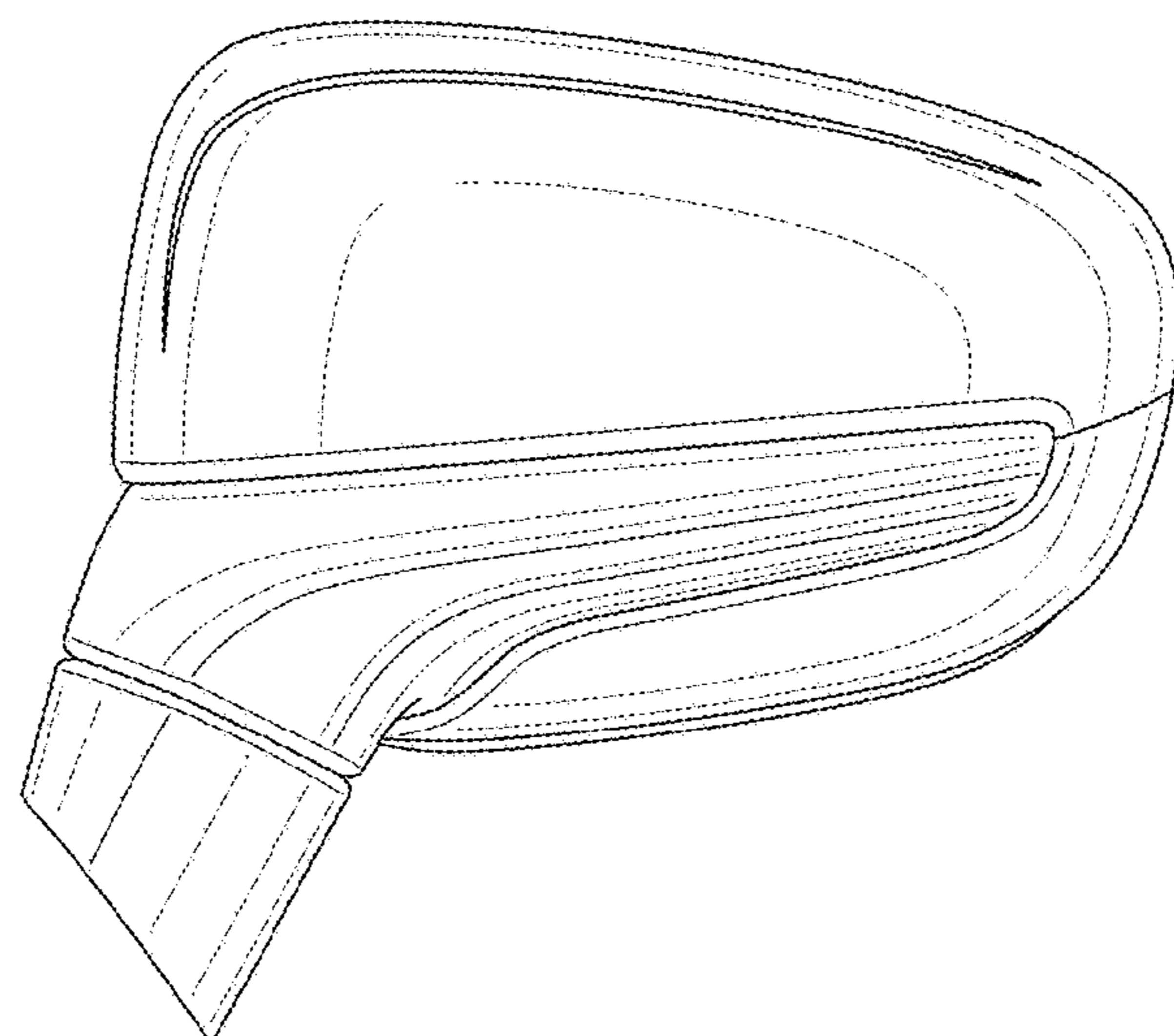


FIG. 4

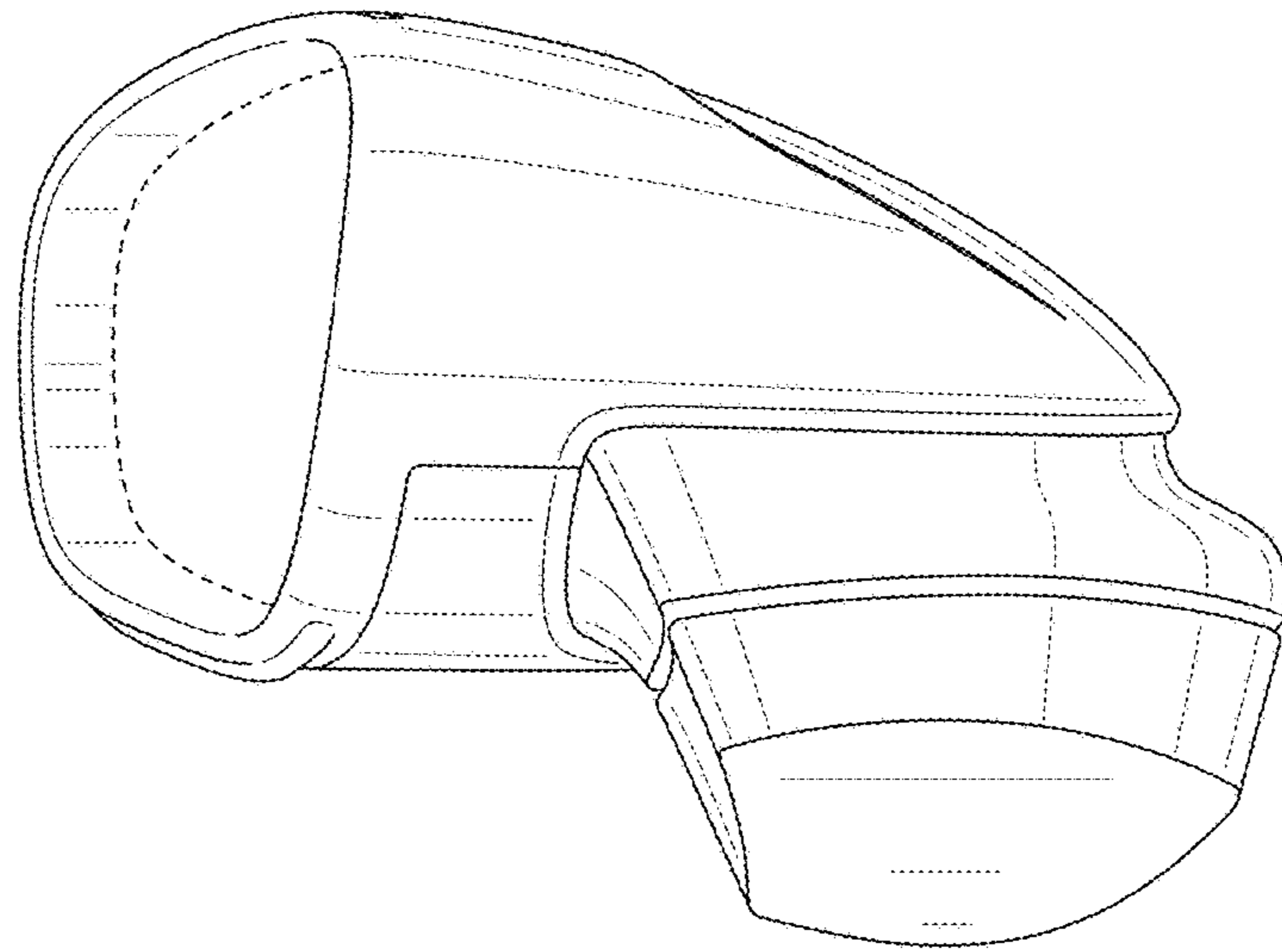


FIG. 5

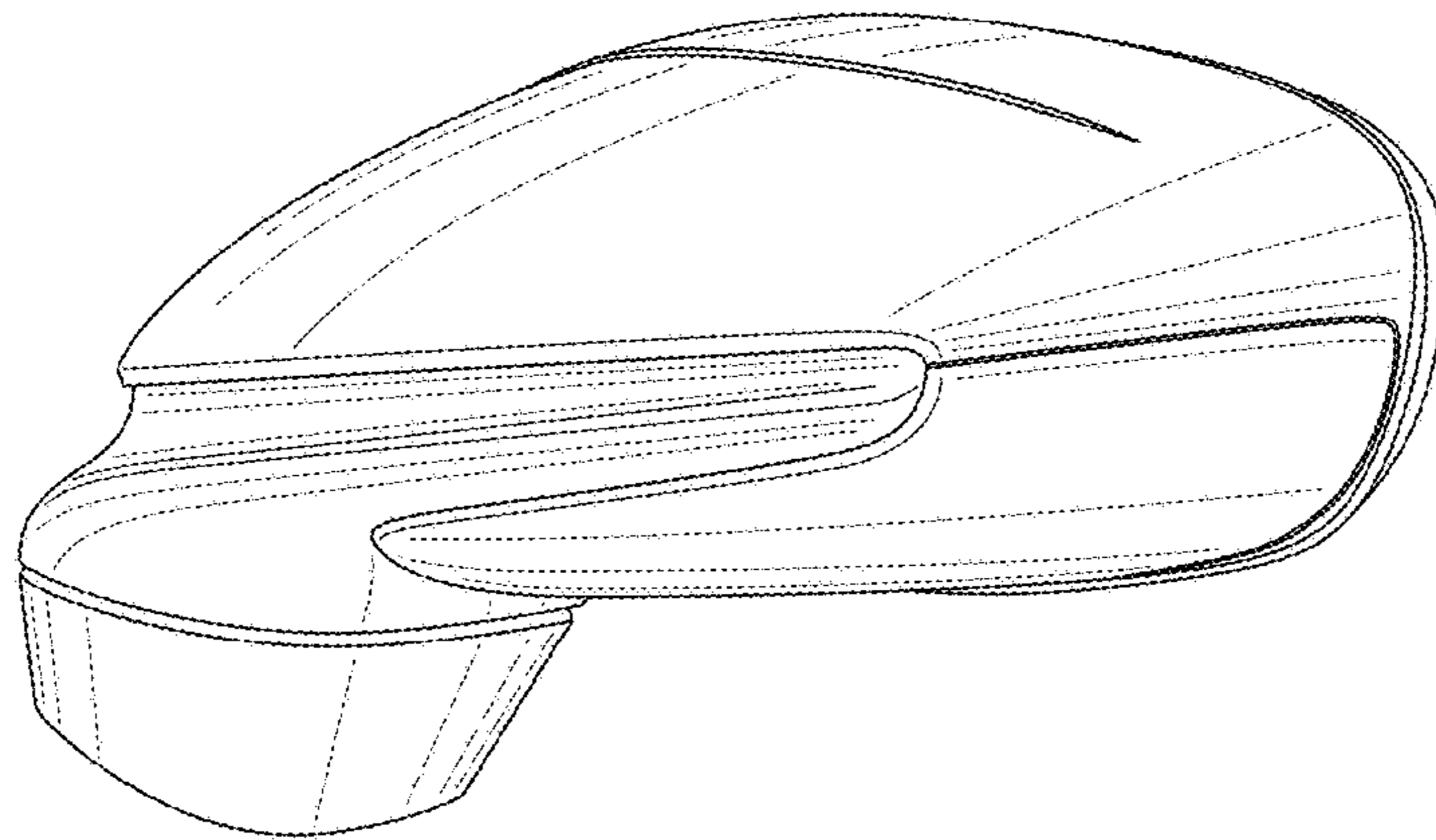


FIG. 6

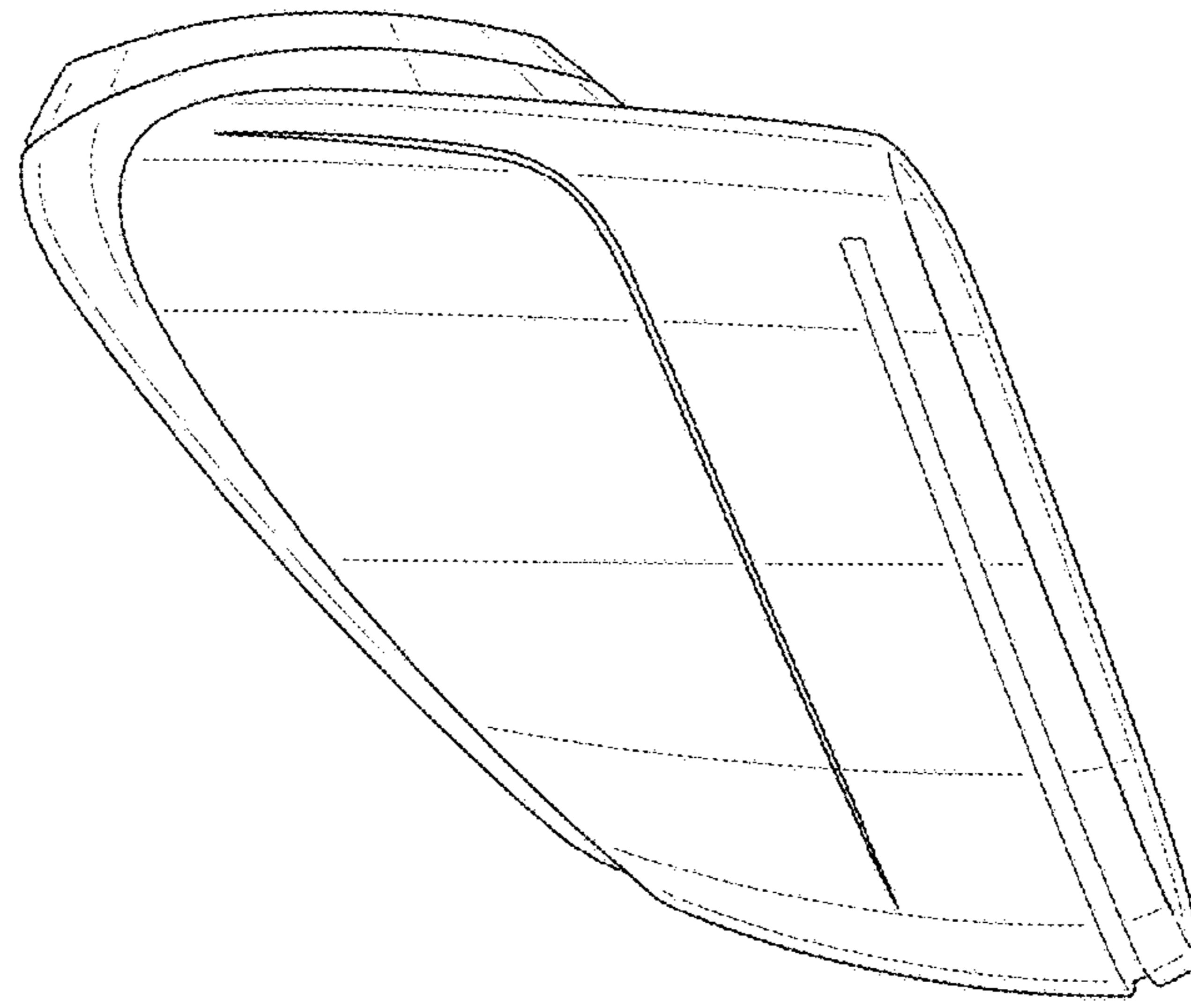


FIG. 7

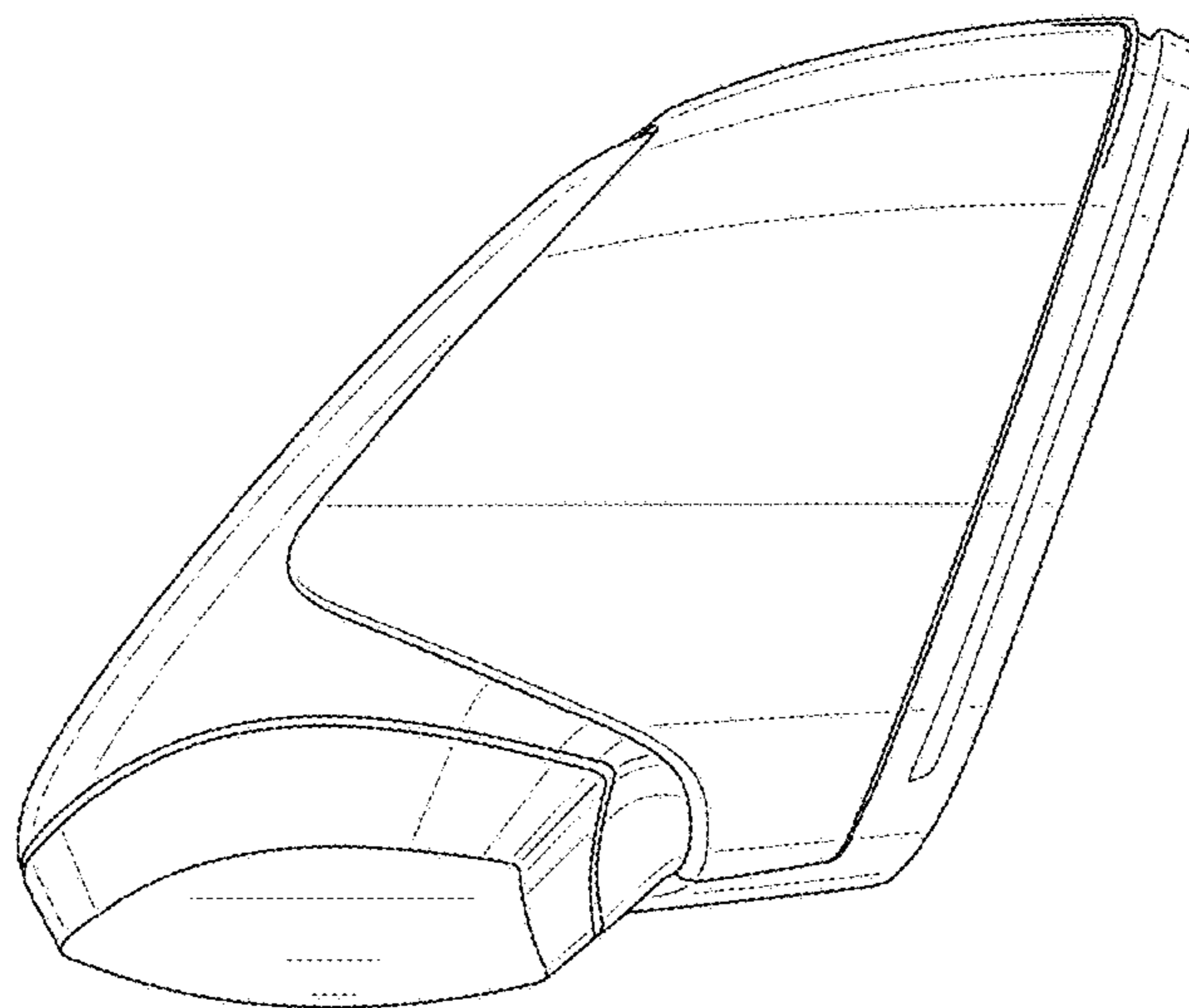


FIG. 8