



US00D860076S

(12) **United States Design Patent** (10) **Patent No.:** **US D860,076 S**
Bartels et al. (45) **Date of Patent:** **** Sep. 17, 2019**

(54) **VEHICLE FRONT BUMPER**
(71) Applicant: **GM GLOBAL TECHNOLOGY OPERATIONS LLC**, Detroit, MI (US)
(72) Inventors: **Konnor D. Bartels**, Royal Oak, MI (US); **Aaron D. Riggs**, Berkley, MI (US); **Bregt Ectors**, Royal Oak, MI (US)
(73) Assignee: **GM GLOBAL TECHNOLOGY OPERATIONS LLC**, Detroit, MI (US)
(**) Term: **15 Years**
(21) Appl. No.: **29/625,133**
(22) Filed: **Nov. 7, 2017**
(51) **LOC (12) Cl.** **12-16**
(52) **U.S. Cl.**
USPC **D12/169**
(58) **Field of Classification Search**
USPC D12/169, 196, 86, 90-92; 293/102, 113, 293/115, 117, 120; 296/180.1, 180.2
CPC B60R 19/02; B60R 19/04; B62D 25/08
See application file for complete search history.

D608,690 S 1/2010 Folden et al.
D608,691 S 1/2010 Zak, Jr. et al.
D609,608 S 2/2010 Boniface et al.
D611,387 S 3/2010 Thompson et al.
D611,879 S 3/2010 Kim et al.
D612,297 S 3/2010 Peters et al.
D613,645 S 4/2010 Song et al.
D615,458 S 5/2010 Thompson et al.
D618,595 S 6/2010 Ware et al.
D623,090 S 9/2010 Cox et al.
D627,262 S 11/2010 Ikeda et al.
D635,488 S 4/2011 Phipps
D644,147 S 8/2011 Suh et al.
D644,567 S 9/2011 Kozub
D657,718 S 4/2012 Zipfel et al.
D659,052 S 5/2012 Ware et al.
D659,053 S 5/2012 Ware et al.
D668,182 S 10/2012 Barba Franco et al.
D668,183 S 10/2012 Smart
D678,820 S 3/2013 Song et al.
D678,821 S 3/2013 Ikeda et al.

(Continued)

Primary Examiner — Melody N Brown

(57) **CLAIM**

The ornamental design for a vehicle front bumper, as shown and described.

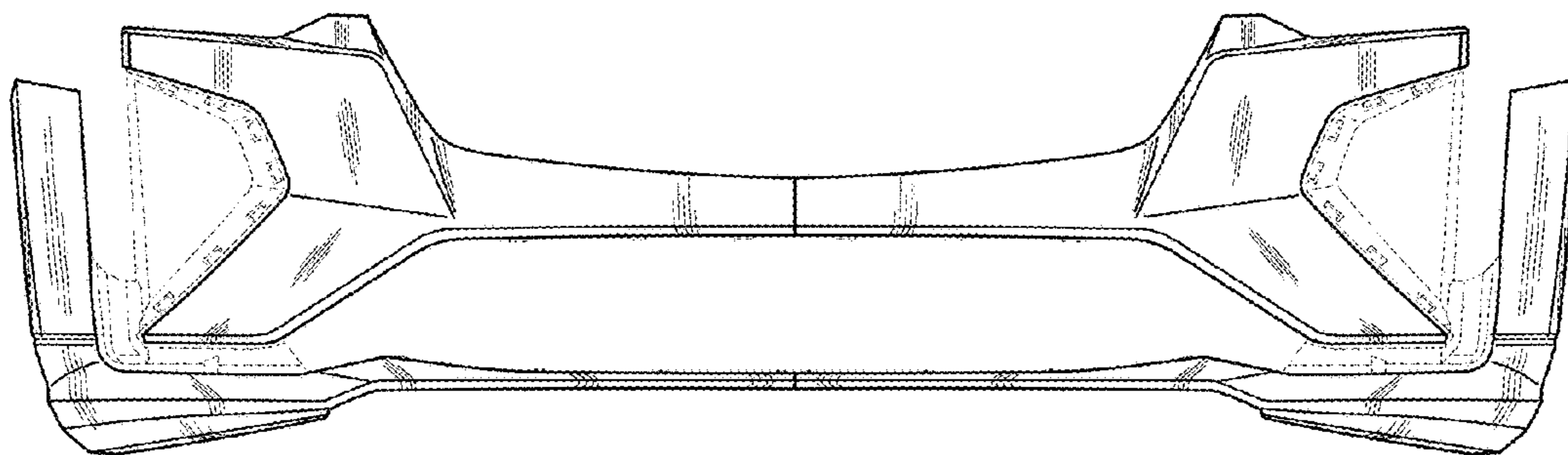
DESCRIPTION

FIG. 1 is a front and left side perspective view of a vehicle front bumper showing our new design; FIG. 2 is a front elevation view thereof; FIG. 3 is a left side elevation view thereof, the right side being a mirror image of the left side shown; and, FIG. 4 is a top plan view thereof. The broken lines shown in the drawings depict portions of the vehicle front bumper that form no part of the claimed design. The shade lines in the figures show contour and not surface ornamentation.

1 Claim, 4 Drawing Sheets

(56) **References Cited**
U.S. PATENT DOCUMENTS

D570,742 S 6/2008 Takagi et al.
D592,105 S 5/2009 Dean et al.
D597,447 S 8/2009 Folden
D600,595 S 9/2009 Nakamura et al.
D601,925 S 10/2009 O'Donnell
D603,755 S 11/2009 Peters
D604,203 S 11/2009 O'Donnell
D605,082 S 12/2009 Munson
D605,083 S 12/2009 Manoogian, II et al.
D605,977 S 12/2009 Zipfel et al.
D605,978 S 12/2009 Wolff et al.
D608,249 S 1/2010 Peters



(56)

References Cited

U.S. PATENT DOCUMENTS

D680,909 S	4/2013	Munson et al.	D753,560 S	4/2016	McMahan et al.
D680,910 S	4/2013	David	D753,567 S	4/2016	Boniface et al.
D684,899 S	6/2013	Baker	D754,571 S	4/2016	Boniface et al.
D686,536 S	7/2013	McCabe et al.	D754,572 S	4/2016	McMahan et al.
D692,798 S	11/2013	Thurber	D755,088 S	5/2016	McMahan et al.
D692,799 S	11/2013	Smith et al.	D756,869 S	5/2016	McMahan et al.
D696,157 S	12/2013	Loeb	D758,271 S	6/2016	McMahan et al.
D699,629 S	2/2014	Ikeda et al.	D764,975 S	8/2016	Aengenheyster
D700,871 S	3/2014	O'Donnell et al.	D764,976 S	8/2016	Aengenheyster
D703,103 S	4/2014	Lee	D767,449 S	9/2016	Pevovar et al.
D704,103 S	5/2014	Mack et al.	D767,450 S	9/2016	Lee et al.
D705,132 S	5/2014	Ware et al.	D767,451 S	9/2016	Kozub et al.
D705,699 S	5/2014	Ware et al.	D767,454 S	9/2016	McMahan et al.
D713,298 S	9/2014	Dyson	D767,458 S	9/2016	Kim
D713,764 S	9/2014	Ferlazzo et al.	D767,459 S	9/2016	Kim
D716,696 S	11/2014	Thole et al.	D767,460 S	9/2016	Kozub et al.
D716,706 S	11/2014	Thole et al.	D767,461 S	9/2016	Kozub et al.
D716,709 S	11/2014	Thole et al.	D771,528 S	11/2016	Smith et al.
D717,696 S	11/2014	Thole et al.	D771,529 S	11/2016	Thole et al.
D718,189 S	11/2014	Krieg et al.	D771,532 S	11/2016	Kapitonov
D718,683 S	12/2014	Thole et al.	D771,533 S	11/2016	Kapitonov
D722,282 S	2/2015	Loeb	D772,766 S	11/2016	Kozub et al.
D722,533 S	2/2015	Thole et al.	D772,767 S	11/2016	Kim
D722,534 S	2/2015	Munson et al.	D773,084 S	11/2016	Kapitonov
D724,510 S	3/2015	McMahan et al.	D773,086 S	11/2016	McCabe et al.
D725,001 S	3/2015	McMahan et al.	D774,226 S	12/2016	McCabe et al.
D726,591 S	4/2015	Jacob	D775,003 S	12/2016	Pevovar et al.
D730,776 S	6/2015	Smart	D775,007 S	12/2016	Thole et al.
D730,783 S	6/2015	Henriques et al.	D775,010 S	12/2016	Kim et al.
D732,427 S	6/2015	Loeb	D775,049 S	12/2016	Scheer et al.
D732,429 S	6/2015	Loeb	D775,549 S	1/2017	Karras
D732,430 S	6/2015	Loeb	D775,554 S	1/2017	Kapitonov
D732,431 S	6/2015	Loeb	D776,020 S	1/2017	Kapitonov
D732,432 S	6/2015	Aengenheyster	D776,581 S	1/2017	Pevovar et al.
D732,433 S	6/2015	Aengenheyster	D776,583 S	1/2017	Scheer et al.
D732,435 S	6/2015	Mackay	D776,841 S	1/2017	Kozub et al.
D733,002 S	6/2015	Loeb	D776,843 S	1/2017	McCabe et al.
D735,611 S	8/2015	Aengenheyster	D776,846 S	1/2017	Willett et al.
D735,627 S	8/2015	Smith	D777,359 S	1/2017	Kozub et al.
D736,451 S	8/2015	Smith	D777,360 S	1/2017	Kozub et al.
D739,306 S	9/2015	McMahan et al.	D777,361 S	1/2017	Kozub et al.
D739,317 S	9/2015	McMahan et al.	D777,604 S	1/2017	McNerney
D741,223 S	10/2015	Kim et al.	D777,605 S	1/2017	Ferlazzo et al.
D743,309 S	11/2015	Thole et al.	D777,620 S	1/2017	Pevovar et al.
D743,313 S	11/2015	Smith et al.	D777,621 S	1/2017	Kim
D743,314 S	11/2015	Thole et al.	D777,622 S	1/2017	Kozub et al.
D743,857 S	11/2015	McMahan et al.	D777,628 S	1/2017	Kozub et al.
D744,158 S	11/2015	Willett et al.	D777,955 S	1/2017	Willett et al.
D745,086 S	12/2015	Finos et al.	D778,212 S	2/2017	Kozub et al.
D745,719 S	12/2015	Boniface et al.	D778,215 S	2/2017	Kozub et al.
D745,725 S	12/2015	McMahan et al.	D780,064 S	2/2017	Smith et al.
D745,726 S	12/2015	McMahan et al.	D780,067 S	2/2017	Zipfel et al.
D745,837 S	12/2015	Smith et al.	D780,068 S	2/2017	Whitla et al.
D746,726 S	1/2016	Smith et al.	D780,077 S	2/2017	Kim et al.
D746,727 S	1/2016	Smith et al.	D780,081 S	2/2017	Lee
D746,728 S	1/2016	Smith et al.	D780,084 S	2/2017	Scheer et al.
D746,729 S	1/2016	Boniface et al.	D780,631 S	3/2017	Kozub et al.
D746,730 S	1/2016	Kim et al.	D780,644 S	3/2017	Kim et al.
D747,514 S	1/2016	McMahan et al.	D781,184 S	3/2017	Thole et al.
D747,515 S	1/2016	McMahan et al.	D781,192 S	3/2017	Kozub et al.
D747,819 S	1/2016	Thole et al.	D782,379 S	3/2017	Wassell
D749,021 S	2/2016	Boniface et al.	D783,482 S	4/2017	Smith et al.
D749,026 S	2/2016	Smith et al.	D784,213 S	4/2017	Karras
D749,027 S	2/2016	McMahan et al.	D784,223 S	4/2017	Lee
D749,246 S	2/2016	Thole et al.	D784,226 S	4/2017	Cheng
D749,249 S	2/2016	Thole et al.	D784,579 S	4/2017	Cheng et al.
D749,250 S	2/2016	Thole et al.	D784,877 S	4/2017	Lee
D749,985 S	2/2016	Kozub et al.	D784,886 S	4/2017	Smith et al.
D749,997 S	2/2016	McMahan et al.	D785,521 S	5/2017	Smith et al.
D750,001 S	2/2016	Thole et al.	D786,149 S	5/2017	Pevovar et al.
D753,032 S	4/2016	Smith et al.	D786,743 S	5/2017	Smith et al.
D753,033 S	4/2016	Thole et al.	D786,750 S	5/2017	Lee
D753,034 S	4/2016	Thole et al.	D787,446 S	5/2017	Cockerill
D753,035 S	4/2016	Boniface et al.	D787,984 S	5/2017	Fang
D753,559 S	4/2016	McMahan et al.	D787,988 S	5/2017	Lee
			D787,989 S	5/2017	Kozub et al.
			D787,990 S	5/2017	Kozub et al.
			D787,992 S	5/2017	Lee
			D787,993 S	5/2017	McCabe et al.

(56)

References Cited

U.S. PATENT DOCUMENTS

D788,001 S	5/2017	Lee	D813,756 S	3/2018	Loeb	
D788,641 S	6/2017	Arnold	D813,757 S	3/2018	Kozub	
D788,644 S	6/2017	Mueller	D813,758 S	3/2018	Gonzales	
D788,645 S	6/2017	Mueller	D813,759 S	3/2018	Perkins	
D789,250 S	6/2017	Arnold	D815,998 S	* 3/2018	Loeb	D12/169
D789,260 S	6/2017	Smith	D814,369 S	4/2018	Loeb	
D789,575 S	6/2017	Willett	D814,982 S	4/2018	Whitla et al.	
D789,841 S	6/2017	Lee	D814,983 S	4/2018	Whitla et al.	
D789,849 S	6/2017	Lee	D815,570 S	4/2018	McMahan et al.	
D791,018 S	7/2017	Mylenek	D815,572 S	4/2018	Perkins	
D791,644 S	7/2017	Fang	D815,573 S	4/2018	Whitla et al.	
D792,290 S	7/2017	Smith et al.	D815,574 S	4/2018	Mainville	
D792,293 S	7/2017	McCabe et al.	D815,985 S	4/2018	Mueller	
D792,294 S	7/2017	McCabe et al.	D815,993 S	4/2018	Kozub et al.	
D792,295 S	7/2017	McCabe et al.	D815,994 S	4/2018	Nakamura	
D792,815 S	7/2017	Kozub	D816,003 S	4/2018	Perkins	
D792,816 S	7/2017	Kozub	D816,558 S	5/2018	McMahan et al.	
D793,290 S	8/2017	Kozub	D816,559 S	5/2018	McMahan et al.	
D793,292 S	8/2017	Lee	D816,561 S	5/2018	McMahan	
D793,293 S	8/2017	Lee et al.	D816,562 S	5/2018	Whitla et al.	
D793,294 S	8/2017	Lee	D816,563 S	5/2018	McMahan et al.	
D793,295 S	8/2017	McCabe et al.	D816,564 S	5/2018	Kim	
D793,296 S	8/2017	Smith et al.	D816,565 S	5/2018	Kim	
D793,297 S	8/2017	Smith et al.	D816,566 S	* 5/2018	Loeb	D12/169
D793,299 S	8/2017	Kreig et al.	D817,836 S	5/2018	McMahan et al.	
D793,300 S	8/2017	Kreig et al.	D818,156 S	5/2018	Kim et al.	
D793,301 S	8/2017	Kozub	D818,157 S	5/2018	Zipfel et al.	
D793,302 S	8/2017	Kozub	D818,158 S	5/2018	Zipfel et al.	
D793,311 S	8/2017	Whitla et al.	D818,159 S	5/2018	Zipfel et al.	
D793,590 S	8/2017	Kozub et al.	D818,160 S	5/2018	Perkins	
D793,591 S	8/2017	Kozub et al.	D818,406 S	5/2018	McMahan et al.	
D793,917 S	8/2017	Kozub	D818,876 S	5/2018	Whitla et al.	
D793,918 S	8/2017	Kozub	D818,877 S	5/2018	Nakamura et al.	
D794,229 S	8/2017	Barry	D818,878 S	5/2018	McMahan et al.	
D794,230 S	8/2017	Kozub	D818,892 S	5/2018	Lee	
D795,747 S	8/2017	Bailie	D818,893 S	5/2018	Kim	
D795,757 S	8/2017	Pevovar et al.	D818,903 S	5/2018	Zipfel et al.	
D795,758 S	8/2017	Karras	D818,906 S	5/2018	McMahan	
D795,759 S	8/2017	Kozub et al.	D818,907 S	5/2018	Whitla et al.	
D795,760 S	8/2017	Kozub et al.	D818,915 S	5/2018	Kozub et al.	
D795,762 S	8/2017	Lee	D818,922 S	5/2018	Whitla et al.	
D795,763 S	8/2017	Kozub	D823,748 S	* 5/2018	Kim	D12/169
D796,088 S	8/2017	McCabe et al.	D819,505 S	6/2018	McMahan et al.	
D796,093 S	8/2017	Mainville	D819,519 S	6/2018	Whitla et al.	
D796,390 S	9/2017	Pevovar et al.	D819,525 S	* 6/2018	Behmer	D12/169
D797,537 S	9/2017	Cooper et al.	D821,617 S	6/2018	Perkins	
D797,603 S	9/2017	Noone et al.	D822,550 S	7/2018	Wassell et al.	
D797,614 S	9/2017	Lee	D822,551 S	7/2018	McMahan et al.	
D797,616 S	9/2017	Lee	D823,188 S	7/2018	Loeb	
D797,624 S	9/2017	Nakamura	D823,738 S	7/2018	Kim	
D797,625 S	9/2017	Perkins	D823,741 S	7/2018	Kim	
D797,631 S	9/2017	Pevovar et al.	D823,762 S	7/2018	Loeb	
D797,632 S	9/2017	Zipfel et al.	D823,763 S	7/2018	Koo et al.	
D797,967 S	9/2017	Barry	D824,300 S	* 7/2018	Badstuebner	D12/169
D797,970 S	9/2017	Mainville	D830,920 S	* 7/2018	Gueler	D12/169
D797,971 S	9/2017	Mainville	D824,811 S	8/2018	Mainville	
D797,972 S	9/2017	Whitla et al.	D824,812 S	8/2018	Loeb	
D798,204 S	9/2017	Mainville	D824,817 S	* 8/2018	Morikawa	D12/169
D799,384 S	10/2017	Kozub et al.	D824,818 S	* 8/2018	Morikawa	D12/169
D799,385 S	10/2017	Kozub et al.	D824,824 S	8/2018	Kim	
D799,386 S	10/2017	Kozub et al.	D824,825 S	8/2018	Loeb	
D799,728 S	10/2017	Whitla et al.	D825,083 S	8/2018	Perkins	
D813,731 S	3/2018	McMahan	D825,388 S	8/2018	Karras et al.	
D813,732 S	3/2018	Whitla et al.	D825,403 S	8/2018	Whitla et al.	
D813,733 S	3/2018	Lee	D826,114 S	8/2018	Smith et al.	
D813,734 S	3/2018	Nakamura	D826,435 S	8/2018	Kim	
D813,740 S	3/2018	Park	D826,803 S	8/2018	Smith et al.	
D813,741 S	3/2018	Perkins	D827,506 S	9/2018	McMahan et al.	
D813,742 S	3/2018	McMahan et al.	D827,508 S	9/2018	Whitla et al.	
D813,743 S	3/2018	Lee	D827,510 S	9/2018	Kim	
D813,744 S	3/2018	Whitla et al.	D827,527 S	9/2018	Loeb	
D813,748 S	3/2018	Kim	D828,246 S	9/2018	Loeb	
D813,753 S	3/2018	Loeb	D828,261 S	9/2018	Moffett et al.	
D813,754 S	3/2018	Loeb	D828,935 S	9/2018	Hochmuth	
D813,755 S	3/2018	Loeb	D829,622 S	10/2018	Jacob	
			D830,241 S	10/2018	Kozub	
			D830,242 S	10/2018	Zipfel	
			D830,252 S	10/2018	Swanseger	
			D830,258 S	10/2018	McMahon et al.	

(56)

References Cited

U.S. PATENT DOCUMENTS

D830,261 S	10/2018	Jacob
D830,589 S	10/2018	Henriques
D832,752 S	11/2018	Lee
D835,003 S	12/2018	Thompson et al.
D835,012 S	12/2018	Smith et al.

* cited by examiner

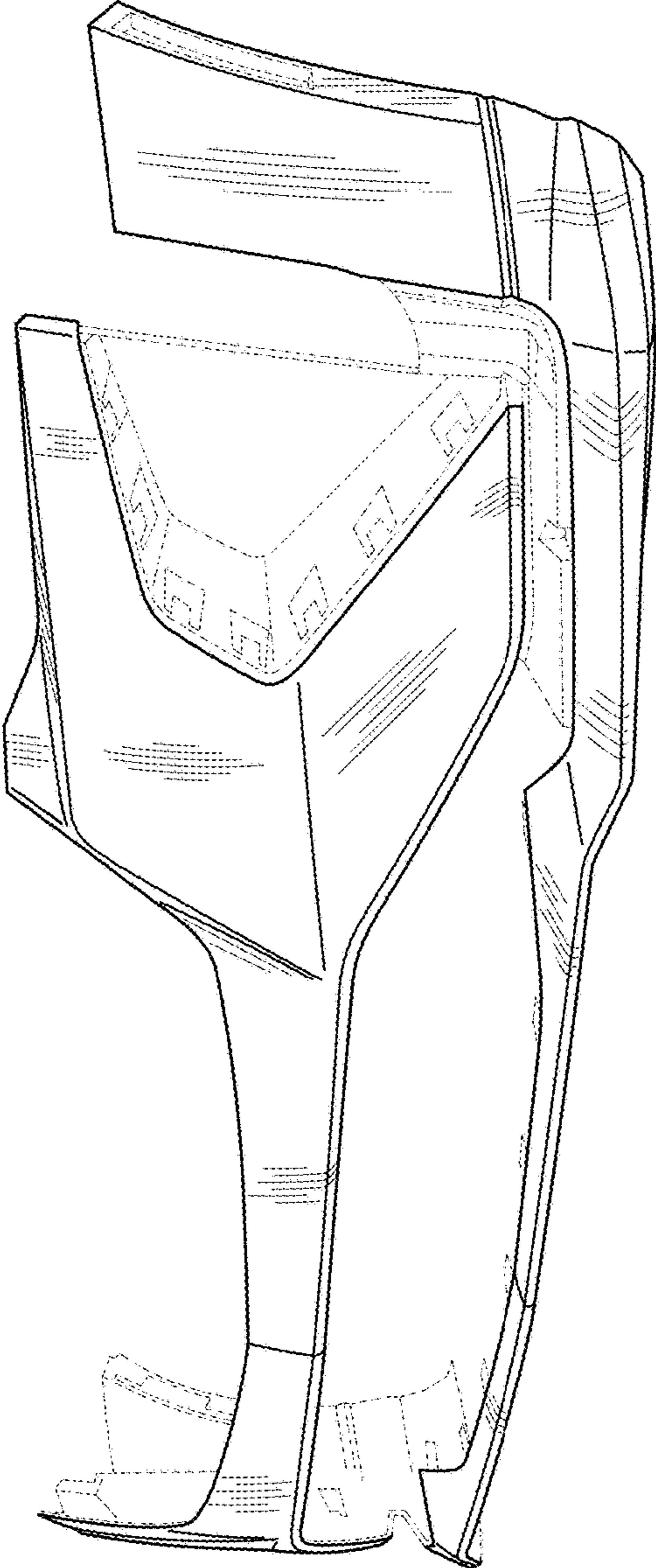


FIG-1

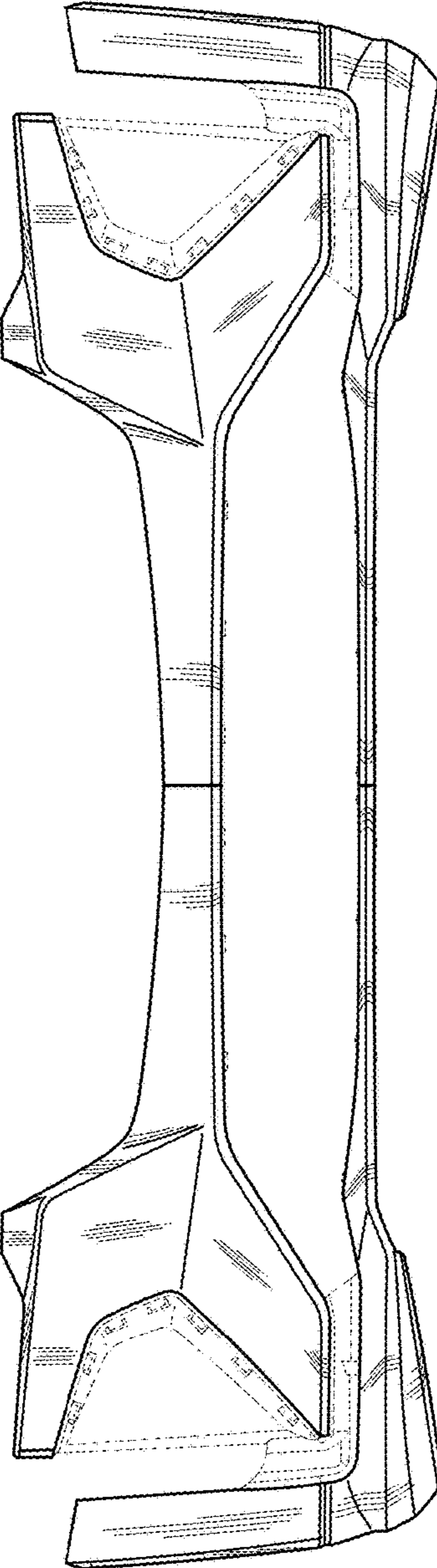


FIG - 2

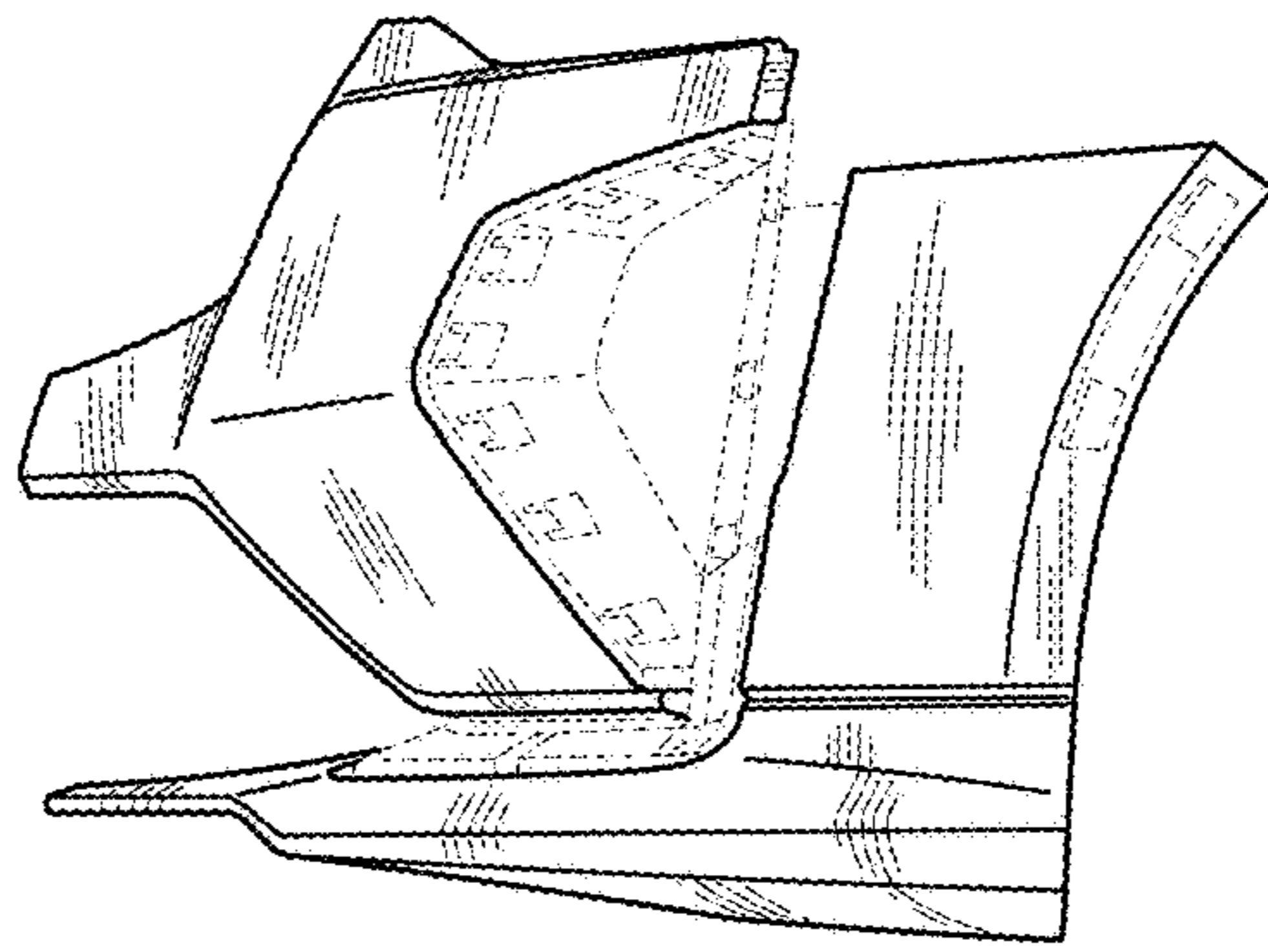


FIG - 3

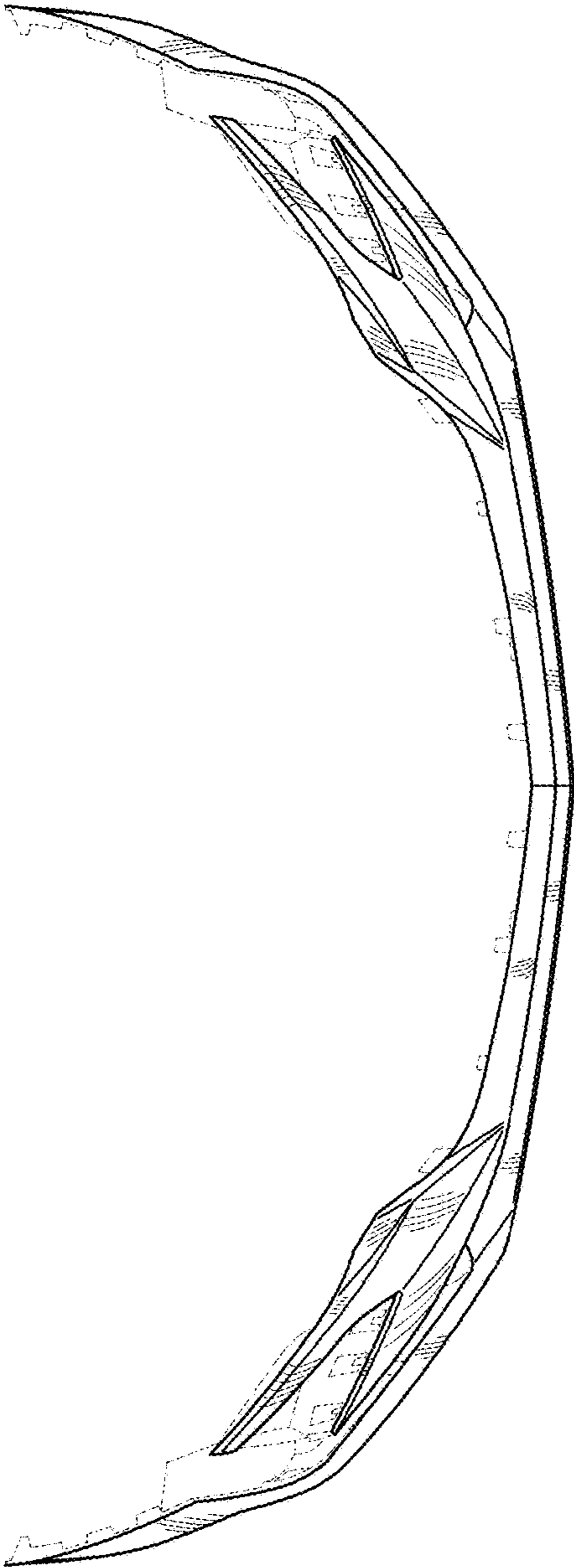


FIG - 4