

US00D860074S

(12) **United States Design Patent** (10) **Patent No.:** **US D860,074 S**
Beckles (45) **Date of Patent:** **** Sep. 17, 2019**

(54) **REAR BUMPER FOR A VEHICLE**

(71) Applicant: **Jaguar Land Rover Limited**, Whitley, Coventry (GB)

(72) Inventor: **Earl Beckles**, Coventry (GB)

(73) Assignee: **Jaguar Land Rover Limited**, Whitley, Coventry (GB)

(**) Term: **15 Years**

(21) Appl. No.: **29/615,608**

(22) Filed: **Aug. 30, 2017**

(30) **Foreign Application Priority Data**

Mar. 16, 2017 (EM) 003802479-0001
Mar. 16, 2017 (EM) 003802479-0002
Mar. 16, 2017 (EM) 003802479-0003

(51) **LOC (12) Cl.** **12-16**

(52) **U.S. Cl.**
USPC **D12/169**

(58) **Field of Classification Search**

USPC D12/86, 163, 164, 167, 169-172, 216;
D21/424, 427, 433, 483, 533, 548
CPC B60R 19/02; B60R 19/04; B60R 19/18;
B60R 19/24; B60R 19/26; B60R 19/52;
B62D 25/08; B60K 11/08

See application file for complete search history.

(56) **References Cited**

U.S. PATENT DOCUMENTS

D680,479 S * 4/2013 Frei D12/169
D784,864 S * 4/2017 Patel D12/169
D784,865 S * 4/2017 Peat D12/169
D797,615 S * 9/2017 Hatton D12/169

(Continued)

FOREIGN PATENT DOCUMENTS

CN 303150826 * 4/2015
CN 303604684 * 3/2016

(Continued)

OTHER PUBLICATIONS

https://www.greencarreports.com/news/1098104_2017-jaguar-xe-small-sport-sedan-to-offer-diesel-option-at-start May 1, 2015 (Year: 2015).*

(Continued)

Primary Examiner — Leanne Was-Englehart

(74) *Attorney, Agent, or Firm* — Wood Herron & Evans LLP

(57) **CLAIM**

The ornamental design for a rear bumper for a vehicle, as shown and described.

DESCRIPTION

FIG. 1 is a front right perspective view of a rear bumper for a vehicle according to the present invention.

FIG. 2 is a front left perspective view of the rear bumper for a vehicle shown in FIG. 1.

FIG. 3 is a rear right perspective view thereof.

FIG. 4 is a rear left perspective view thereof.

FIG. 5 is a front view thereof.

FIG. 6 is a rear view thereof.

FIG. 7 is a right side view thereof.

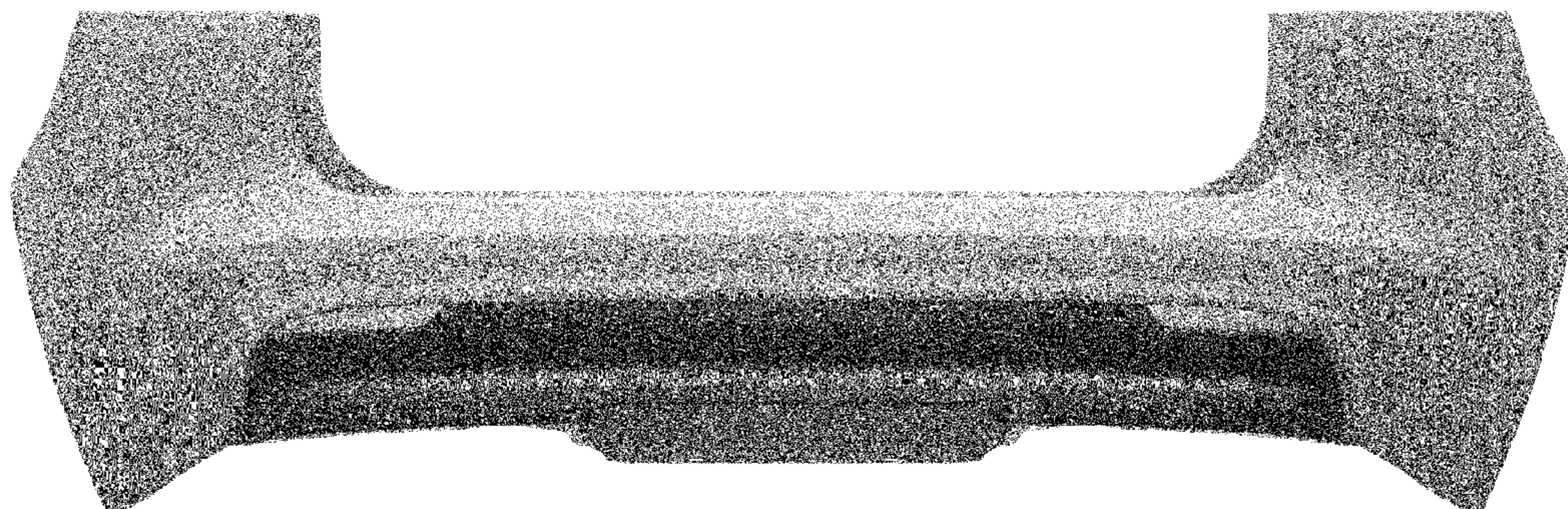
FIG. 8 is a left side view thereof.

FIG. 9 is a top view thereof.

FIG. 10 is a bottom view thereof; and,

FIG. 11 is a front right perspective view of the rear bumper shown in FIGS. 1-10, mounted on a vehicle which is shown in de-emphasized and half-tone portions so as to illustrate environmental structure. These portions form no part of the claimed invention. More particularly, in FIG. 11, the inventive rear bumper is shown within the broken line, and any elements shown outside of the broken line form no part of the claimed invention, but are instead included to show environmental aspects thereof.

1 Claim, 11 Drawing Sheets



(56)

References Cited

U.S. PATENT DOCUMENTS

D808,871	S	*	1/2018	Peat	D12/169
D813,114	S	*	3/2018	Zurian	D12/169
D824,298	S	*	7/2018	Cartabiano	D12/169
D833,343	S	*	11/2018	Patel	D12/169
D834,472	S	*	11/2018	Peat	D12/169
D838,638	S	*	1/2019	Wada	D12/169
D839,144	S	*	1/2019	Beckles	D12/164

FOREIGN PATENT DOCUMENTS

EM	002528109-0001	*	5/2016
EM	002528109-0002	*	5/2016
EM	002656330-0004	*	6/2017
EM	002656330-0005	*	6/2017
EM	002656330-0006	*	6/2017

OTHER PUBLICATIONS

<http://www.jaguarusa.com/all-models/xe/features-options/engine-technology.html> Mar. 5, 2016 (Year: 2016).*

<https://www.autocar.co.uk/car-review/jaguar/xe> Feb. 1, 2016 (Year: 2016).*

https://www.youtube.com/watch?v=XOLUu8_EnRg Apr. 30, 2015 (Year: 2015).*

* cited by examiner

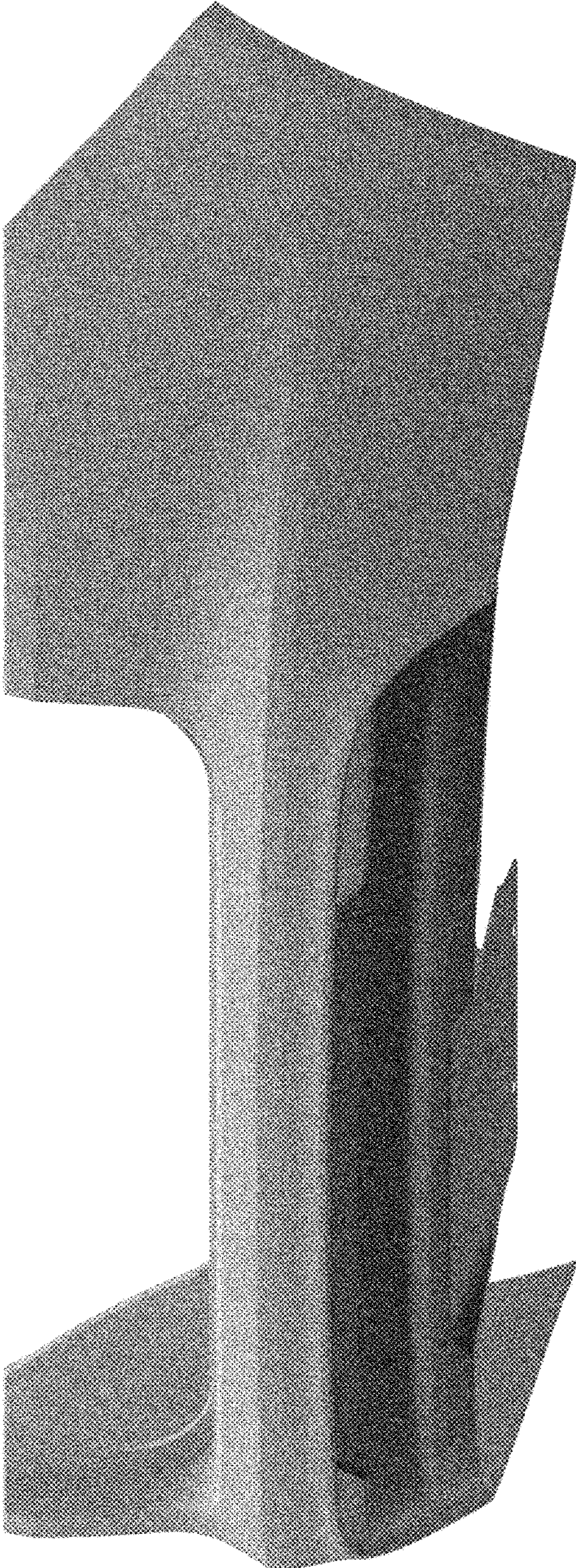


FIG. 1

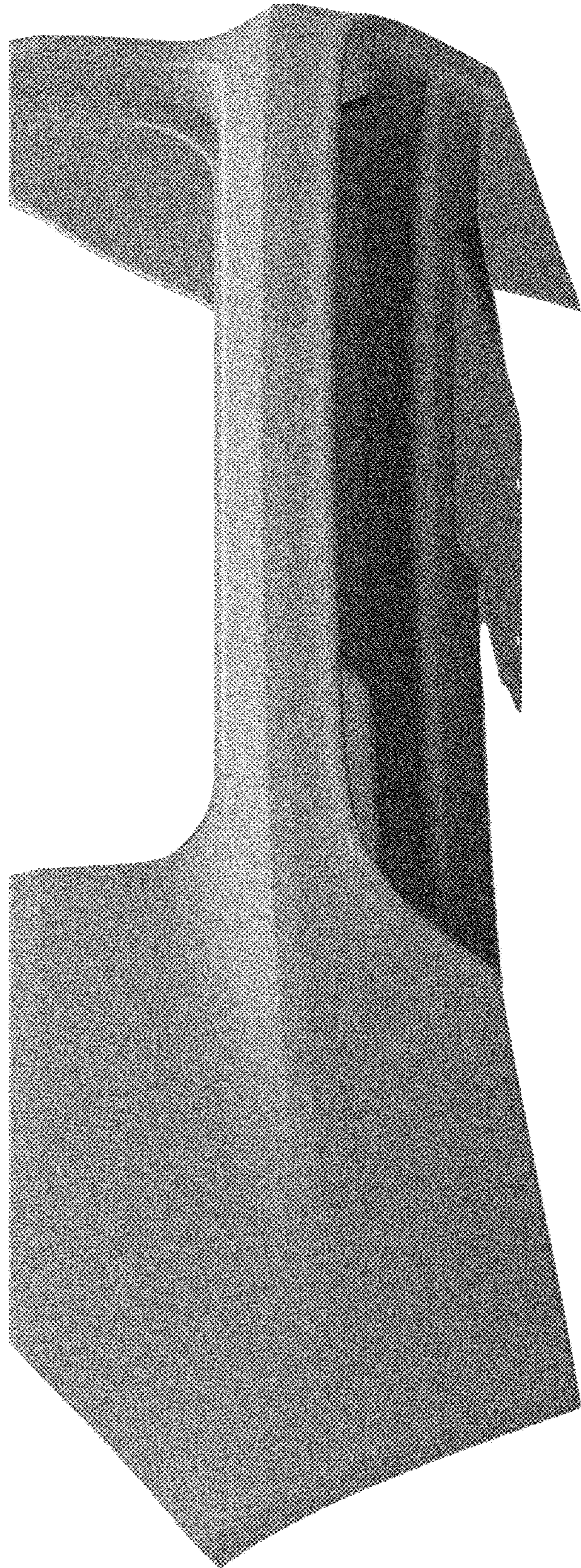


FIG. 2

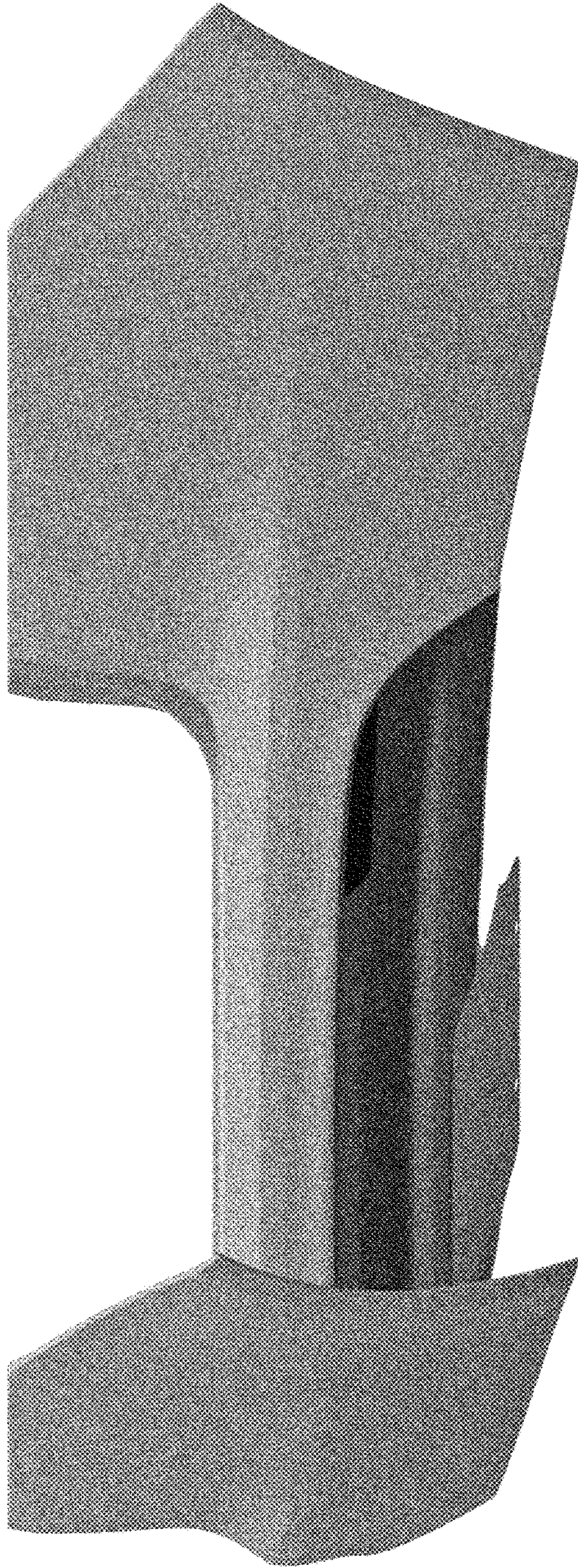


FIG. 3

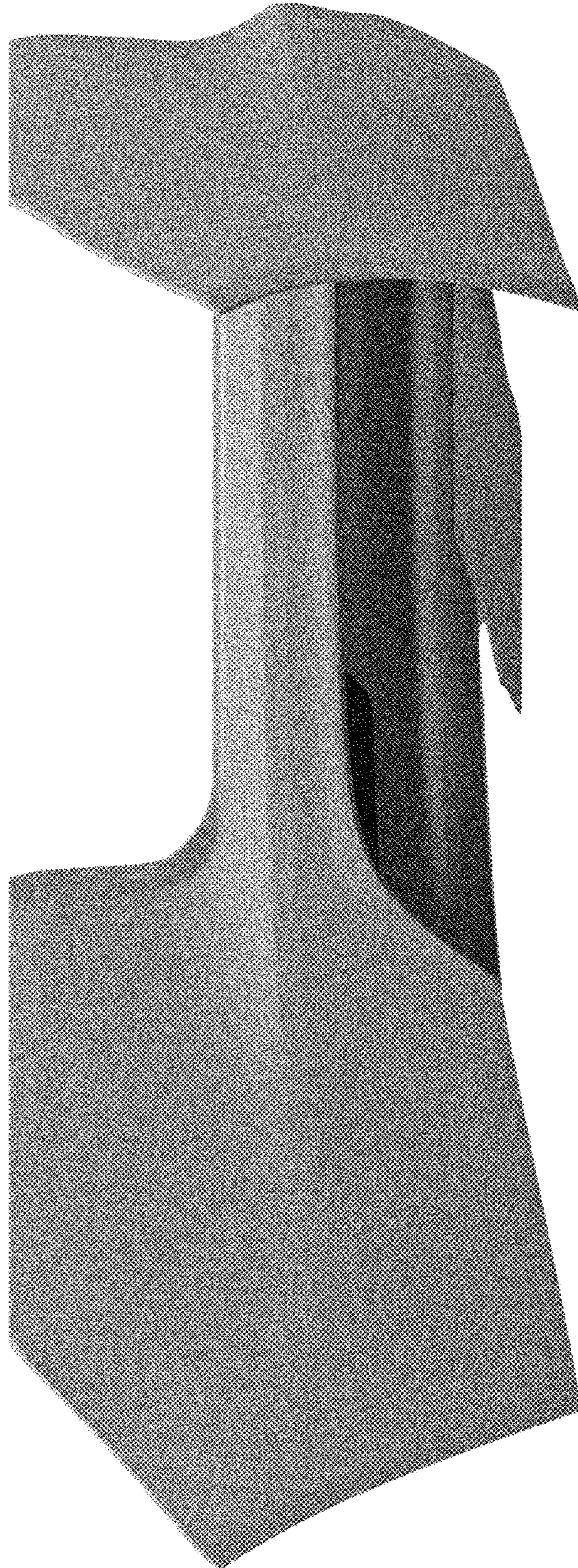


FIG. 4

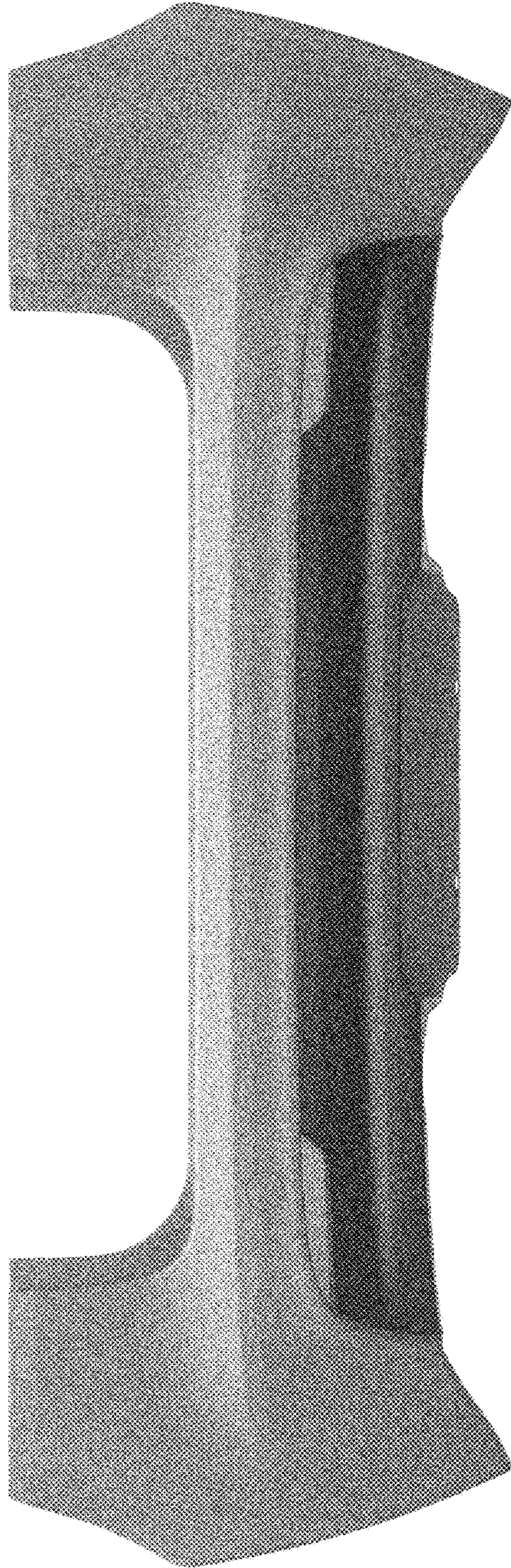


FIG. 5

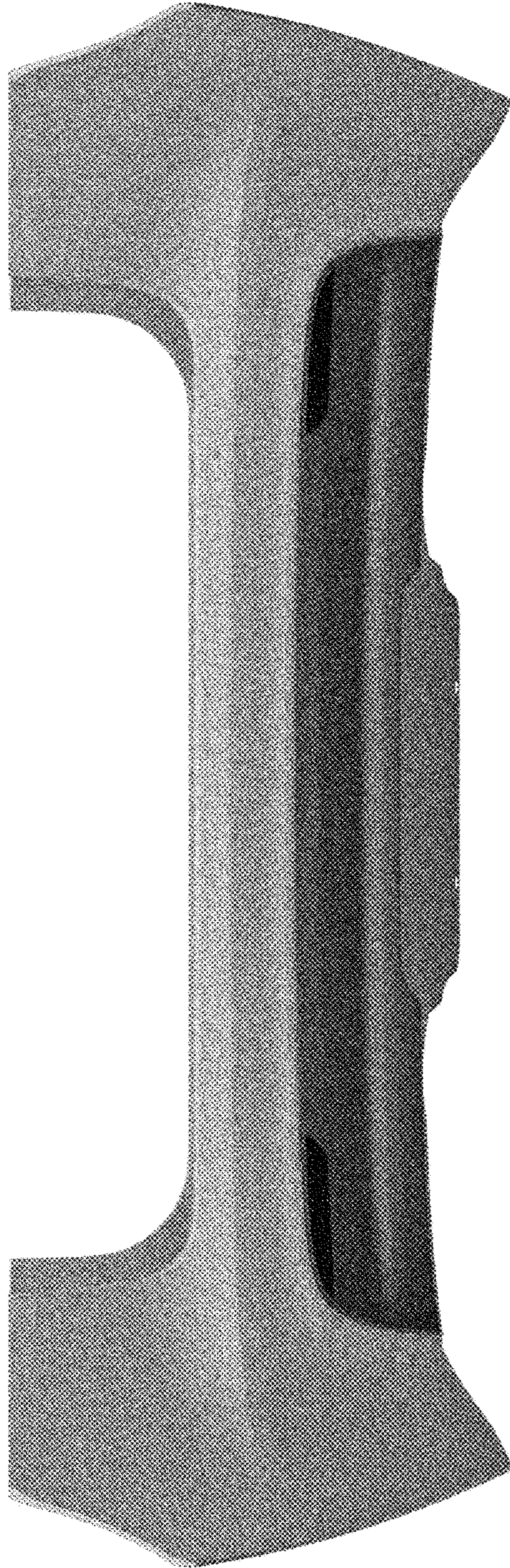


FIG. 6

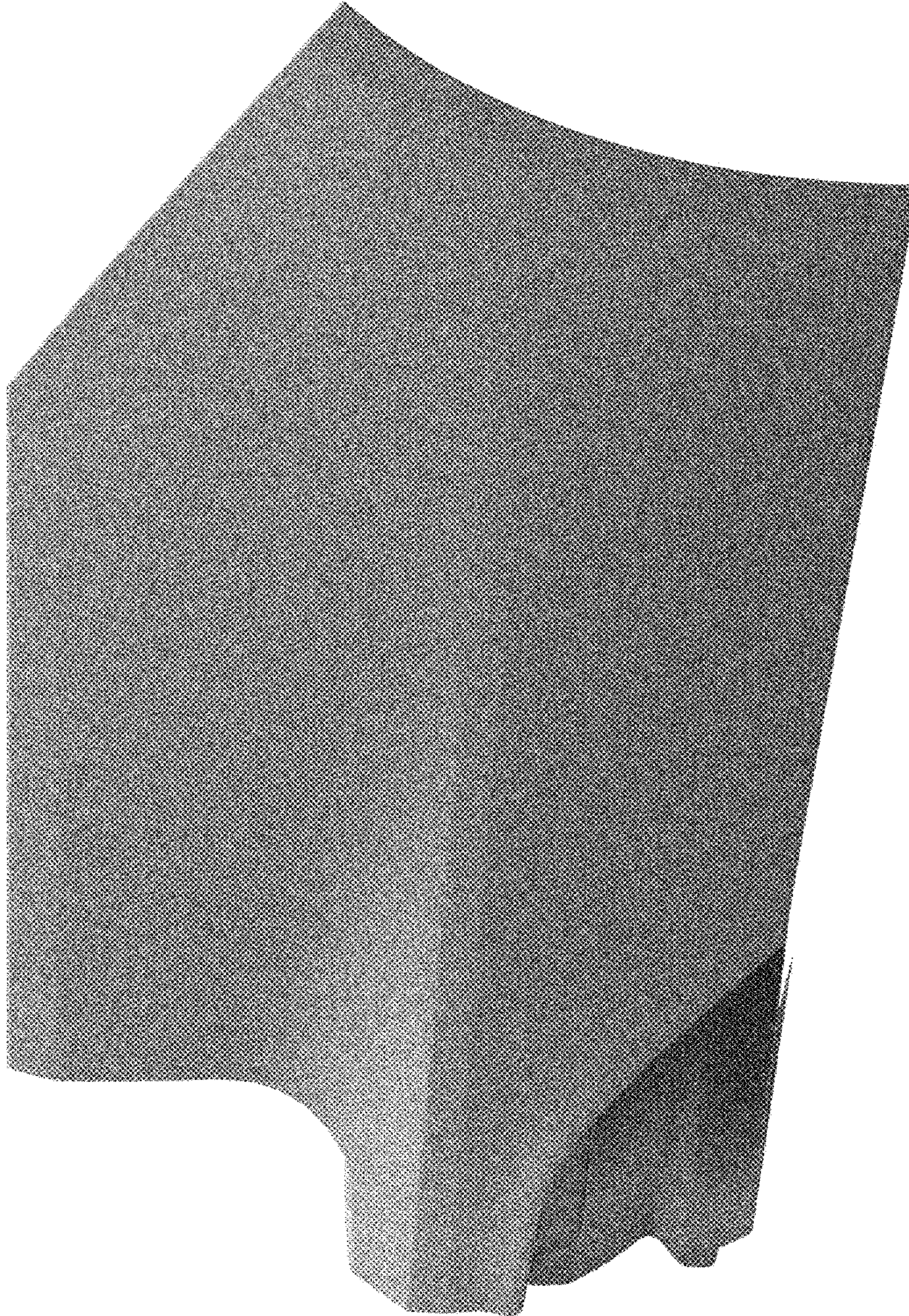


FIG. 7

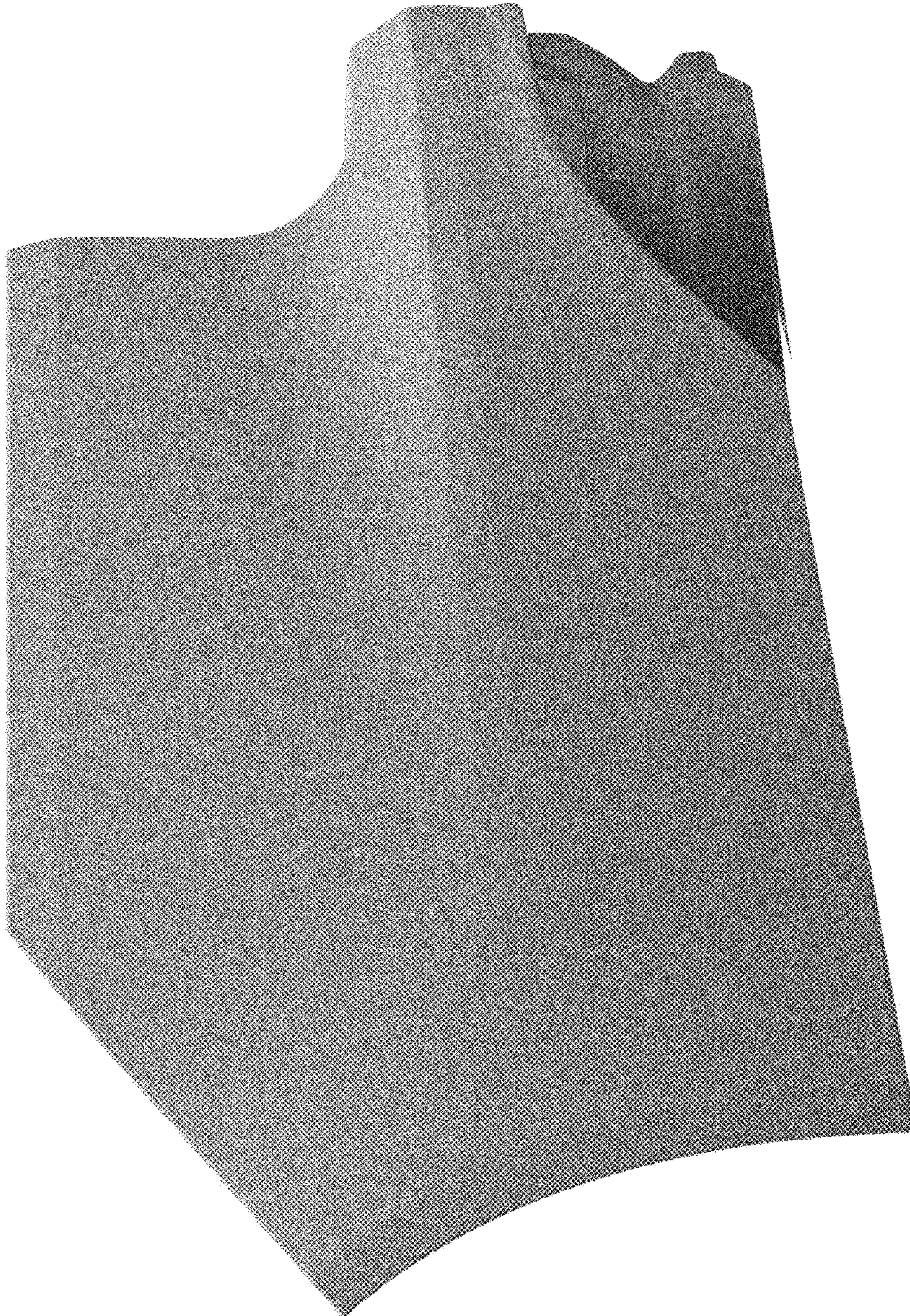


FIG. 8

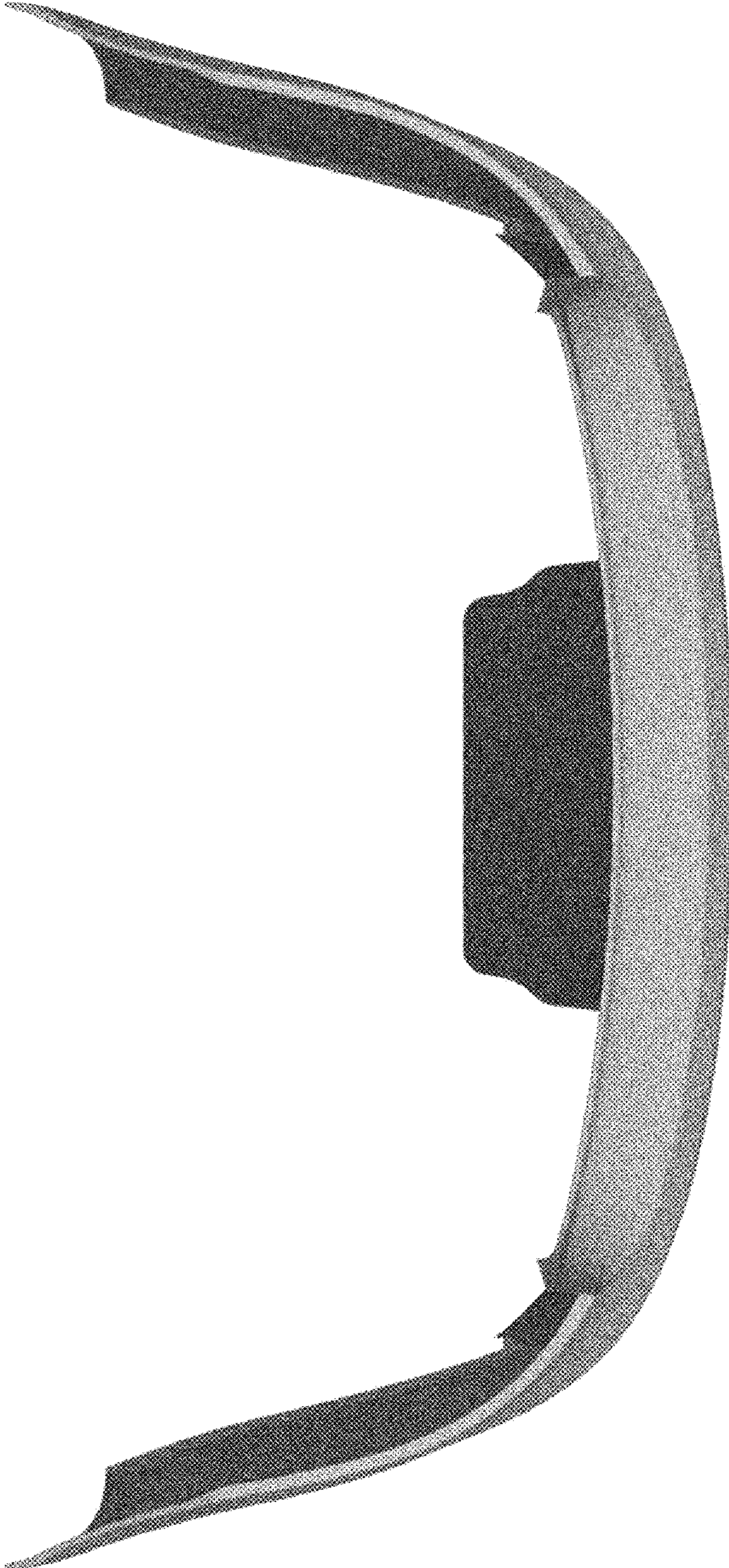


FIG. 9

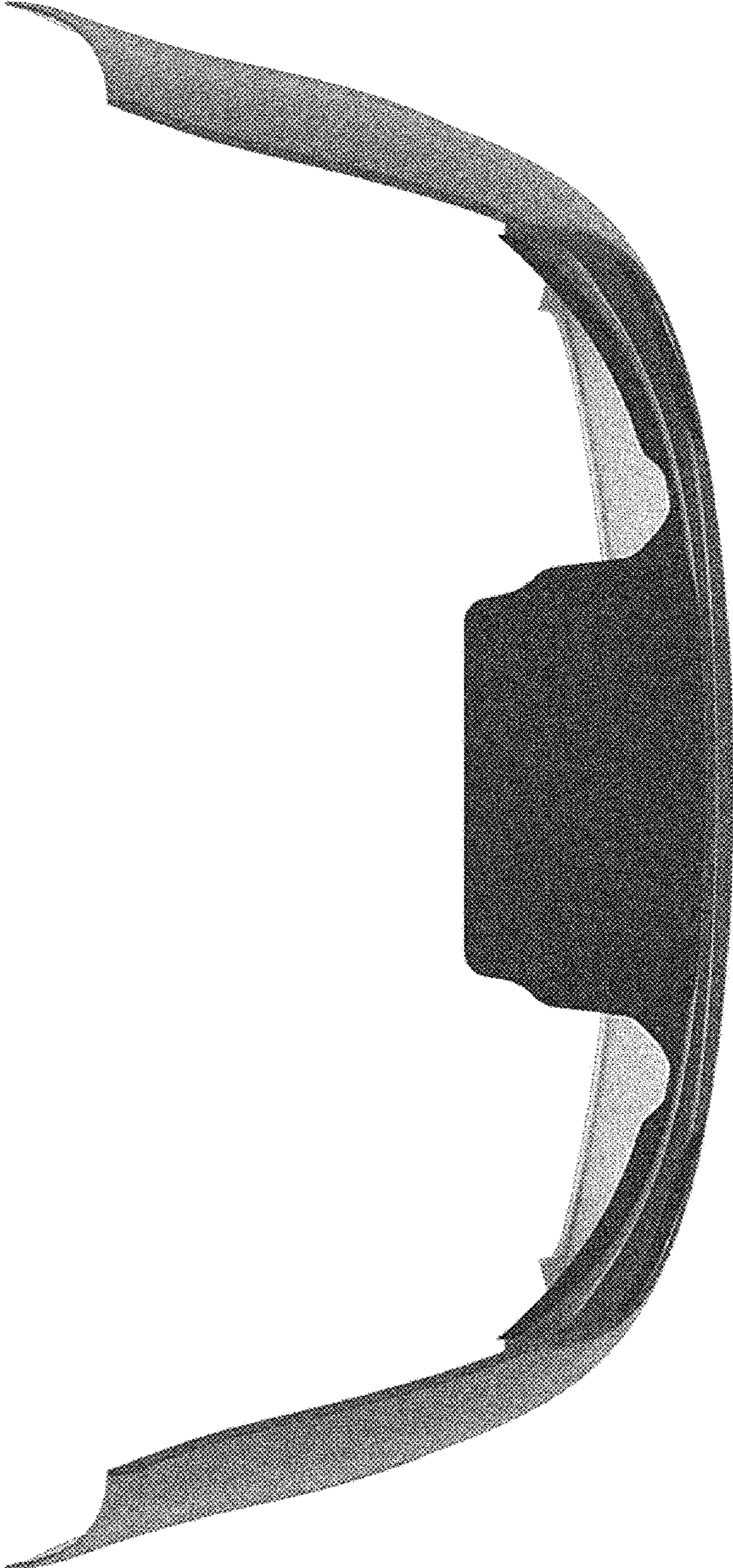


FIG. 10

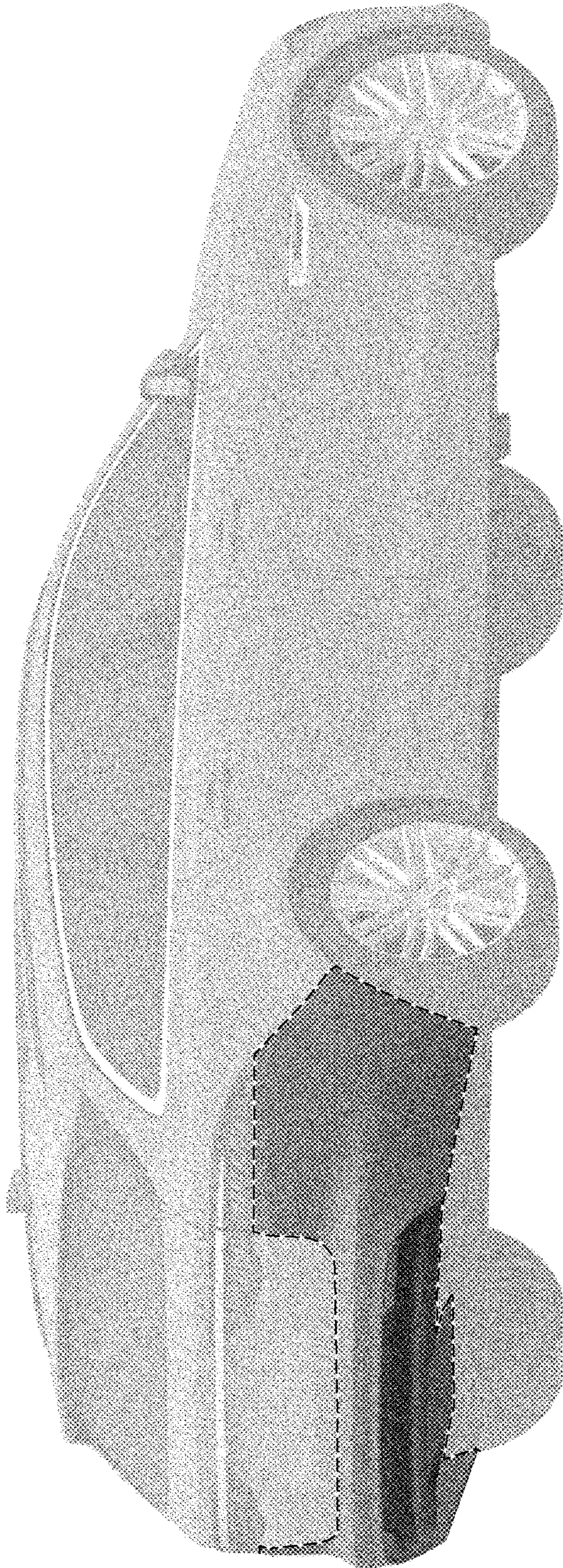


FIG. 11