



US00D860070S

(12) **United States Design Patent** (10) **Patent No.:** **US D860,070 S**
Dewitt et al. (45) **Date of Patent:** **** Sep. 17, 2019**

(54) **VEHICLE FRONT UPPER GRILLE**

(71) Applicant: **Ford Global Technologies, LLC,**
Dearborn, MI (US)

(72) Inventors: **David Dewitt,** Docklands (AU); **Todd Willing,** East Melbourne (AU); **Max Wolff,** Birmingham, MI (US); **Pedro Guarinon,** Melbourne (AU)

(73) Assignee: **Ford Global Technologies, LLC,**
Dearborn, MI (US)

(**) Term: **15 Years**

(21) Appl. No.: **29/632,606**

(22) Filed: **Jan. 9, 2018**

(51) **LOC (12) Cl.** **12-16**

(52) **U.S. Cl.**
USPC **D12/163**

(58) **Field of Classification Search**
USPC D12/163, 164, 165, 166, 167, 168, 169,
D12/170, 171, 172, 173, 181
CPC B60K 11/08; B62L 39/16; B60R 19/50;
B62D 25/08
See application file for complete search history.

(56) **References Cited**

U.S. PATENT DOCUMENTS

2,854,104	A	*	9/1958	Marcy, Jr.	B21D 47/005 52/666
D496,890	S	*	10/2004	Metros	D12/163
D589,853	S	*	4/2009	Saridakis	D12/163
D668,590	S	*	10/2012	Furst	D12/163
D670,214	S	*	11/2012	Watanabe	D12/163
D682,752	S	*	5/2013	Yoshida	D12/163
D721,019	S	*	1/2015	Pevovar	D12/163
D736,123	S	*	8/2015	Hammoud	D12/163
D754,037	S	*	4/2016	Behmer	D12/163
D758,928	S	*	6/2016	Messale	D12/163

D759,551	S	*	6/2016	Nakahara	D12/163
D763,152	S	*	8/2016	Frascella	D12/190
D766,782	S	*	9/2016	Arroba	D12/163
D769,159	S	*	10/2016	Platto	D12/163
D769,160	S	*	10/2016	Platto	D12/163
D773,963	S	*	12/2016	Battams	D12/163
D774,996	S	*	12/2016	Wheel	D12/163
D774,997	S	*	12/2016	Wheel	D12/163
D774,998	S	*	12/2016	Munakata	D12/163
D775,554	S	*	1/2017	Kapitonov	D12/163
D776,020	S	*	1/2017	Kapitonov	D12/163
D781,188	S	*	3/2017	Wolff	D12/163
D783,465	S	*	4/2017	Choi	D12/163
D786,145	S	*	5/2017	Kozub	D12/163
D788,654	S	*	6/2017	Curic	D12/163

(Continued)

Primary Examiner — Susan Bennett Hattan

Assistant Examiner — Suzanne E Tisdell

(74) *Attorney, Agent, or Firm* — LeClairRyan

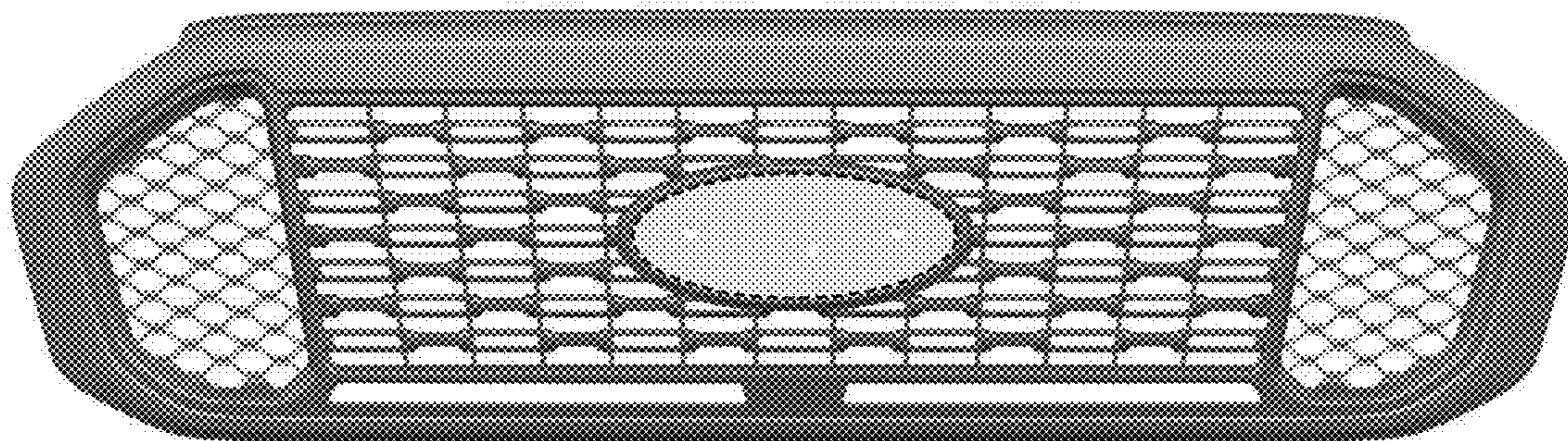
(57) **CLAIM**

The ornamental design for a vehicle front upper grille, as shown and described.

DESCRIPTION

FIG. 1 is a front elevational view of a vehicle front upper grille, showing our new design;
 FIG. 2 is a left side elevational view thereof;
 FIG. 3 is a right side elevational view thereof;
 FIG. 4 is a top plan view thereof;
 FIG. 5 is a bottom plan view thereof;
 FIG. 6 is a top, front, and left side perspective view thereof;
 and,
 FIG. 7 is a bottom, front, and left side perspective view thereof.
 The broken lines depict the boundary of the claimed design and form no part of the claimed design. Portions of the vehicle shown in half-tone shading depict environmental subject matter and likewise form no part of the claimed design.

1 Claim, 7 Drawing Sheets



(56)

References Cited

U.S. PATENT DOCUMENTS

D788,655 S *	6/2017	Curic	D12/163
D789,841 S *	6/2017	Malczewski	D12/163
D789,844 S *	6/2017	Sakai	D12/163
D789,845 S *	6/2017	Oohashi	D12/163
D790,412 S *	6/2017	Dunford	D12/163
D790,413 S *	6/2017	Doyle	D12/164
D792,813 S *	7/2017	Kozub	D12/163
D792,814 S *	7/2017	Kozub	D12/163
D793,290 S *	8/2017	Kozub	D12/163
D793,918 S *	8/2017	Kozub	D12/163
D794,517 S *	8/2017	Woolley	D12/163
2016/0031395 A1 *	2/2016	Huang	B62D 25/12 180/68.1

* cited by examiner

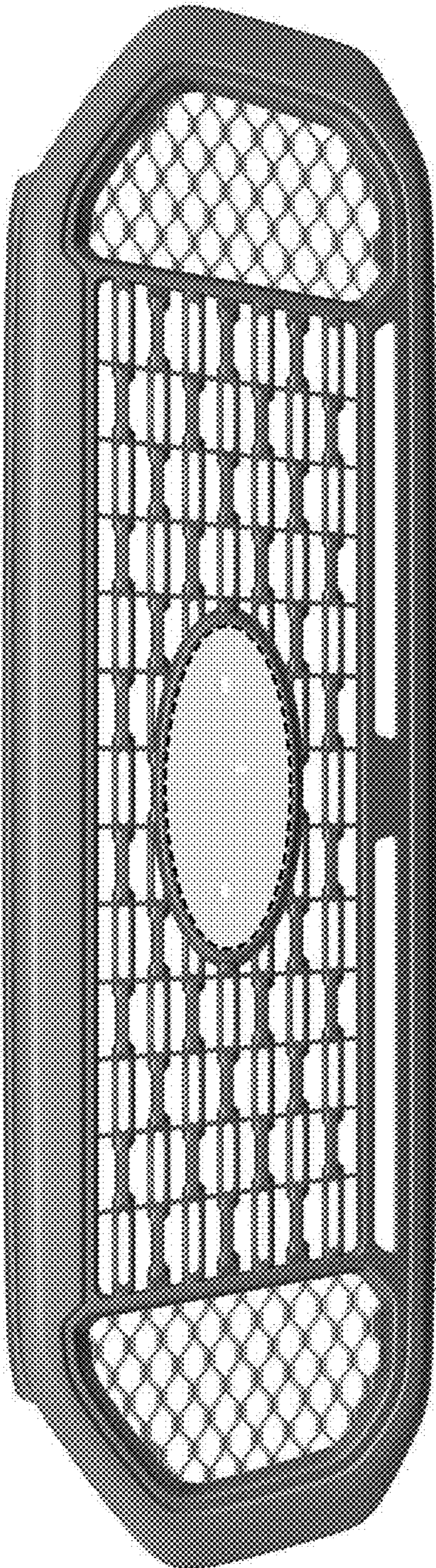


Fig. 1

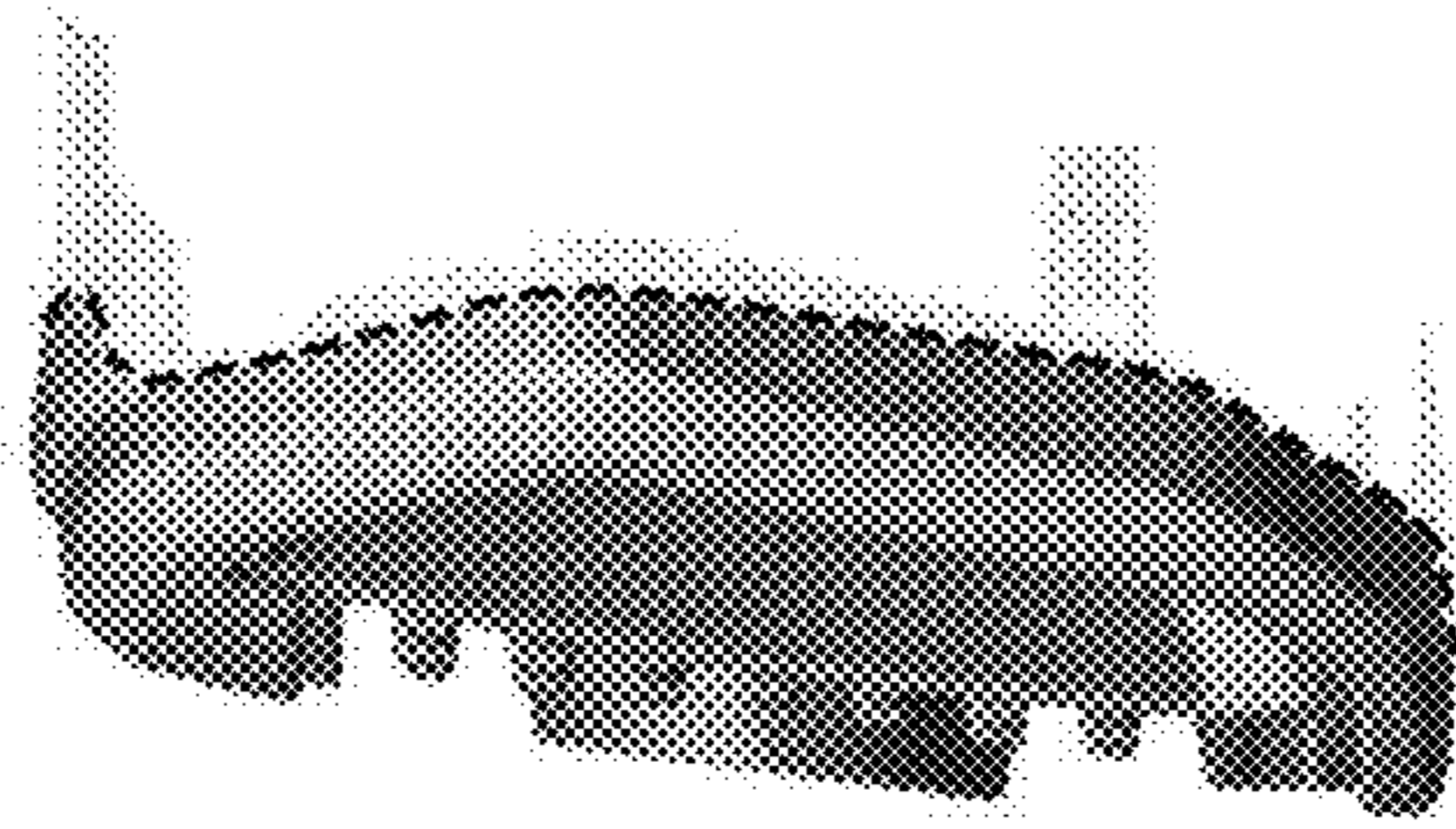


Fig. 2

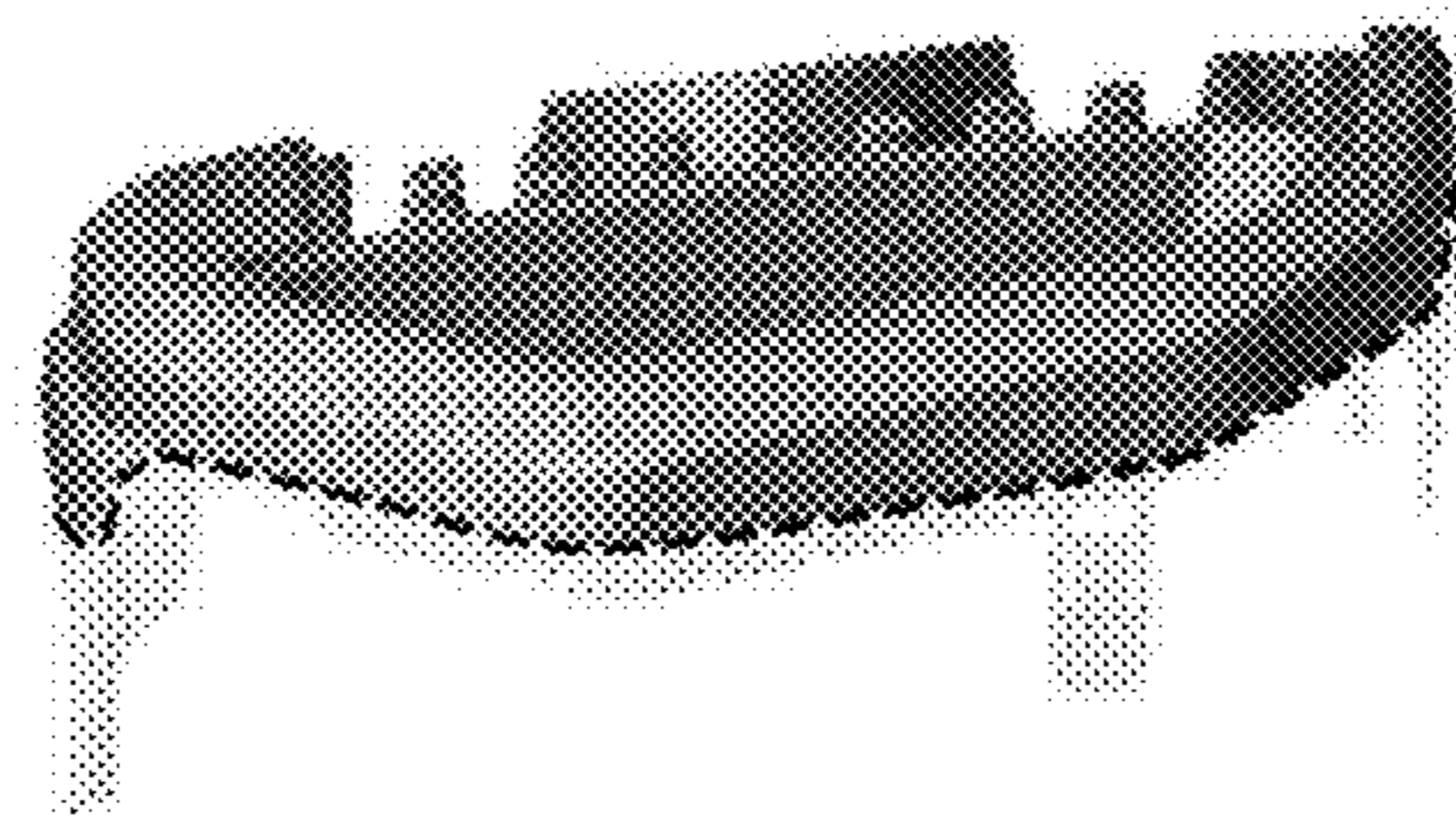


Fig. 3

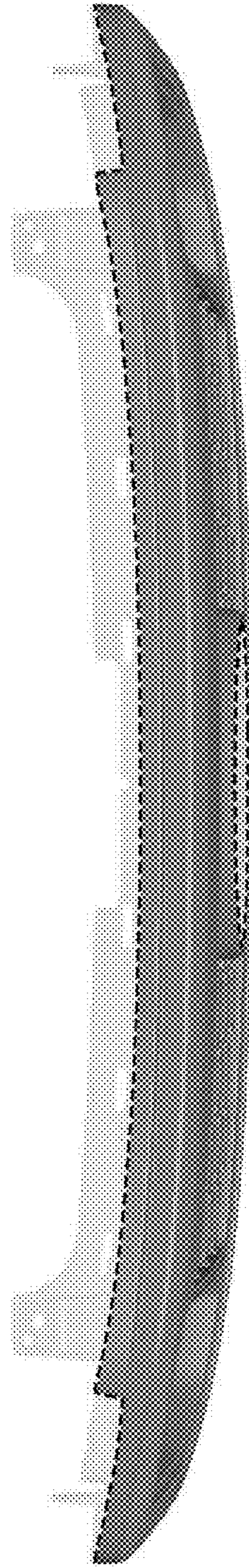
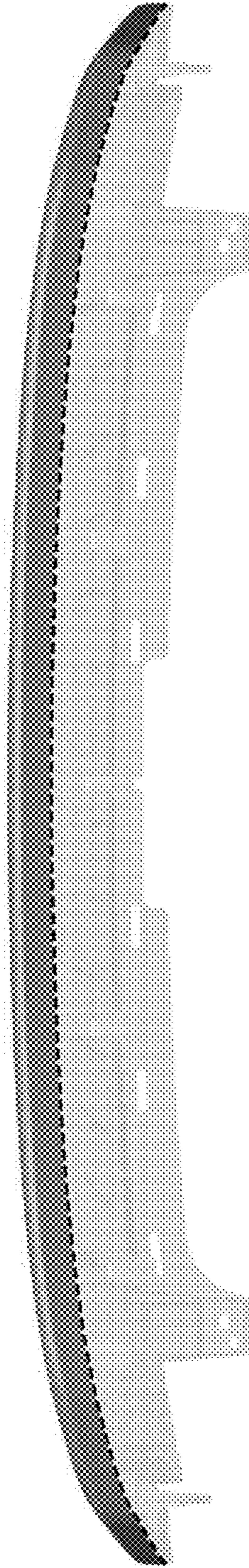


Fig. 4

Fig. 5



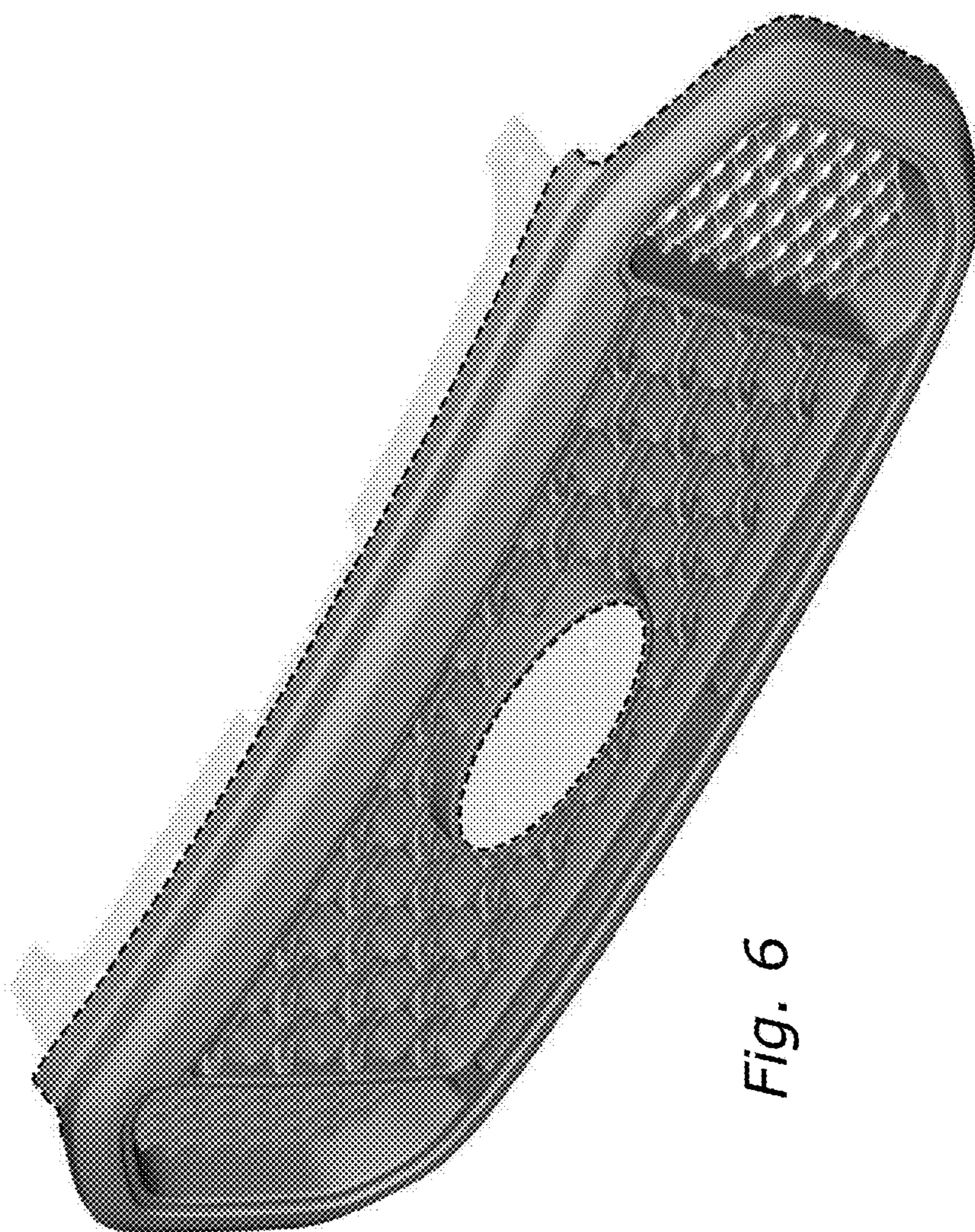


Fig. 6

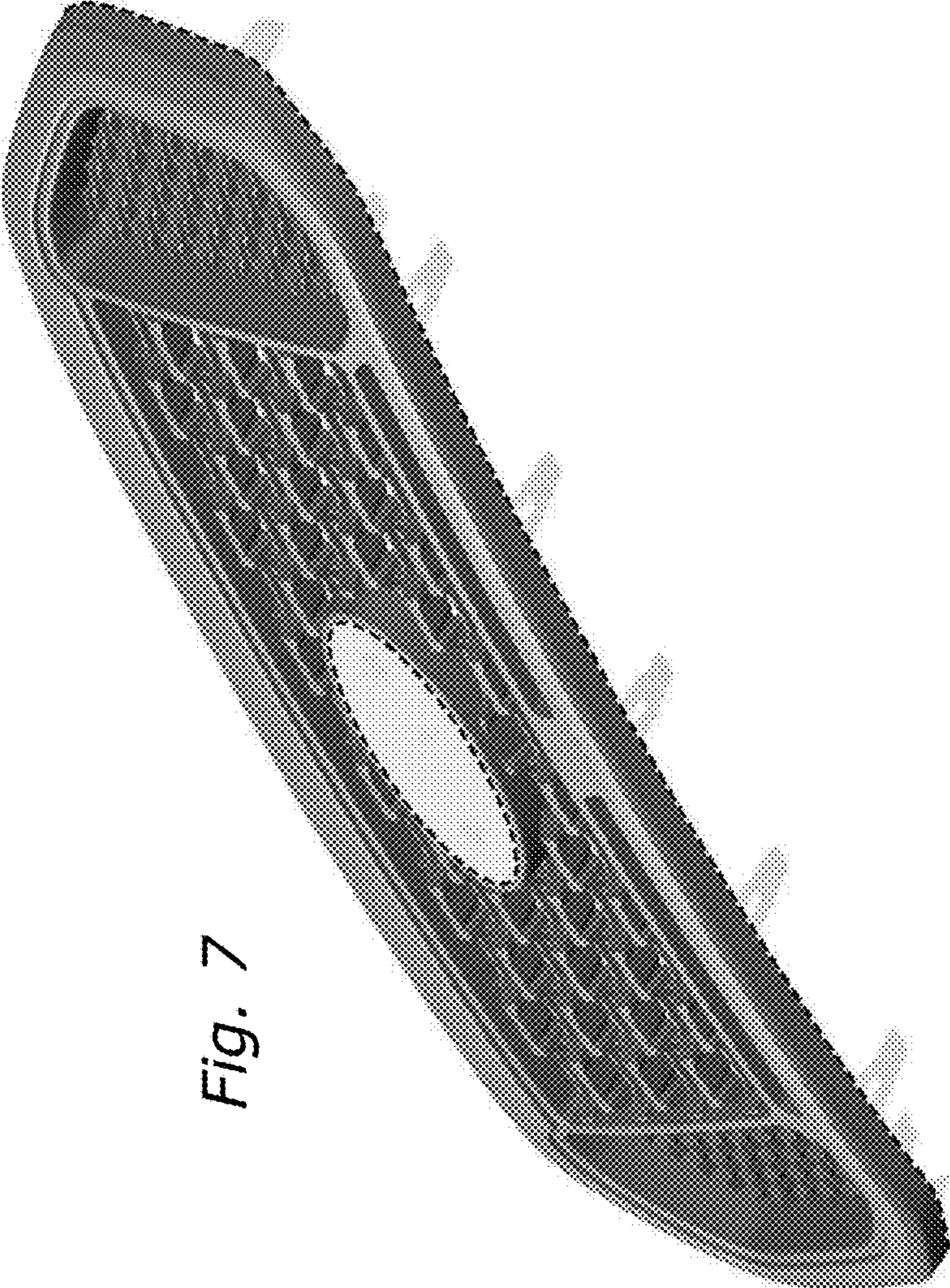


Fig. 7