



US00D860069S

(12) **United States Design Patent**
Tovey et al.

(10) **Patent No.:** **US D860,069 S**
(45) **Date of Patent:** **** Sep. 17, 2019**

(54) **VEHICLE GRILLE**

(71) Applicant: **Jaguar Land Rover Limited**, Whitley, Coventry (GB)

(72) Inventors: **Simon Tovey**, Coventry (GB); **Anthony Peat**, Coventry (GB)

(73) Assignee: **Jaguar Land Rover Limited**, Whitley, Coventry (GB)

(**) Term: **15 Years**

(21) Appl. No.: **29/625,151**

(22) Filed: **Nov. 7, 2017**

(30) **Foreign Application Priority Data**

May 11, 2017 (EM) 003997089

(51) **LOC (12) Cl.** **12-16**

(52) **U.S. Cl.**
USPC **D12/163**

(58) **Field of Classification Search**
USPC D12/86, 90-92, 98, 163, 169, 196, 216
CPC .. B60R 19/52; B60R 2019/525; B60K 11/085
See application file for complete search history.

(56) **References Cited**

U.S. PATENT DOCUMENTS

- D539,194 S * 3/2007 Moses D12/163
- D551,145 S * 9/2007 Canitano D12/196
- 7,290,809 B2 * 11/2007 Filip B60R 19/52
180/68.6
- D725,007 S * 3/2015 Beaven D12/164
- D777,065 S * 1/2017 Patel D12/163

(Continued)

OTHER PUBLICATIONS

<https://www.cars.com/articles/2019-jaguar-i-pace-first-drive-pace-car-for-fun-in-an-electric-suv-1420700765150/> Jul. 19, 2018 (Year: 2018).*

<http://www.carbuyer.com.sg/test-drives/jaguar-i-pace-review-singapore-price-ev/> Jun. 15, 2018 (Year: 2018).*

Primary Examiner — Leanne Was-Englehart
(74) *Attorney, Agent, or Firm* — Wood Herron & Evans LLP

(57) **CLAIM**

The ornamental design for a vehicle grille, as shown and described.

DESCRIPTION

FIG. 1 is a front right perspective view of a vehicle grille according to the present invention.

FIG. 2 is a front left perspective view of the vehicle grille shown in FIG. 1.

FIG. 3 is a rear left perspective view thereof.

FIG. 4 is a rear right perspective view thereof.

FIG. 5 is a front view thereof.

FIG. 6 is a rear view thereof.

FIG. 7 is a left side view thereof.

FIG. 8 is a right side view thereof.

FIG. 9 is a top view thereof.

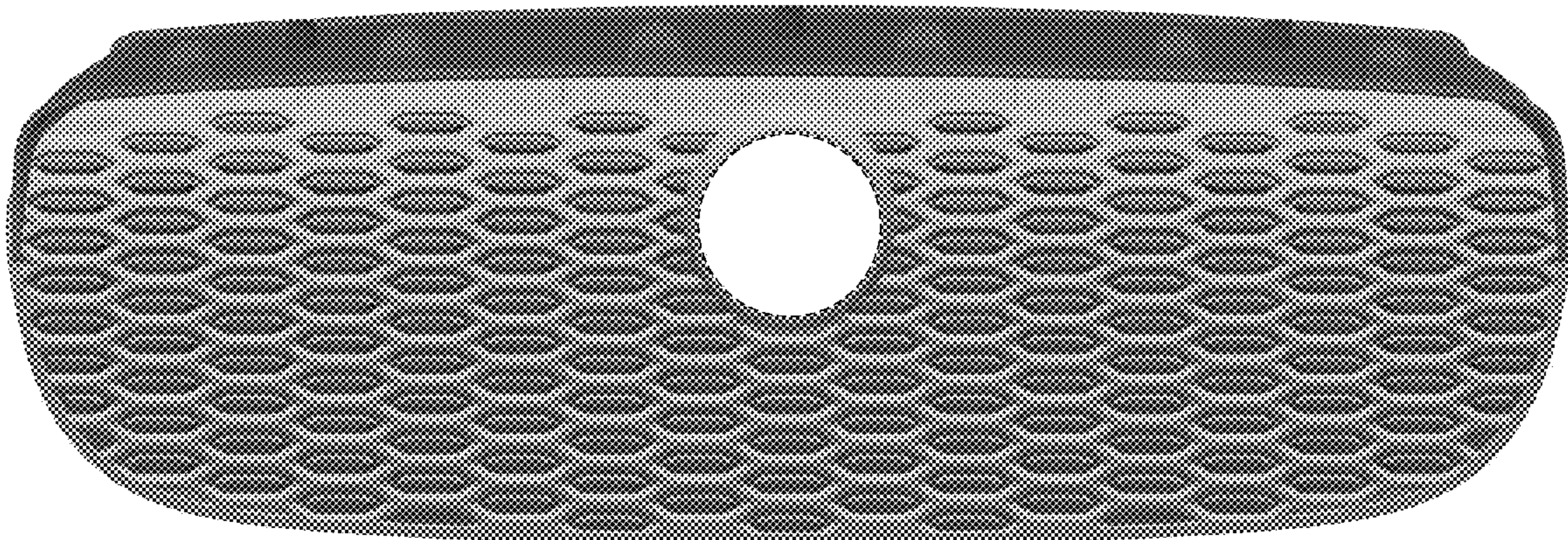
FIG. 10 is a bottom view thereof; and,

FIG. 11 is a front right view of the vehicle grille shown in FIGS. 1-10, with the vehicle grille mounted on a vehicle, and the rest of the vehicle shown in de-emphasized and half-tone portions to illustrate environmental structure, which portions form no part of the claimed invention.

More particularly, in FIG. 11, the inventive vehicle grille is shown within the broken line, and the elements shown outside the broken line form no part of the claimed invention, but are instead included to show environmental aspects thereof.

In FIG. 11, the smaller broken line located inside the grille, in a circular badge shape, represents an unclaimed boundary and forms no part of the claimed design. This smaller broken line is also included in FIGS. 1, 2, 5, and 9, for the same reasons.

1 Claim, 11 Drawing Sheets



(56)

References Cited

U.S. PATENT DOCUMENTS

D779,396 S	*	2/2017	Patel	D12/169
D784,215 S	*	4/2017	Peat	D12/169
D803,109 S	*	11/2017	Carter	D12/163
D807,797 S	*	1/2018	Peat	D12/163
D832,160 S	*	10/2018	Peat	D12/169

* cited by examiner



FIG. 1

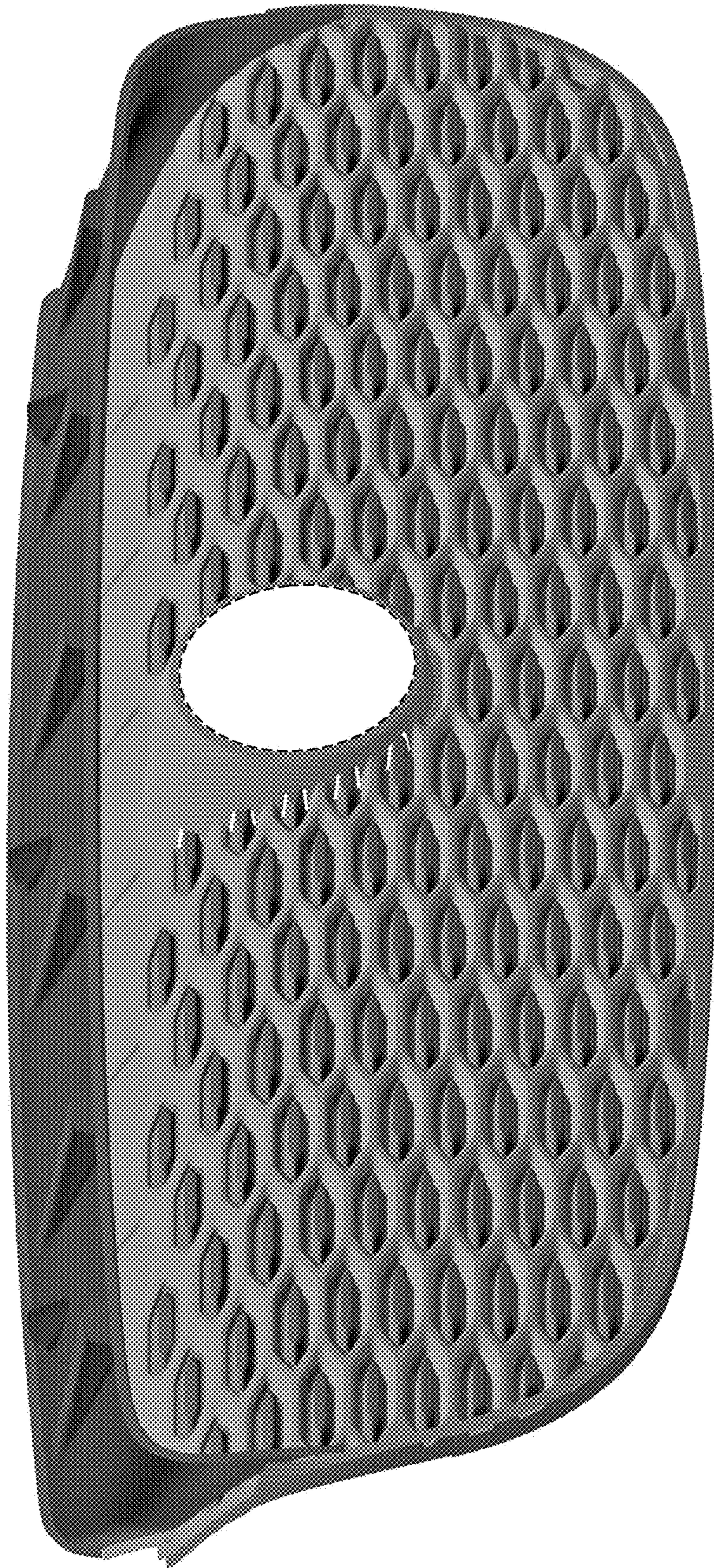


FIG. 2

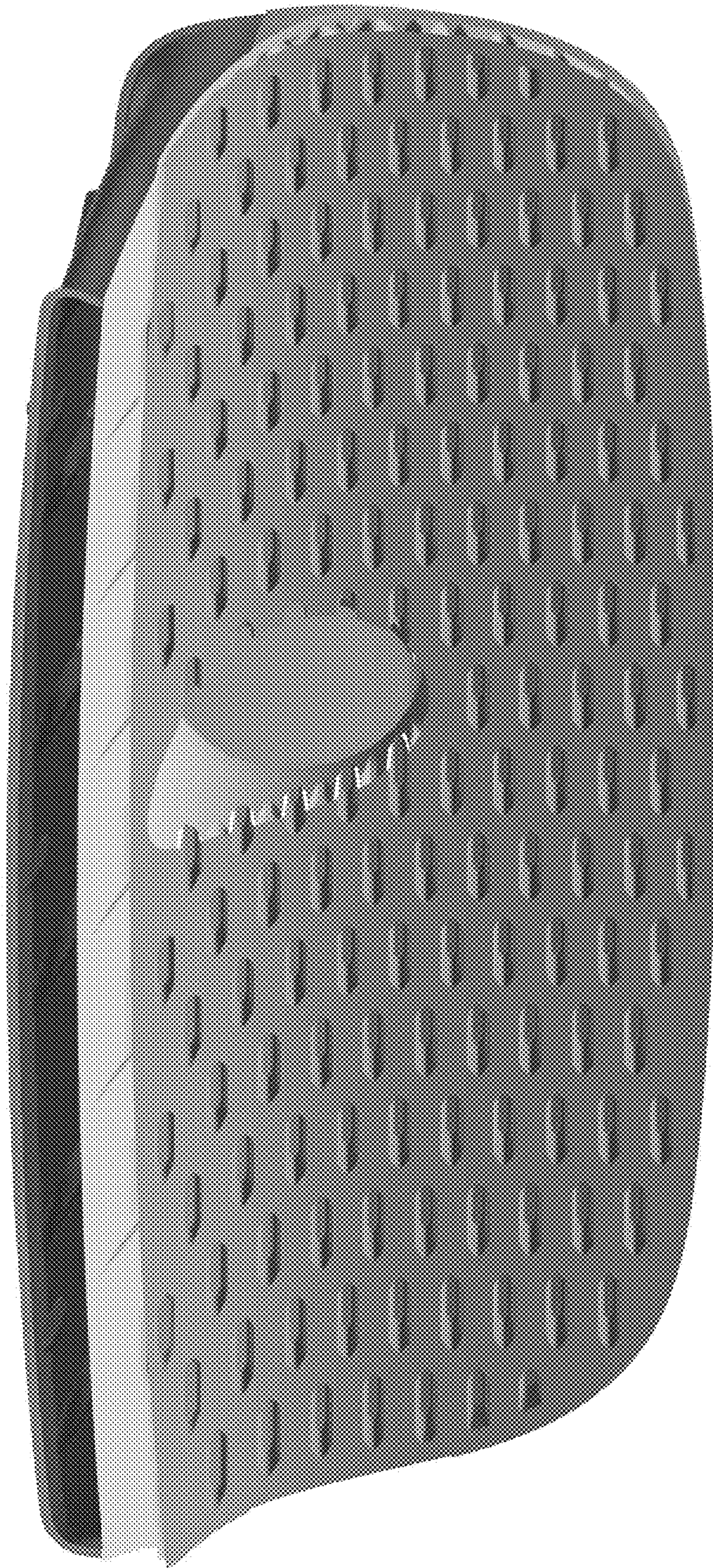


FIG. 3



FIG. 4

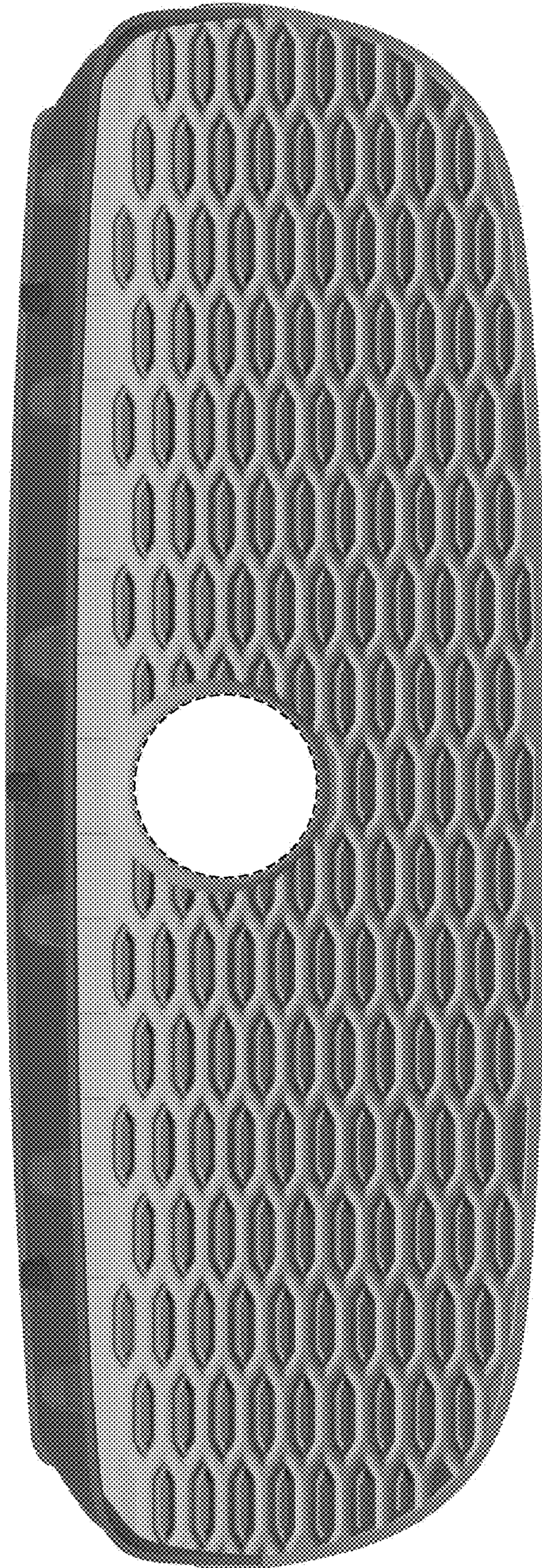


FIG. 5



FIG. 6

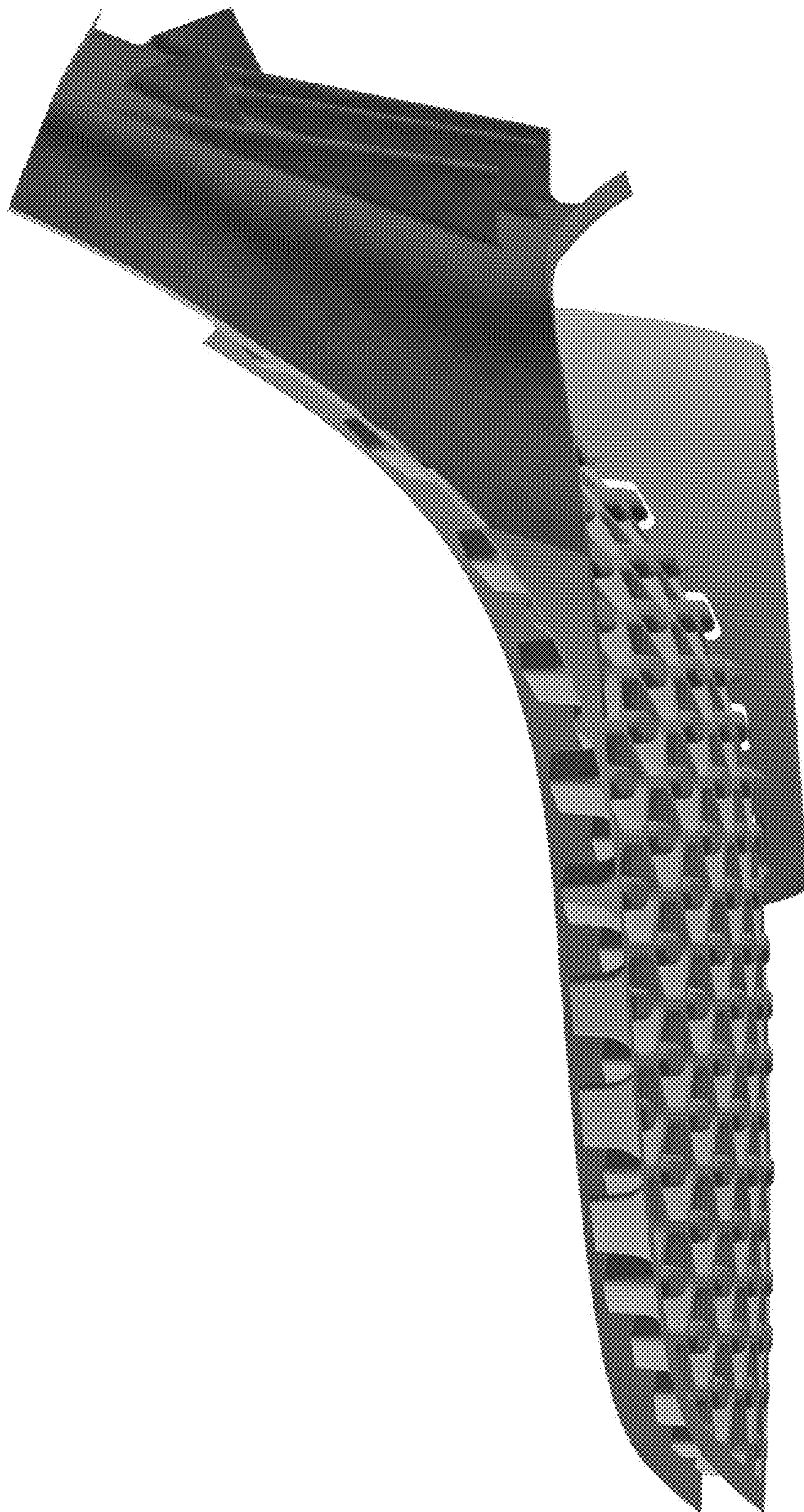


FIG. 7

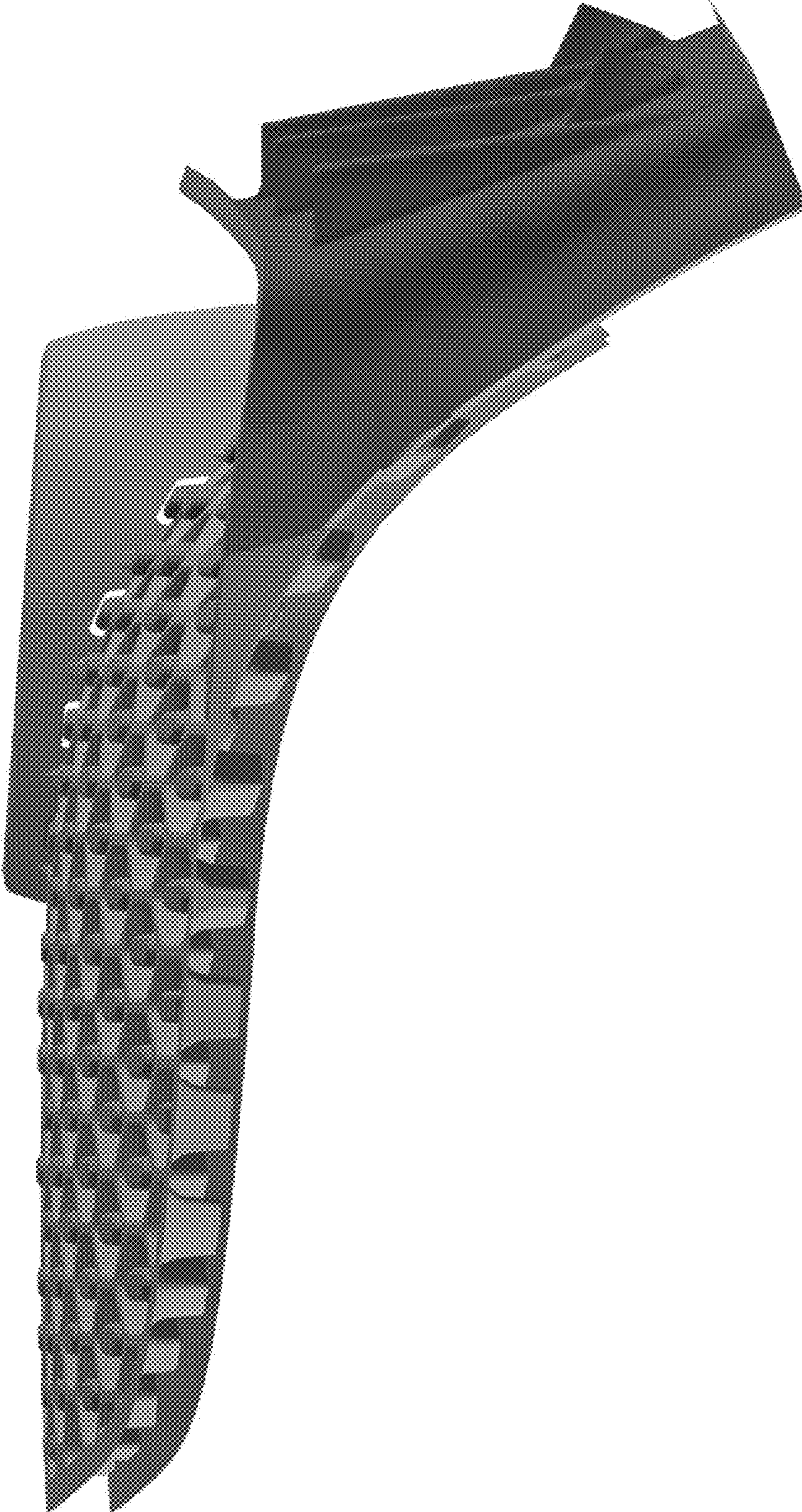


FIG. 8

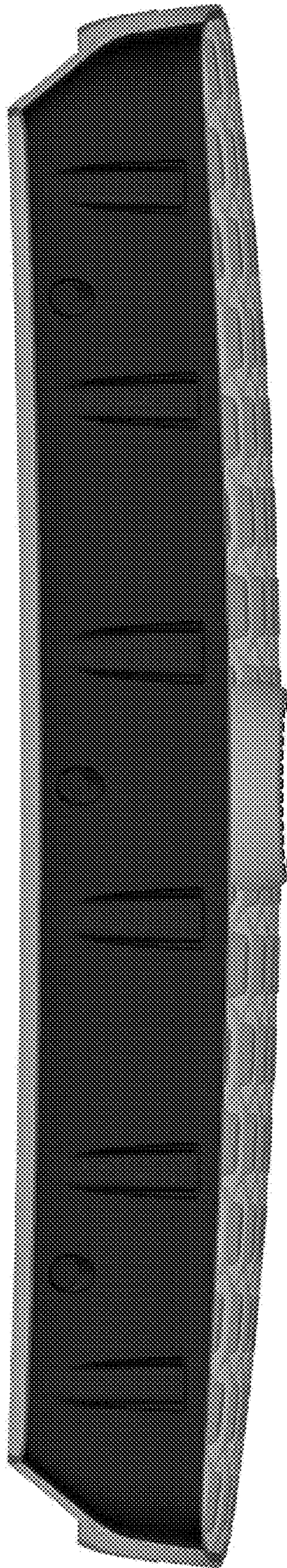


FIG. 9

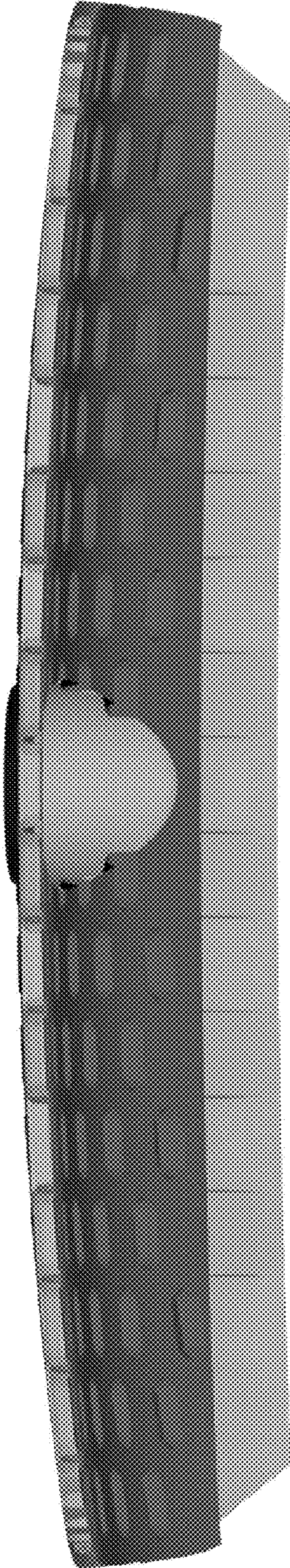


FIG. 10

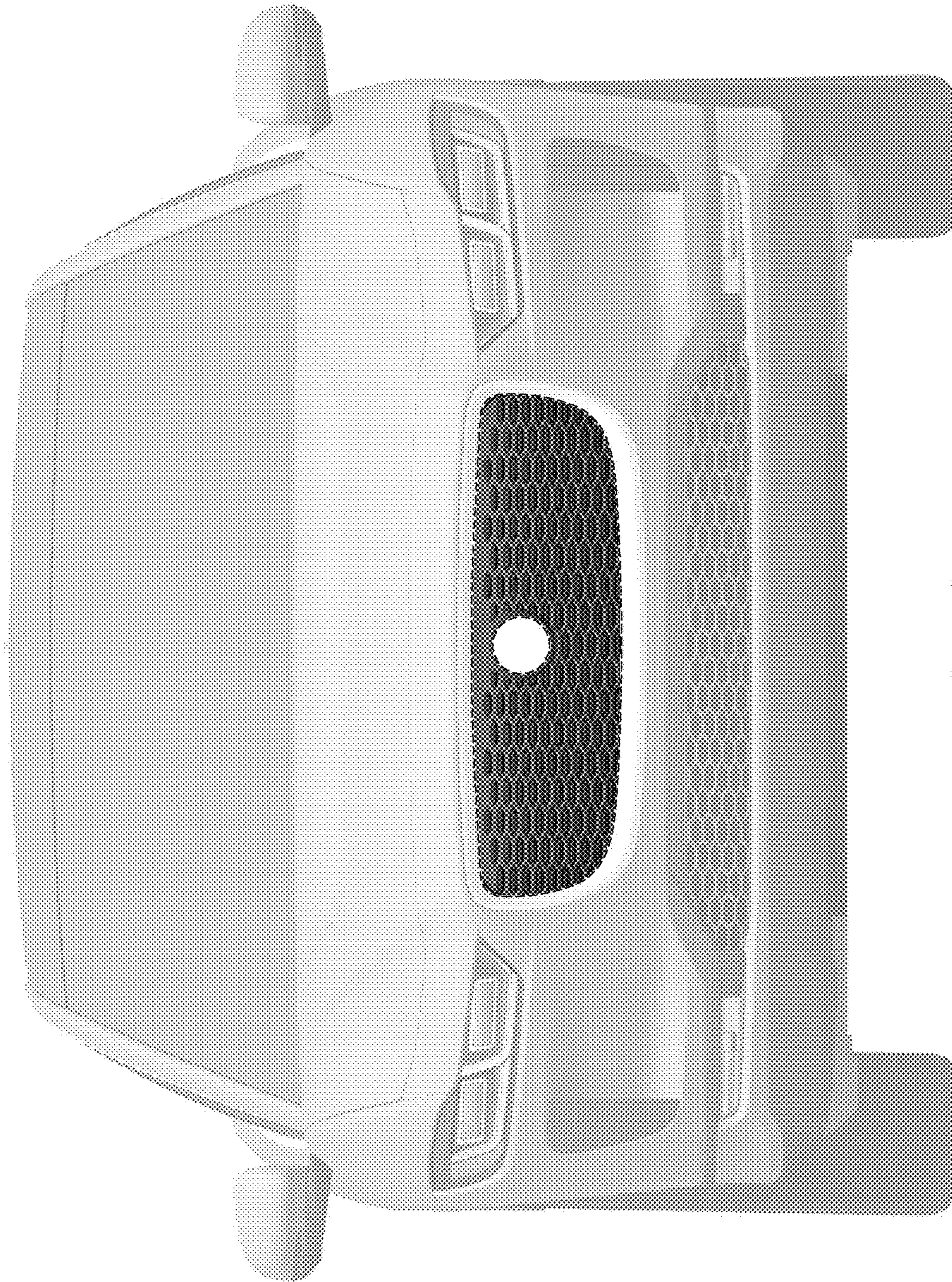


FIG. 11